

TECHNICAL MANUAL

EQUIPMENT DATA SHEETS

FOR

TACOM

COMBAT AND TACTICAL

EQUIPMENT

EQUIPMENT CLASS

1450

2310

2320

2330

2350

HEADQUARTERS, DEPARTMENT OF THE ARMY

10 JUNE 1985

TECHNICAL MANUAL

NO. 43-0001-31

HEADQUARTERS
DEPARTMENT OF THE ARMY
WASHINGTON, DC, 10 June 1985

EQUIPMENT DATA SHEETS

FOR

TACOM

COMBAT AND TACTICAL

EQUIPMENT

EQUIPMENT CLASS

1450

2310

2320

2330

2350

REPORTING ERRORS AND RECOMMENDING IMPROVEMENTS

You can help improve this manual. If you find any mistakes, or if you know of a way to improve the procedures, please let us know. Mail your letter, DA Form 2028 (Recommended Changes to Publications and Blank Forms), or DA Form 2028-2 located in the back of this manual direct to: Commander, U.S. Army Tank-Automotive Command, ATTN: AMSTA-MB, Warren, MI 48397-5000. A reply will be furnished to you.

TABLE OF CONTENTS

	Page
Chapter 1 INTRODUCTION	1-1
Chapter 2 GUIDED MISSILE SYSTEMS (CLASS 1450).	2-1
Chapter 3 TRUCK AMBULANCE (CLASS 2310).	3-1
Chapter 4 TRUCK AND TRUCK TRACTORS (CLASS 2320).	4-1
Chapter 5 DOLLY AND DOLLY SET (CLASS 2330).	5-1
Chapter 6 SEMITRAILERS (CLASS 2330).	6-1
Chapter 7 TRAILERS (CLASS 2330).	7-1
Chapter 8 COMBAT CARRIERS, TANKS, SELF-PROPELLED WEAPONS (CLASS 2350)..	8-1
INDEX NATIONAL STOCK NUMBER (NSN) TO LINE ITEM NUMBER (LIN)	NL-1
INDEX LINE ITEM NUMBER (LIN) TO NATIONAL STOCK NUMBER (NSN).	LN-1

* This manual together with TM 43-0001-32, 10 June 1985, supersedes TM 43-0001.31, 10 July 1978.

Chapter 1

INTRODUCTION

Purpose

This manual is a reference hand book published as an aid in planning training, familiarization, and identification of US Army Tank-Automotive Command equipment. It is not to be used as authorization for requisitioning, stockage, or issue of this material.

Scope

a. For each item of material, there is an illustration and description together with characteristics and related data. Included in the related data are National stock number (NSN), kind of item, and type classification.

b. Actual weights, dimensions, etc., for storage and shipment data, may vary somewhat from the average or representative values shown. For official purposes, the corresponding values pub-

lished in the specific Technical Manual series should be used.

c. Information concerning supply, operation, and maintenance of the items will be found in the publications referenced for those items. A complete listing of these publications is maintained in DA Pam 310 series indexes.

d. Within the manual, items of materiel are grouped by classes, one chapter being devoted to each class.

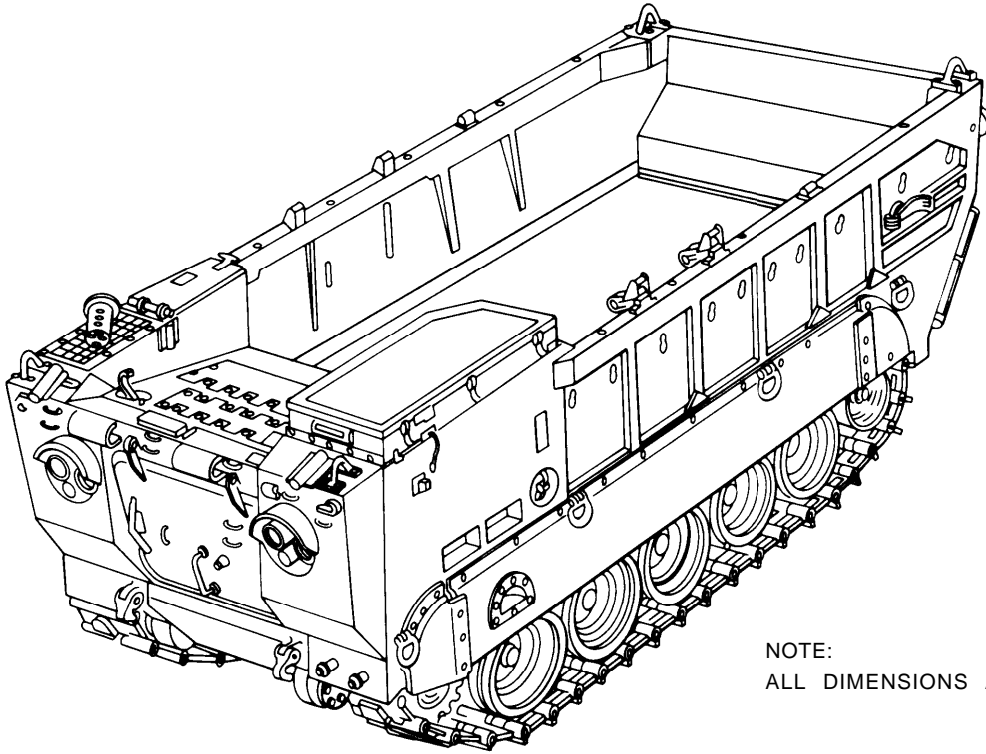
e. Some data was not available at the time of publication. As this data becomes available, it will be added by changes to this publication.

f. The National Stock Number (NSN), and Line Item Number (LIN) indexes, provide a quick reference for those pieces of equipment that are easily recognizable by NSN or LIN.

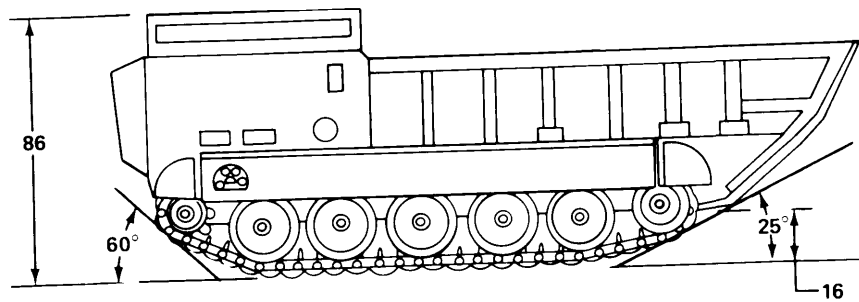
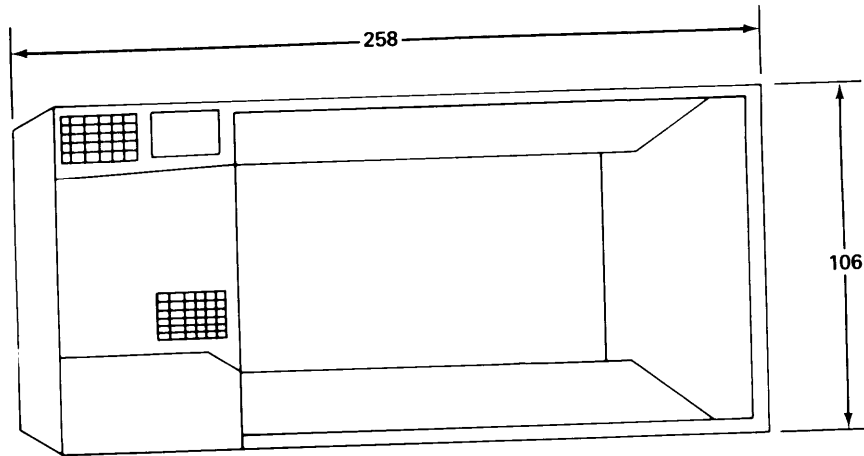
g. Refer to AR 70-61 dated August 1978 for explanation of classification codes.

Chapter 2**GUIDED MISSILE SYSTEMS (CLASS 1450)**

Type	Model	Page
CARRIER, GUIDED MISSILE EQUIPMENT: Self-Propelled, Lance	M667	2-3
CARRIER, GUIDED MISSILE EQUIPMENT: Self-Propelled	M730/A1	2-5
CARRIER, GUIDED MISSILE EQUIPMENT: Self-Propelled, Tow	M113A1/A2	2-7/(2-8 blank)



NOTE:
ALL DIMENSIONS ARE IN INCHES



TA208812

PURPOSE: Basic vehicle used as a cargo carrier, a self-propelled launcher, or a loader-transporter for the Lance guided-missile system.

GENERAL INFORMATION

Nomenclature: CARRIER, GUIDED
MISSILE EQUIPMENT: Self-Propelled,
Lance
Model Number: M667
NSN: 1450-00-879-3380
LIN: L76750
SSN:
TM: 9-1450-485-Series

CHARACTERISTICS

Engine: GM Diesel, 6V-53
Type: V-6, Two Stroke Diesel
Horsepower: 210 bhp @ 2,800 rpm
Transmission: Allison, TX100-1
Type: Automatic
Ranges: Fwd 3 Rev 1
Electrical System: 24 Volt 100 Amp
Brakes: Mechanical

PERFORMANCE DATA

Fording Depth: W/Curtain, no limit
Approach Angle: 60 degrees
Maximum Grade Ability: 60 percent
Maximum Vertical Obstacle: 24 in
Maximum Width of Ditch: 66 in
Allowable Speed: 42.5 mph
Cruising Range: 280 mi
Ground Pressure: At maximum combat
weight- 7.75 psi

VEHICLE DATA

Type Classification & Date:
Life Expectancy:
Payload: 10,800 lb
Air Transportability: Phase II

EQUIPMENT OPTIONS

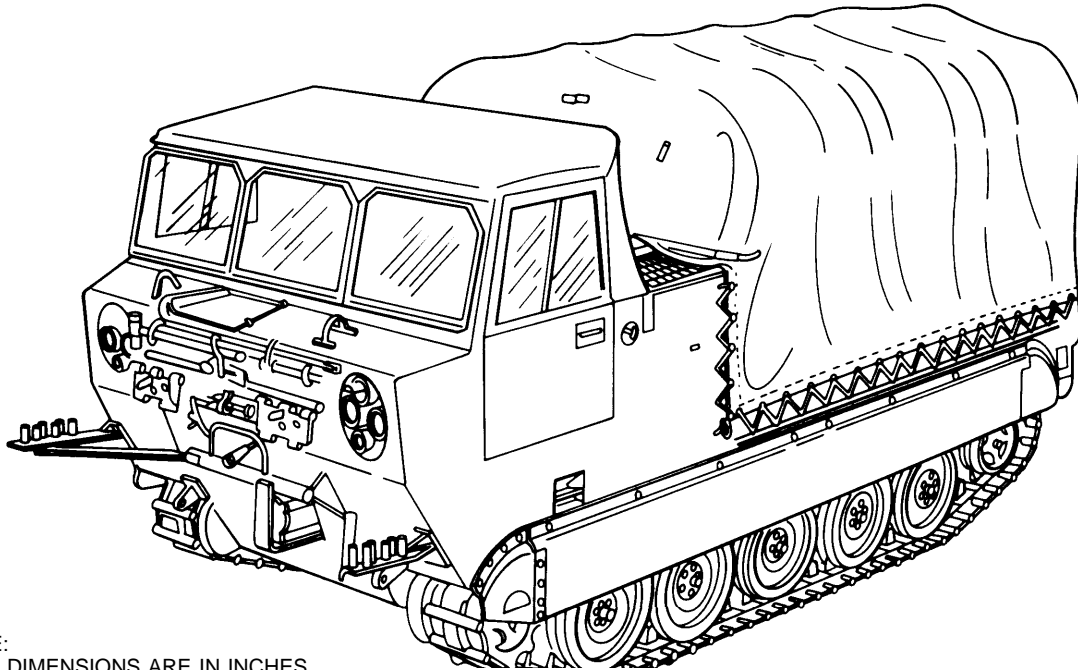
Armament: M14 or M16 (rifle)
Ammunition: Stowage
Communications: None

SHIPPING DATA

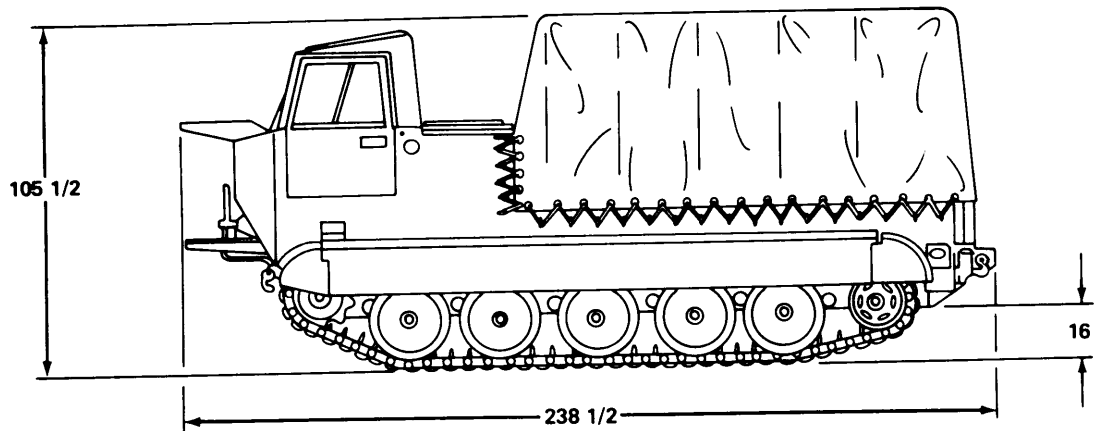
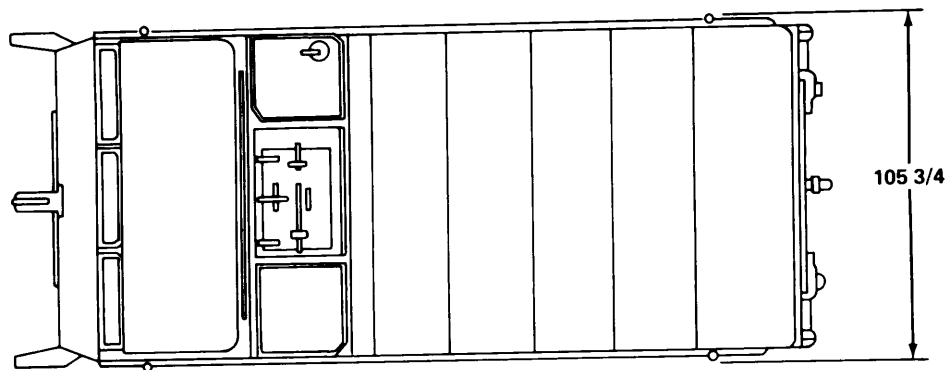
Weight: 15,000 lb net
(22,800 Combat Loaded SPL)
(25,800 Combat Loaded LT)
Cube: 1381 cu ft
Ground Clearance: 16 in

PRIME CONTRACT

DA-20-113-AMC-1052Z



NOTE:
ALL DIMENSIONS ARE IN INCHES.



TA208813

PURPOSE: To cross rough ground and move at high speed on roads and highways.

GENERAL INFORMATION

Nomenclature: CARRIER, GUIDED
 MISSILE EQUIPMENT: Self-Propelled

Model Number: M730A1

NSN: 145041-121-2122

LIN: D11668

SSN:

TM: 9-1450-585-Series

CHARACTERISTICS

Engine: GM Diesel, 6V-53

Type: Diesel, two cycle, liquid cooled,
 V-6

Horsepower: 212 bhp @ 2,800 rpm

Transmission: Allison, TX100-1

Type: Automatic Straight through

Ranges: Fwd 3 Rev 1

Electrical System: 24 Volt, 100 amp alternator

Brakes: Mechanical hydraulic

PERFORMANCE DATA

Fording Depth: 40 in.; W/Curtain, no limit

Approach Angle: 57 Degrees

Maximum Grade Ability: 60 percent

Maximum Vertical Obstacle: 24 in

Maximum Width of Ditch: 66 in

Allowable Speed: 38 mph

Cruising Range: 333 mi

Ground Pressure: 8.3 psi

VEHICLE DATA

Type Classification & Date: Std A, 1971

Life Expectancy: N/A

Payload: 11,365

Air Transportability: Military
 aircraft, C-130

EQUIPMENT OPTIONS

Armament:

Ammunition:

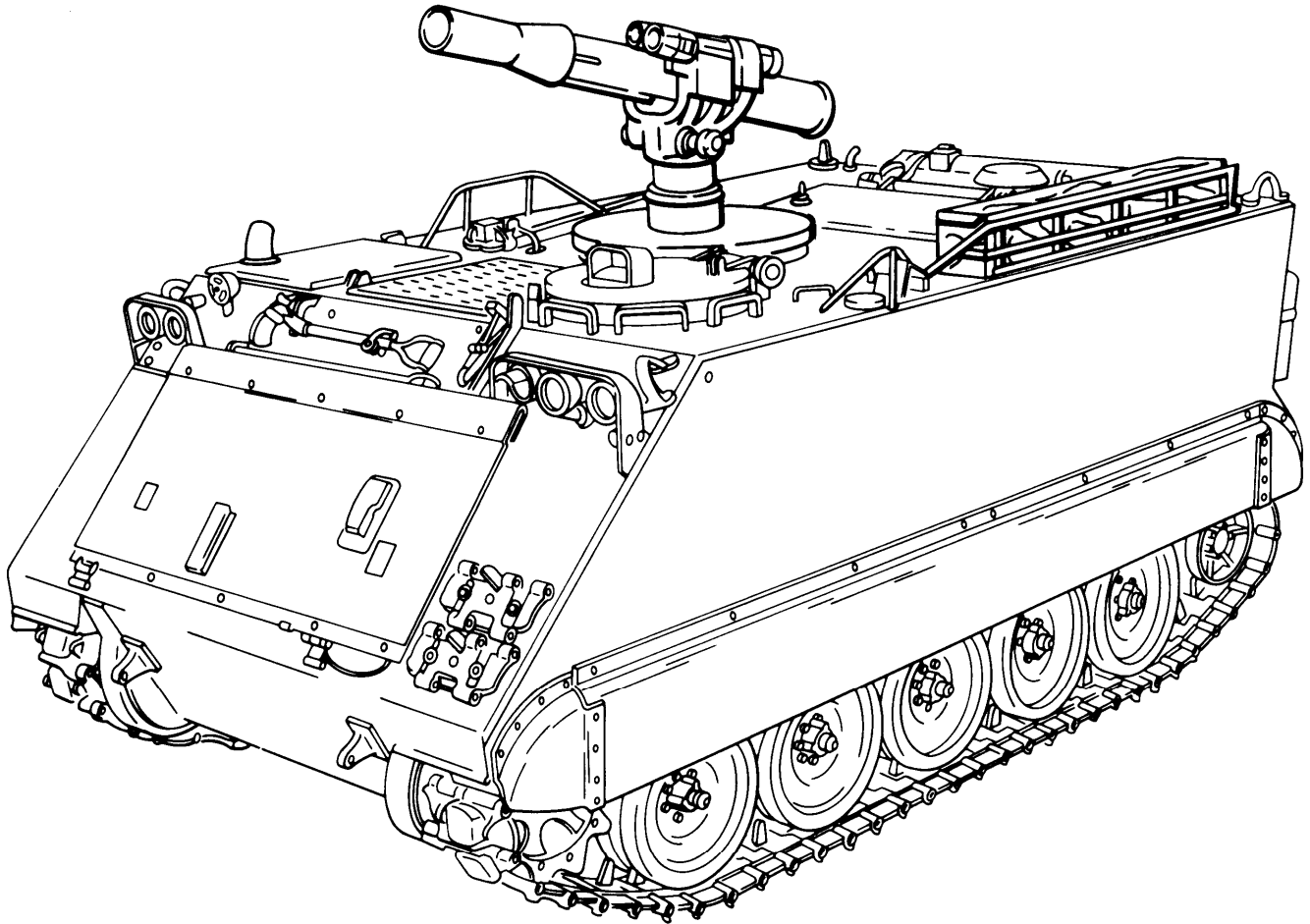
Communications:

SHIPPING DATA

Weight: 16,709 lb

Cube: 1031.5 cu ft

Ground Clearance: 16 in



TA209171

PURPOSE:

GENERAL INFORMATION

Nomenclature: CARRIER, GUIDED-MISSILE
 EQUIPMENT: Self-Propelled, TOW

Model Number: M113A1/A2

NSN: 1450-00-176-2697, 1450-01-104-2987 (M113
 Tow with AR Chassis)

LIN: D11681

SSN: G807030

TM: 9-2300-257-Series, 9-1425-470-Series,
 9-2350-261-Series

VEHICLE DATA

Type Classification & Date: Std A, 1972

Life Expectancy:

Payload: N/A

Air Transportability: Military aircraft, C130

CHARACTERISTICS

Engine: GM Diesel, 6V-53

Type: Diesel, V-6

Horsepower: 212 bhp @ 2,800 rpm

Transmission: Allison, TX100-1

Type: Single stage

Ranges: Fwd 3, Rev 1

Electrical System: 24 Volt, 100 Amp Alternator

Brakes: Mechanical

EQUIPMENT OPTIONS

Armament: TOW Capability

Ammunition: TOW Missiles

Communications:

Sighting & Fire Control: M19 I.R. Periscope,
 M17 Periscope

PERFORMANCE DATA

Fording Depth: Swims, no deeper than 7 feet

Approach Angle: 30 Degrees maximum

Maximum Grade Ability: 60 percent

Maximum Vertical Obstacle: 24 in

Maximum Width of Ditch: 66 in

Allowable Speed: 42 mph

Cruising Range: 300 miles @ 25 mph

Ground Pressure: 7.9 psi

SHIPPING DATA

Weight: 23,243 lb

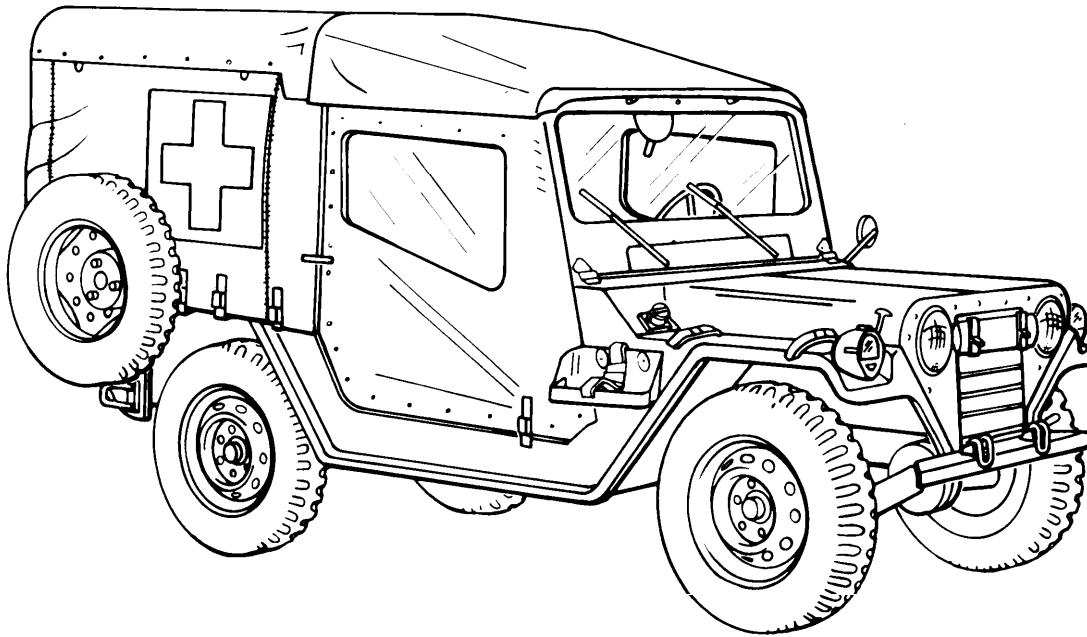
Cube: 191.5 x 100 x 86.5

Ground Clearance: 16 in

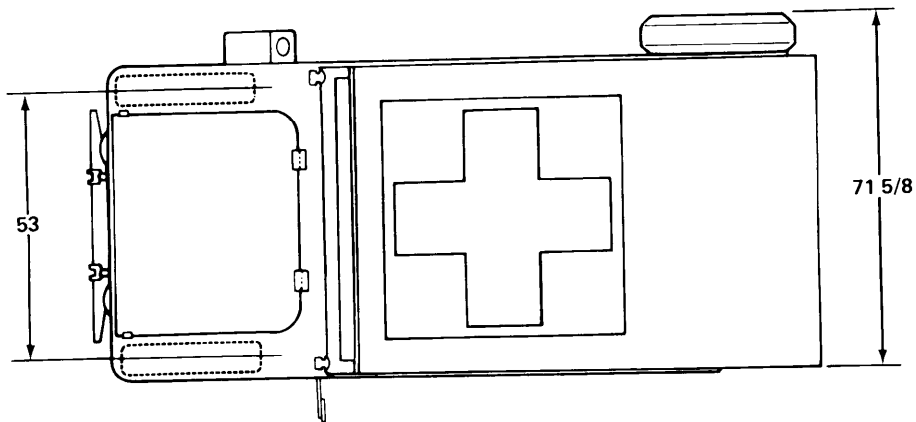
Chapter 3

TRUCK AMBULANCE (CLASS 2310)

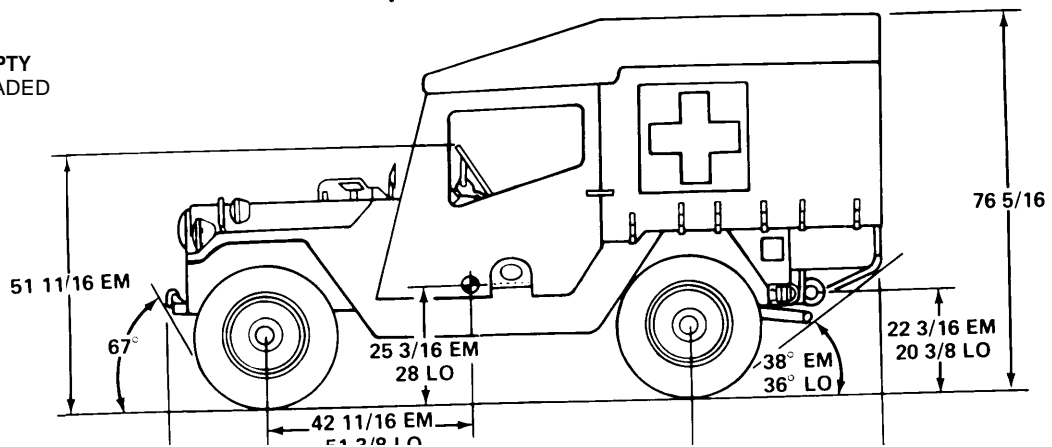
Type	Model	Page
1/4-TON		
TRUCK, AMBULANCE: Front Line, 4x4, W/E	M718	3-3
TRUCK, AMBULANCE: Front Line, 4x4, W/E	M718A1	3-5
TRUCK, AMBULANCE: Front Line, 4x4, W/E	M170	3-7
3/4-TON		
TRUCK, AMBULANCE: 4x4, W/Winch, W/E	M43	3-9
TRUCK, AMBULANCE: 4x4, W/O Winch, W/E	M43	3-11
TRUCK, AMBULANCE: 4x4, W/Winch, W/E	M43B1	3-13
1-1/4-TON		
TRUCK, AMBULANCE: 4x2	M893	3-15
TRUCK, AMBULANCE: 4x4	M886	3-17
TRUCK, AMBULANCE: 4x4	M1010	3-19
TRUCK, AMBULANCE: 6x6, W/E	M792	3-21
1-1/2-TON		
TRUCK, AMBULANCE: 4x4, HMMWV	M996	3-23
TRUCK, AMBULANCE: 4x4, 4 Litter, ARMD, HMMWV, W/E	M997	3-25/(3-26 blank)



NOTE:
ALL DIMENSIONS ARE IN INCHES.



LEGEND
EM - EMPTY
LO - LOADED



TA208622

PURPOSE: To carry ambulatory and litter patients.

GENERAL INFORMATION

Nomenclature: TRUCK, AMBULANCE:
Front Line, 1/4-Ton, 4x4, W/E

Model Number: M718

Crew Personnel: 5 Total -2 Man Crew,
3-Litter Patients

NSN: 2310-00-782-6056

LIN: X38639

SSN: D151010

TM: 9-2310-218-Series

CHARACTERISTICS

Horsepower: Pre-emission -71 bhp @
4,000 rpm; Emission -65 bhp @ 4,000 rpm

Transmission: Manual; 4 Fwd, 1 Rev

Electrical System: 24 Volt

Tires: 7:00 x 16, 4-ply (6 ply rating)

Brakes: Hydraulic

Blackout Lights: Yes

PERFORMANCE DATA

Fording:

W/Kit: 60 in

WO/Kit: 21 in

Approach Angle: 67 Degrees

VEHICLE DATA

Type Classification & Date: Std B, 1971

Replaced By: M718A1

Life Expectancy: 12 Years

Payload: 900 lb (Including Crew)

Towed Load Allowance: None Authorized
(Pintle Hook for Retrieving Vehicle Only)

Air Transportability: Phase 1

EQUIPMENT OPTIONS

Kits: 100 Amp Alternator, Deep Water
Fording

Winch: No

SHIPPING DATA

Curb Weight, Fully Equipped Less Payload
and Crew

Front Axle -1,370 lb

Rear Axle -1,380 lb

Total -2,750 lb

Gross Weight, Fully Equipped With Payload
and Crew:

Front Axle -1,820 lb

Rear Axle -1,830 lb

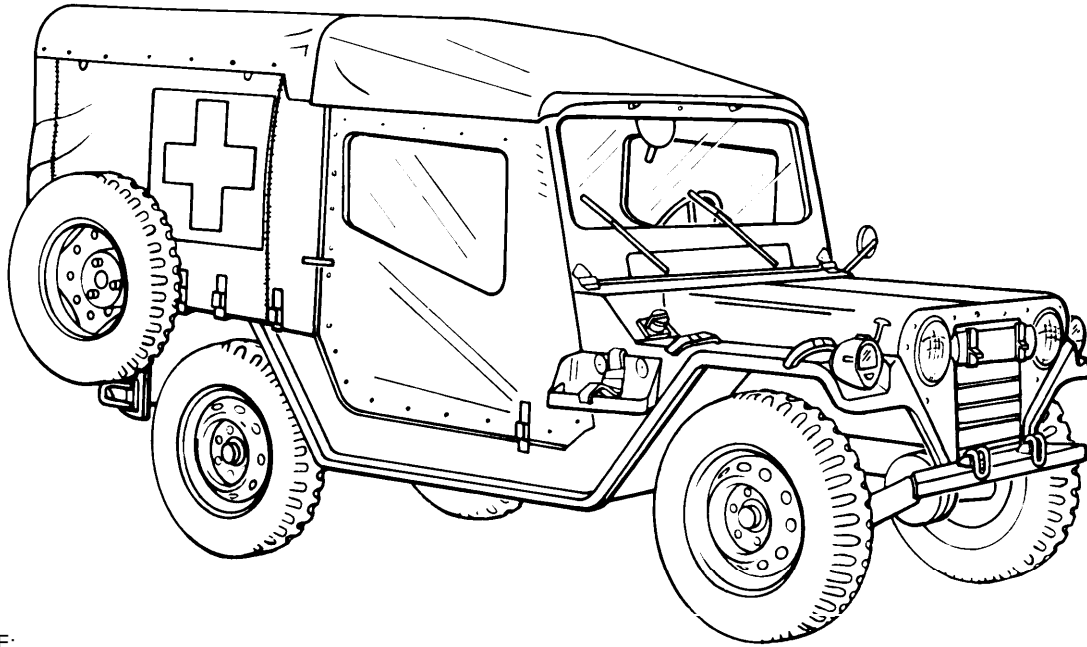
Total -3,650 lb

Cube: 455 cu ft (Reduceable to 285 cu ft)

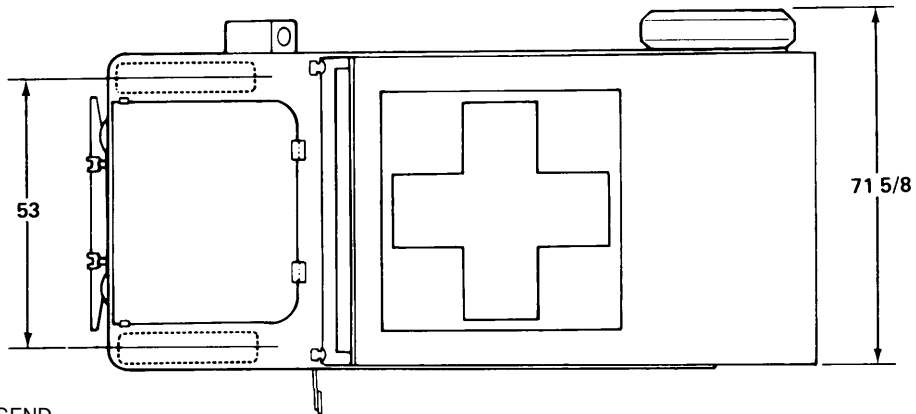
Minimum Ground Clearance: Rear Axle
10.9 in*, Under Chassis 9.0 in* *

*At Combat Loaded Weight

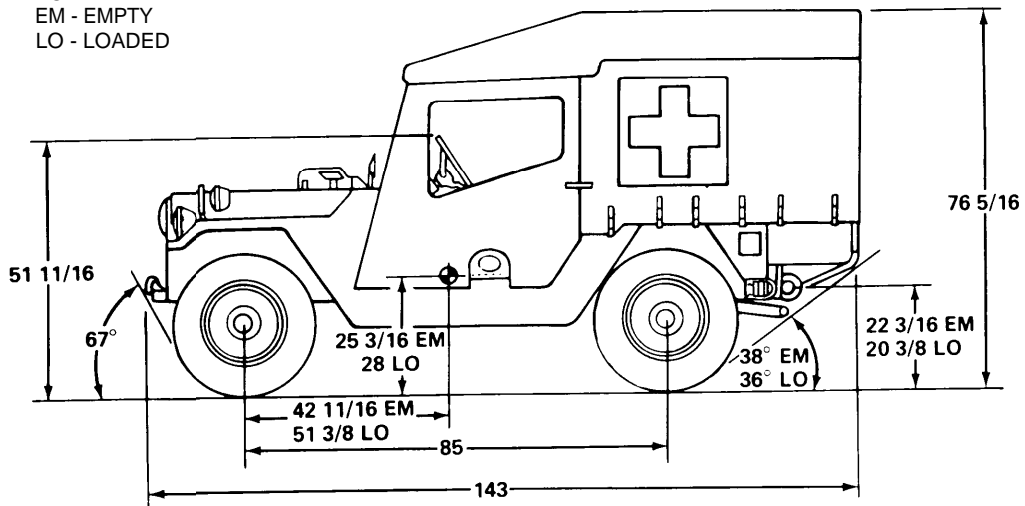
** At Rear Shock Bracket



NOTE:
ALL DIMENSIONS ARE IN INCHES.



LEGEND
EM - EMPTY
LO - LOADED



TA208590

PURPOSE: To transport litters and/or personnel.

GENERAL INFORMATION

Nomenclature: TRUCK, AMBULANCE:
Front Line, 1/4-Ton, 4x4, W/E

Model Number: M718A1

Crew/Cab Capacity: 2

NSN: 2310-00-177-9256

LIN: X38639

SSN: D151010

TM: 9-2320-218-Series

CHARACTERISTICS

Horsepower: Pre-emission -71 bhp @
4,000 rpm; Emission -65 bhp @ 4,000 rpm

Transmission: Manual; 4 Fwd, 1 Rev

Electrical System: 24 Volt

Tires: 7:00 x 16, 4-ply

Brakes: Hydraulic

Blackout Lights: Yes

PERFORMANCE DATA

Fording:

W/Kit: 60 in

WO/Kit: 21 in

Approach Angle: 67 Degrees

VEHICLE DATA

Type Classification & Date: Std A, 1971

Replaces: M170, M718

Life Expectancy: 12 Years

Payload: 900 lb (Including Crew)

Towed Load Allowance: None Authorized
(Pintle Hook for Retrieving Vehicle Only)

Air Transportability: Phase 1

EQUIPMENT OPTIONS

Kits: Deep Water Fording, 100 Amp Alternator

Winch: No

SHIPPING DATA

Curb Weight, Fully Equipped Less Payload and Crew:

Front Axle -1,370 lb
Rear Axle -1,380 lb
Total -2,750 lb

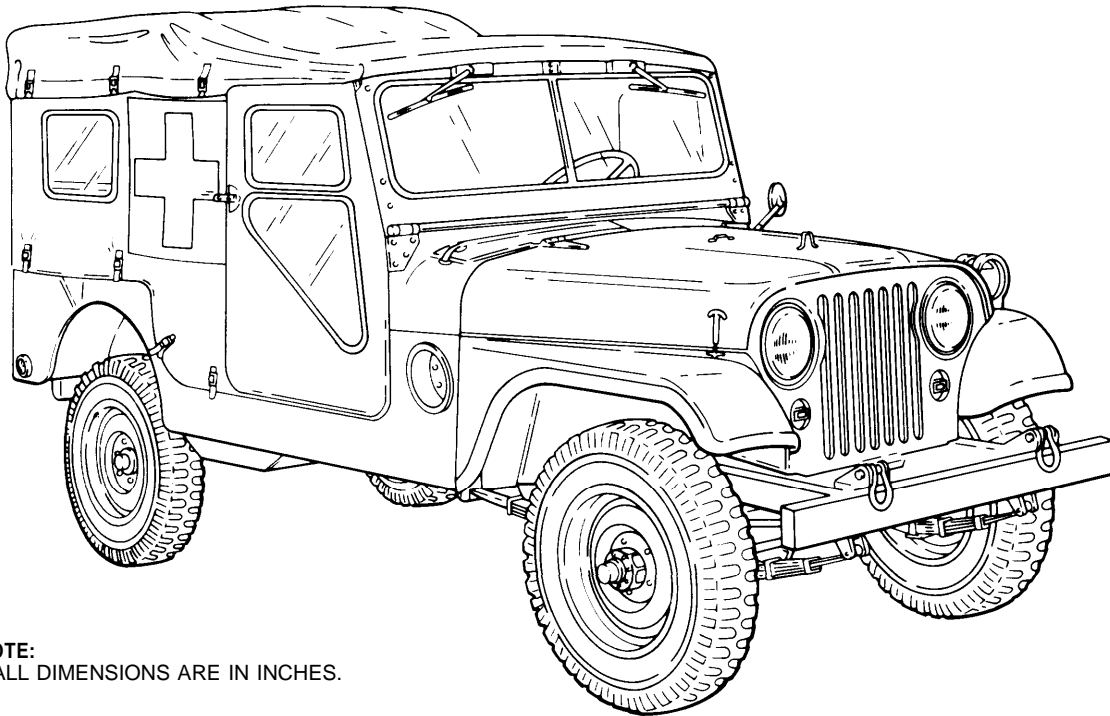
Gross Weight, Fully Equipped With Payload and Crew:

Front Axle -1,820 lb
Rear Axle -1,830 lb
Total -3,650 lb

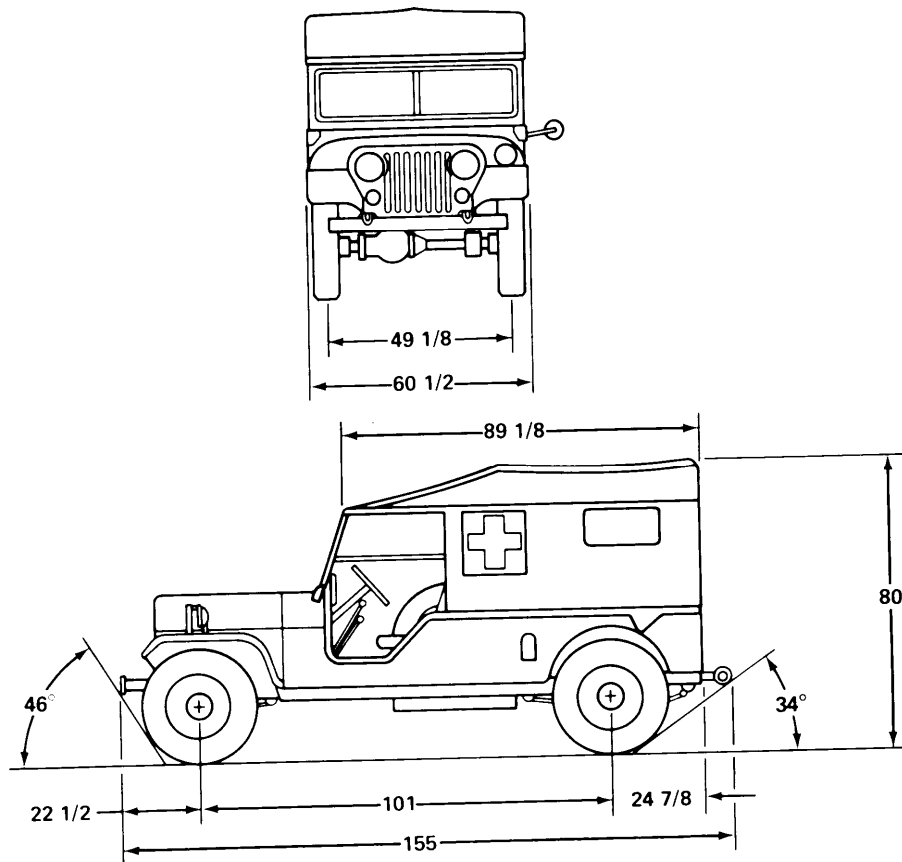
Cube: 455 cu ft (Reducible to 285 cu ft)

Ground Clearance: Rear Axle 10.9 in*,
Under Chassis 9.0 in* *

*At Combat Loaded Weight
**At Rear Shock Bracket



NOTE:
ALL DIMENSIONS ARE IN INCHES.



TA208941

PURPOSE: To transport sick or wounded personnel.

GENERAL INFORMATION

Nomenclature: TRUCK, AMBULANCE:
Front Line, 1/4 Ton, 4x4, W/E

Model Number: M170

Crew/Cab Capacity: 2

NSN: 2310-00-835-8686

LIN: X38639

SSN: D151010

TM: 9-2320-208-Series

CHARACTERISTICS

Horsepower: 68 bhp @ 4,000 rpm

Transmission: Manual; 3 Fwd, 1 Rev

Electrical System: 24 Volt

Tires: 7:00 x 16, 6-ply

Brakes: Hydraulic

Blackout Lights: Yes

PERFORMANCE DATA

Fording:

W/Kit:

WO/Kit: 15 in

Approach Angle: 46 Degrees

VEHICLE DATA

Type Classification & Date: Std S, 1969

Replaced By: M718A1

Life Expectancy: 12 Years

Payload: 800 lb

Towed Load Allowance:

Air Transportability: Phase 1

EQUIPMENT OPTIONS

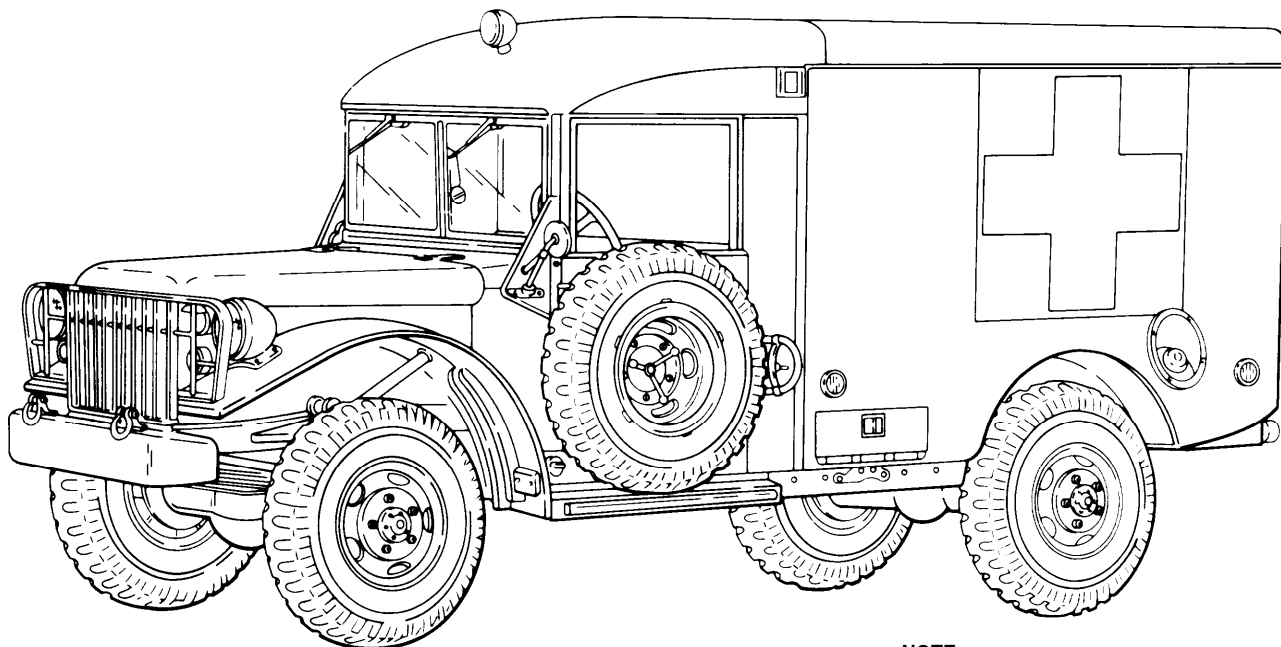
Kits:

SHIPPING DATA

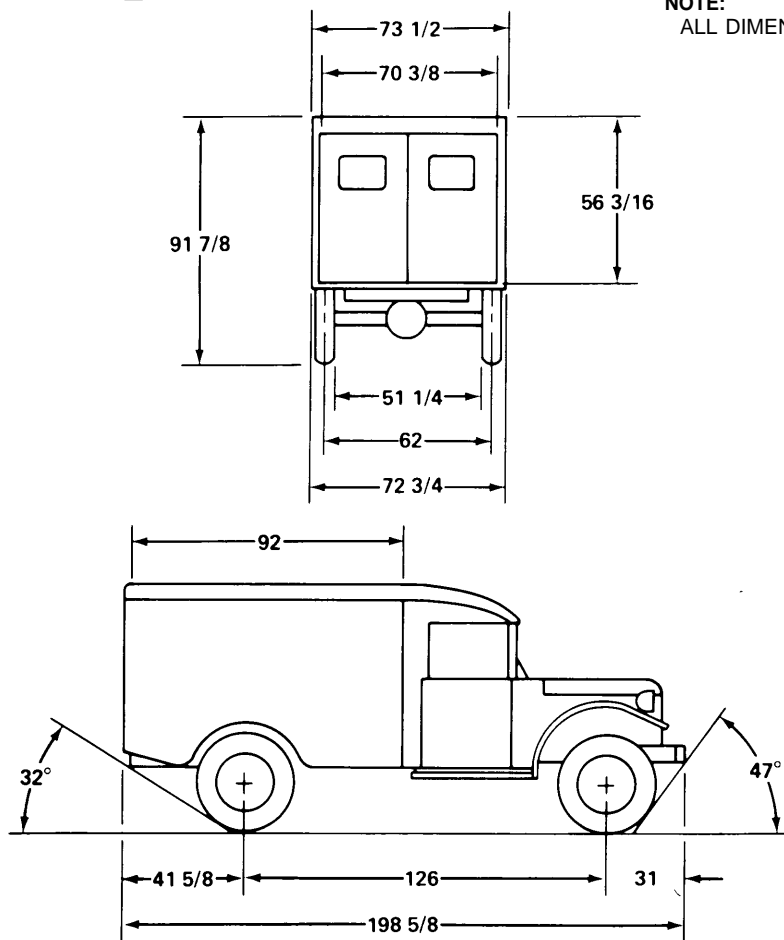
Weight: 3,763 lb

Cube: 434.2 cu ft

Ground Clearance:



NOTE:
ALL DIMENSIONS ARE IN INCHES.



TA208940

PURPOSE: To transport sick or wounded personnel.

GENERAL INFORMATION

Nomenclature: TRUCK, AMBULANCE:
3/4 Ton, 4x4, W/Winch, W/E

Model Number: M43

Crew/Cab Capacity:

NSN: 2310-00-835-86I7

LIN: X38913

SSN: D111010

TM: 9-2320-212-Series

CHARACTERISTICS

Horsepower: 78 bhp @ 3,200 rpm

Transmission: Manual; 4 Fwd, 1 Rev

Electrical System: 24 Volt

Tires: 9:00 x 16, 8-ply

Brakes: Hydraulic

Blackout Lights: Yes

PERFORMANCE DATA

Fording:

W/Kit: 84 in

WO/Kit: 42 in

Approach Angle: 47 Degrees

VEHICLE DATA

Type Classification & Date: Std O, 1979

Replaced By: M886/M893

Life Expectancy: 12 Years

Payload: 1,500 lb

Towed Load Allowance:

Air Transportability: Phase I

EQUIPMENT OPTIONS

Kits: Fording

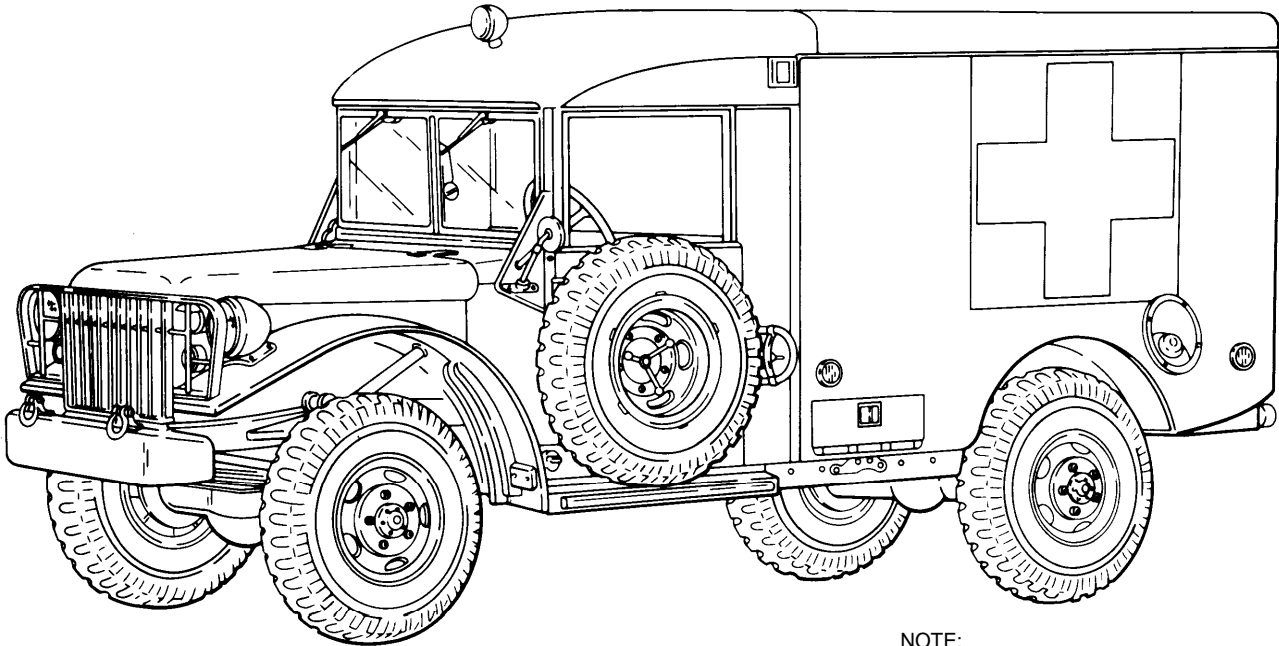
Winch: Yes

SHIPPING DATA

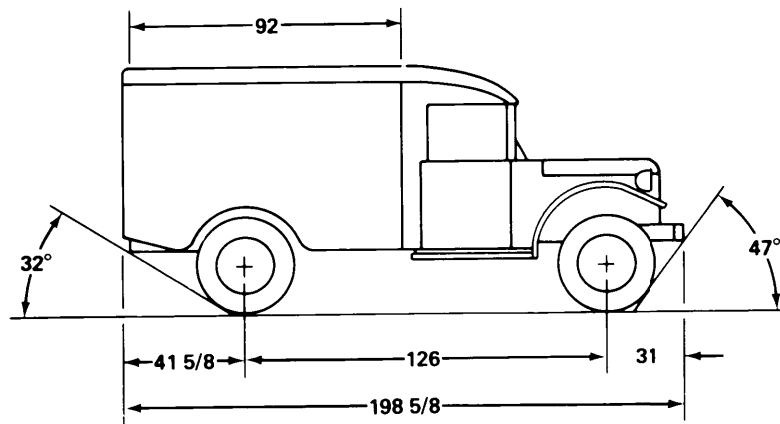
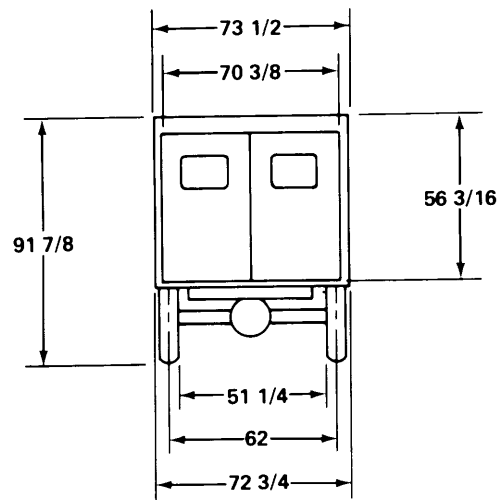
Weight: 8,780 lb

Cube: 790 cu ft

Ground Clearance:



NOTE:
ALL DIMENSIONS ARE IN INCHES



TA209172

PURPOSE: To transport sick or wounded personnel.

GENERAL INFORMATION

Nomenclature: TRUCK, AMBULANCE: 3/4
Ton, 4x4, W/O Winch, W/E

Model Number: M43

Crew/Cab Capacity:

NSN: 2310-00-835-8516

LIN: X38776

SSN: D111010

TM: 9-2320-212-Series

CHARACTERISTICS

Horsepower: 78 bhp @ 3,200 rpm

Transmission: Manual; 4 Fwd, 1 Rev

Electrical System: 24 Volt

Tires: 9:00 x 16, 8-ply

Brakes: Hydraulic

Blackout Lights: Yes

PERFORMANCE DATA

Fording:

W/Kit: 84 in

WO/Kit: 42 in

Approach Angle: 47 Degrees

VEHICLE DATA

Type Classification & Date: Std O,1979

Replaced By: M886/M893

Life Expectancy: 12 Years

Payload: 1,500 lb

Towed Load Allowance:

Air Transportability: Phase I

EQUIPMENT OPTIONS

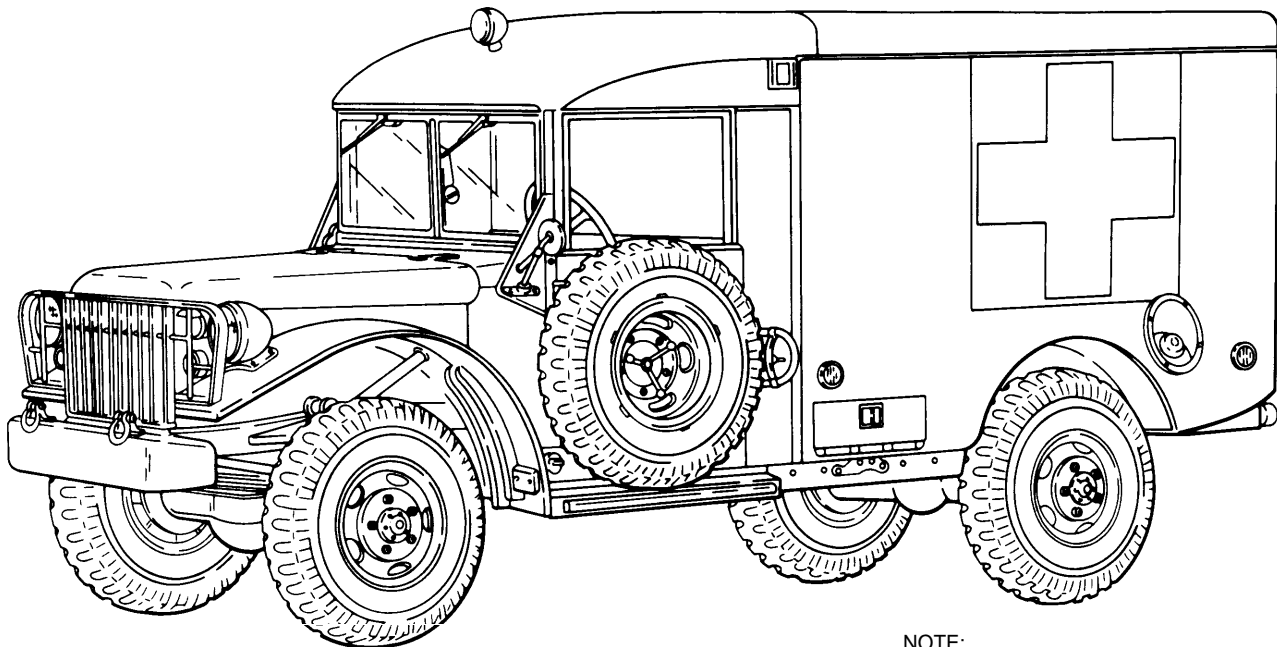
Kits: Fording

SHIPPING DATA

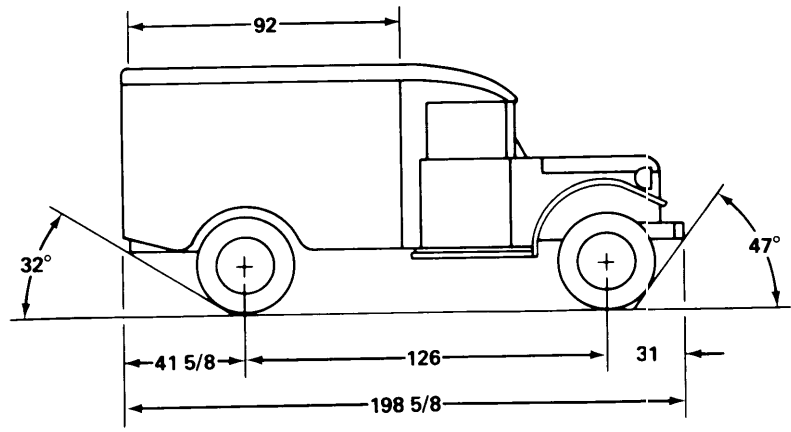
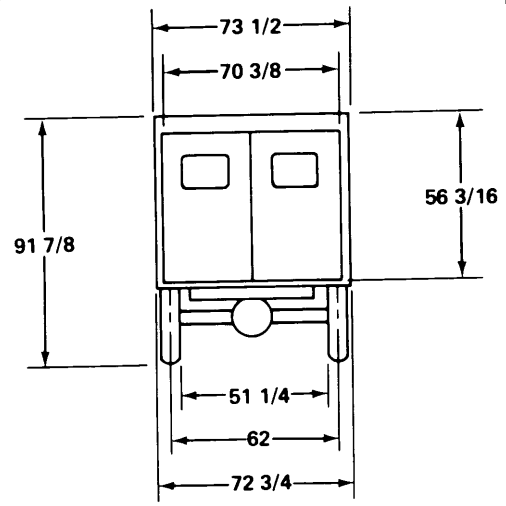
Weight: 8,550 lb

Cube: 790 cu ft

Ground Clearance:



NOTE:
ALL DIMENSIONS ARE IN INCHES



TA209173

PURPOSE: To transport sick or wounded personnel.

GENERAL INFORMATION

Nomenclature: TRUCK, AMBULANCE: 3/4
Ton, 4x4, W/Winch, W/E

Model Number: M43B1

Crew/Cab Capacity:

NSN: 2310-00-542-4634

LIN: X38776

SSN: D111010

TM: 9-2320-212-Series

CHARACTERISTICS

Horsepower: 78 bhp (@ 3,200 rpm)

Transmission: Manual; 4 Fwd, 1 Rev

Electrical System: 24 Volt

Tires: 9:00 x 16, 8-ply

Brakes: Hydraulic

Blackout Lights: Yes

PERFORMANCE DATA

Fording:

W/Kit: 84 in

WO/Kit: 42 in

Approach Angle: 47 Degrees

VEHICLE DATA

Type Classification & Date: Std O, 1979

Replaced By: M886/M893

Life Expectancy: 12 Years

Payload: 1,500 lb

Towed Load Allowance:

Air Transportability: Phase I

EQUIPMENT OPTIONS

Kits: Fording

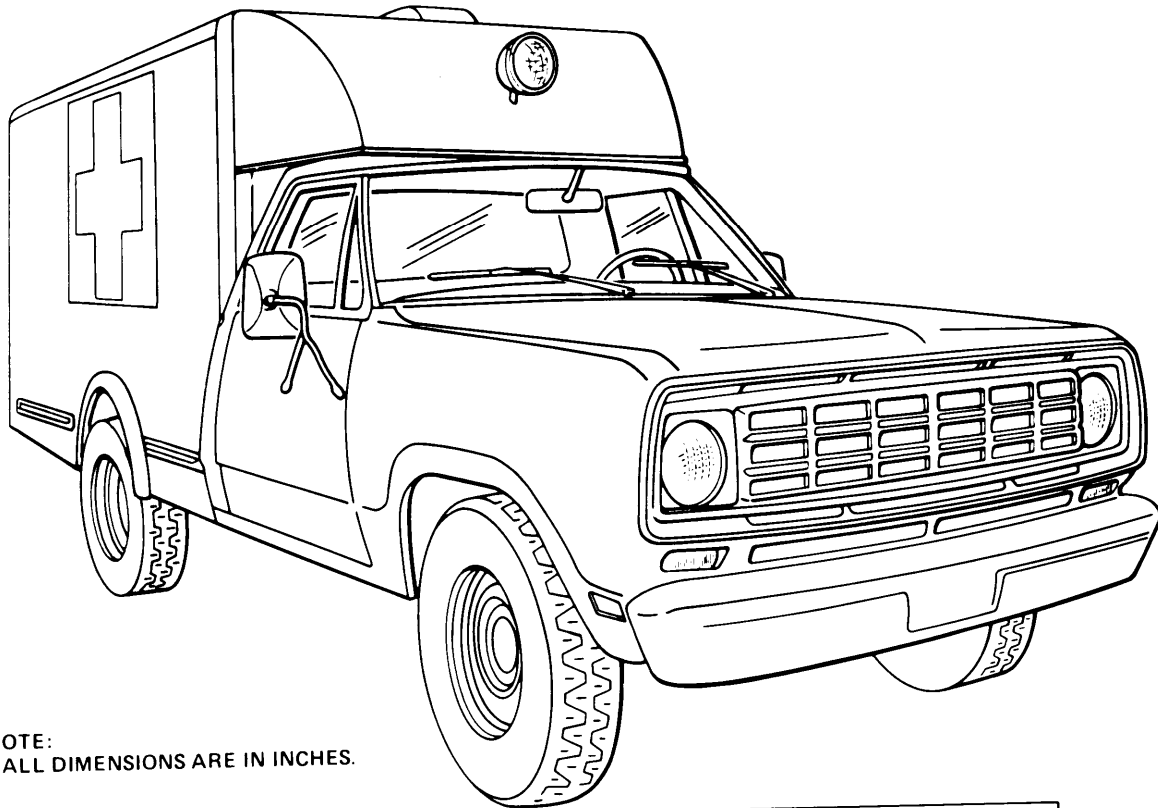
Winch: yes

SHIPPING DATA

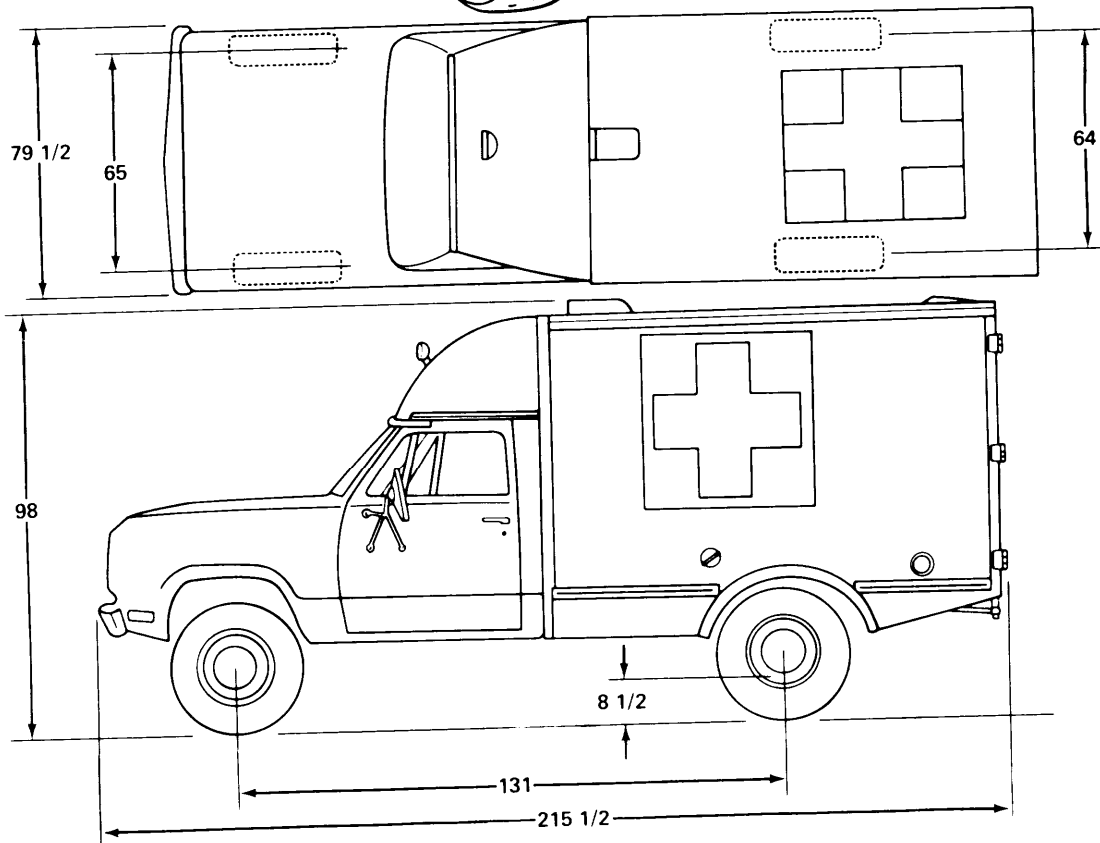
Weight: 8,550 lb

Cube: 790 cu ft

Ground Clearance:



NOTE:
ALL DIMENSIONS ARE IN INCHES.



TA208668

PURPOSE: To carry up to five litter patients plus one ambulatory patient or up to six ambulatory patients on prepaved/hard surfaces.

GENERAL INFORMATION

Nomenclature: TRUCK, AMBULANCE:
1 1/4 Ton, 4x2

Model Number: M893

Crew/Cab Capacity: 2

NSN: 2310-00-125-5679

LIN: X38562

SSN: D111030

TM: 9-2320-266-Series

CHARACTERISTICS

Horsepower: 150 bhp @ 4,000 rpm

Transmission: Automatic

Electrical System: 12 Volt

Tires: 9:5 R, 16.5 It, 4R-D Cust
Flexsteel XG

Brakes: Hydraulic, front disc, rear drum

Blackout Lights: Optional

PERFORMANCE DATA

Fording:

W/Kit:

WO/Kit: 16 in limit

Approach Angle:

VEHICLE DATA

Type Classification & Date: Std A, 1975

Replaces: M37/M715

Life Expectancy: 7 Years

Payload: 1,200 lb

Towed Load Allowance:

Air Transportability: Phase II

EQUIPMENT OPTIONS

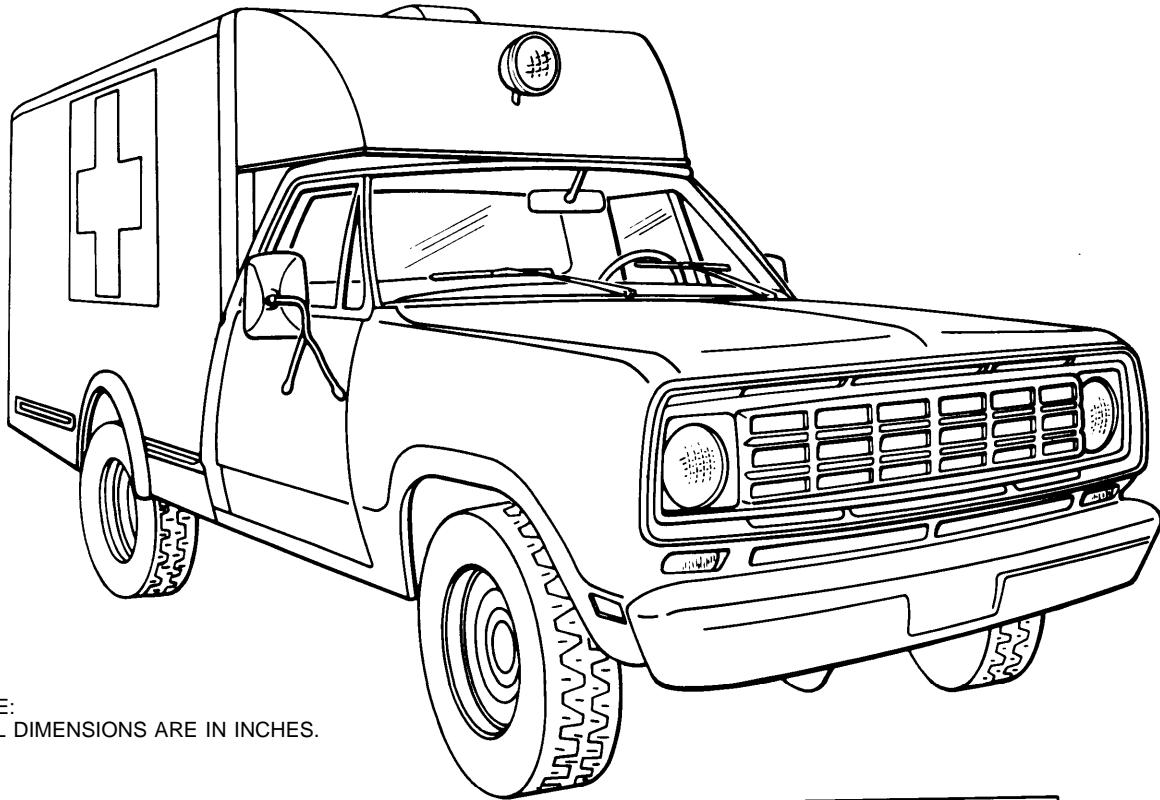
Kits: Blackout Light, Litter Compartment
Heater

SHIPPING DATA

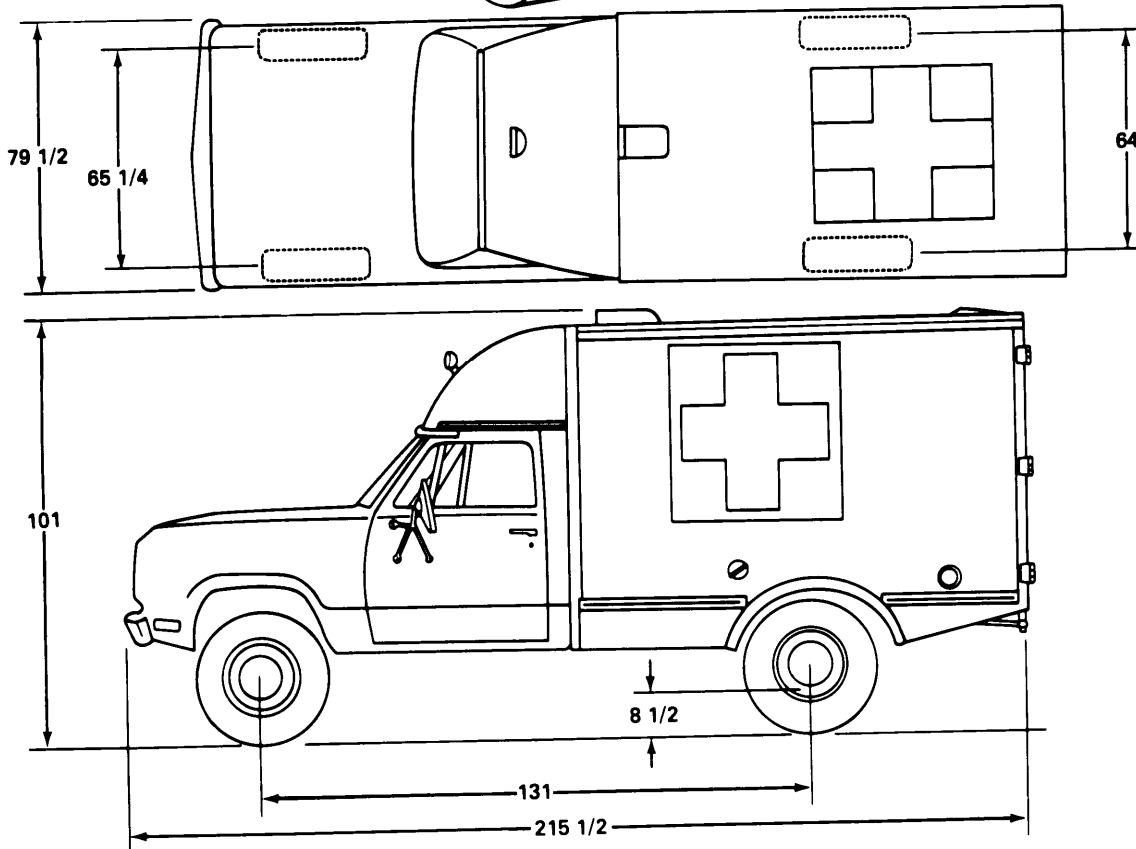
Weight: 5,684 lb

Cube: 685 cu ft

Ground Clearance: 8 1/2 in



NOTE:
ALL DIMENSIONS ARE IN INCHES.



TA208656

PURPOSE: To carry up to five litter patients plus one ambulatory patient or up to six ambulatory patients.

GENERAL INFORMATION

Nomenclature: TRUCK, AMBULANCE:
1 1/4 Ton, 4x4

Model Number: M886

Crew/Cab Capacity: 2

NSN: 2310-00-579-9078

LIN: X38592

SSN: D111030

TM: 9-2320-266-Series

CHARACTERISTICS

Horsepower: 150 bhp @ 4,000 rpm

Transmission: Automatic

Electrical System: 12 Volt

Tires: 9:5 R 16.5 Ic 4 R-D Cust
Flexsteel XG

Brakes: Hydraulic, front disc, rear drum

Blackout Lights: Optional

PERFORMANCE DATA

Fording:

W/Kit:

WO/Kit: 16 in

Approach Angle:

VEHICLE DATA

Type Classification & Date: Std A, 1975

Replaces: M7251M43

Life Expectancy: 7 Years

Payload: 1,200 lb

Towed Load Allowance:

Air Transportability: Phase II

EQUIPMENT OPTIONS

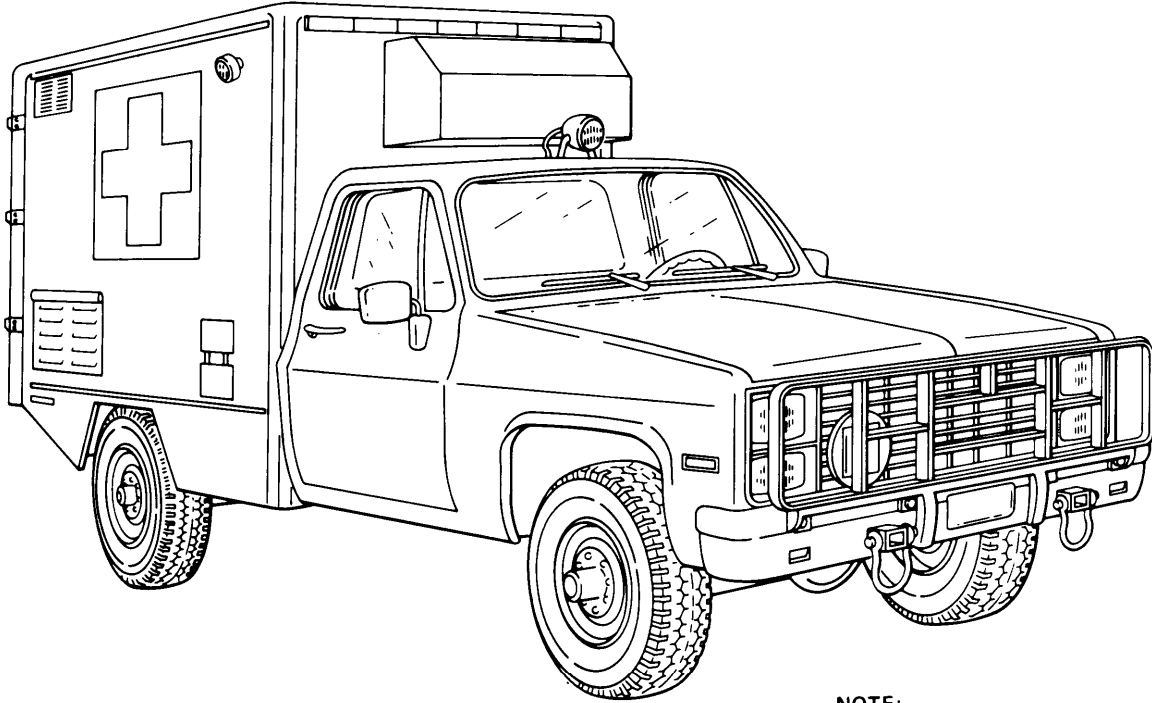
Kits: Blackout Light, Litter Compartment
Heater

SHIPPING DATA

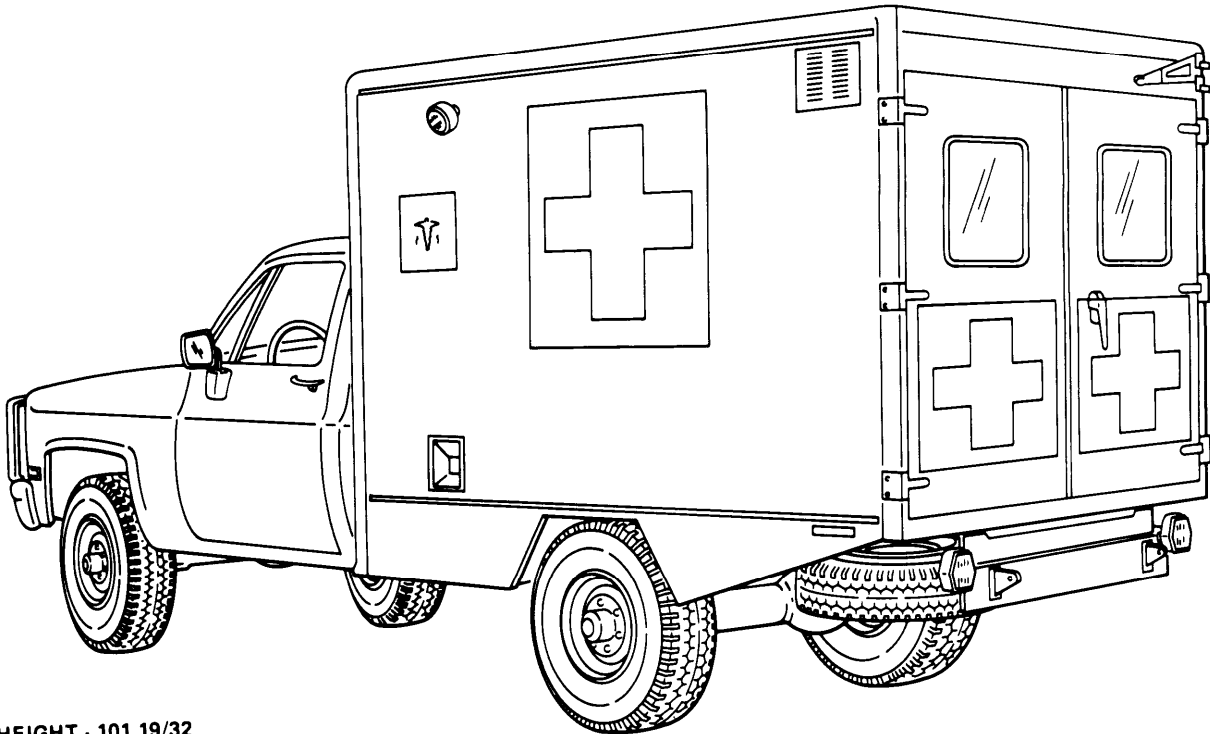
Weight: 6,116 lb

Cube: 685 cu ft

Ground Clearance: 8 1/2 in



NOTE:
ALL DIMENSIONS ARE IN INCHES.



HEIGHT - 101 19/32
LENGTH - 227 11/16
WIDTH - 81 3/16

TA209174

PURPOSE: To transport sick or wounded personnel.

GENERAL INFORMATION

Nomenclature: TRUCK, AMBULANCE:
1 1/4-Ton, 4x4

Model Number: M1010

Crew/Cab Capacity: 2

NSN: 2310-01-123-2666

LIN: T38660

SSN: D1130300K00

TM: 9-2320-289-Series

CHARACTERISTICS

Horsepower: 135 hp @ 3,600 rpm

Transmission: 3-Speed Automatic

Electrical System: 28 Volt, 200 Amp

Tires: LT 235/85R-16E Steel Belted
Radials

Brakes: Front Disc-Rear Drum, Silicone
Fluid

Blackout Lights: Yes

PERFORMANCE DATA

Fording:

W/Kit:

WO/Kit: 20 in

Approach Angle: 42 Degrees, 29 Minutes

VEHICLE DATA

Type Classification & Date:

Replaces: M886, M893

Life Expectancy: 7 Years

Payload: 2,900 Ibs without Medical Kits

Towed Load Allowance: N/A

Air Transportability:

EQUIPMENT OPTIONS

Kits:

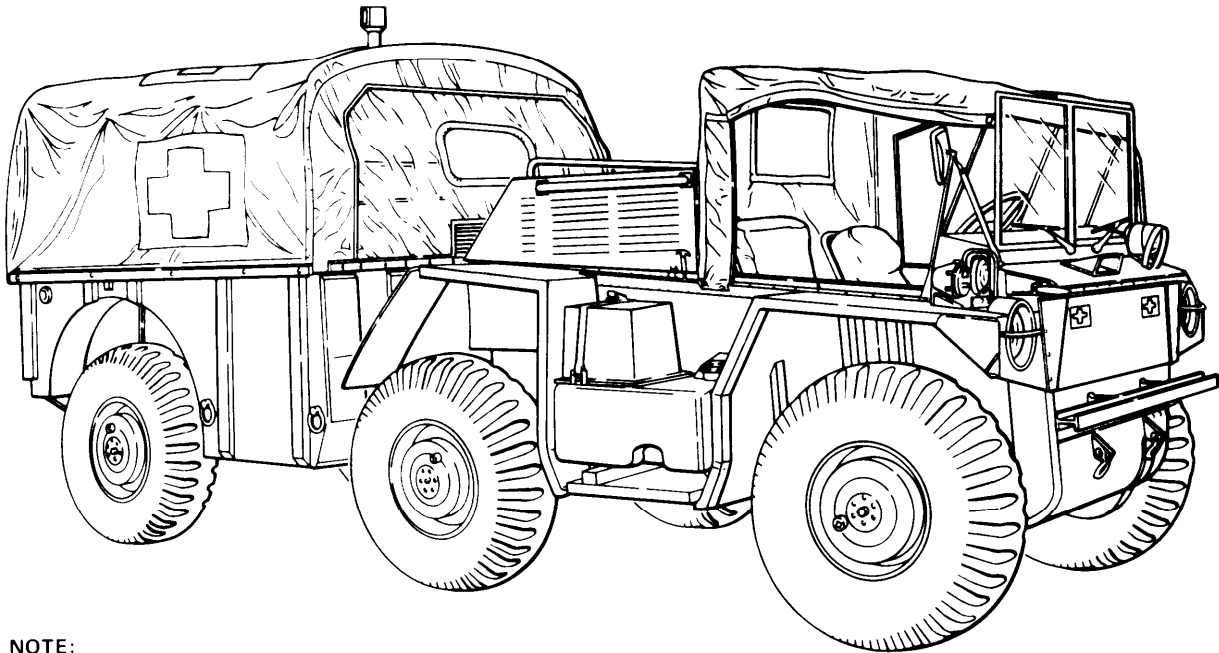
Winch:

SHIPPING DATA

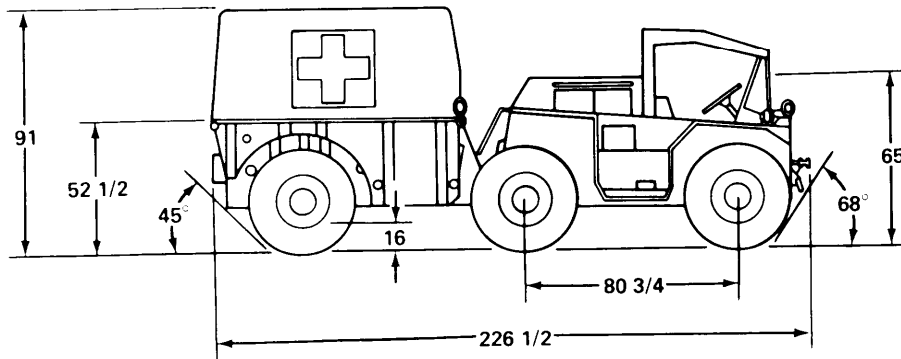
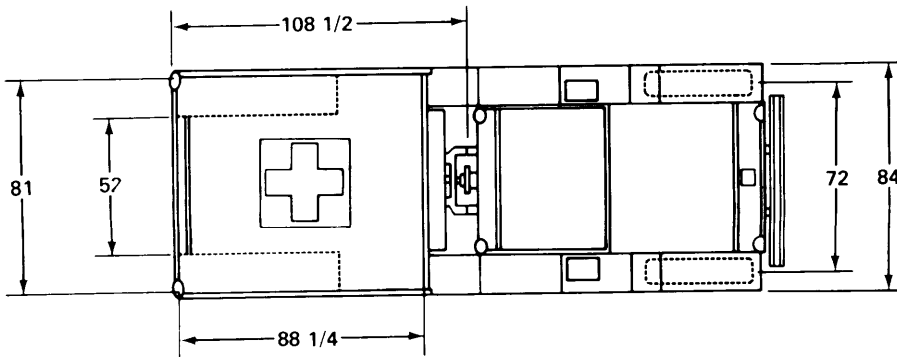
Weight: 7,370 lb

Cube: 1,037 cu ft

Ground Clearance: 7.7 in



NOTE:
ALL DIMENSIONS ARE IN INCHES.



TA208603

PURPOSE: To transport personnel and general cargo: three litter patients and an attendant; two litter patients, three ambulatory patients and an attendant; or eight ambulatory patients.

GENERAL INFORMATION

Nomenclature: TRUCK, AMBULANCE:
 1 1/4 Ton, 6x6, W/E
 Model Number: M792
 Crew/Cab Capacity: 2
 NSN: 2310-00-832-9907
 LIN: X38961
 SSN: D112020
 TM: 9-2320-242-Series

CHARACTERISTICS

Horsepower: 103 bhp @ 2,800 rpm
 Transmission: Manual; 4 Fwd, 1 Rev
 Electrical System: 24 Volt
 Tires: 11:00 x 18, 6-ply, tubeless
 Brakes: Hydraulic
 Blackout Lights: Yes

PERFORMANCE DATA

Fording:
 W/Kit: Swims
 WO/Kit:
 Approach Angle: 68 Degrees @ Curb Weight

VEHICLE DATA

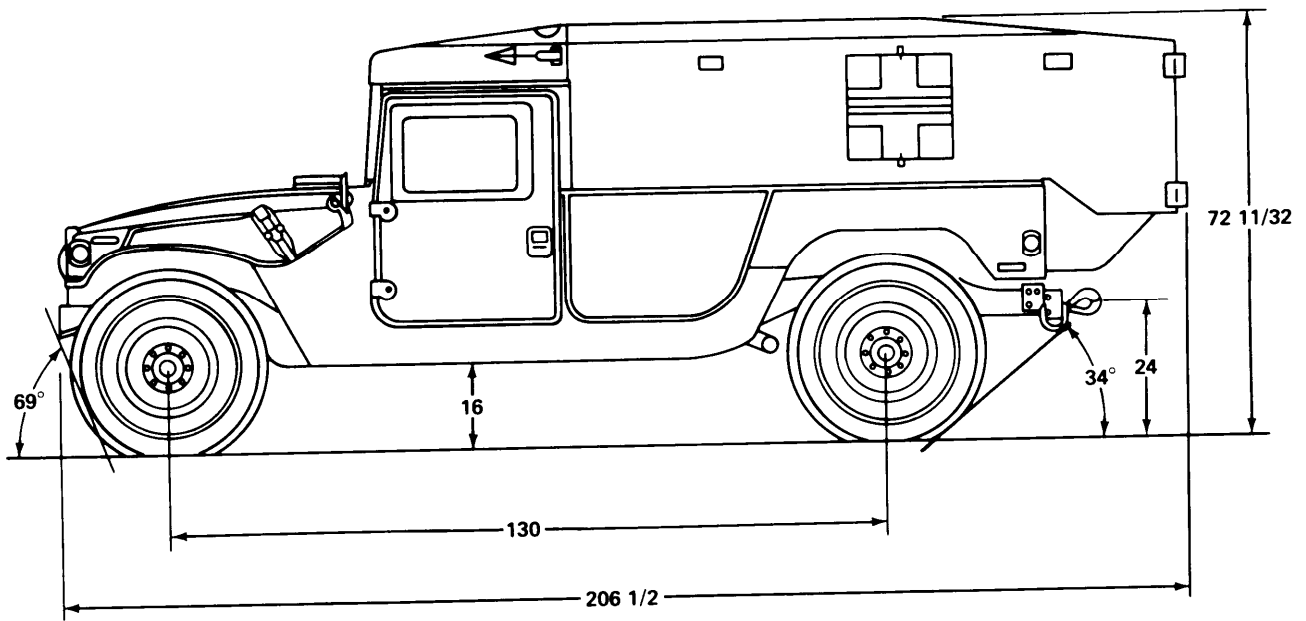
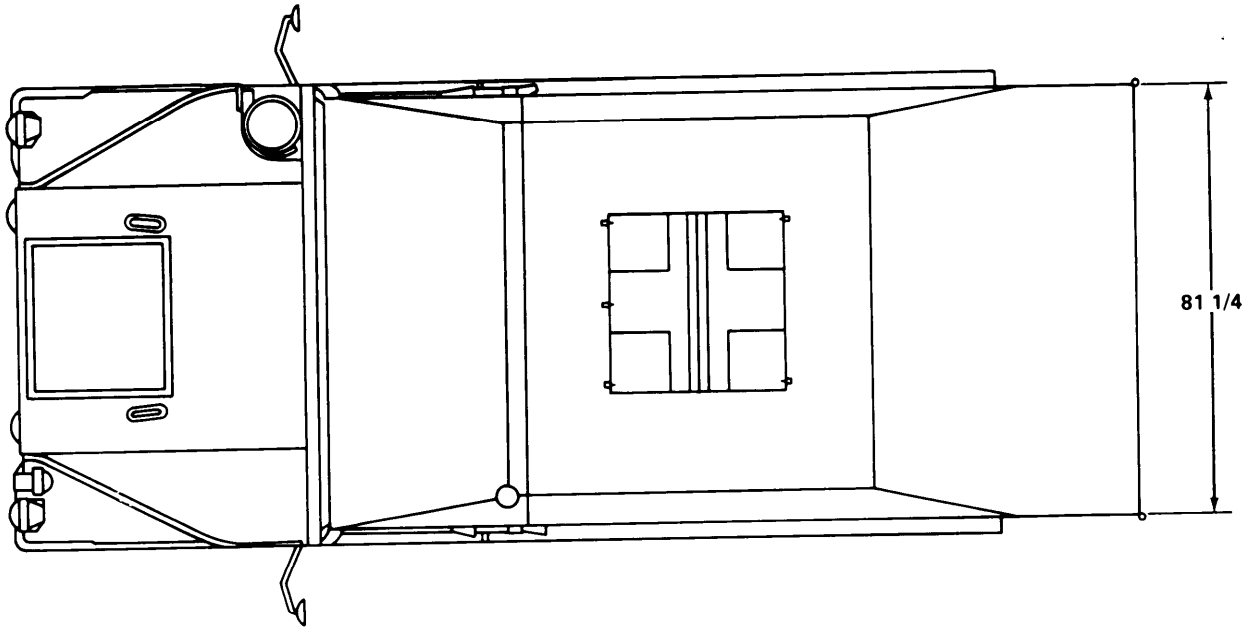
Type Classification & Date: Std A, 1967
 Replaces/Replaced By:
 Life Expectancy: 12 Years
 Payload: 2,500 lb
 Towed Load Allowance: 6,000 lb
 Air Transportability: Phase I

EQUIPMENT OPTIONS

Kits: Arctic, Heater, Winterization, Slave
 Receptacle, 100 Amp Alternator

SHIPPING DATA

Weight: 7,950 lb
 Cube: 1,088.3 cu ft
 Ground Clearance: 16 in



NOTE:
ALL DIMENSIONS ARE IN INCHES.

TA209175

PURPOSE: To evacuate sick and wounded personnel over all types of roads in all types of weather.

GENERAL INFORMATION

Nomenclature: TRUCK, AMBULANCE:
1 1/2-Ton, 4x4, HMMWV

Model Number: M996

Crew/Cab Capacity: 2/6 Patients

NSN: 2310-01-111-2275

LIN: T38707

SSN: D153010

TM: 9-2310-XXX-Series

CHARACTERISTICS

Horsepower: 150 ghp @ 3,600 rpm

Transmission: Automatic

Electrical System: 28 Volt DC

Tires: Goodyear/2C0281, Bias Ply W/Nylon
Breaker 36 x 12.5 -16.5

Brakes: Discs - Front and Rear

Blackout Lights: Yes

PERFORMANCE DATA

Fording:

W/Kit:

WO/Kit: 30 in

Approach Angle: 69 Degrees

Departure Angle: 34 Degrees

Range: 300 miles

VEHICLE DATA

Type Classification & Date: FY 85

Replaces: Selectively, M151, M880 and M792

Life Expectancy: 12 Years

Payload: GVW 8,600 Ibs

Towed Load Allowance: 3,400 Ibs

Air Transportability: Phase III

Helicopters: CH47 and CH53 D/E (less patients)

Aircraft: C5A, C141 and C130

EQUIPMENT OPTIONS

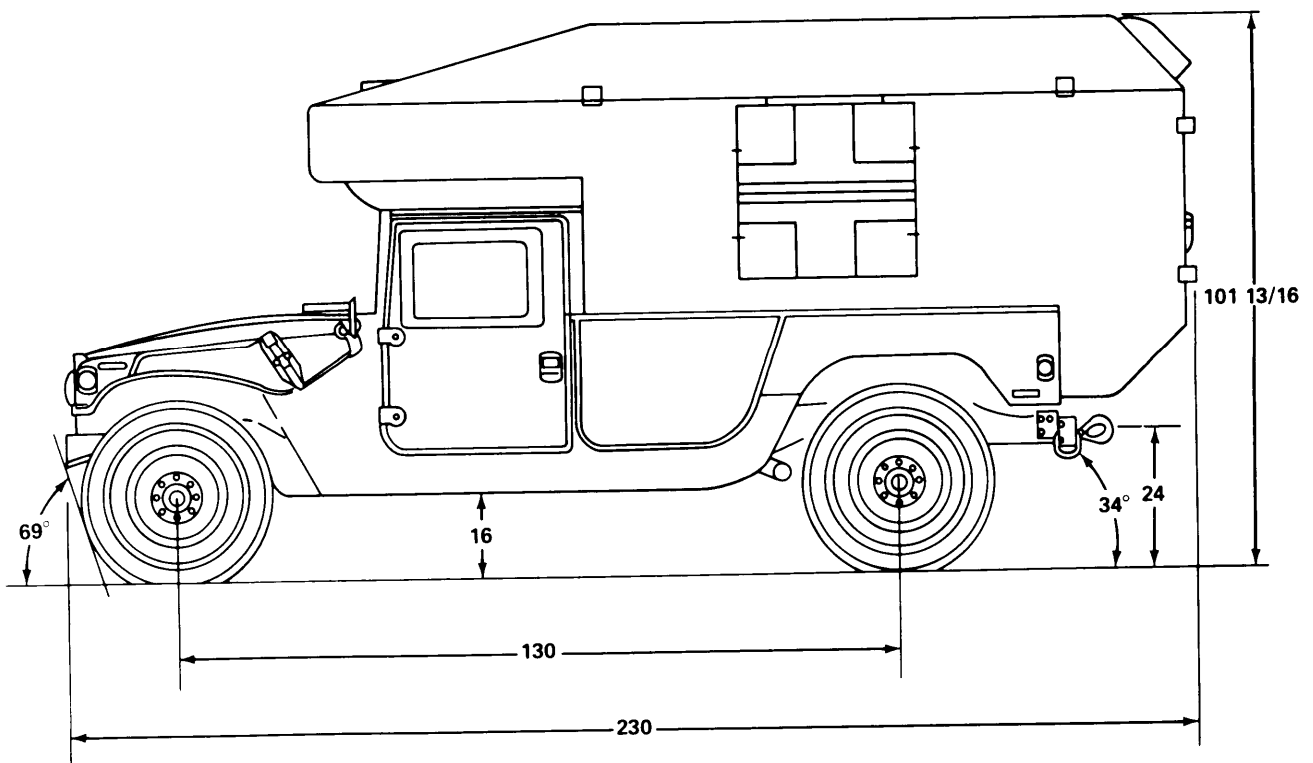
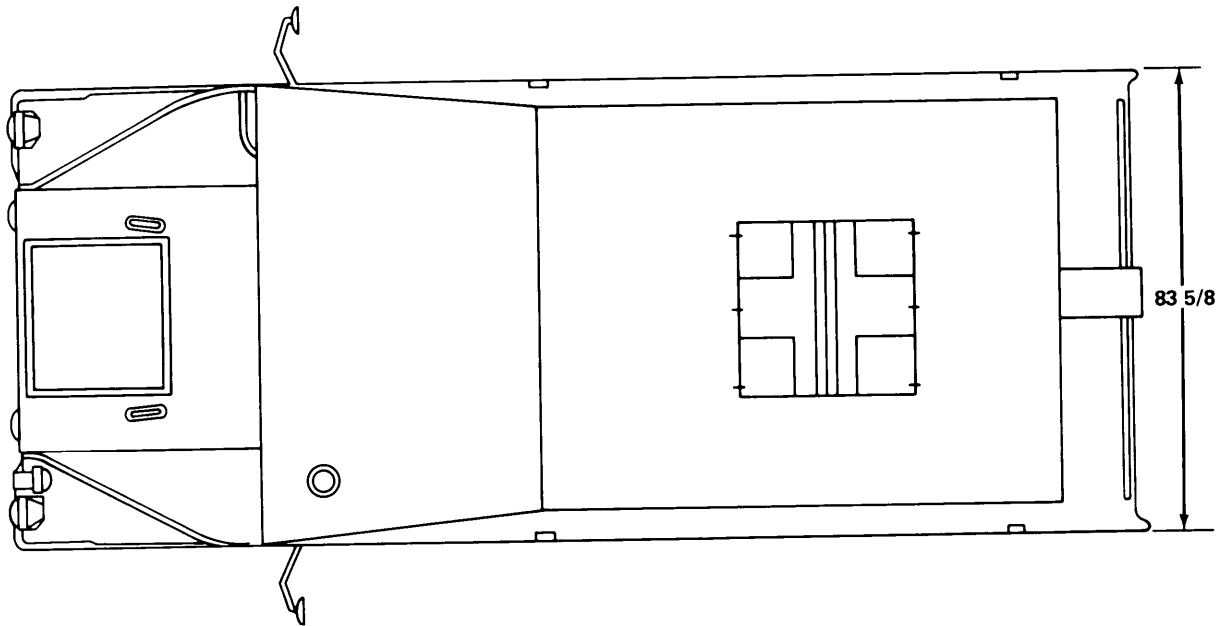
Kits: Personnel Heater

SHIPPING DATA

Weight: GVW 6,513 lb

Cube: 731.0 cu ft

Ground Clearance: 16 in



NOTE:
ALL DIMENSIONS ARE IN INCHES.

TA209176

PURPOSE: A high mobility multipurpose vehicle for highway, secondary and cross country roads.

GENERAL INFORMATION

Nomenclature: TRUCK, AMBULANCE:
1 1/2-Ton, 4x4, 4 Litter, ARMD, HMMWV, W/E

Model Number: M997

Crew/Cab Capacity: 3/8 Patients

NSN: 2310-01-111-2274

LIN: T38844

SSN:

TM: 9-2320-280-Series

CHARACTERISTICS

Horsepower: 150 ghp @ 3,600 rpm

Transmission: Automatic

Electrical System: 28 Volt DC

Tires: Goodyear/2C0281 Bias Ply/WNylon
Breakers 36 x 12.5 -16.5

Brakes: Discs - Front and Rear

Blackout Lights: Yes

PERFORMANCE DATA

Fording: 30 in

Approach Angle: 69 Degrees

Departure Angle: 34 Degrees

Range: 300 miles

VEHICLE DATA

Type Classification & Date: Std A, 1983

Replaces: Selectively M151, M880 and M792

Life Expectancy: 12 Years

Payload: GVW 8,600 Ibs

Towed Load Allowance: 3,400 Ibs

Air Transportability:

Helicopters: CH47 and CH53 D/E (external)
(less patients)

Aircraft: C5A, C141 and C130

EQUIPMENT OPTIONS

Kits: Arctic

Winch:

SHIPPING DATA

Weight: 6,274 lbs

Cube: 1,016.2 cu ft

Ground Clearance: 16 in

Chapter 4

TRUCK AND TRUCK TRACTORS (CLASS 2320)

Type	Model	Page
1/4-TON		
TRUCK, UTILITY: 4x4	M151A2	4-7
TRUCK, UTILITY: 4x4, Carrier for 106 MM Rifle, W/E	M825	4-9
TRUCK, UTILITY: 4x4, W/E	M151	4-11
TRUCK, UTILITY: 4x4, W/E	M151A1	4-13
TRUCK, UTILITY: 4x4, Carrier for 106 MM Rifle, W/E	M151A1C	4-15
1/2-TON		
TRUCK, PLATFORM: 4x4, Utility, W/E	M274	4-17
TRUCK, PLATFORM: 4x4, Utility, W/E	M274A1	4-19
TRUCK, PLATFORM: 4x4, Utility, W/E	M274A2	4-21
TRUCK, PLATFORM: Utility	M274A3	4-23
TRUCK, PLATFORM: Utility	M274A4	4-25
TRUCK, PLATFORM: 4x4, Utility, W/E	M274A5	4-27
3/4-TON		
TRUCK, UTILITY AND TACTICAL: 4x4	M1009	4-29
1-1/4-TON		
TRUCK, CARGO: 4x2	M890	4-31
TRUCK, CARGO: 4x2, W/60 AMP Kit	M891	4-33
TRUCK, CARGO: 4x2, W/60 AMP and Communications Kit	M892	4-35
TRUCK, CARGO: 4x4	M880	4-37
TRUCK, CARGO: 4x4, W/60 AMP Kit	M881	4-39
TRUCK, CARGO: 4x4, W/60 AMP and Communications Kit	M882	4-41
TRUCK, CARGO: 4x4, W/60 AMP and Communications Shelter Tiedown Kit	M883	4-43
TRUCK, CARGO: 4x4, W/100 AMP and Communications Shelter Tiedown Kit	M884	4-45
TRUCK, CARGO: 4x4, W/Communications Shelter Tiedown Kit	M885	4-47
TRUCK, CARGO: 4x4	M1008	4-49
TRUCK, CARGO: 4x4, W/Communications	M1008A1	4-51
TRUCK, CARGO: 4x4, Chassis	M1031	4-53
TRUCK, CARGO: 4x4, Shelter Carrier	M1028	4-55
TRUCK, CARGO: 6x6, W/E	M561	4-57
TRUCK, MAINTENANCE: 4x4, Telephone, W/Winch, W/E	M726	4-59
TRUCK, MAINTENANCE: 4x4, Tactical Telephone	M888	4-61
TRUCK, UTILITY: 4x4, Cargo/Troop Carrier, HMWWV, W/E	M998	4-63
TRUCK, UTILITY: 4x4, Cargo/Troop Carrier W/Winch, HUMMV, W/E	M1038	4-65
TRUCK, UTILITY: 4x4, ARMT Carrier, ARMD, HUMMV, W/E	M1025	4-67
TRUCK, UTILITY: 4x4, ARMT Carrier, ARMD, HUMMV, W/E	M1026	4-69
TRUCK, UTILITY: 4x4, ARMT Carrier, W/SA, HUMMV, W/E	M1043	4-71

TRUCK AND TRUCK TRACTORS (CLASS 2320) - Continued

Type	Model	Page
1-1/4-TON - Continued		
TRUCK, UTILITY: 4x4, ARMT Carrier, W/SA, W/Winch, HUMMV, W/E	M1044	4-73
TRUCK, UTILITY: 4x4, S250 Shelter Carrier, HUMMV, W/E	M1037	4-75
TRUCK, UTILITY: 4x4, TOW Carrier, W/SA, HUMMV, W/E	M1045	4-77
2-1/2-TON		
TRUCK, CARGO: 6x6, W/Winch, W/E	M35A2	4-79
TRUCK, CARGO: 6x6, WO/Winch	M35A2	4-81
TRUCK, CARGO: 6x6, Drop Side, W/Winch	M35A2C	4-83
TRUCK, CARGO: 6x6, Drop Side, WO/Winch	M35A2C	4-85
TRUCK, CARGO: 6x6, XLWB, W/Winch	M36A2	4-87
TRUCK, CARGO: 6x6, XLWB, WO/Winch, W/E	M36A2	4-89
TRUCK, CHASSIS: 6x6, W/Winch, W/E	M44A2	4-91
TRUCK, CHASSIS: 6x6, WO/Winch, W/E	M44A2	4-93
TRUCK, CHASSIS: 6x6, W/Winch, W/E	M45A2	4-95
TRUCK, CHASSIS: 6x6, WO/Winch, W/E	M45A2	4-97
TRUCK, CHASSIS: 6x6, W/Winch, W/E	M46A2C	4-99
TRUCK, CHASSIS: 6x6, WO/Winch, W/E	M46A2C	4-101
TRUCK, DUMP: 6x6, W/Winch	M342A2	4-103
TRUCK, DUMP: 6x6, WO/Winch, W/E	M342A2	4-105
TRUCK, MAINTENANCE: 6x6, Earth Boring Machine and Pole Setter, W/Winch	M764	4-107
TRUCK, MAINTENANCE: 6x6, Pipeline Construction, W/Winch	M756A2	4-109
TRUCK, VAN: 6x6, Shop, W/Winch	M109A3	4-111
TRUCK, VAN: 6x6, Shop, WO/Winch	M109A3	4-113
TRUCK, VAN: 6x6, Shop Repair, WO/Winch	M185A3	4-115
TRUCK, TANK: 6x6, Fuel Servicing, W/Winch	M49A2C	4-117
TRUCK, TANK: 6x6, Fuel Servicing, WO/Winch	M49A2C	4-119
TRUCK, TANK: 6x6, Water, 1,000 Gal, W/Winch, W/E	M50A2	4-121
TRUCK, TANK: 6x6, Water, 1,000 Gal, WO/Winch, W/E	M50A2	4-123
TRUCK, TANK: 6x6, Water, 1,000 Gal, W/Winch	M50A3	4-125
TRUCK, TANK: 6x6, Water, 1,000 Gal, WO/Winch	M50A3	4-127
TRUCK, TELEPHONE MAINTENANCE UTILITY: 6x4, 36,000 GVW, W/Winch	M876	4-129
TRUCK, TRACTOR: 6x6, W/Low MTD 5th Wheel, W/Winch	M275A2	4-131
TRUCK, TRACTOR: 6x6, W/Low MTD 5th Wheel, WO/Winch	M275A2	4-133
TRUCK, VAN: 6x6, Expansible, W/E, (ARMY)	M292A1	4-135
TRUCK, VAN: 6x6, Expansible, WO/Winch, (ARMY), W/E	M292A2	4-137
TRUCK, VAN: 6x6, Expansible, W/Hydraulic Lift Gate, W/LD 465 Engine, W/E	M292A5	4-139
5-TON		
TRUCK, BOLSTER: 6x6, W/Winch, W/E	M748A1	4-141
TRUCK, BOLSTER: 6x6, W/Winch, W/E	M815	4-143
TRUCK, CARGO: 6x6, LWB, W/Winch, W/E	M54	4-145

TRUCK AND TRUCK TRACTORS (CLASS 2320) - Continued

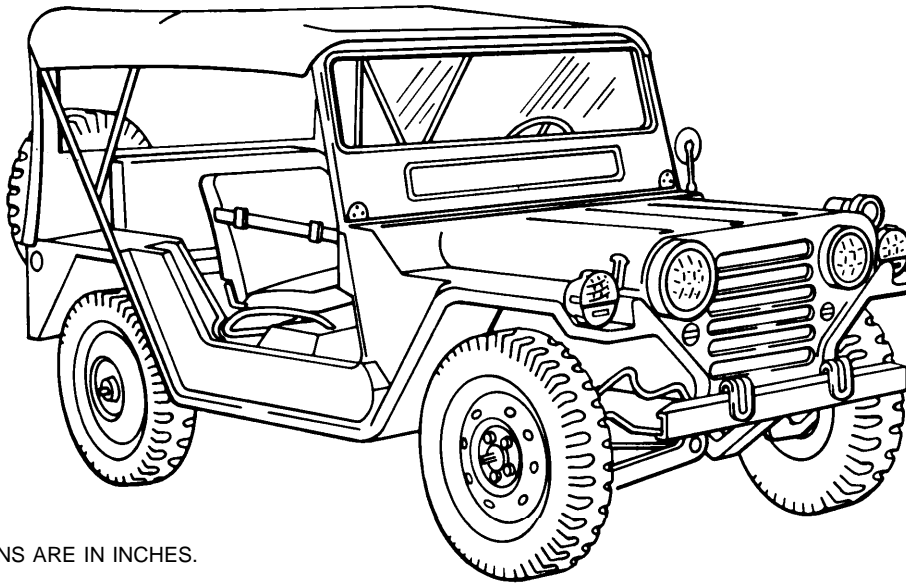
Type	Model	Page
5-TON - Continued		
TRUCK, CARGO: 6x6, LWB, WO/Winch, W/E	M54	4-147
TRUCK, CARGO: 6x6, LWB, W/Winch, W/E	M54A1	4-149
TRUCK, CARGO: 6x6, LWB, WO/Winch, W/E	M54A1	4-151
TRUCK, CARGO: 6x6, LWB, W/Winch, W/E	M54A2	4-153
TRUCK, CARGO: 6x6, LWB, WO/Winch, W/E	M54A2	4-155
TRUCK, CARGO: 6x6, LWB, W/Winch, W/E	M813	4-157
TRUCK, CARGO: 6x6, LWB, WO/Winch	M813	4-159
TRUCK, CARGO: 6x6, LWB, WO/Winch	M924	4-161
TRUCK, CARGO: 6x6, LWB, W/Winch, W/E	M926	4-163
TRUCK, CARGO: 6x6, XLWB, W/Winch, W/E	M55	4-165
TRUCK, CARGO: 6x6, XLWB, WO/Winch, W/E	M55	4-167
TRUCK, CARGO: 6x6, XLWB, W/Winch, W/E	M55A1	4-169
TRUCK, CARGO: 6x6, XLWB, W/Winch, W/E	M55A2	4-171
TRUCK, CARGO: 6x6, XLWB, WO/Winch, W/E	M55A2	4-173
TRUCK, CARGO: 6x6, XLWB, W/Winch, W/E	M814	4-175
TRUCK, CARGO: 6x6, XLWB, WO/Winch, W/E	M814	4-177
TRUCK, CARGO: 6x6, XLWB, W/Winch, W/E	M927	4-179
TRUCK, CARGO: 6x6, XLWB, WO/Winch, W/E	M927	4-181
TRUCK, CARGO: 6x6, XLWB, W/Winch, W/E	M928	4-183
TRUCK, CARGO: 6x6, Drop Side, W/Winch, W/E	M54A1C	4-185
TRUCK, CARGO: 6x6, Drop Side, WO/Winch, W/E	M54A1C	4-187
TRUCK, CARGO: 6x6, Drop Side, W/Winch, W/E	M54A2C	4-189
TRUCK, CARGO: 6x6, Drop Side, WO/Winch, W/E	M54A2C	4-191
TRUCK, CARGO: 6x6, Drop Side, W/Winch	M813A1	4-193
TRUCK, CARGO: 6x6, Drop Side, WO/Winch, W/E	M813A1	4-195
TRUCK, CARGO: 6x6, Drop Side, WO/Winch, W/E	M923	4-197
TRUCK, CARGO: 6x6, Drop Side, W/Winch, W/E	M925	4-199
TRUCK, CARGO: 8x8, W/Winch, W/E	M656	4-201
TRUCK, CARGO: 8x8, WO/Winch	M656	4-203
TRUCK, CHASSIS: 6x6, WO/Winch, W/E	M61A2	4-205
TRUCK, CHASSIS: 6x6, W/Winch, W/E	M809	4-207
TRUCK, CHASSIS: 6x6, WO/Winch, W/E	M809	4-209
TRUCK, CHASSIS: 6x6, W/Winch	M809A1	4-211
TRUCK, CHASSIS: 6x6, W/Winch, W/E	M810	4-213
TRUCK, CHASSIS: 6x6, WO/Winch, W/E	M810	4-215
TRUCK, CHASSIS: 6x6, W/Winch, W/E	M811	4-217
TRUCK, CHASSIS: 6x6, W/Winch, W/E	M811A1	4-219
TRUCK, CHASSIS: 6x6, WO/Winch, W/E	M811A2	4-221
TRUCK, CHASSIS: 6x6, W/Winch, W/E	M812	4-223
TRUCK, CHASSIS: 6x6, W/Winch, W/E	M939	4-225
TRUCK, CHASSIS: 6x6, WO/Winch, W/E	M939	4-227
TRUCK, CHASSIS: 6x6, W/Winch, W/E	M940	4-229
TRUCK, CHASSIS: 6x6, W/Winch, W/E	M941	4-231
TRUCK, CHASSIS: 6x6, WO/Winch, W/E	M941	4-233
TRUCK, CHASSIS: 6x6, W/Winch, W/E	M942	4-235
TRUCK, CHASSIS: 6x6, WO/Winch, W/E	M942	4-237
TRUCK, CHASSIS: 6x6, WO/Winch, W/E	M944	4-239
TRUCK, DUMP: 6x6, W/Winch	M51	4-241

TRUCK AND TRUCK TRACTORS (CLASS 2320) - Continued

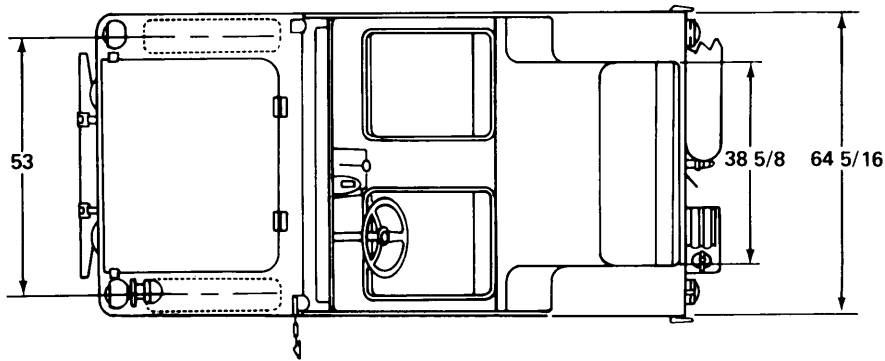
Type	Model	Page
5-TON - Continued		
TRUCK, DUMP: 6x6, WO/Winch	M51	4-243
TRUCK, DUMP: 6x6, W/Winch, W/E	M51A1	4-245
TRUCK, DUMP: 6x6, WO/Winch, W/E	M51A1	4-247
TRUCK, DUMP: 6x6, W/Winch, W/E	M51A2	4-249
TRUCK, DUMP: 6x6, WO/Winch, W/E	M51A2	4-251
TRUCK, DUMP: 6x6, W/Winch, W/E	M817	4-253
TRUCK, DUMP: 6x6, WO/Winch, W/E	M817	4-255
TRUCK, DUMP: 6x6, WO/Winch, W/E	M929	4-257
TRUCK, DUMP: 6x6, W/Winch, W/E	M930	4-259
TRUCK, MEDIUM WRECKER: 6x6, W/Winch	M936	4-261
TRUCK, STAKE: Bridge Transporter, 6x6, W/Winch, W/E	M328A1	4-263
TRUCK, STAKE: Bridge Transporter, 6x6, W/Winch, W/E	M821	4-265
TRUCK, TRACTOR: 6x6, W/Winch, W/E	M52	4-267
TRUCK, TRACTOR: 6x6, WO/Winch, W/E	M52	4-269
TRUCK, TRACTOR: 6x6, W/Winch, W/E	M52A1	4-271
TRUCK, TRACTOR: 6x6, WO/Winch, W/E	M52A1	4-273
TRUCK, TRACTOR: 6x6, W/Winch, W/E	M52A2	4-275
TRUCK, TRACTOR: 6x6, WO/Winch, W/E	M52A2	4-277
TRUCK, TRACTOR: 6x6, W/Winch, W/E	M818	4-279
TRUCK, TRACTOR: 6x6, WO/Winch	M818	4-281
TRUCK, TRACTOR: 6x6, WO/Winch	M931	4-283
TRUCK, TRACTOR: 6x6, W/Winch, W/E	M932	4-285
TRUCK, TRACTOR: 8x8, W/Winch, W/E	M757	4-287
TRUCK, TRACTOR: 6x6, Wrecker, W/Winch, W/E	M246	4-289
TRUCK, TRACTOR: 6x6, Wrecker, W/Winch, W/E	M246A2	4-291
TRUCK, TRACTOR: 6x6, Wrecker, W/Winch	M819	4-293
TRUCK, VAN: 6x6, Expansible, WO/Winch, W/E, (ARMY)	M291A1	4-295
TRUCK, VAN: 6x6, Expansible, WO/Winch, W/E	M291A1C	4-297
TRUCK, VAN: 6x6, Expansible, W/Hydraulic Lift Gate, WO/Winch, W/E	M291A1 D	4-299
TRUCK, VAN: 6x6, Expansible, WO/Winch, W/E	M291A2C	4-301
TRUCK, VAN: 6x6, Expansible, WO/Winch, W/E, (ARMY)	M820	4-303
TRUCK, VAN: 6x6, Expansible, W/Hydraulic Lift Gate, WO/Winch, W/E	M820A2	4-305
TRUCK, VAN: 6x6, Expansible, WO/Winch	M820A1	4-307
TRUCK, VAN: 6x6, Expansible, WO/Winch	M934	4-309
TRUCK, VAN: Expansible, W/Hydraulic Lift Gate, WO/Winch	M935	4-311
TRUCK, VAN: 8x8, Expansible, W/Winch, W/E	M791	4-313
TRUCK, WRECKER: 6x6, W/Winch, W/E	M62	4-315
TRACTOR, WRECKER: 6x6, W/Winch, W/E	M246A1	4-317
TRUCK, WRECKER: 6x6, W/Winch	M543	4-319
TRUCK, WRECKER: 6x6, W/Winch, W/E	M543A1	4-321
TRUCK, WRECKER: 6x6, W/Winch, W/E	M543A2	4-323
TRUCK, WRECKER: 6x6, W/Winch, W/E	M816	4-325
TRUCK, TRACTOR: Yard, Type 4x2	M878	4-327
TRUCK, TRACTOR: Yard, Type 4x2	M878A1	4-329

TRUCK AND TRUCK TRACTORS (CLASS 2320) - Continued

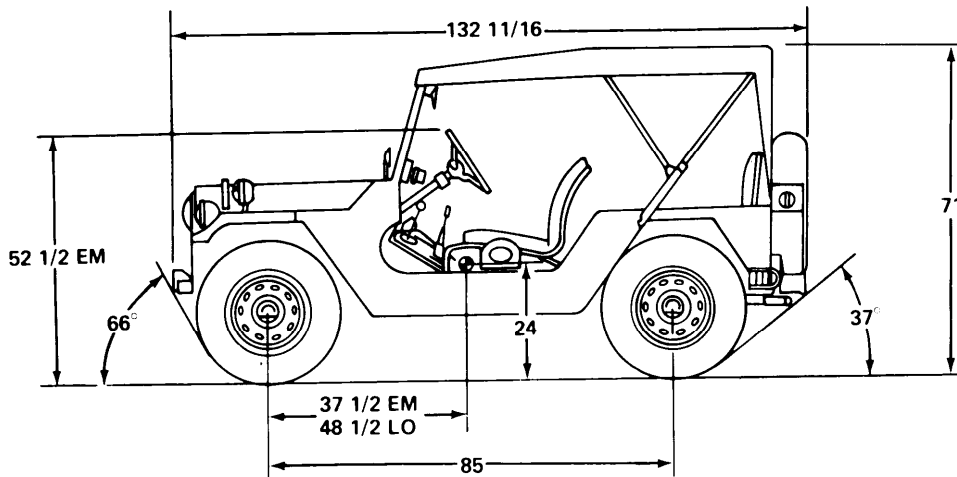
Type	Model	Page
8-TON		
TRUCK, CARGO: 4x4, W/Winch	M520	4-331
TRUCK, CARGO: 4x4, WO/Winch, W/E	M520	4-333
TRUCK, CARGO: 4x4, W/Crane, W/Winch	M877	4-335
TRUCK, CARGO: 4x4, W/Crane, WO/Winch	M877	4-337
10-TON		
TRUCK, CARGO: 6x6, W/Winch, W/E	M125	4-339
TRUCK, CARGO: 6x6, W/Winch	M125A1	4-341
TRUCK, CARGO: 8x8, HEMTT, W/Winch	M977	4-343
TRUCK, CARGO: 8x8, HEMTT, WO/Winch	M977	4-345
TRUCK, CARGO: 8x8, HEMTT, 57,000 GVW, W/Winch, C/S	M985	4-347
TRUCK, CARGO: 8x8, HEMTT, W/MTD Crane, WO/Winch	M985	4-349
TRUCK, TRACTOR: 8x8, HEMTT, W/Crane, W/Winch	M983	4-351
TRUCK, TRACTOR: 8x8, HEMTT, WO/Crane, W/Winch	M983	4-353
TRUCK, WRECKER: 4x4, W/Winch	M553	4-355
TRUCK, WRECKER: Recovery, 8x8, HEMTT, W/Winch	M984	4-357
14-TON		
TRUCK, TRACTOR: Line Haul, 6x4, 50,000 GVW	M915	4-359
20-TON		
TRUCK, DUMP: 8x6	M917	4-361
TRUCK, TRACTOR: 6x4, Line Haul, Light Weight Equipment, 50,000 GVWR	M915A1	4-363
TRUCK, TRACTOR: Light Equipment, 6x6, 56,000 GVW	M916	4-365
TRUCK, TRACTOR: Medium Equipment, 8x6, 75,000 GVW, W/Winch	M920	4-367
22 1/2-TON		
TRUCK, TRACTOR: HET, 8x8, W/Dual Midship Winch, W/E	M746	4-369
TRUCK, BITUMINOUS: Distributor, 6x6	M918	4-371
TRUCK, CONCRETE-MOBILE MIXER: 8x6, 8 CU yds	M919	4-373
TRUCK, TANK: Fuel Servicing, 4x4, 2,500 gal, W/Winch	M559	4-375
TRUCK, TANK: Fuel Servicing, 4x4, 2,500 gal, WO/Winch, W/E	M559	4-377
TRUCK, TANK: Fuel Servicing, 8x8, 2,500 gal, HEMTT, W/Winch	M978	4-379
TRUCK, TANK: Fuel Servicing, 8x8, 2,500 gal, HEMTT, WO/Winch	M978	4-381
TRUCK, TRACTOR: Commercial Heavy Equipment Transporter (C-HET), 8x6, 85,952 GVW/R	M911	4-383/ (4-384 blank)



NOTE:
ALL DIMENSIONS ARE IN INCHES.



LEGEND
EM - EMPTY
LO - LOADED



TA208562

PURPOSE: To transport personnel and general cargo.

GENERAL INFORMATION

Nomenclature: TRUCK, UTILITY:
1/4-Ton, 4x4

Model Number: M151A2

Crew/Cab Capacity: 4

NSN: 2320-00-177-9258

LIN: X60833

SSN: D151020

TM: 9-2320-218-Series

CHARACTERISTICS

Horsepower: Pre-emission -71 bhp @
4,000 rpm; Emission -65 bhp @ 4,000 rpm

Transmission: Manual; 4 Fwd, 1 Rev

Electrical System: 24 Volt

Tires: 7:00 x 16, ply-4 (6 ply rating)

Brakes: Hydraulic

Blackout Lights: Yes

PERFORMANCE DATA

Fording:

W/Kit: 60 in

WO/Kit: 21 in

Approach Angle: 66 Degrees

VEHICLE DATA

Type Classification & Date: Std A, 1971

Replaces: M151, M151A1

Life Expectancy: 12 Years

Payload: 800 lb (Including Crew)

Towed Load Allowance: Trailer W/Brakes
1,170 lb

Air Transportability: Phase 1

EQUIPMENT OPTIONS

Kits: Fording, 100 AMP Alternator,
Winterization, Hard Top, Door and Side
Curtain, Machine Gun Mounting, M16/M14 Rifle
Mounting

SHIPPING DATA

Curb Weight, Fully Equipped Less Payload and
Crew:

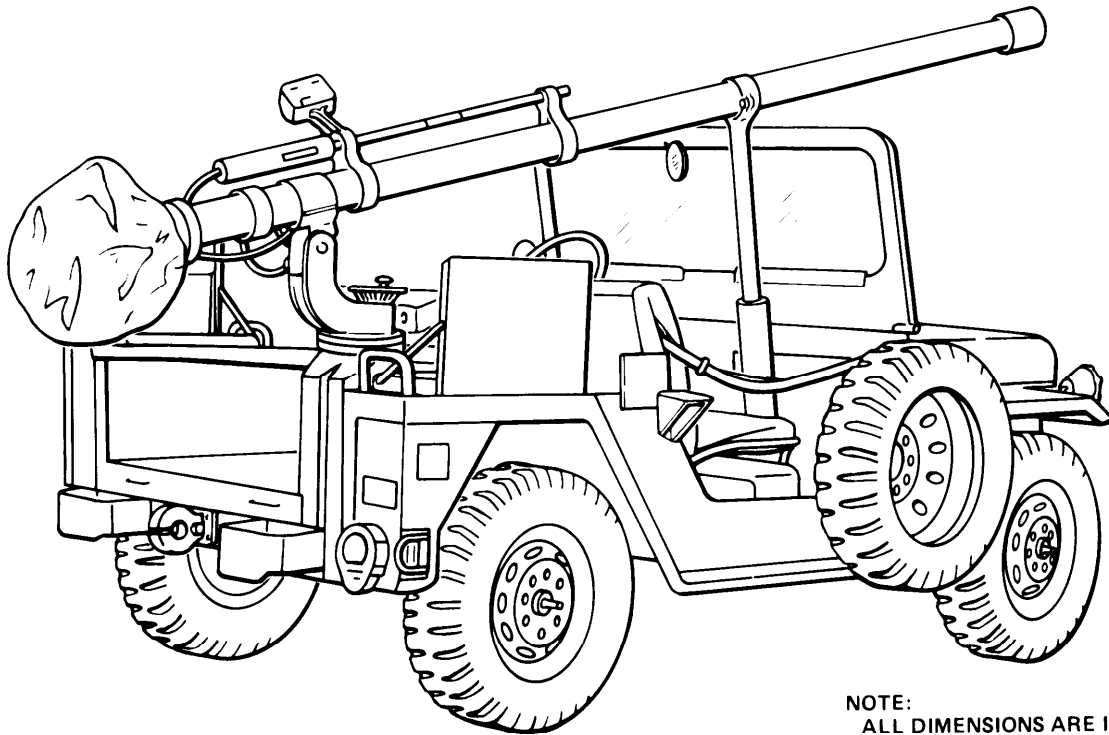
Front Axle -1,362 lb
Rear Axle -1,078 lb
Total -2,440 lb

Gross Weight, Fully Equipped With Payload
and Crew:

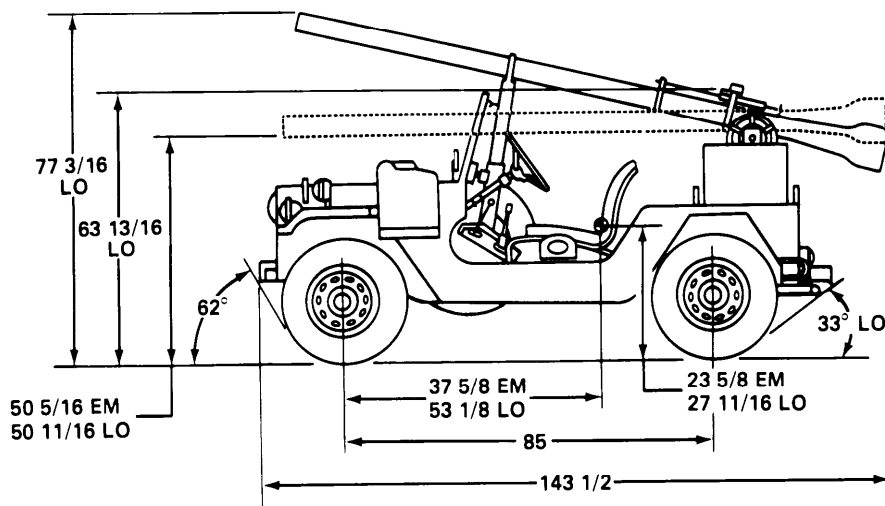
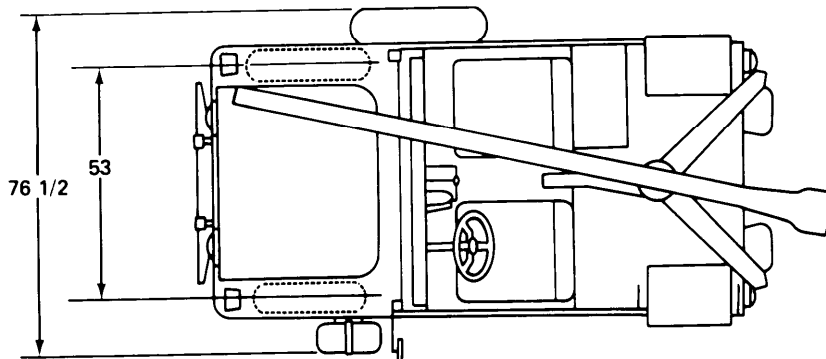
Front Axle -1,762 lb
Rear Axle- 1,478 lb
Total -3,240 lb

Cube: 350 cu ft (Reducible to 260 cu ft)

Minimum Ground Clearance:



NOTE:
ALL DIMENSIONS ARE IN INCHES.



LEGEND
EM - EMPTY
LO - LOADED

TA208585

PURPOSE: To provide a mobile weapons system; a 106 MM recoilless rifle on a M79 rifle mount.

GENERAL INFORMATION

Nomenclature: TRUCK, UTILITY: 1/4-Ton, 4x4, Carrier for 106 MM Rifle, W/E

Model Number: M825

Crew/Cab Capacity: 4

NSN: 2320-00-177-9257

LIN: X61244

SSN: D151030

TM: 9-2320-218-Series

CHARACTERISTICS

Horsepower: Pre-emission -71 bhp @ 4,000 rpm; Emission -65 bhp @ 4,000 rpm

Transmission: Manual; 4 Fwd, 1 Rev

Electrical System: 24 Volt

Tires: 7:00 x 16, ply-4 (6 ply rating)

Brakes: Hydraulic

Blackout Lights: Yes

PERFORMANCE DATA

Fording:

W/Kit: NIA

WO/Kit: 21 in

Approach Angle: 62 Degrees

VEHICLE DATA

Type Classification & Date: Std A, 1971

Replaces: M38A1C, M151A1C

Life Expectancy: 12 Years

Payload: 1,730 lb (Including Crew)

Towed Load Allowance: None Authorized (Pintle Hook for Retrieving Vehicle Only)

Air Transportability: Phase 1

EQUIPMENT OPTIONS

Kits: 100 Amp Alternator, M16/M14 Rifle Mounting

Winch: No

SHIPPING DATA

Curb Weight, Fully Equipped Less Payload and Crew:

Front Axle -1,445 lb
Rear Axle -1,145 lb
Total -2,590

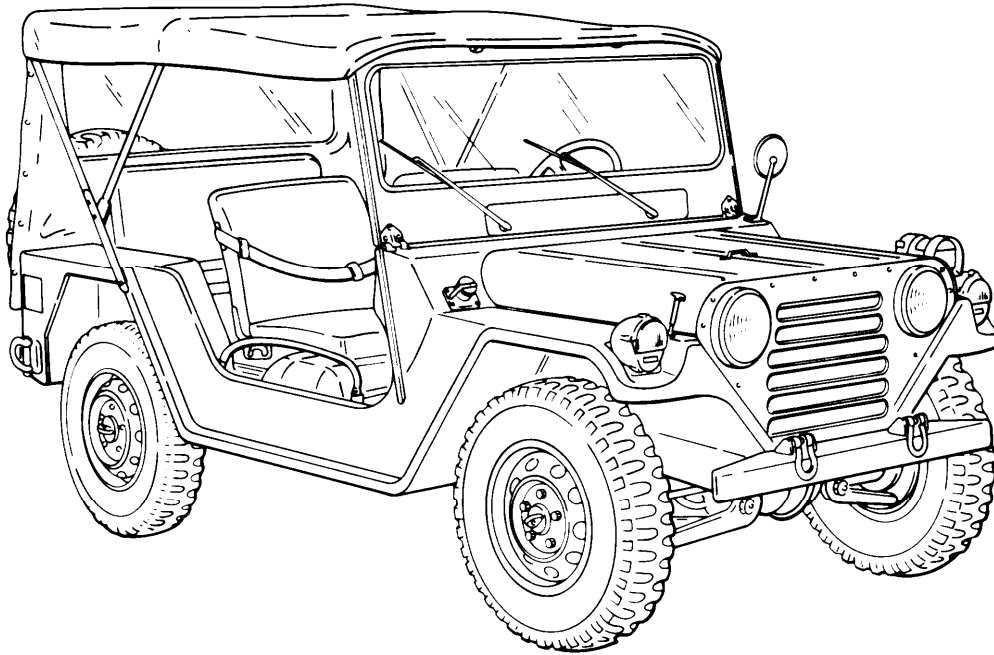
Gross Weight, Fully Equipped With Payload and Crew:

Front Axle -1,620 lb
Rear Axle -2,700 lb
Total -4,320 lb

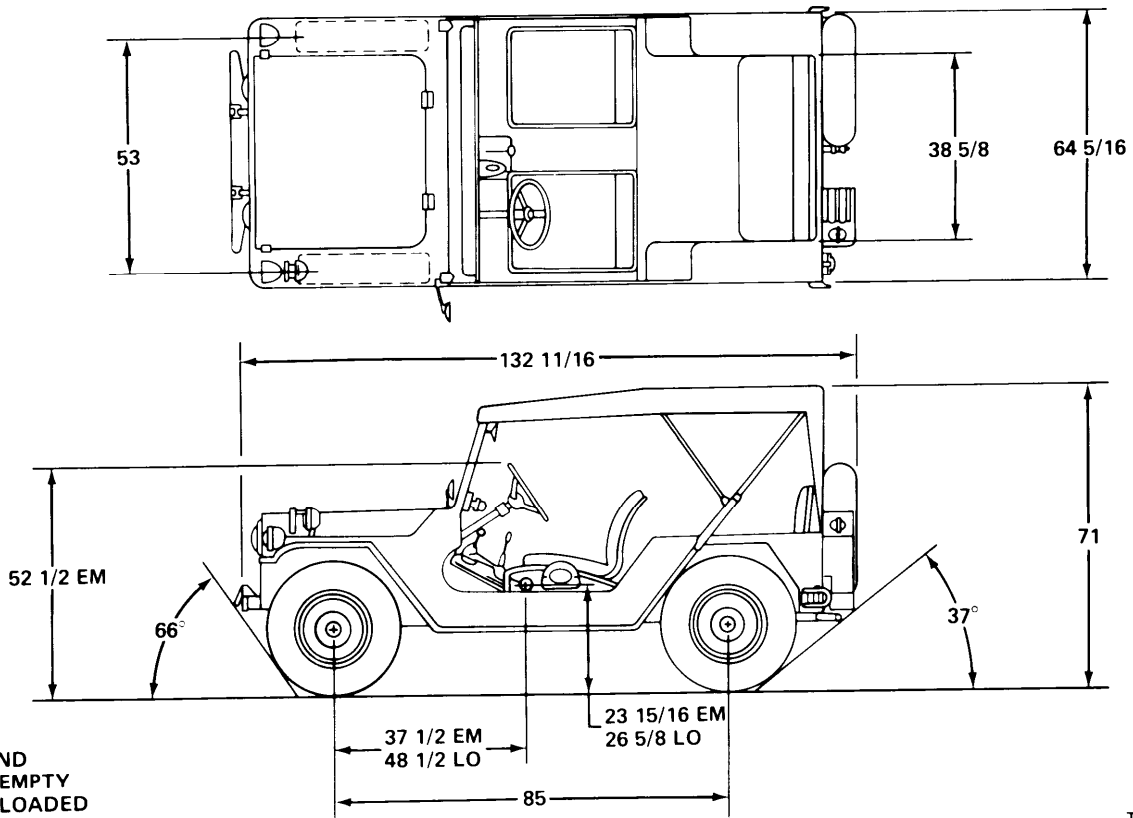
Cube: 405 cu ft (Reducible to 284 cu ft), WO/Gun and Fuel Can Bracket

Minimum Ground Clearance: Rear Axle 9.6 in*, Under Chassis 8.27 in* *

* At Combat Loaded Weight
** At Rear Shock Bracket



NOTE:
ALL DIMENSIONS ARE IN INCHES.



TA208884

PURPOSE: To use over all types of roads as well as cross-country terrain and in all weather conditions. Transport personnel and general cargo.

GENERAL INFORMATION

Nomenclature: TRUCK, UTILITY: 1/4-Ton, 4x4, W/E

Model Number: M151

Crew/Cab Capacity: 4

NSN: 2320-00-542-4783

LIN: X60833

SSN: D151020

TM: 9-2320-218-Series

CHARACTERISTICS

Horsepower: Pre-emission - 71 bhp @ 4,000 rpm; Emission - 65 bhp @ 4,000 rpm

Transmission: Manual; 4 Fwd, 1 Rev

Electrical System: 24 Volt

Tires: 7:00 x 16, ply-4 (6 ply rating)

Brakes: Hydraulic

Blackout Lights: Yes

PERFORMANCE DATA

Fording:

W/Kit: 60 in

WO/Kit: 21 in

Approach Angle: 66 Degrees

VEHICLE DATA

Type Classification & Date: Std B, 1965

Replaced By: M151A2

Life Expectancy: 12 Years

Payload: 800 lb (Including Crew)

Towed Load Allowance: Trailer w/Brakes
1,170 lb

Air Transportability: Phase 1

EQUIPMENT OPTIONS

Kits: Deep Water Fording, 100 Amp Alternator, Heater, Winterization, Hard Top, Door and Side Curtain, Machine Gun Mounting, M16/M14 Rifle Mounting

Winch: No

SHIPPING DATA

Curb Weight, Fully Equipped Less Payload and Crew:

Front Axle - 1,362 lb

Rear Axle - 1,078 lb

Total - 2,440 lb

Gross Weight, Fully Equipped With Payload and Crew:

Front Axle - 1,762 lb

Rear Axle - 1,478 lb

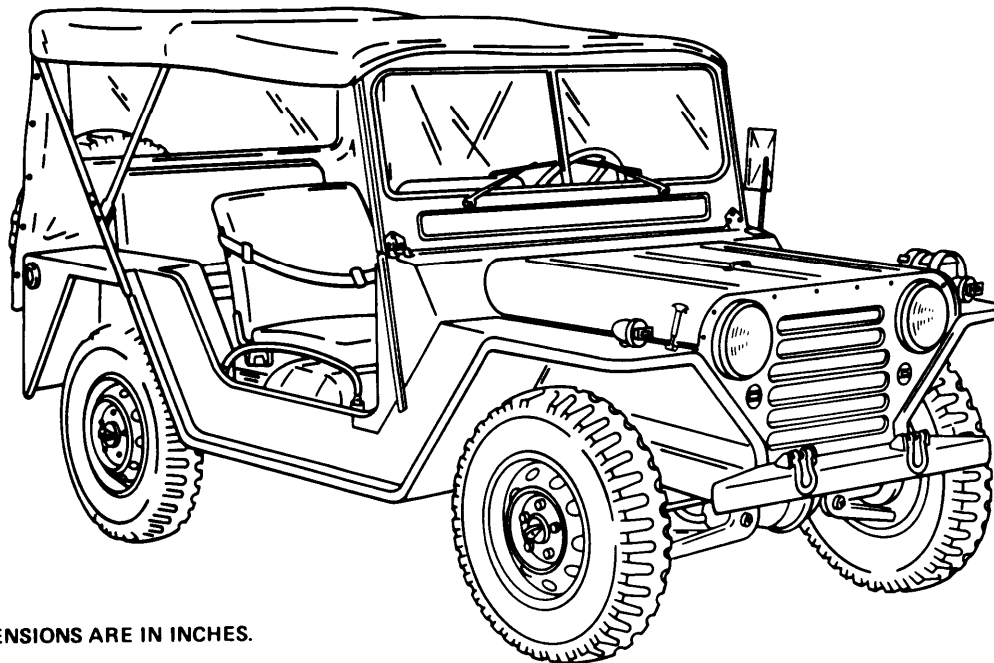
Total - 3,240 lb

Cube: 350 cu ft (Reducible to 260 cu in)

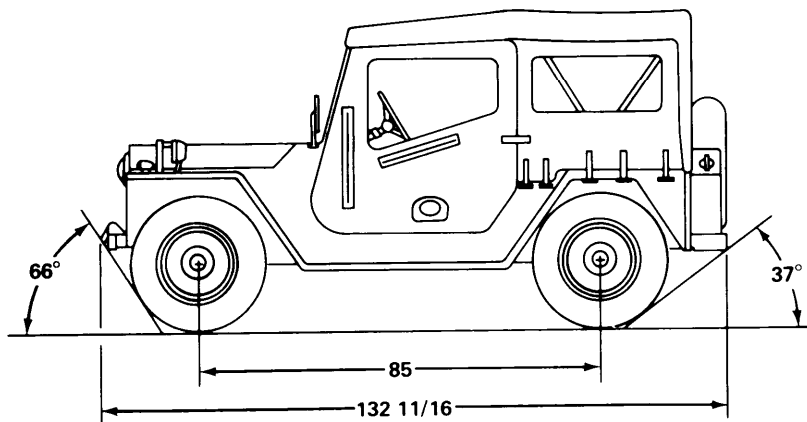
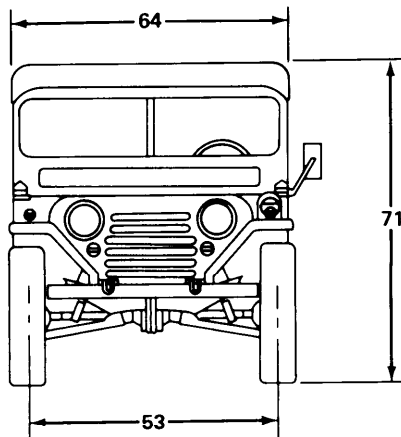
Minimum Ground Clearance: Rear Axle
11.4 in*, Under Chassis 9.47 in* *

*At Combat Loaded Weight

**At Rear Shock Bracket



NOTE:
ALL DIMENSIONS ARE IN INCHES.



TA208991

PURPOSE: To transport personnel and general cargo.

GENERAL INFORMATION

Nomenclature: TRUCK, UTILITY: 1/4-Ton, 4x4, W/E

Model Number: M151A1

Crew/Cab Capacity:

NSN: 2320-00-763-1092

LIN: X60833

SSN: D151020

TM: 9-2320-218-Series

CHARACTERISTICS

Horsepower: Pre-emission -71 bhp @ 4,000 rpm; Emission - 65 bhp @ 4,000 rpm

Transmission: Manual; 4 Fwd, 1 Rev

Electrical System: 24 Volt

Tires: 7:00 x 16, ply-4 (6 ply rating)

Brakes: Hydraulic

Blackout Lights: Yes

PERFORMANCE DATA

Fording:

W/Kit: 60 in

WO/Kit: 21 in

Approach Angle: 66 Degrees

VEHICLE DATA

Type Classification & Date: Std B, 1971

Replaced By: M151A2

Life Expectancy: 12 Years

Payload: 800 lb (Including Crew)

Towed Load Allowance: Trailer w/Brakes
1,170 lb

Air Transportability: Phase 1

EQUIPMENT OPTIONS

Kits: Deep Water Fording, 100 Amp Alternator, Heater, Winterization, Hard Top, Door and Side Curtain, Machine Gun Mounting, M16/M14 Rifle Mounting

Winch: No

SHIPPING DATA

Curb Weight, Fully Equipped Less Payload and Crew:

Front Axle -1,362 lb
Rear Axle -1,078 lb
Total -2,440 lb

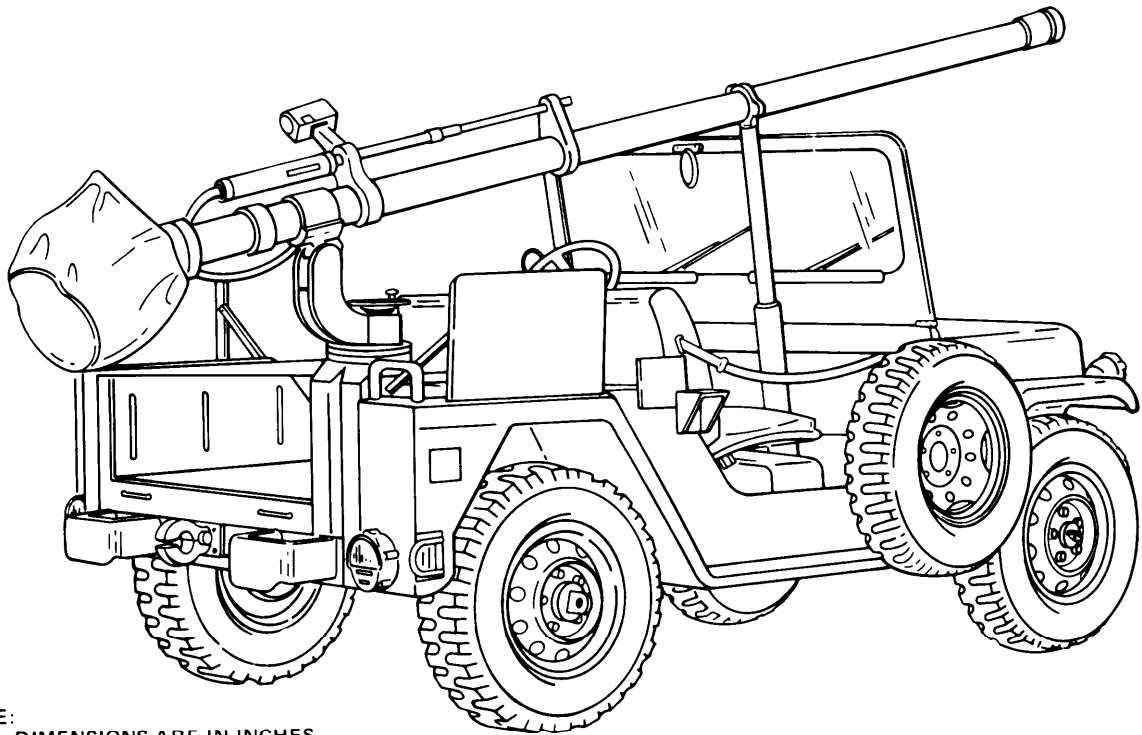
Gross Weight, Fully Equipped With Payload and Crew:

Front Axle -1,762 lb
Rear Axle -1,478 lb
Total -3,240 lb

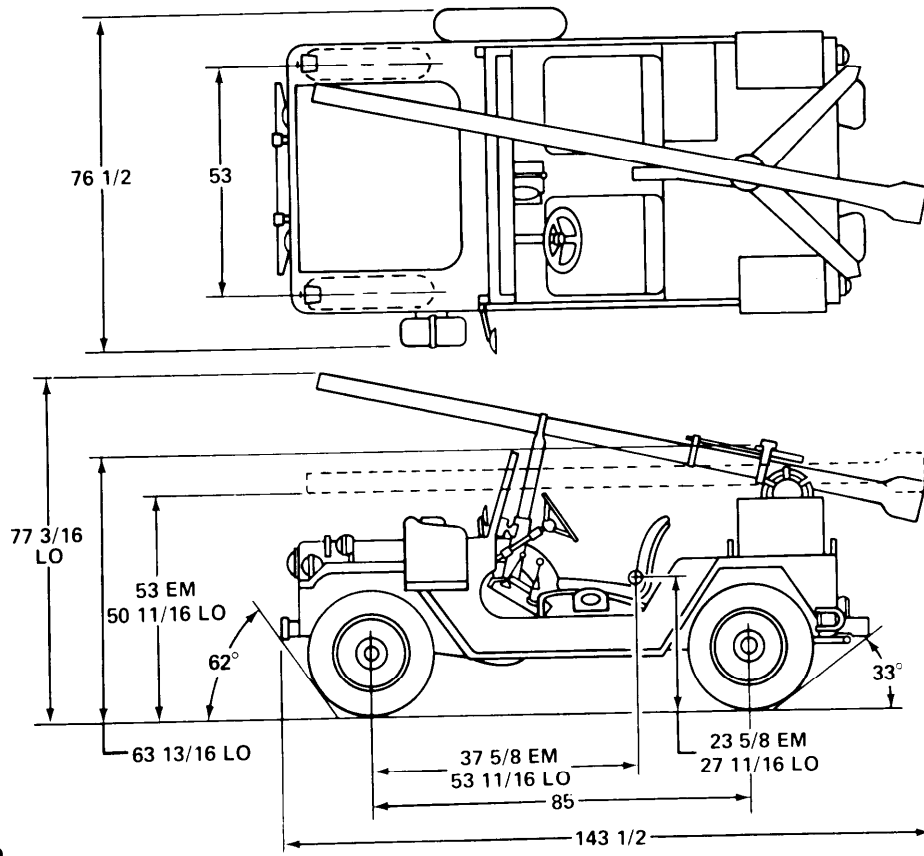
Cube: 350 cu in (Reducible to 260 cu in)

Minimum Ground Clearance: Rear Axle
11.4 in*, Under Chassis 9.47 in* *

*At Combat Loaded Weight
* *At Rear Shock Bracket



NOTE:
ALL DIMENSIONS ARE IN INCHES.



LEGEND
EM · EMPTY
LO · LOADED

TA208885

PURPOSE: To provide a mobile weapons system; a 106 MM recoil less rifle on a M79 rifle mount.

GENERAL INFORMATION

Nomenclature: TRUCK, UTILITY: 1/4-Ton, 4x4, Carrier for 106 MM Rifle, W/E

Model Number: M151A1C

Crew/Cab Capacity: 2

NSN: 2320-00-763-1091

LIN: X61244

SSN: D151030

TM: 9-2320-218-Series

CHARACTERISTICS

Horsepower: 71 bhp @ 4,000 rpm

Transmission: Manual; 4 Fwd, 1 Rev

Electrical System: 24 Volt

Tires: 7:00 x 16, ply-4 (6 ply rating)

Brakes: Hydraulic

Blackout Lights: Yes

PERFORMANCE DATA

Fording:

W/Kit: N/A

WO/Kit: 21 in

Approach Angle: 62 Degrees

VEHICLE DATA

Type Classification & Date: Std B, 1971

Replaced By: M825

Life Expectancy: 12 Years

Payload: 1,730 lb (Including Crew)

Towed Load Allowance: None Authorized
(Pintle Hook for Retrieving Vehicle Only)

Air Transportability: Phase 1

EQUIPMENT OPTIONS

Kits: 100 Amp Alternator, M16/M14 Rifle Mounting

Winch: No

SHIPPING DATA

Curb Weight, Fully Equipped Less Payload and Crew:

Front Axle - 1,445 lb

Rear Axle - 1,145 lb

Total - 2,590 lb

Gross Weight, Fully Equipped With Payload and Crew:

Front Axle - 1,620 lb

Rear Axle - 2,700 lb

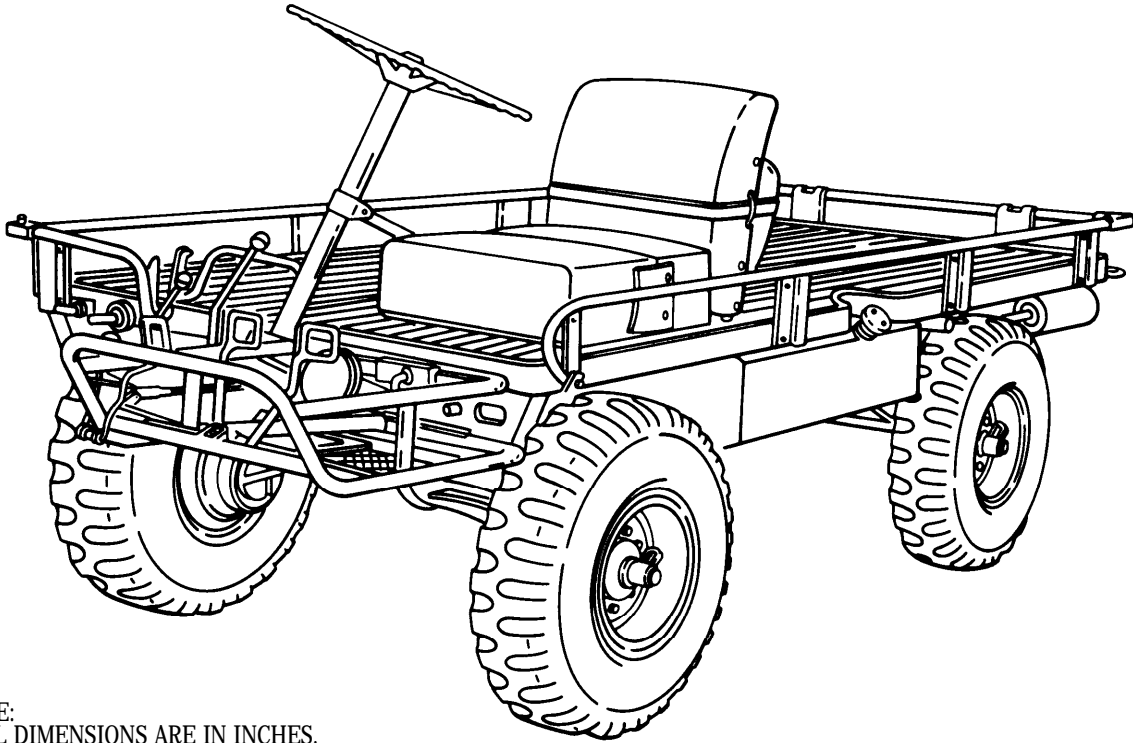
Total - 4,320 lb

Cube: 465 cu ft (Reducible to 284 cu ft) WO/
Gun and Fuel Can Bracket

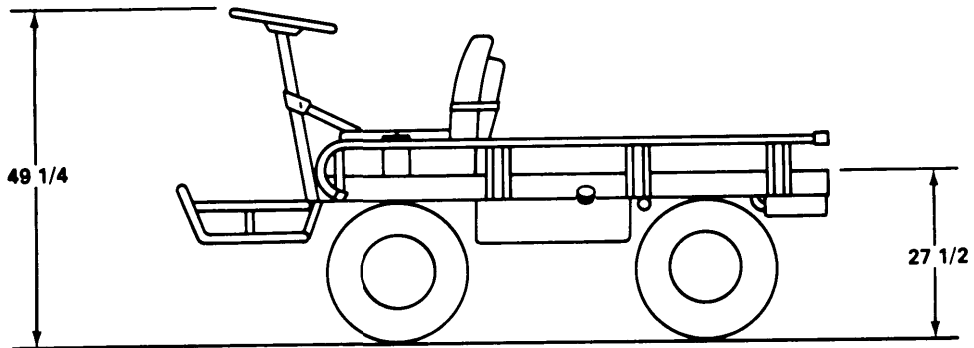
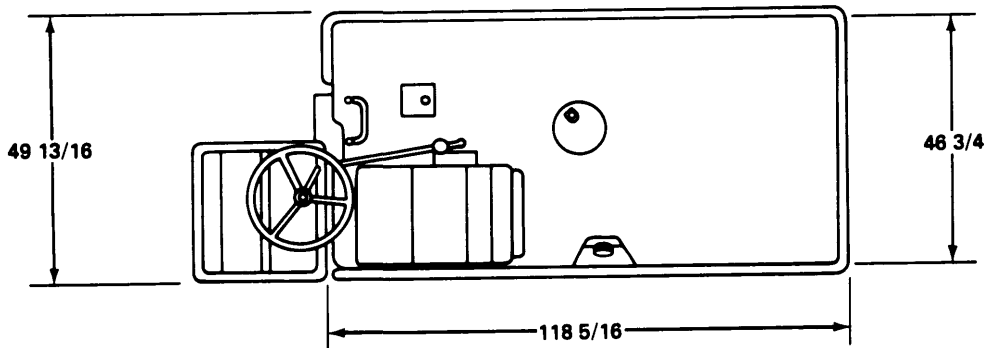
Minimum Ground Clearance: Rear Axle
9.6 in*, Under Chassis 8.27 in* *

* At Combat Loaded Weight

* *At Rear Shock Bracket



NOTE:
ALL DIMENSIONS ARE IN INCHES.



TA200895

PURPOSE: Lightweight vehicle designed to carry light cargo over rough terrain at slow speed with a very low silhouette and keep pace with riflemen at foot speeds in combat.

GENERAL INFORMATION

Nomenclature: TRUCK, PLATFORM:
1/2 Ton, 4x4, Utility, W/E

Model Number: M274

Crew/Cab Capacity: 1

NSN: 2320-00-049-4804

LIN: X55627

SSN: D184010

TM: 9-2320-246-Series

VEHICLE DATA

Type Classification & Date: Std C, 1967

Replaces/Replaced By:

Life Expectancy: 10 Years

Payload: 800 lb

Towed Load Allowance: N/A

Air Transportability: Phase I

CHARACTERISTICS

Horsepower: 13.6 bhp @ 3,000 rpm

Transmission: Manual; 3 Fwd, 1 Rev

Electrical System: Magneto

Tires: 7:50 x 10, 4-ply

Brakes: Mechanical

Blackout Lights: No

EQUIPMENT OPTIONS

Kits: Armament, Litter

Winch: No

PERFORMANCE DATA

Fording:

W/Kit: 48 in

WO/Kit: 18 in

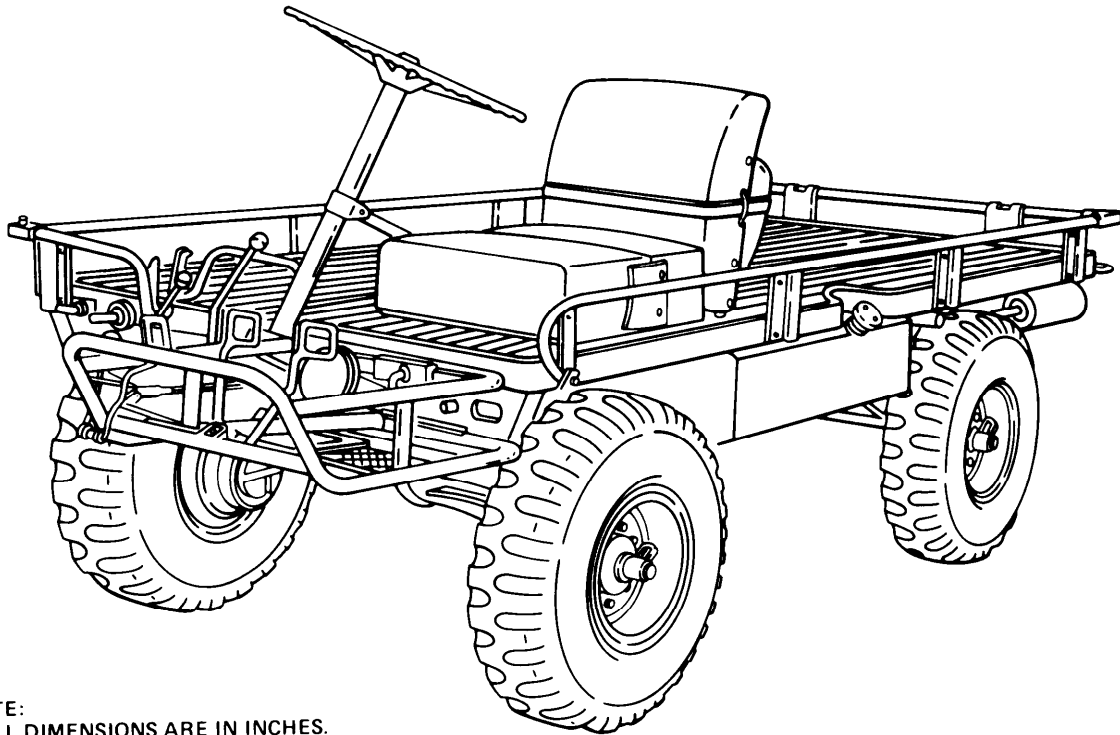
Approach Angle: 40 Degrees

SHIPPING DATA

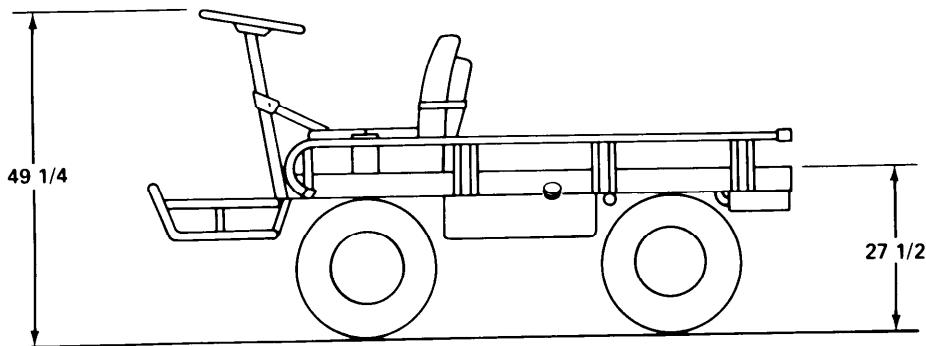
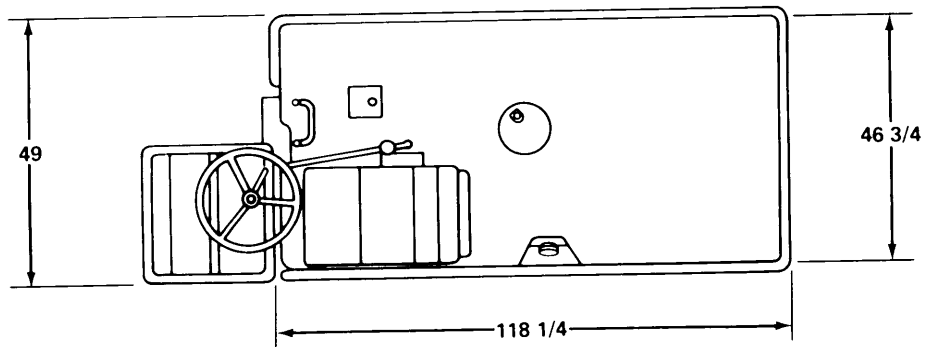
Weight: 925 lb

Cube: 171 cu ft

Ground Clearance: 11 1/2 in



NOTE:
ALL DIMENSIONS ARE IN INCHES.



TA208879

PURPOSE: Lightweight vehicle designed to carry light cargo over rough terrain at slow speed with a very low silhouette and keep pace with riflemen at foot speeds in combat.

GENERAL INFORMATION

Nomenclature: TRUCK, PLATFORM:
1/2 Ton, 4x4, Utility, W/E

Model Number: M274A1

Crew/Cab Capacity: 1

NSN: 2320-00-064-6373

LIN: X55627

SSN: D184010

TM: 9-2320-246-Series

VEHICLE DATA

Type Classification & Date: Std B, 1964

Replaced by:

Life Expectancy: 10 Years

Payload: 1,000 lb

Towed Load Allowance:

Air Transportability: Phase 1

CHARACTERISTICS

Horsepower: 13.6 bhp @ 3,000 rpm

Transmission: Manual, 3 Fwd 1 Rev

Electrical System: Magneto

Tires: 7:50 x 10, 4-ply

Brakes: Mechanical

Blackout Lights: No

EQUIPMENT OPTIONS

Kits: Armament, Litter

Winch: No

PERFORMANCE DATA

Fording:

W/Kit: None

WO/Kit: 18 in

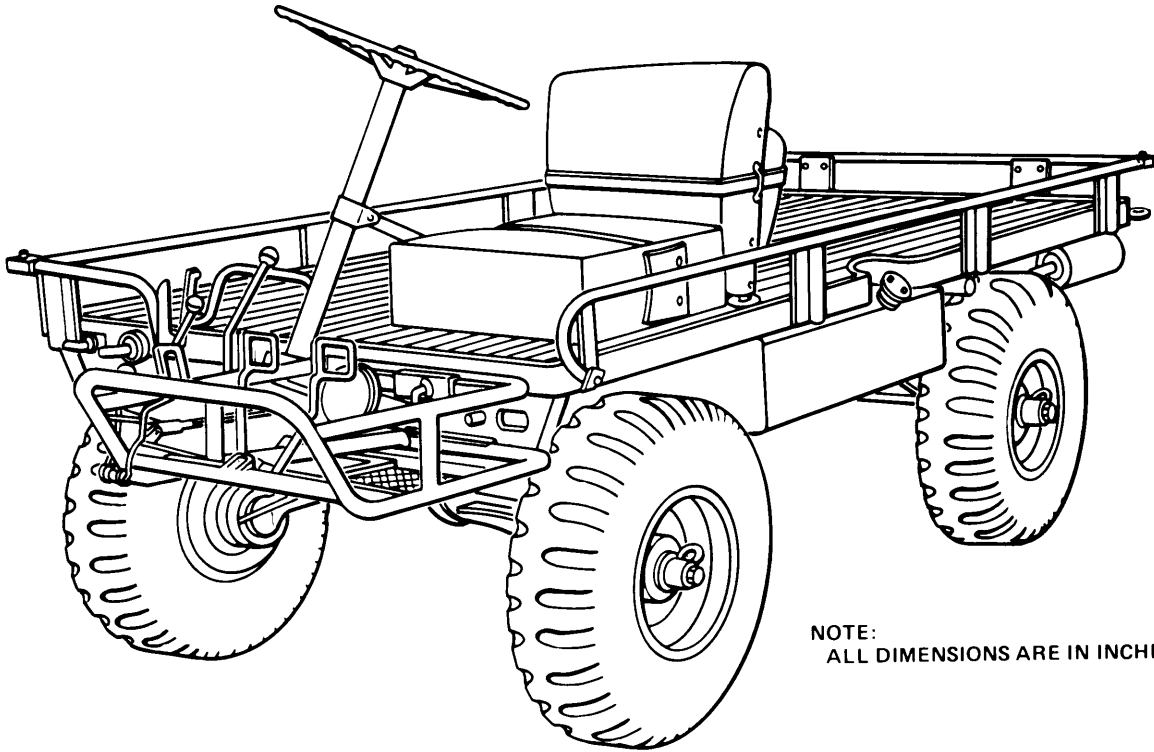
Approach Angle: 40 Degrees

SHIPPING DATA

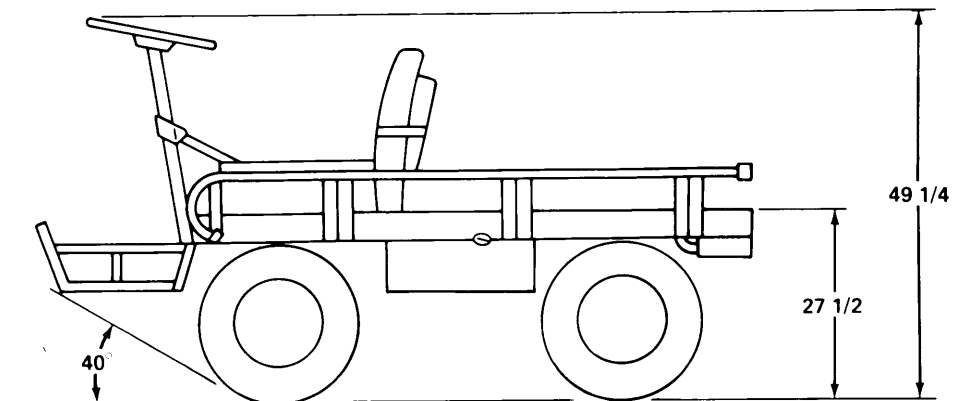
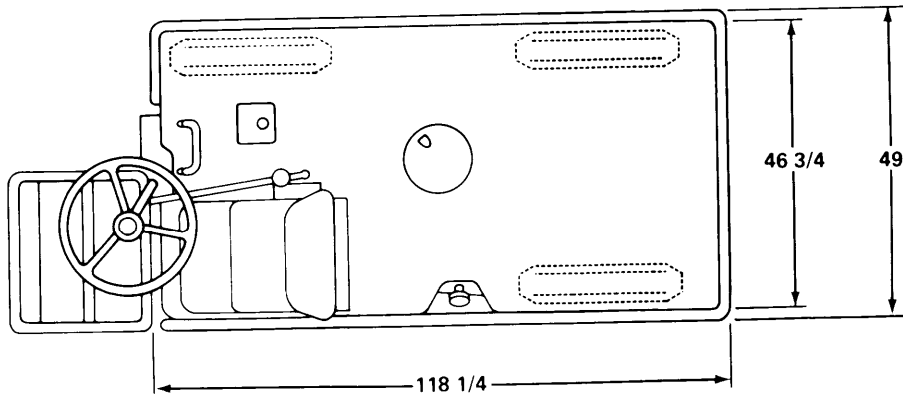
Weight: 900 lb

Cube: 171 cu ft

Ground Clearance: 11 1/2 in



NOTE:
ALL DIMENSIONS ARE IN INCHES.



TA208561

PURPOSE: Lightweight vehicle designed to carry light cargo over rough terrain at slow speed with a very low silhouette and keep pace with riflemen at foot speeds in combat.

GENERAL INFORMATION

Nomenclature: TRUCK, PLATFORM:
1/2 Ton, 4x4, Utility, W/E

Model Number: M274A2

Crew/Cab Capacity: 1

NSN: 2320-00-074-1167

LIN: X55627

SSN: D184010

TM: 9-2320-246-Series

CHARACTERISTICS

Horsepower: 13.6 bhp @ 3,000 rpm

Transmission: Manual; 3 Fwd, 1 Rev

Electrical System:

Tires: 7:50 x 10, 4-ply

Brakes: Mechanical

Blackout Lights: No

PERFORMANCE DATA

Fording:

W/Kit: None

WO/Kit: 18 in

Approach Angle: 40 Degrees

VEHICLE DATA

Type Classification & Date: Std A, 1964

Replaces: M274A1, A3, and A5

Life Expectancy: 10 Years

Payload: 1,000 lb

Towed Load Allowance:

Air Transportability: Phase I

EQUIPMENT OPTIONS

Kits: Armament, Litter

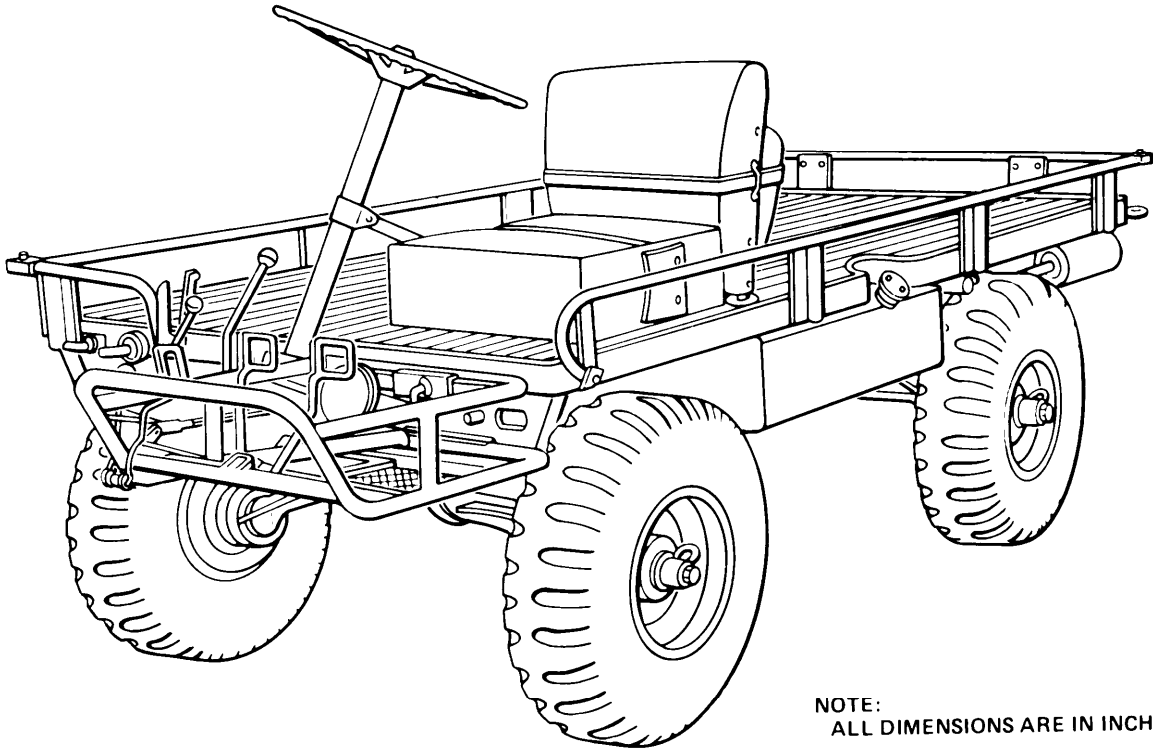
Winch: No

SHIPPING DATA

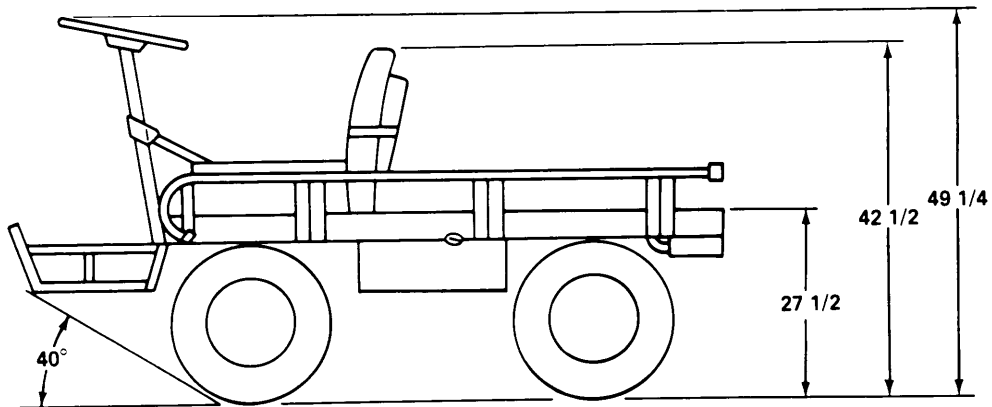
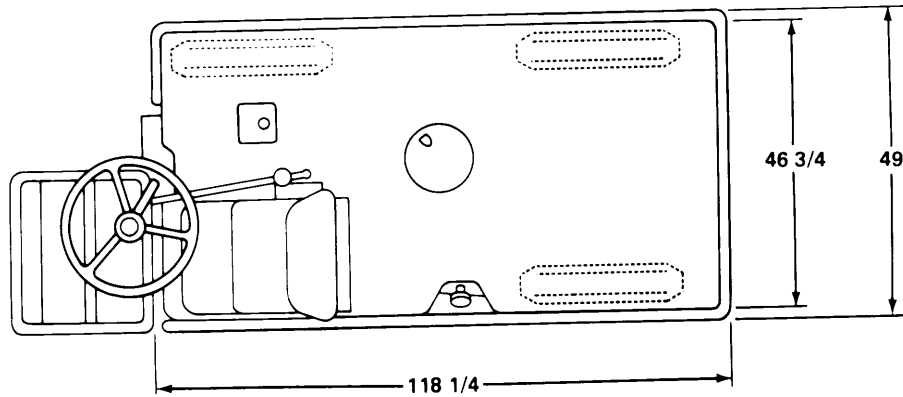
Weight: 900 lb

Cube: 171 cu ft

Ground Clearance: 11 1/2 in



NOTE:
ALL DIMENSIONS ARE IN INCHES.



TA208577

PURPOSE: Designed as infantry ammunition light cargo, personnel, and weapons carrier. Will operate over all types of roads, cross-country terrain, and in all types of weather.

GENERAL INFORMATION

Nomenclature: TRUCK, PLATFORM:
1/2 Ton, Utility

Model Number: M274A3

Crew/Cab Capacity: 1

NSN: 2320-00-782-5792

LIN: X55627

SSN: D184000

TM: 9-2320-246-Series

CHARACTERISTICS

Horsepower: 13.6 bhp @ 3,000 rpm

Transmission: Manual; 3 Fwd, 1 Rev

Electrical System: Magneto

Tires: 7:50 x 10, 4-ply

Brakes: Mechanical

Blackout Lights: No

PERFORMANCE DATA

Fording:

W/Kit:

WO/Kit: 18 in

Approach Angle: 40 Degrees

VEHICLE DATA

Type Classification & Date: Std B, 1965

Replaced By: M274A5

Life Expectancy: 10 Years

Payload: 1,000 lb

Towed Load Allowance:

Air Transportability: Phase I

EQUIPMENT OPTIONS

Kits: Armament, Litter

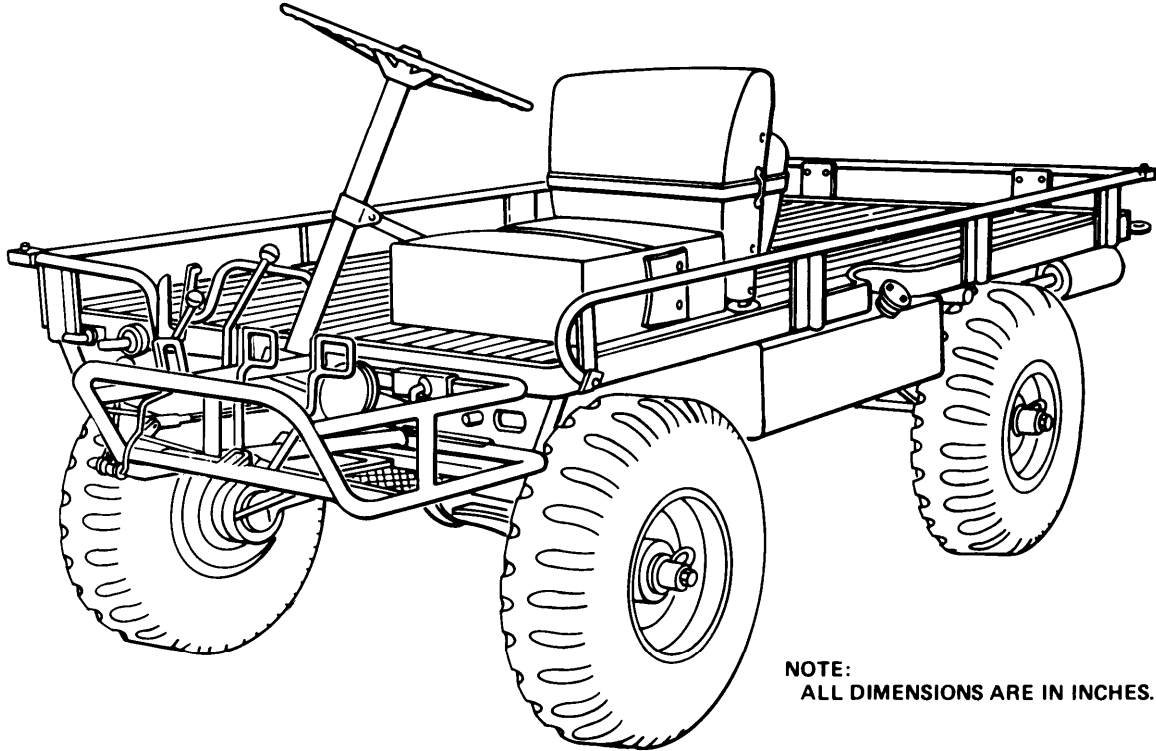
Winch: No

SHIPPING DATA

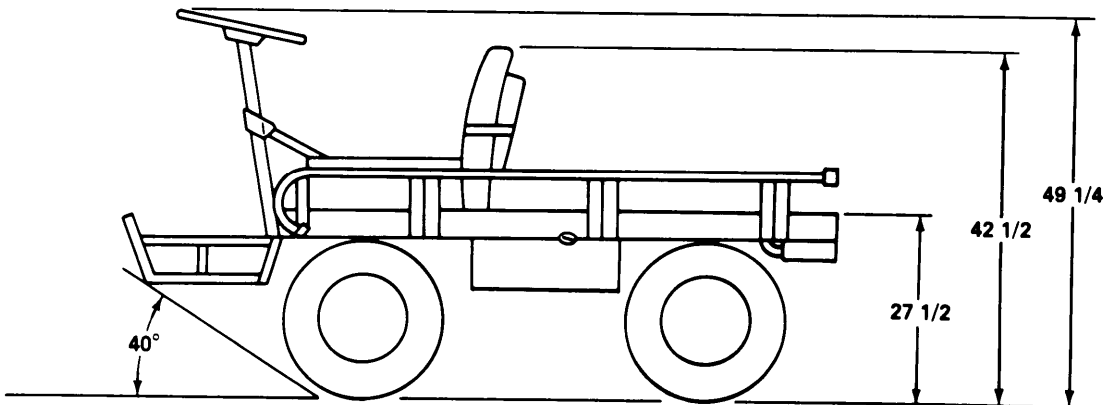
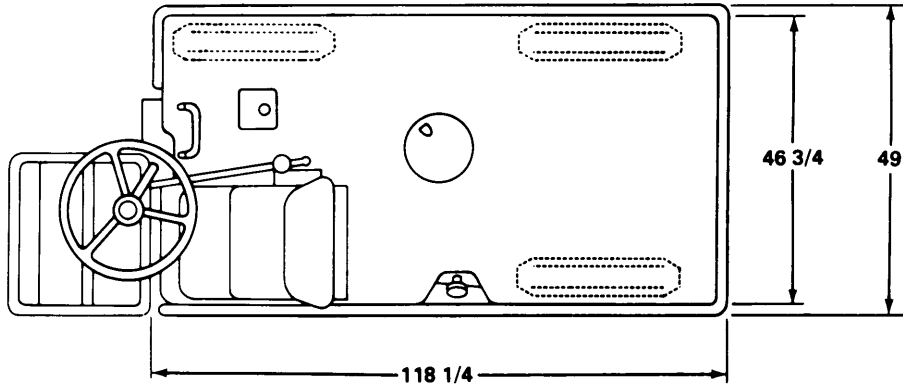
Weight: 900 lb

Cube: 171 cu ft

Ground Clearance: 11 1/2 in



NOTE:
ALL DIMENSIONS ARE IN INCHES.



TA208743

PURPOSE: Designed as infantry ammunition light cargo, personnel, and weapons carrier. Will operate over all types of roads, cross-country terrain, and in all types of weather.

GENERAL INFORMATION

Nomenclature: TRUCK, PLATFORM:
1/2 Ton, Utility

Model Number: M274A4

Crew/Cab Capacity: 1

NSN: 2320-00-782-5793

LIN: X55627

SSN: D184000

TM: 9-2320-246-Series

VEHICLE DATA

Type Classification & Date: Std B, 1965

Replaced By: M274A2

Life Expectancy: 10 Years

Payload: 1,000 lb

Towed Load Allowance:

Air Transportability: Phase I

CHARACTERISTICS

Horsepower: 13.6 bhp @ 3,000 rpm

Transmission: Manual; 3 Fwd, 1 Rev

Electrical System: Magneto

Tires: 7:50 x 10, 4-ply

Brakes: Mechanical

Blackout Lights: No

EQUIPMENT OPTIONS

Kits: Armament, Litter

Winch: No

PERFORMANCE DATA

Fording:

W/Kit:

WO/Kit: 18 in

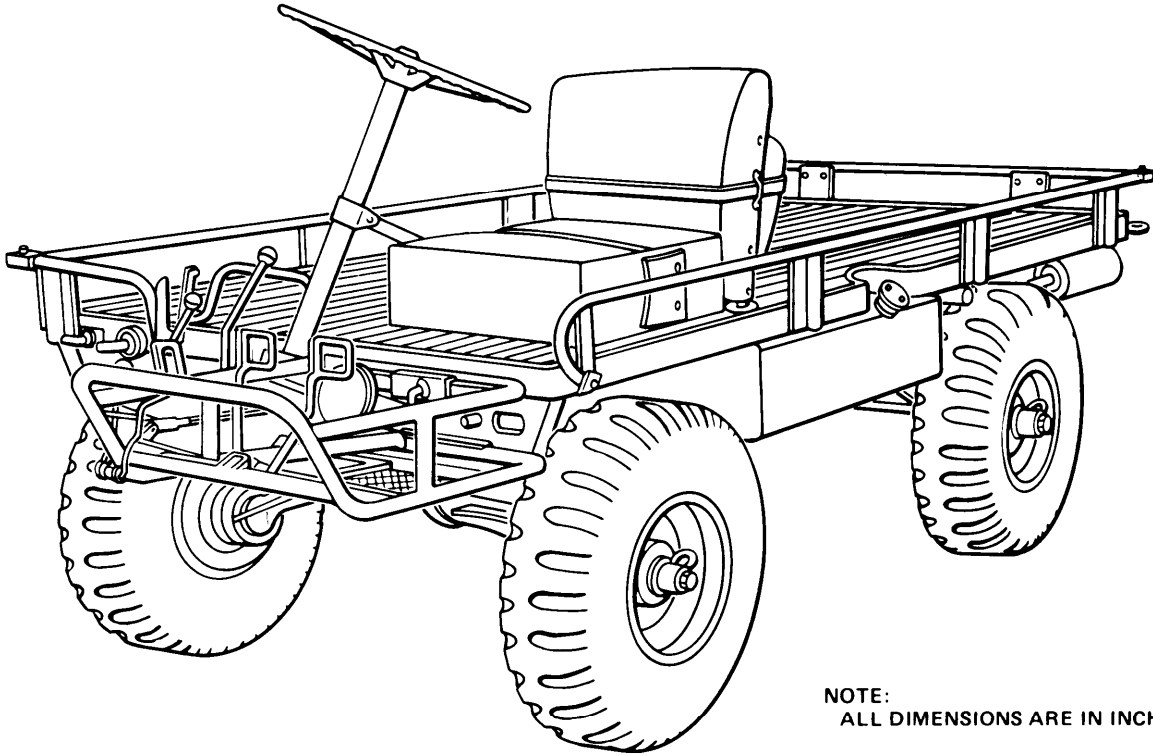
Approach Angle: 40 Degrees

SHIPPING DATA

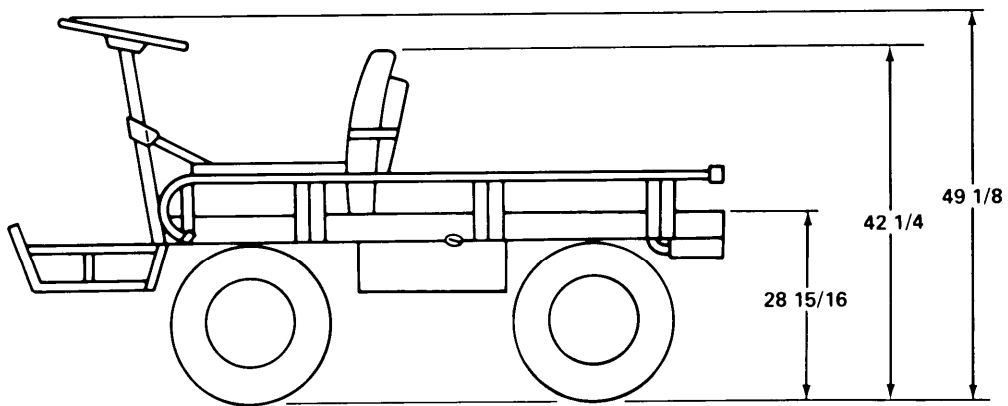
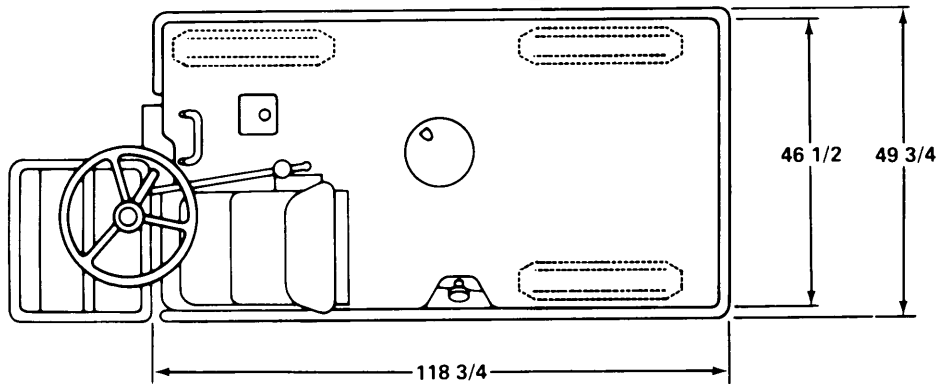
Weight: 900 lb

Cube: 171 cu ft

Ground Clearance: 11 1/2 in



NOTE:
ALL DIMENSIONS ARE IN INCHES.



TA208631

PURPOSE: Designed as infantry ammunition light cargo, personnel, and weapons carrier. Will operate over all types of roads, cross-country terrain, and in all types of weather.

GENERAL INFORMATION

Nomenclature: TRUCK, PLATFORM:
1/2 Ton, 4x4, Utility, W/E

Model Number: M274A5

Crew/Cab Capacity: 1

NSN: 2320-00-930-1976

LIN: X55627

SSN: D184010

TM: 9-2320-246-Series

CHARACTERISTICS

Horsepower: 13.6 bhp @ 3,000 rpm

Transmission: Manual; 3 Fwd, 1 Rev

Electrical System: Magneto

Tires: 7:50 x 10, 4-ply

Brakes: Mechanical

Blackout Lights: No

PERFORMANCE DATA

Fording:

W/Kit: 48 in

WO/Kit: 18 in

Approach Angle: 40 Degrees

VEHICLE DATA

Type Classification & Date: Std A, 1967

Replaced By:

Life Expectancy: 10 Years

Payload: 800 lb

Towed Load Allowance: N/A

Air Transportability: Phase I

EQUIPMENT OPTIONS

Kits: Armament, Litter

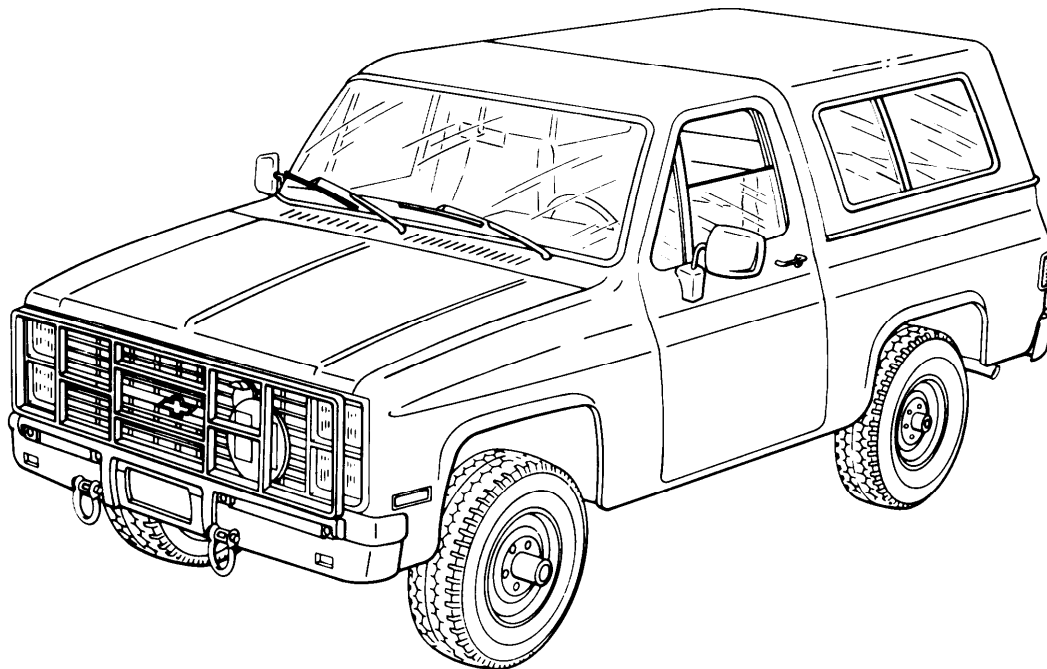
Winch: No

SHIPPING DATA

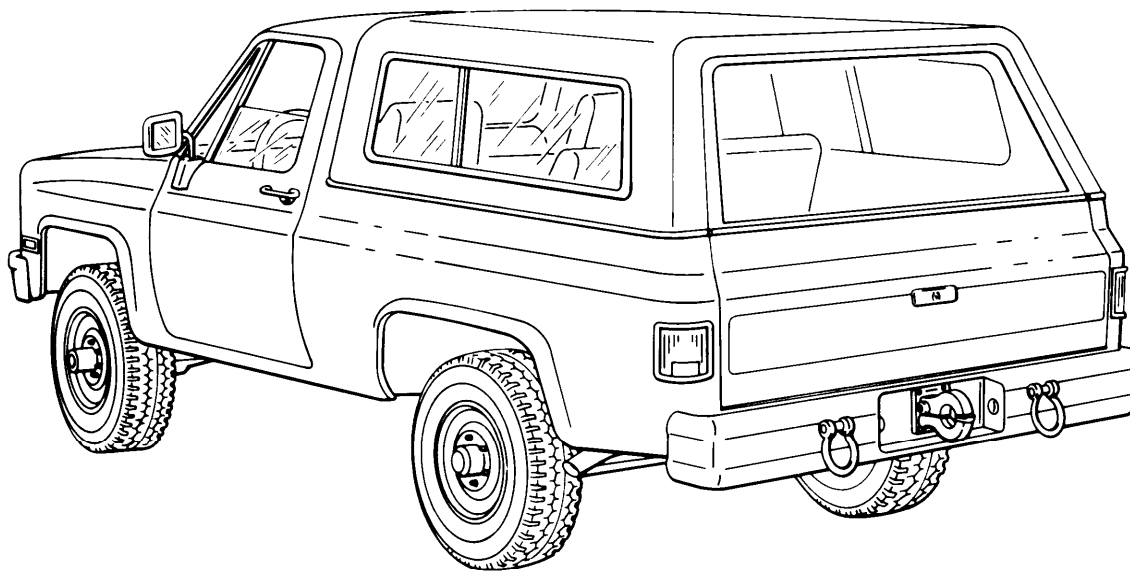
Weight: 970 lb

Cube: 81.64 cu ft

Ground Clearance: 11 1/2 in



HEIGHT - 74 29/32
LENGTH - 191 13/16
WIDTH - 79 19/32



NOTE:
ALL DIMENSIONS ARE IN INCHES.

TA209177

PURPOSE: Lightweight utility vehicle designed for use over all types of roads and in all weather conditions.

GENERAL INFORMATION

Nomenclature: TRUCK, UTILITY AND
TACTICAL: 3/4-Ton, 4x4

Model Number: M1009

Crew/Cab Capacity: 4

NSN: 2320-01-123-2665

LIN: T05028

SSN: D1130200K00

TM: 9-2320-289-Series

CHARACTERISTICS

Horsepower: 135 bhp @ 3,600 rpm

Transmission: 3-Speed Automatic

Electrical System: 24 Volt

Tires: 10 R 15 LT (Load Range C)

Fuel Tank: 27 gallons

Brakes: Front Disc-Rear Drum,
Silicone Fluid

Blackout Lights: Yes

PERFORMANCE DATA

Fording:

W/Kit:N/A

WO/Kit: 16 to 20-in

Approach Angle: 39 Degrees, 48 Minutes

Maximum Speed: 55 mph

VEHICLE DATA

Type Classification & Date: NYA

Replaces/Replaced By: M151 and M101
Trailer

Life Expectancy: 7 Years

Payload: 1,200-1,500 lb

Towed Load Allowance: 3,000 lb

Air Transportability: Phase II

EQUIPMENT OPTIONS

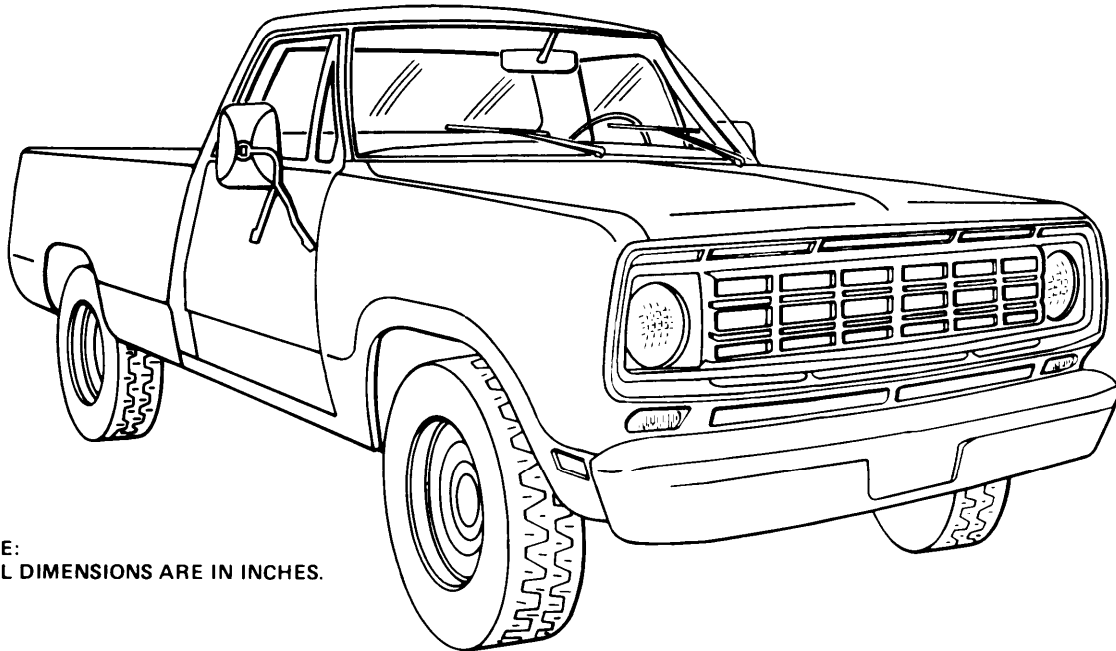
Kits: Winterization, Arctic Kit

SHIPPING DATA

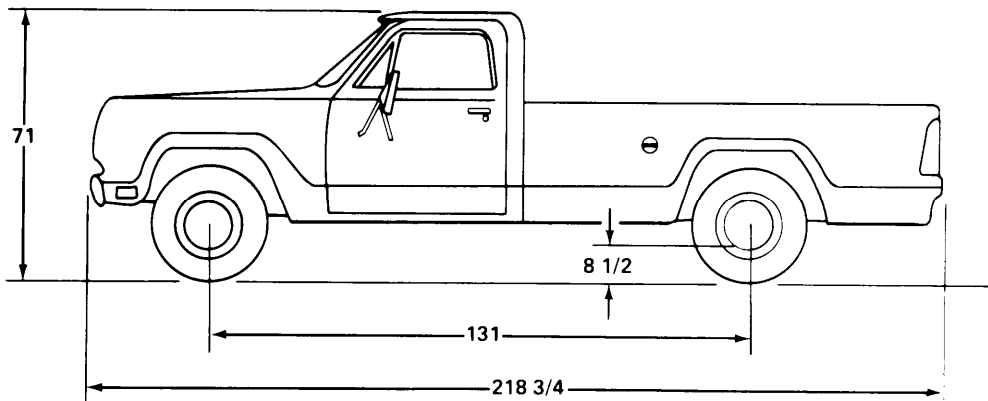
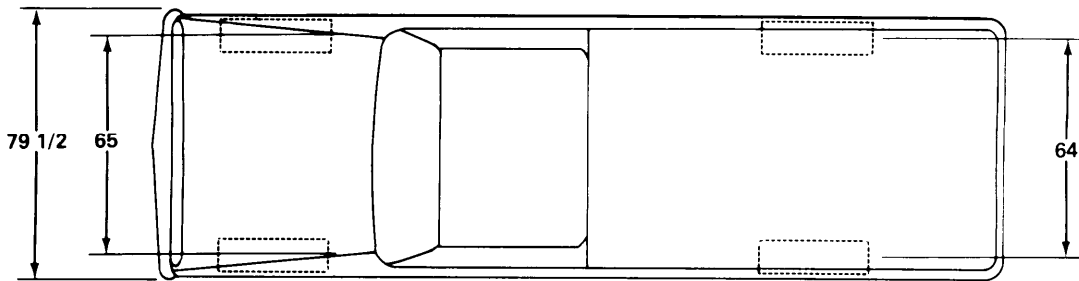
Weight: Curb -5,280 lb

Cube: 645 cu ft

Ground Clearance: 9.6 in



NOTE:
ALL DIMENSIONS ARE IN INCHES.



TA208657

PURPOSE: A general purpose vehicle designed for operation on prepared roads.

GENERAL INFORMATION

Nomenclature: TRUCK, CARGO:
1 1/4 Ton, 4x2

Model Number: M890

Crew/Cab Capacity: 3

NSN: 2320-00-579-8991

LIN: X39429

SSN: D111030

TM: 9-2320-266-Series

CHARACTERISTICS

Horsepower: 150 bhp @14,000 rpm

Transmission: Automatic

Electrical System: 12 Volt

Tires: 9:50 R 16.5 LT 4 R-D Cust
Flexsteel XG

Fuel Tank: 20 Gallons

Blackout Lights: Blackout light kit
optional

PERFORMANCE DATA

Fording:

W/Kit:

WO/Kit: 16 in

Approach Angle:

VEHICLE DATA

Type Classification & Date: Std A, 1975

Replaces: M37/M715

Life Expectancy: 7 Years

Payload: 2,500 lb

Towed Load Allowance: 3,000 lb

Air Transportability: Phase II

EQUIPMENT OPTIONS

Kits: Blackout Lights, Troop Seat,
Cargo Box, Personnel Heater

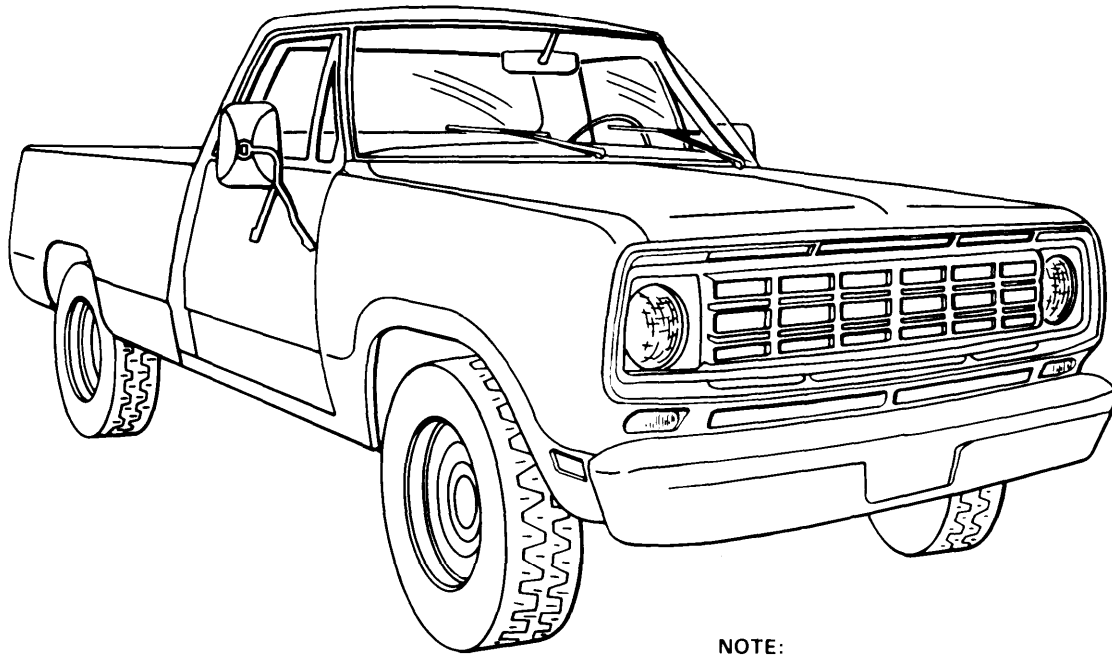
Winch: No

SHIPPING DATA

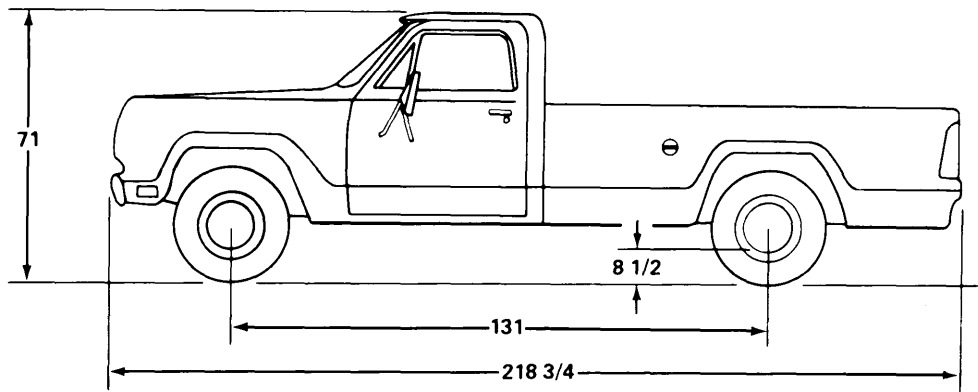
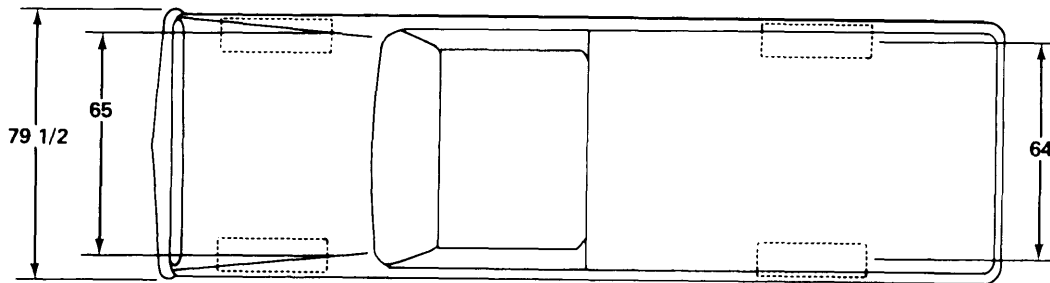
Weight: 4,217 lb

Cube: 685 cu ft

Ground Clearance: 8 1/2 in



NOTE:
ALL DIMENSIONS ARE IN INCHES.



TA208664

PURPOSE: General purpose vehicle for operation on prepared surfaces with a 12 Volt electrical system and a 60 Amp, 24 Volt generating system kit installed.

GENERAL INFORMATION

Nomenclature: TRUCK, CARGO: 1 1/4
Ton, 4x2, W/60 AMP KIT

Model Number: M891

Crew/Cab Capacity: 3

NSN: 2320-00-579-9046

LIN: X39438

SSN: D111030

TM: 9-2320-266-Series

VEHICLE DATA

Type Classification & Date: Std A, 1975

Replaces: M371M715

Life Expectancy: 7 Years

Payload: 2,500 lb

Towed Load Allowance:

Air Transportability: Phase II

CHARACTERISTICS

Horsepower: 150 bhp @ 4,000 rpm

Transmission: Automatic

Electrical System: 24 Volt

Tires: 9:5 R, 16.5 LT, R-D Cust
Flexsteel XG

Fuel Tank: 20 Gallons

Brakes: Hydraulic, front disc, rear drum

Blackout Lights: Blackout Light Kit
optional

EQUIPMENT OPTIONS

Kits: 60 Amp, Blackout Light

Winch: No

PERFORMANCE DATA

Fording:

W/Kit:

WO/Kit: 16 in

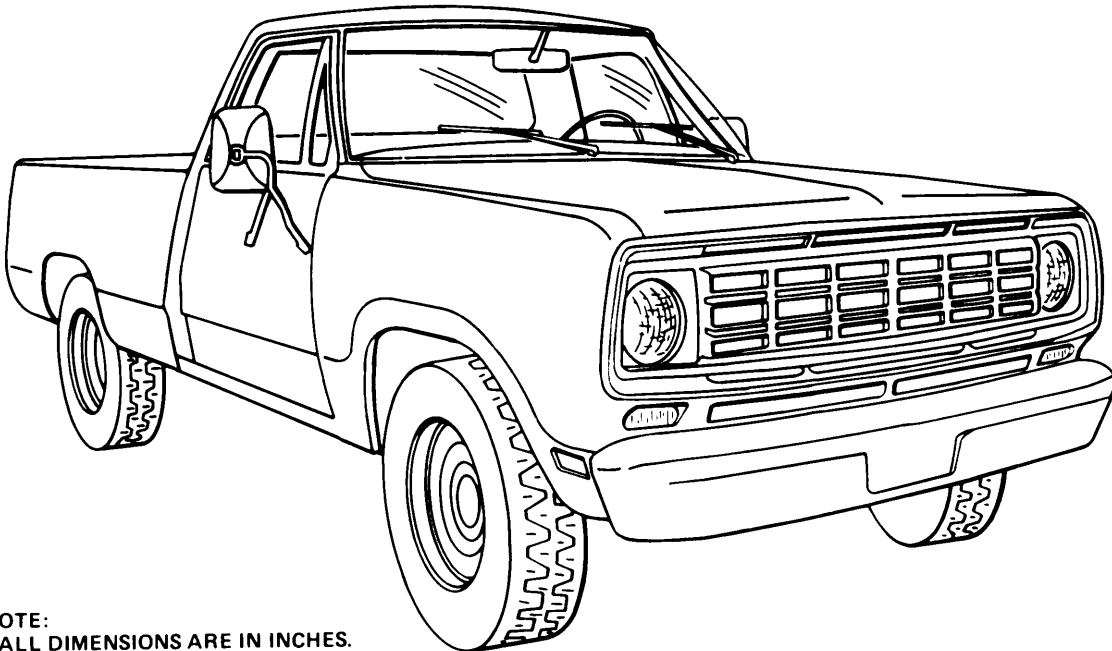
Approach Angle:

SHIPPING DATA

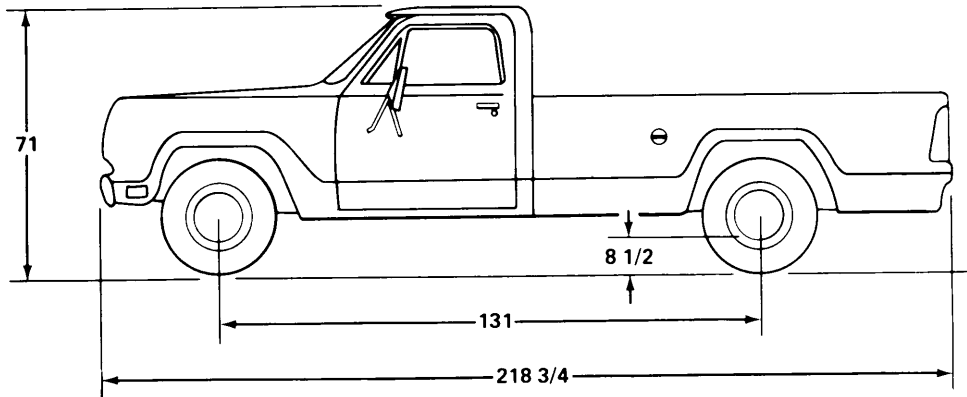
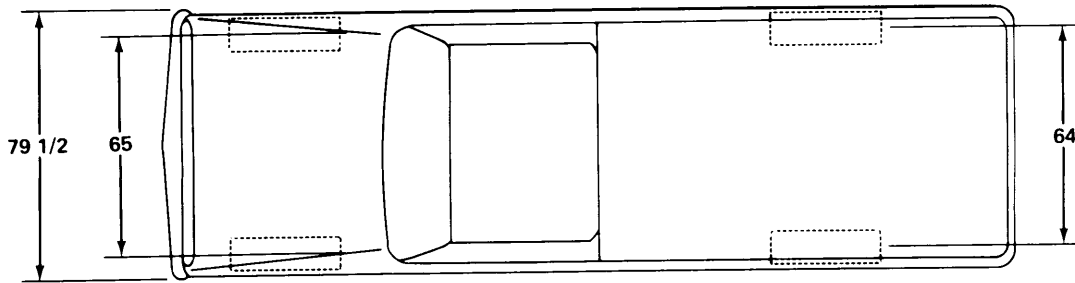
Weight: 4,217 lb

Cube: 685 cu ft

Ground Clearance: 8 1/2 in



NOTE:
ALL DIMENSIONS ARE IN INCHES.



TA208665

PURPOSE: General purpose vehicle for operation on prepared surfaces with a 12 Volt electrical system and a 60 Amp, 24 Volt generating system kit installed.

GENERAL INFORMATION

Nomenclature: TRUCK, CARGO: 1 1/4
Ton, 4x2, W/60 AMP and Communications
Kit

Model Number: M892

Crew/Cab Capacity: 3

NSN: 2320-00-579-9052

LIN: X39435

SSN: D111030

TM: 9-2320-266-Series

VEHICLE DATA

Type Classification & Date: Std A, 1975

Replaces: M37/M715

Life Expectancy: 7 Years

Payload: 2,500 lb

Towed Load Allowance:

Air Transportability: Phase II

CHARACTERISTICS

Horsepower: 150 bhp @ 4,000 rpm

Transmission: Automatic

Electrical System: 24 Volt

Tires: 9:5 R, 16.5 LT, R-D Cust
Flexsteel XG

Fuel Tank: 20 Gallons

Brakes: Hydraulic, front disc, rear drum

Blackout Lights: Optional

EQUIPMENT OPTIONS

Kits: Blackout Lights, 60 AMP 24 VOLT,
Communications

Winch: No

PERFORMANCE DATA

Fording:

W/Kit:

WO/Kit: 16 in

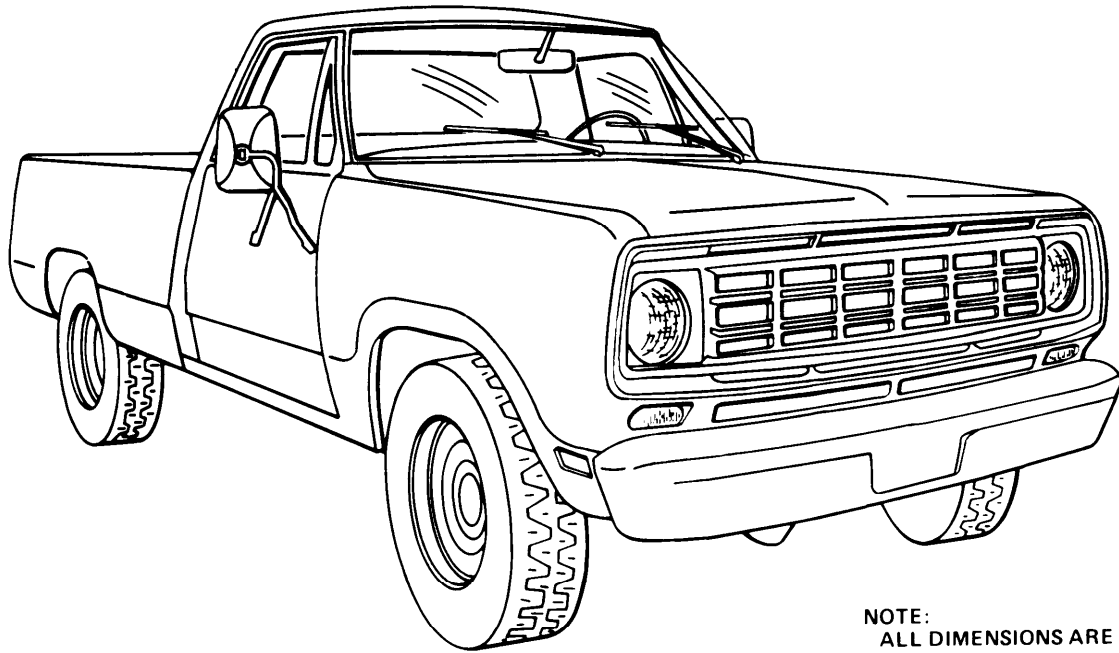
Approach Angle:

SHIPPING DATA

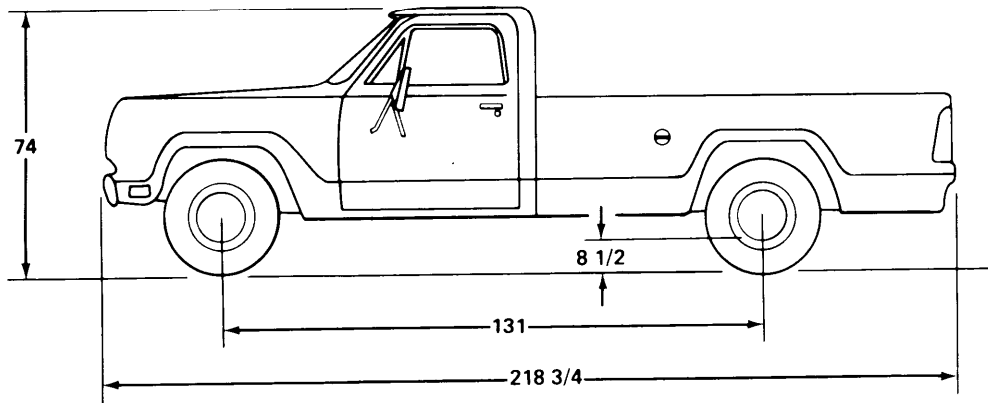
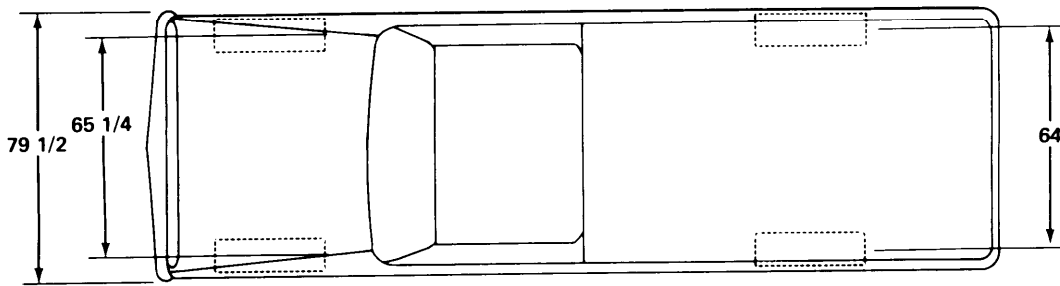
Weight: 4,217 lb

Cube: 685 cu ft

Ground Clearance: 8 1/2 in



NOTE:
ALL DIMENSIONS ARE IN INCHES.



TA208661

PURPOSE: A general purpose vehicle designed for highway or cross-country operations.

GENERAL INFORMATION

Nomenclature: TRUCK, CARGO:
1 1/4 Ton, 4x4

Model Number: M880

Crew/Cab Capacity: 3

NSN: 2320-00-579-8942

LIN: X39432

SSN: D111030

TM: 9-2320-266-Series

CHARACTERISTICS

Horsepower: 150 bhp @ 4,000 rpm

Transmission: Automatic

Electrical System: 12 Volt

Tires: 9:50 R, 16.5 LT, 4 R-D Cust
Flexsteel XG

Fuel Tank: 20 Gallons

Brakes: Hydraulic, front disc, rear drum

Blackout Lights: Optional

PERFORMANCE DATA

Fording:

W/Kit:

WO/Kit: 16 in

Approach Angle:

VEHICLE DATA

Type Classification & Date: Std A, 1975

Replaces: M37/M715

Life Expectancy: 7 Years

Payload: 2,500 lb

Towed Load Allowance:

Air Transportability: Phase II

EQUIPMENT OPTIONS

Kits: Blackout Light, Troop Seat,
Cargo Box Cover

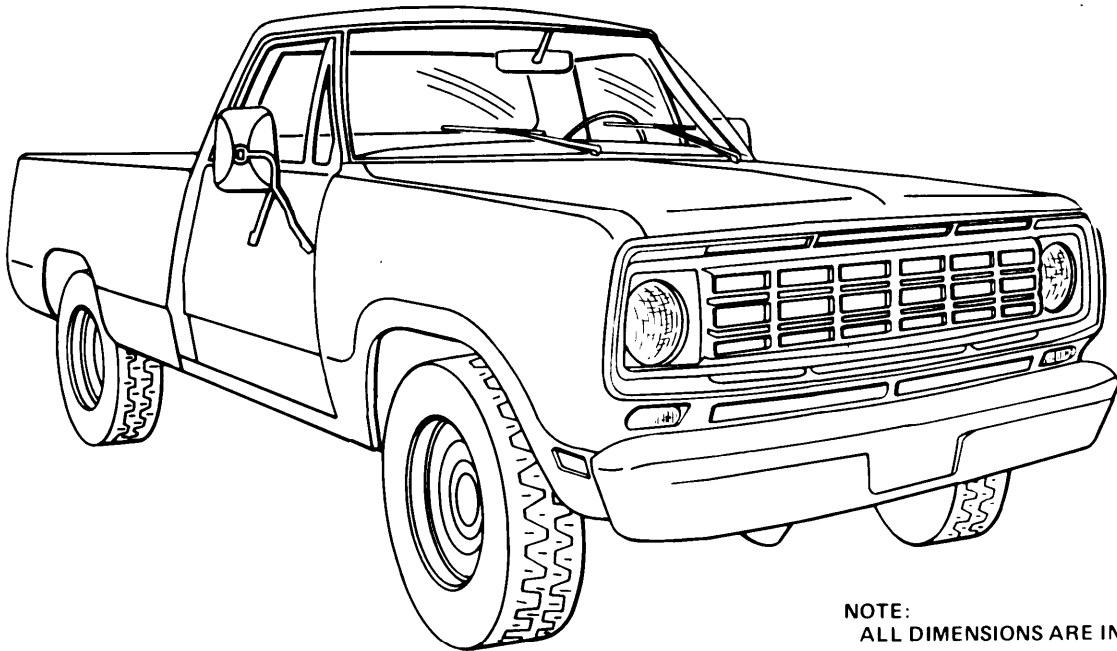
Winch: No

SHIPPING DATA

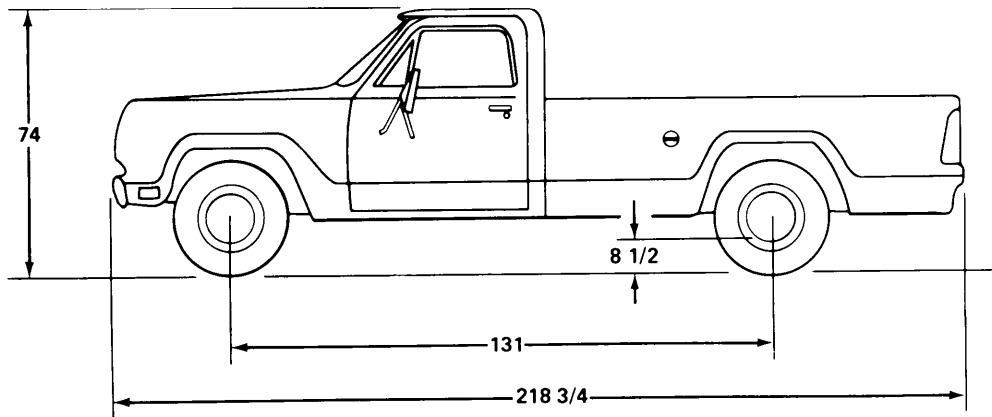
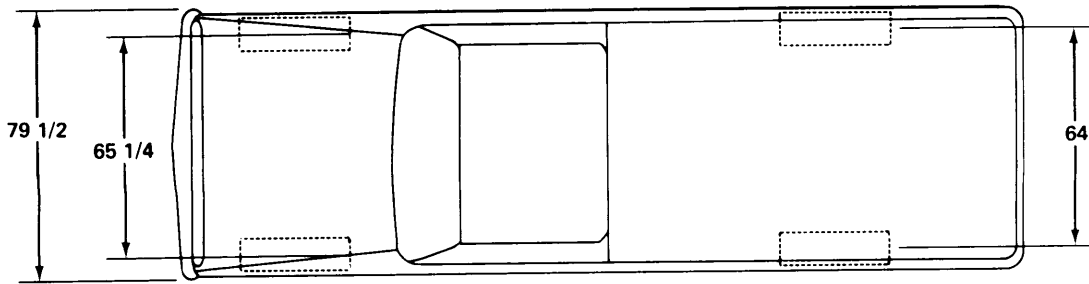
Weight: 4,648 lb

Cube: 685 cu ft

Ground Clearance: 8 1/2 in



NOTE:
ALL DIMENSIONS ARE IN INCHES.



TA208660

PURPOSE: A general purpose vehicle designed for highway or cross-country operations.

GENERAL INFORMATION

Nomenclature: TRUCK, CARGO: 1 1/4
Ton, 4x4, W/60 AMP Kit

Model Number: M881

Crew/Cab Capacity: 3

NSN: 2320-00-579-8943

LIN: X39444

SSN: D111030

TM: 9-2320-266-Series

CHARACTERISTICS

Horsepower: 150 bhp @ 4,000 rpm

Transmission: Automatic

Electrical System: 24 Volt

Tires: 9:5 R 16.5 LT 4 R-D Cust
Flexsteel XG

Fuel Tank: 20 Gallons

Brakes: Hydraulic, front disc, rear drum

Blackout Lights: Optional

PERFORMANCE DATA

Fording:

W/Kit:

WO/Kit: 16 in

Approach Angle:

VEHICLE DATA

Type Classification & Date: Std A, 1975

Replaces: M37/M715

Life Expectancy: 7 Years

Payload: 2,500 lb

Towed Load Allowance:

Air Transportability: Phase II

EQUIPMENT OPTIONS

Kits: 60 AMP Blackout Lights, Troop Seat,
Cargo Box, Personnel Heater

Winch: No

EQUIPMENT INSTALLED

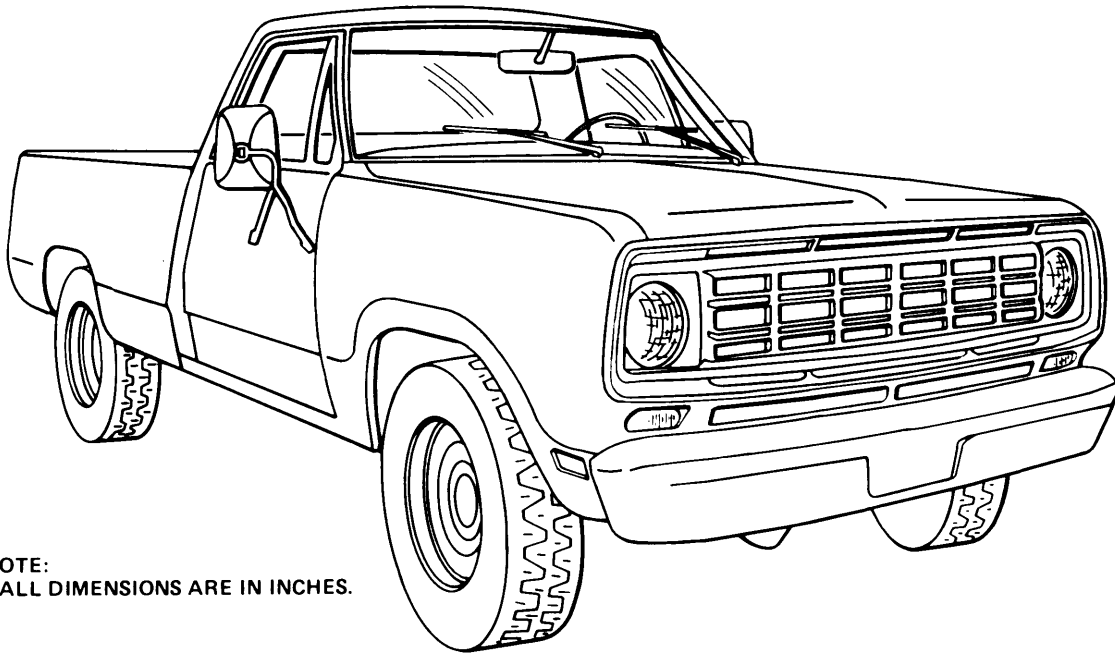
60 Amp, 24 Volt System

SHIPPING DATA

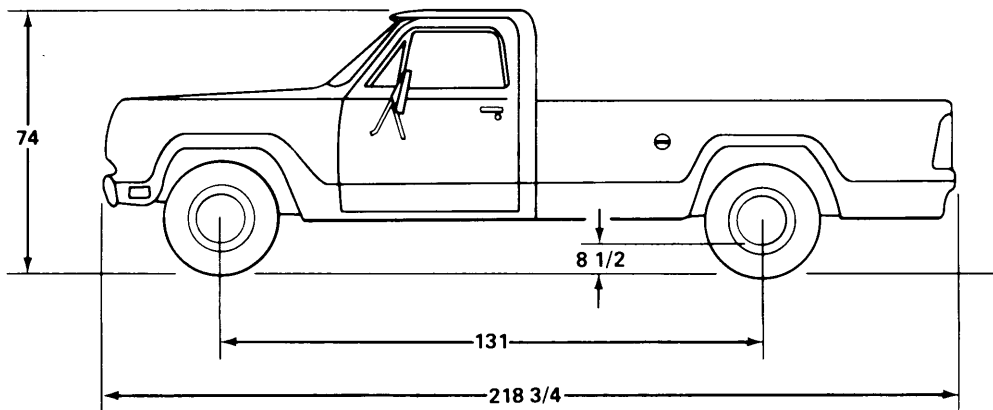
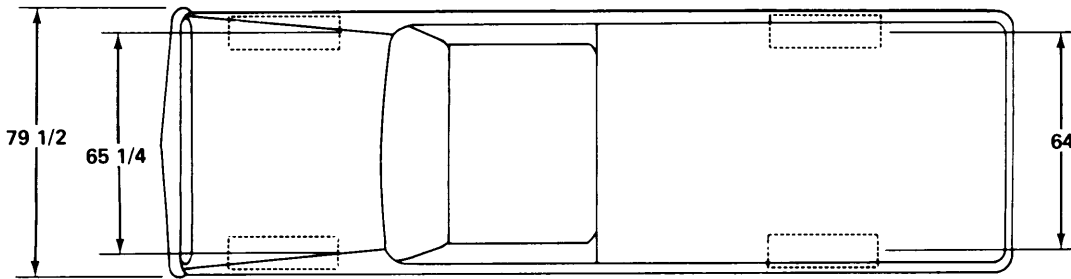
Weight: 4,648 lb

Cube: 685 cu ft

Ground Clearance: 8 1/2 in



NOTE:
ALL DIMENSIONS ARE IN INCHES.



TA208659

PURPOSE: A general purpose vehicle with communications shelter mounted.

GENERAL INFORMATION

Nomenclature: TRUCK, CARGO: 1 1/4 Ton,
4x4, W/60 Amp and Communications Kit

Model Number: M882

Crew/Cab Capacity: 3

NSN: 2320-00-579-8957

LIN: X39447

SSN: D111030

TM: 9-2320-266-Series

VEHICLE DATA

Type Classification & Date: Std A, 1975

Replaces: M37/M715

Life Expectancy: 7 Years

Payload: 2,500 lb

Towed Load Allowance:

Air Transportability: Phase II

CHARACTERISTICS

Horsepower: 150 bhp @ 4,000 rpm

Transmission: Automatic

Electrical System: 24 Volt

Tires: 9:5 R 16.5 LT R-D Cust
Flexsteel XG

Fuel Tank: 20 Gallons

Brakes: Hydraulic, front disc, rear drum

Blackout Lights: Optional

PERFORMANCE DATA

Fording:

W/Kit:

WO/Kit: 16 in

Approach Angle:

EQUIPMENT OPTIONS

Kits: Blackout Light Kit, 60 AMP 24V,
Communication

Winch: No

EQUIPMENT INSTALLED

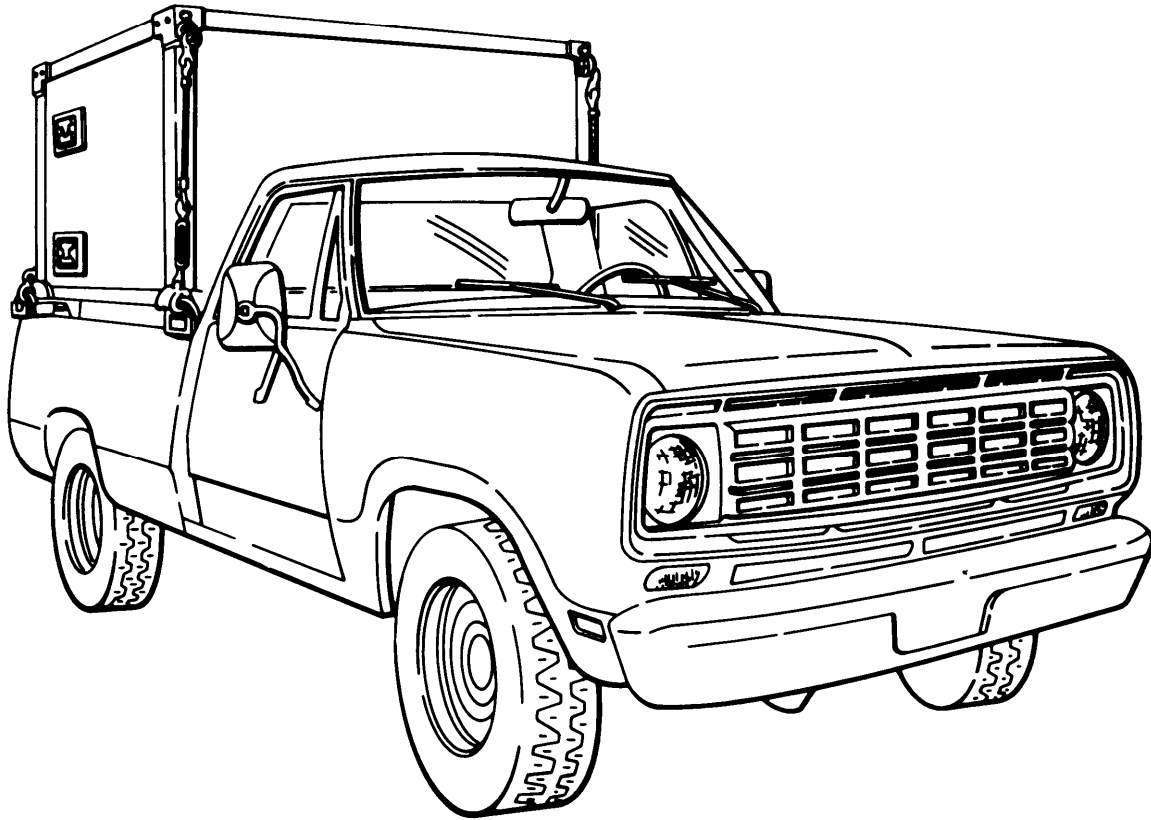
60 Amp, 24 Volt System

SHIPPING DATA

Weight: 4,648 lb

Cube: 685 cu ft

Ground Clearance: 8 1/2 in



NOTE:
ALL DIMENSIONS ARE IN INCHES.

TA208748

PURPOSE: This truck is a general purpose vehicle designed for both highway and cross-country operations with a S250 shelter kit installed on the cargo box. In addition, this model is equipped with a 60 Amp 24 Volt generating system kit.

GENERAL INFORMATION

Nomenclature: TRUCK, CARGO: 1 1/4
4x4, W/60 AMP and Communications
Shelter Tiedown Kit

Model Number: M883

Crew/Cab Capacity: 3

NSN: 2320-00-579-8959

LIN: X39450

SSN: D111030

TM: 9-2320-266-Series

VEHICLE DATA

Type Classification & Date: Std A, 1975

Replaces: M37/M715

Life Expectancy: 7 Years

Payload: 2,500 lb

Towed Load Allowance:

Air Transportability: Phase II

CHARACTERISTICS

Horsepower: 150 bhp @ 4,000 rpm

Transmission: Automatic

Electrical System: 60 AMP 24 Volt Kit

Tires: 9:5 R 16.5 LT 4 R-D Cust
Flexsteel XG

Fuel Tank: 20 Gallons

Brakes: Hydraulic, front disc, rear drum

Blackout Lights: Optional

PERFORMANCE DATA

Fording:

W/Kit:

WO/Kit: 16 in

Approach Angle:

EQUIPMENT OPTIONS

Kits: 60 AMP 24 V, S 250 Shelter, Shelter
Tiedown, Auxiliary Spring, Blackout Lights

Winch: No

EQUIPMENT INSTALLED

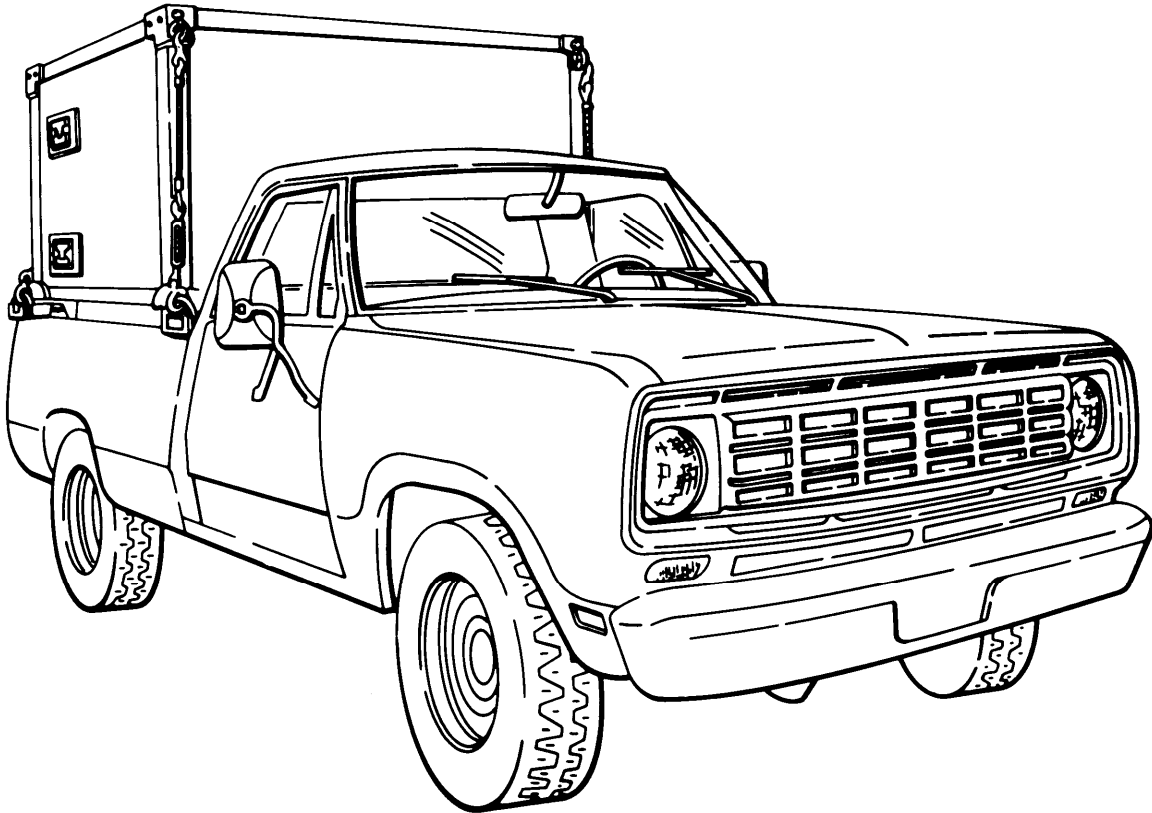
60 Amp, 24 Volt System,
S250 Shelter Tiedown

SHIPPING DATA

Weight: 4,648 lb

Cube: 685 cu ft

Ground Clearance: 8 1/2 in (Unloaded),
8.0 in (Loaded)



NOTE:
ALL DIMENSIONS ARE IN INCHES.

TA208749

PURPOSE: General purpose vehicle designed for both highway and cross-country operations with a S250 shelter installed on the cargo box. In addition, this model is equipped with a 100 Amp, 24 Volt generating system.

GENERAL INFORMATION

Nomenclature: TRUCK, CARGO: 1 1/4 Ton,
4x4, W/100 AMP and Communications
Shelter Tiedown Kit

Model Number: M884

Crew/Cab Capacity: 3

NSN: 2320-00-579-8985

LIN: X39453

SSN: D111030

TM: 9-2320-266-Series

VEHICLE DATA

Type Classification & Date: Std A, 1975

Replaces: M37/M715

Life Expectancy: 7 Years

Payload: 2,500 lb

Towed Load Allowance:

Air Transportability: Phase II

CHARACTERISTICS

Horsepower: 150 bhp @ 4,000 rpm

Transmission: Automatic

Electrical System: 100 AMP 24 Volt Kit

Tires: 9:5 R 16.5 LT 4 R-D Cust
Flexsteel XG

Fuel Tank: 20 Gallons

Brakes: Hydraulic, front disc, rear drum

Blackout Lights: Yes, optional

PERFORMANCE DATA

Fording:

W/Kit:

WO/Kit: 16 in

Approach Angle:

EQUIPMENT OPTIONS

Kits: Blackout Lights, 100 AMP 24 VOLT,
Shelter Tiedown

Winch: No

EQUIPMENT INSTALLED

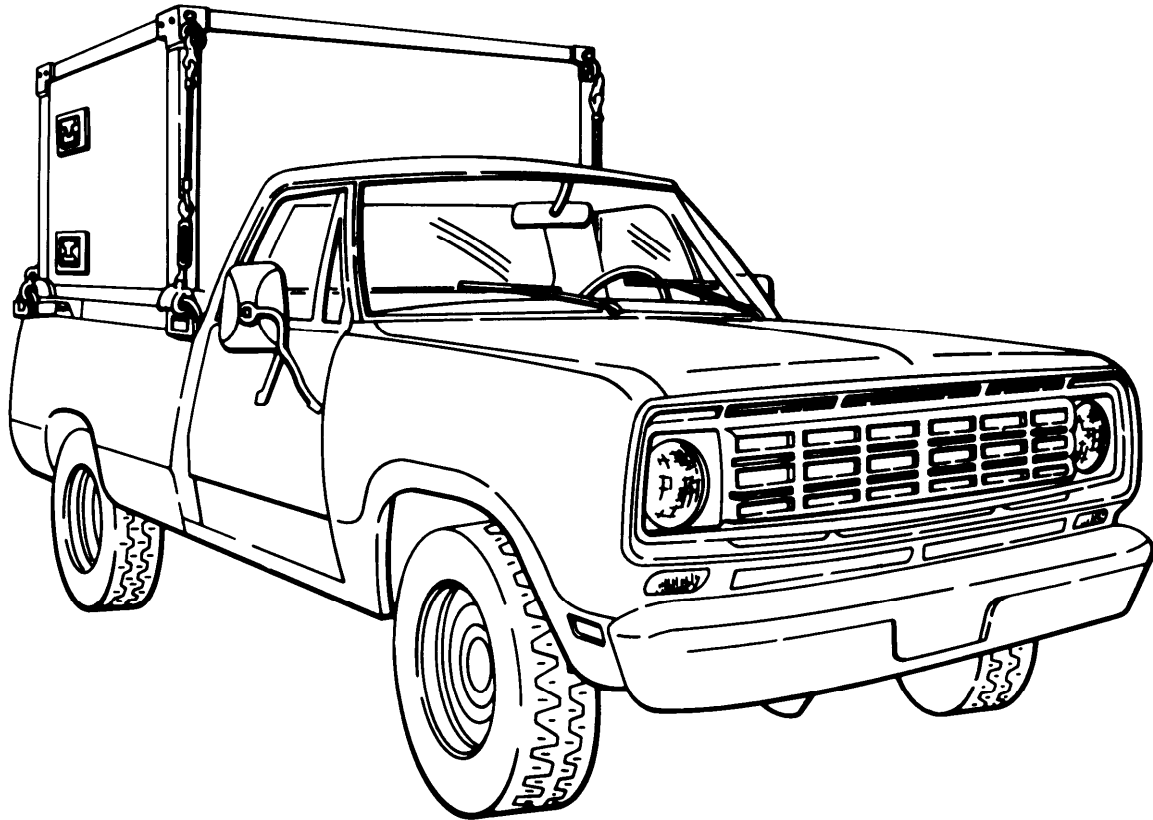
100 Amp, 24 Volt System,
S250 Shelter Tiedowns, Auxiliary
Rear Springs

SHIPPING DATA

Weight: 4,648 lb

Cube: 685 cu ft

Ground Clearance: 8 1/2 in



NOTE:
ALL DIMENSIONS ARE IN INCHES.

TA208750

PURPOSE: This truck is a general purpose vehicle designed for both highway and cross-country operations with a S250 shelter installed on the cargo box.

GENERAL INFORMATION

Nomenclature: TRUCK, CARGO: 1 1/4 Ton,
4x4, W/Communications Shelter Tiedown
Kit

Model Number: M885

Crew/Cab Capacity: 3

NSN: 2320-00-579-8989

LIN: X39441

SSN: D111030

TM: 9-2320-266-Series

CHARACTERISTICS

Horsepower: 150 bhp @ 4,000 rpm

Transmission: Automatic

Electrical System: 12 Volt

Tires: 9:5 R 16.5 LT 4 R-D Cust
Flexsteel XG

Fuel Tank: 20 Gallons

Brakes: Hydraulic, front disc, rear drum

Blackout Lights: Yes, optional

PERFORMANCE DATA

Fording:

W/Kit:

WO/Kit: 16 in

Approach Angle:

VEHICLE DATA

Type Classification & Date: Std A, 1975

Replaces: M37/M715

Life Expectancy: 7 Years

Payload: 2,500 lb

Towed Load Allowance:

Air Transportability: Phase II

EQUIPMENT OPTIONS

Kits: Blackout Lights, Communication
Shelter Tiedown

EQUIPMENT INSTALLED

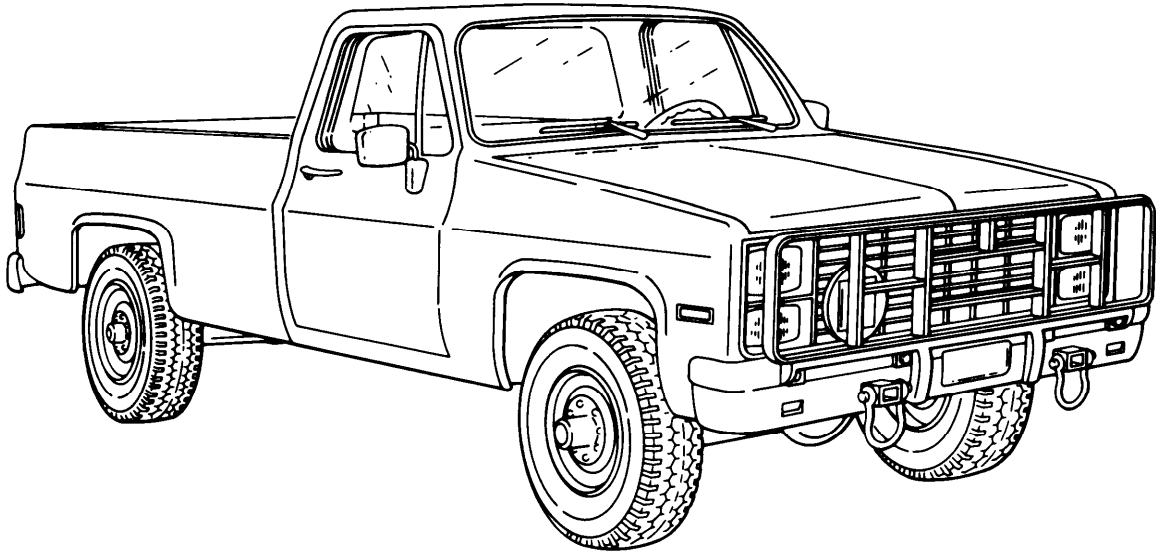
S250 Shelter Tiedowns,
Auxiliary Rear Springs

SHIPPING DATA

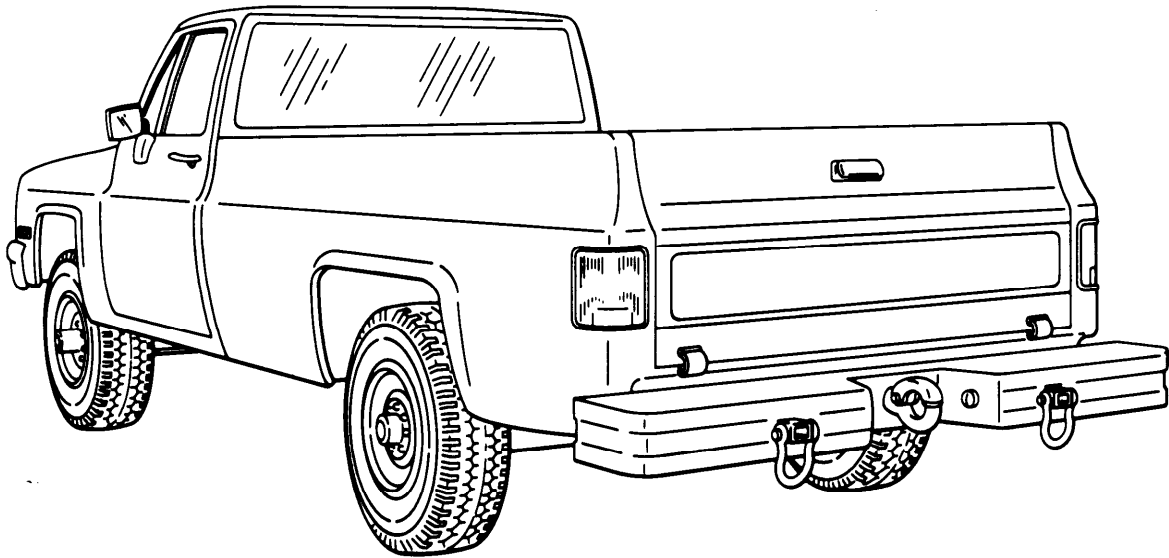
Weight: 4,648 lb

Cube: 685 cu ft

Ground Clearance: 8 1/2 in



NOTE:
ALL DIMENSIONS ARE IN INCHES.



HEIGHT - 75 7/8
LENGTH - 220 11/16
WIDTH - 81 3/16

TA209178

PURPOSE: A general purpose vehicle designed for operation on prepared roads.

GENERAL INFORMATION

Nomenclature: TRUCK, CARGO: 1 1/4-Ton, 4x4

Model Number: M1008

Crew/Cab Capacity: 3

NSN: 2320-01-123-6827

LIN: T59482

SSN: D1130100K00

TM: 9-2320-289-Series

CHARACTERISTICS

Horsepower: 135 hp @ 3,600 rpm

Transmission: 3-Speed Automatic

Electrical System: 28 Volt, 100 Amp

Tires: LT 235/85R-16E, Steel Belted Radials

Brakes: Front Disc-Rear Drum, Silicone Fluid

Blackout Lights: Yes

PERFORMANCE DATA

Fording:

W/Kit:

WO/Kit: 20 in

Approach Angle: 42 Degrees, 20 Minutes

VEHICLE DATA

Type Classification & Date:

Replaces: M880, M881, M890, M891

Life Expectancy: 7 Years

Payload: 2,900 lb

Towed Load Allowance: 3,000 lb

Air Transportability:

EQUIPMENT OPTIONS

Kits: Coust, Arctic, Troop Seat

Winch:

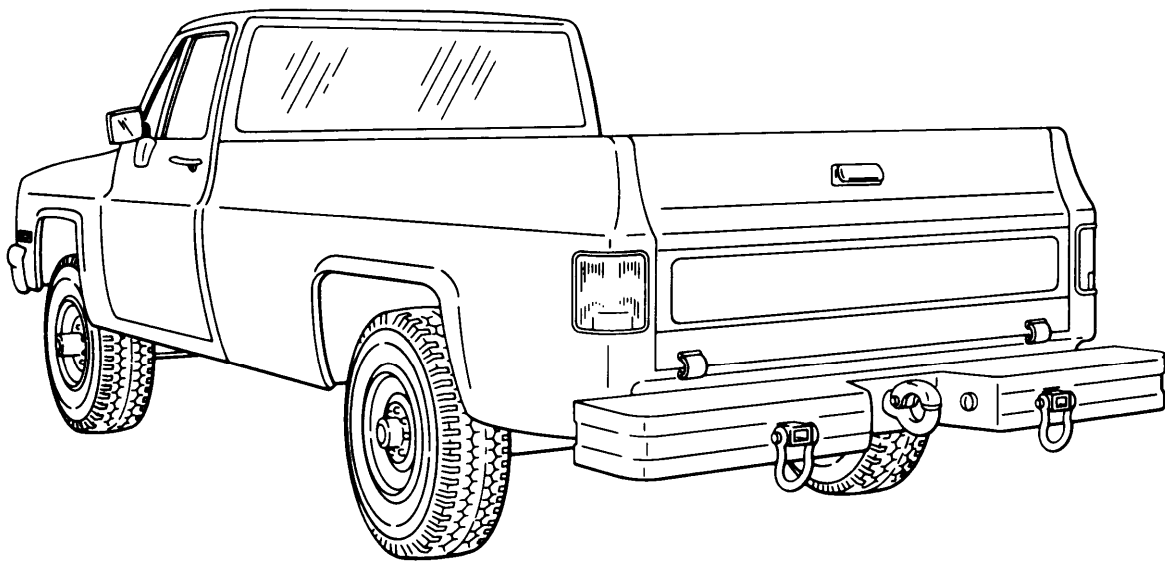
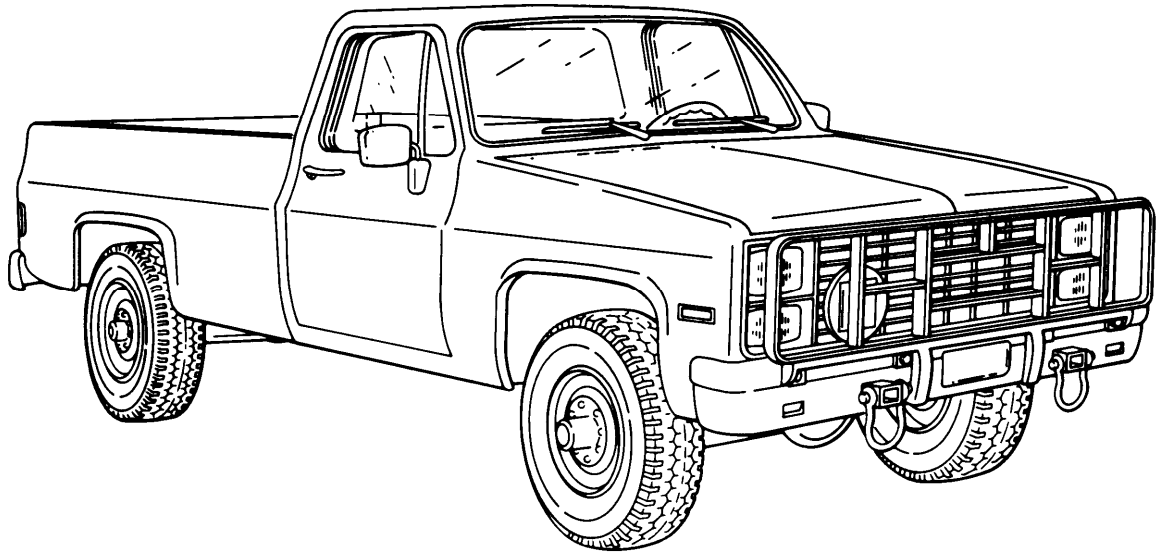
SHIPPING DATA

Curb Weight: 5,900 lb

Cube: 758 cu ft

Ground Clearance: 7.8 in

Fifth Wheel Height:



TA209179

PURPOSE: A general purpose vehicle with communications shelter mounted.

GENERAL INFORMATION

Nomenclature: TRUCK, CARGO: 1 1/4-Ton, 4x4, W/Communications

Model Number: M1008A1

Crew/Cab Capacity: 3

NSN: 2320-01-123-2671

LIN: T59346

SSN: D1130100K00

TM: 9-2320-289-Series

VEHICLE DATA

Type Classification & Date:

Replaces: M882 and M892

Life Expectancy: 7 Years

Payload: 2,900 lb

Towed Load Allowance: 3,000 lb

Air Transportability:

CHARACTERISTICS

Horsepower: 135 hp @ 3,600 rpm

Transmission: 3-Speed Automatic

Electrical System: 28 Volt, 100 Amp

Tires: LT 235/85 R-16E, Steel Belted Radials

Brakes: Front Disc-Rear Drum, Silicone Fluid

Blackout Lights: Yes

EQUIPMENT OPTIONS

Kits:

Winch:

PERFORMANCE DATA

Fording:

W/Kit:

WO/Kit: 20 in

Approach Angle: 42 Degrees, 20 Minutes

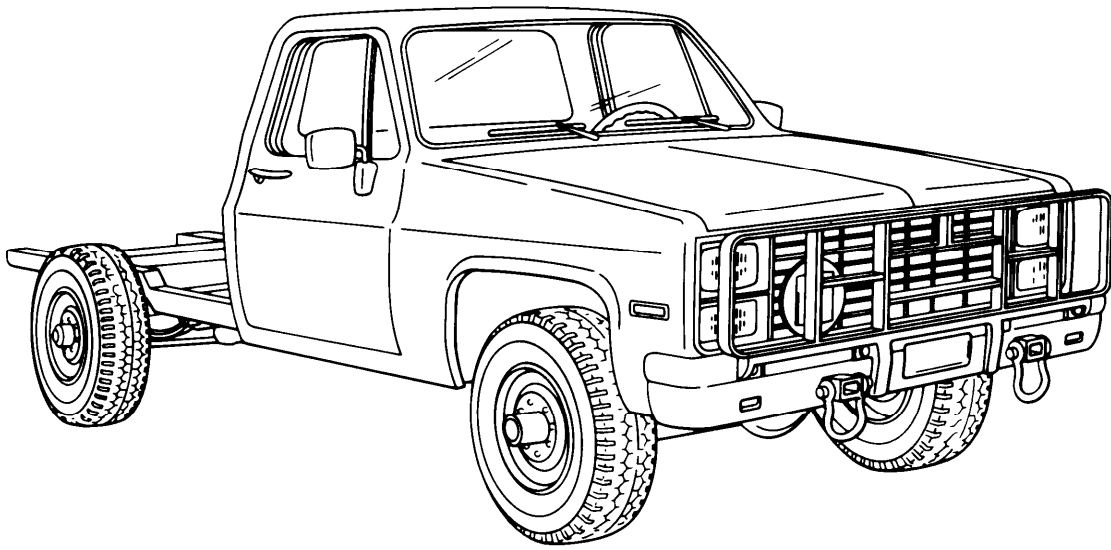
SHIPPING DATA

Weight: 5,200 lb

Cube: 758 cu ft

Ground Clearance: 7.8 in

Fifth Wheel Height:



HEIGHT - 76 $\frac{9}{32}$
LENGTH - 212 $\frac{7}{8}$
WIDTH - 81 $\frac{3}{16}$

NOTE:
ALL DIMENSIONS ARE IN INCHES.

TA209180

PURPOSE: A general purpose vehicle designed for highway or cross country operations.

GENERAL INFORMATION

Nomenclature: TRUCK, CARGO: 1 1/4-Ton, 4x4, Chassis

Model Number: M1031

Crew/Cab Capacity: 3

NSN: 2320-01-133-5368

LIN:

SSN:

TM: 9-2320-289-Series

CHARACTERISTICS

Horsepower: 135 hp @ 3,600 rpm

Transmission: 3-Speed Automatic

Electrical System: 28 Volt, 100 Amp

Tires: LT 235/85 R-16E, Steel Belted Radials

Brakes: Front Disc-Rear Drum, Silicone Fluid

Blackout Lights: Yes

PERFORMANCE DATA

Fording:

W/Kit:

WO/Kit: 20 in

Approach Angle: 41 Degrees, 55 Minutes

VEHICLE DATA

Type Classification & Date:

Replaces:

Life Expectancy: 7 Years

Payload: 3,600 lb

Towed Load Allowance: 3,000 lb

Air Transportability:

EQUIPMENT OPTIONS

Kits:

Winch:

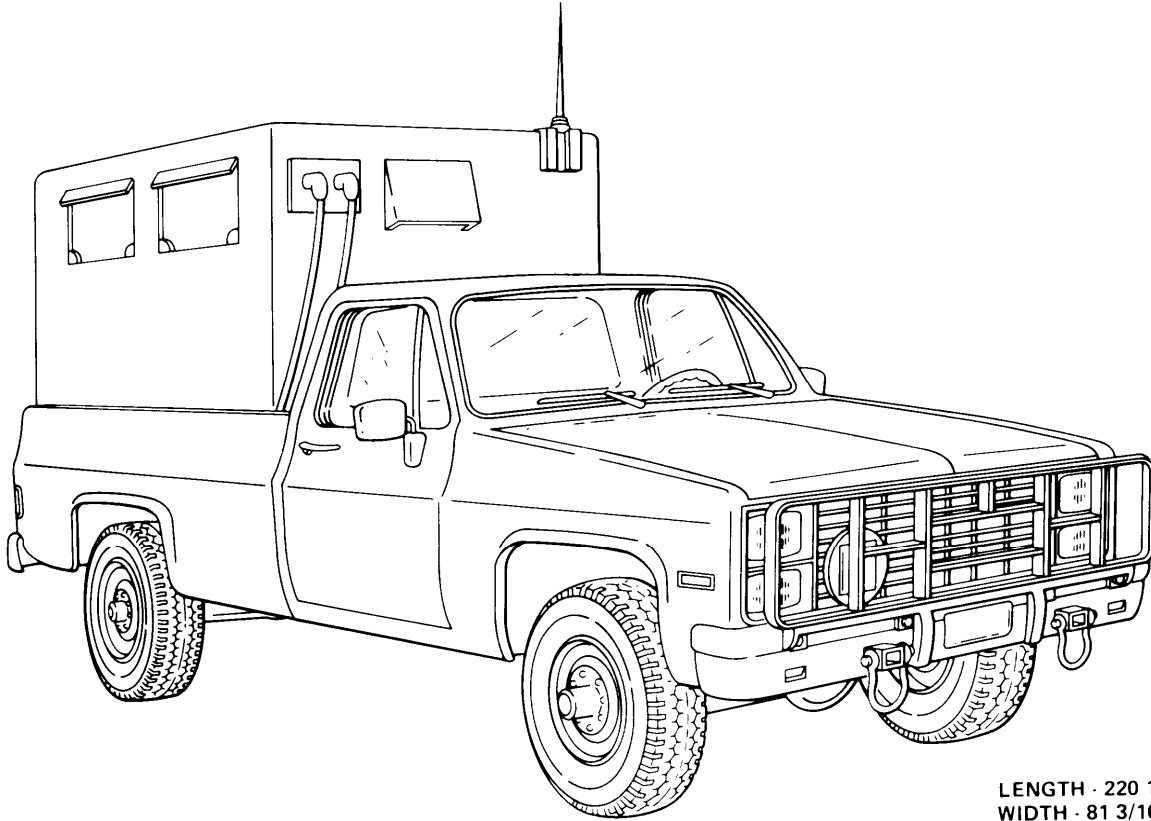
SHIPPING DATA

Curb Weight: 5,250 lb

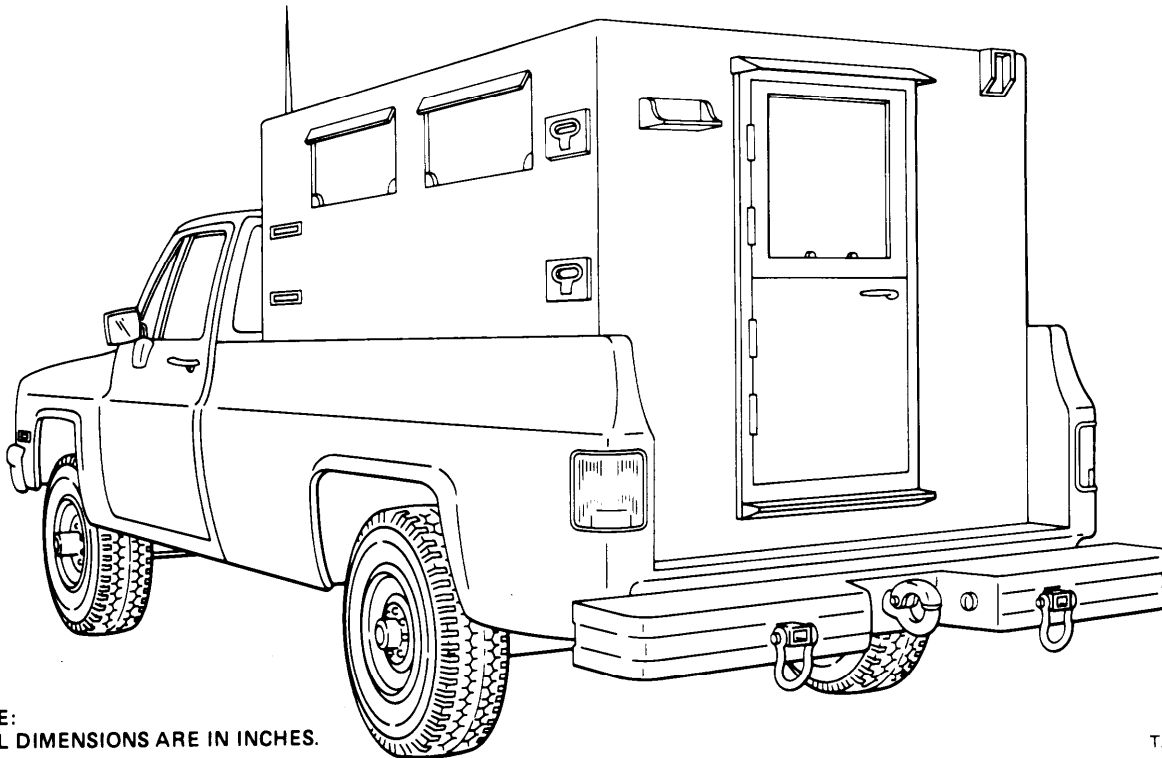
Cube: 758 cu ft

Ground Clearance: 10 1/2 in

Fifth Wheel Height:



LENGTH - 220 11/16
WIDTH - 81 3/16
HEIGHT - 107 1/8



NOTE:
ALL DIMENSIONS ARE IN INCHES.

TA209181

PURPOSE: A general purpose vehicle designed for both highway and cross country operations.

GENERAL INFORMATION

Nomenclature: TRUCK, CARGO: 1 1/4-Ton, 4x4, Shelter Carrier

Model Number: M1028

Crew/Cab Capacity: 3

NSN: 2320-01-127-5077

LIN: T59414

SSN: D1130400K00

TM: 9-2320-289-Series

VEHICLE DATA

Type Classification & Date:

Replaces: M885

Life Expectancy: 7 Years

Payload: 3,600 lb

Towed Load Allowance: 3,000 lb

Air Transportability:

CHARACTERISTICS

Horsepower: 135 hp @ 3,600 rpm

Transmission: 3-Speed Automatic

Electrical System: 28 Volt, 100 Amp

Tires: LT 235/85 R-16E, Steel
Belted Radials

Brakes: Front Disc-Rear Drum,
Silicone Fluid

Blackout Lights: Yes

PERFORMANCE DATA

Fording:

W/Kit:

WO/Kit: 20 in

Approach Angle: 42 Degrees, 11 Minutes

EQUIPMENT OPTIONS

Kits:

Winch:

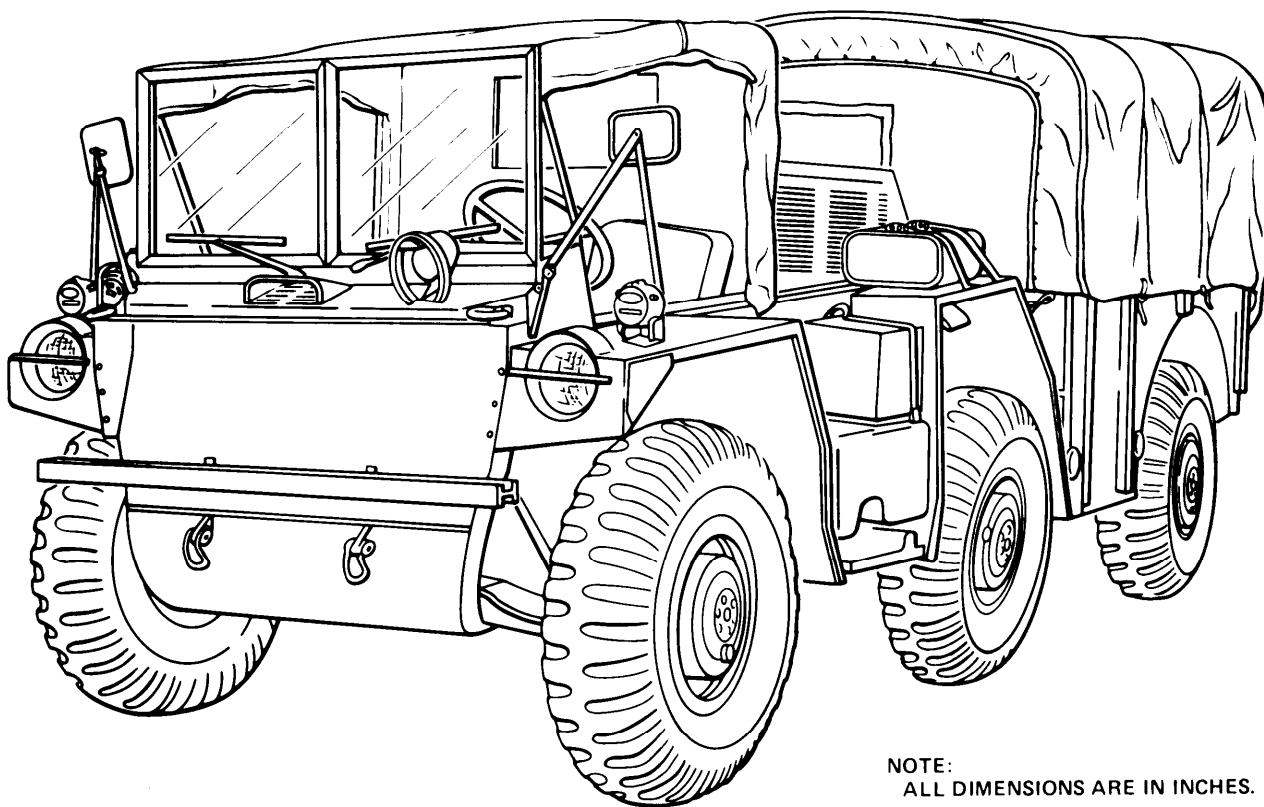
SHIPPING DATA

Curb Weight: 5,800 lb

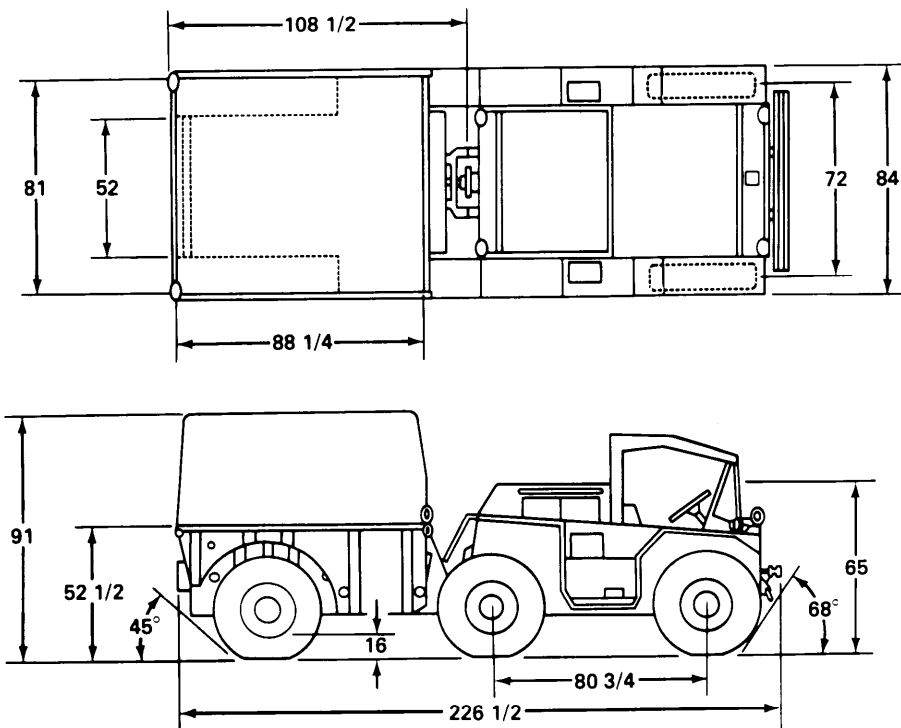
Cube: 758 cu ft

Ground Clearance: 7.8 in

Fifth Wheel Height:



NOTE:
ALL DIMENSIONS ARE IN INCHES.



TA208670

PURPOSE: A tactical vehicle designed for use on all types of roads, highways, and cross-country terrain moving different types of cargo including weapons and ammunition.

GENERAL INFORMATION

Nomenclature: TRUCK, CARGO: 1 1/4
Ton, 6x6, W/E

Model Number: M561

Crew/Cab Capacity: 2

NSN: 2320-00-873-5407

MN: X39940

SSN: D112010

TM: 9-2320-242-Series

CHARACTERISTICS

Horsepower: 103 bhp @ 2,800 rpm

Transmission: Manual; 4 Fwd, 1 Rev

Electrical System: 24 Volt

Tires: 11:00 x 18, 6-ply

Brakes: Hydraulic

Blackout Lights: Yes

PERFORMANCE DATA

Fording:

W/Kit: Swims at 2.5 mph

WO/Kit:

Approach Angle: 68 Degrees @ Curb Weight

VEHICLE DATA

Type Classification & Date: Std A, 1966

Replaces/Replaced By:

Life Expectancy: 12 Years

Payload: 2,500 lb

Towed Load Allowance: 6,000 lb

Air Transportability: Phase I, air
droppable

EQUIPMENT OPTIONS

Kits: Winch, Winterization, Arctic, Electric
Shelter, Slave Receptacle, Radio and
Antenna Mtg, Gun Mtg, 81mm Mortar Kit,
100 Amp Alternator, 4.2 in Mortar Kit

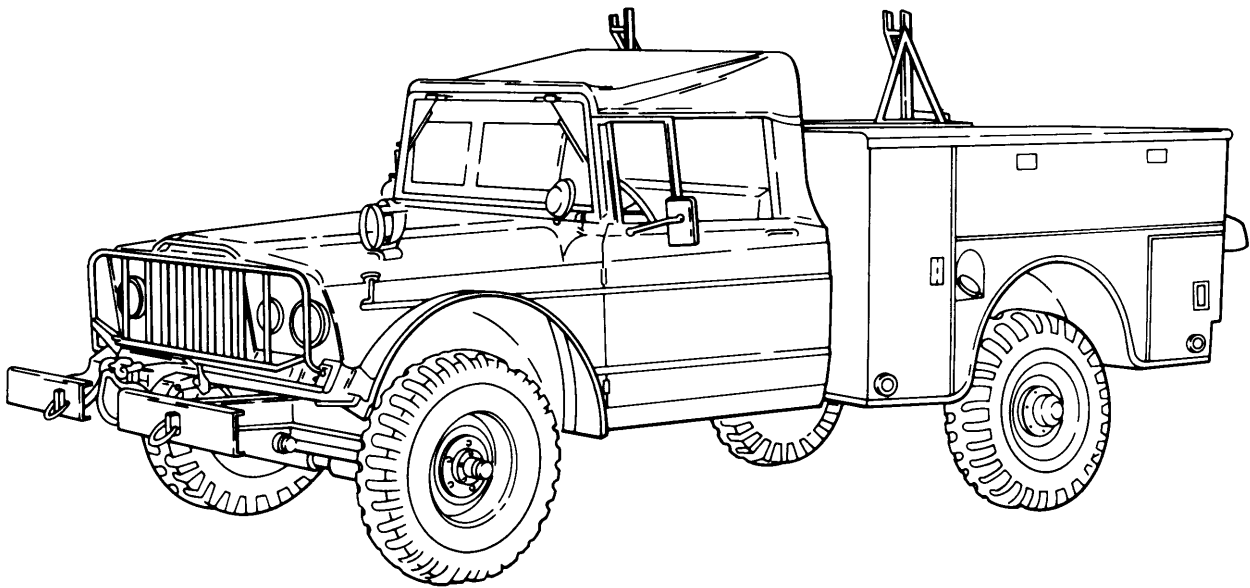
Winch: No

SHIPPING DATA

Weight: 7,300 lb

Cube: 1,080 cu ft (Reducible to 732.3 cu ft)

Ground Clearance: 16 in.



PURPOSE: To provide a mobile maintenance capability for lines of communication.

GENERAL INFORMATION

Nomenclature: TRUCK, MAINTENANCE,
1 1/4 Ton, 4x4, Telephone, W/Winch,
W/E

Model Number: M726

Crew/Cab Capacity:

NSN: 2320-00-921-6833

LIN: X53775

SSN: D111060

TM: 9-2320-244-Series

CHARACTERISTICS

Horsepower: 132.5 bhp @ 4,000 rpm

Transmission: Manual; 4 Fwd, 1 Rev

Electrical System: 24 Volt

Tires: Pneumatic

Brakes: Hydraulic

Blackout Lights: Yes

PERFORMANCE DATA

Fording:

W/Kit:

WO/Kit:

Approach Angle:

VEHICLE DATA

Type Classification & Date: Std O, 1969

Replaced By: M888

Life Expectancy: 7 Years

Payload: 2,500 lb

Towed Load Allowance:

Air Transportability: Phase II

EQUIPMENT OPTIONS

Kits: Maintenance Shelter, Fording,
Personnel Heater

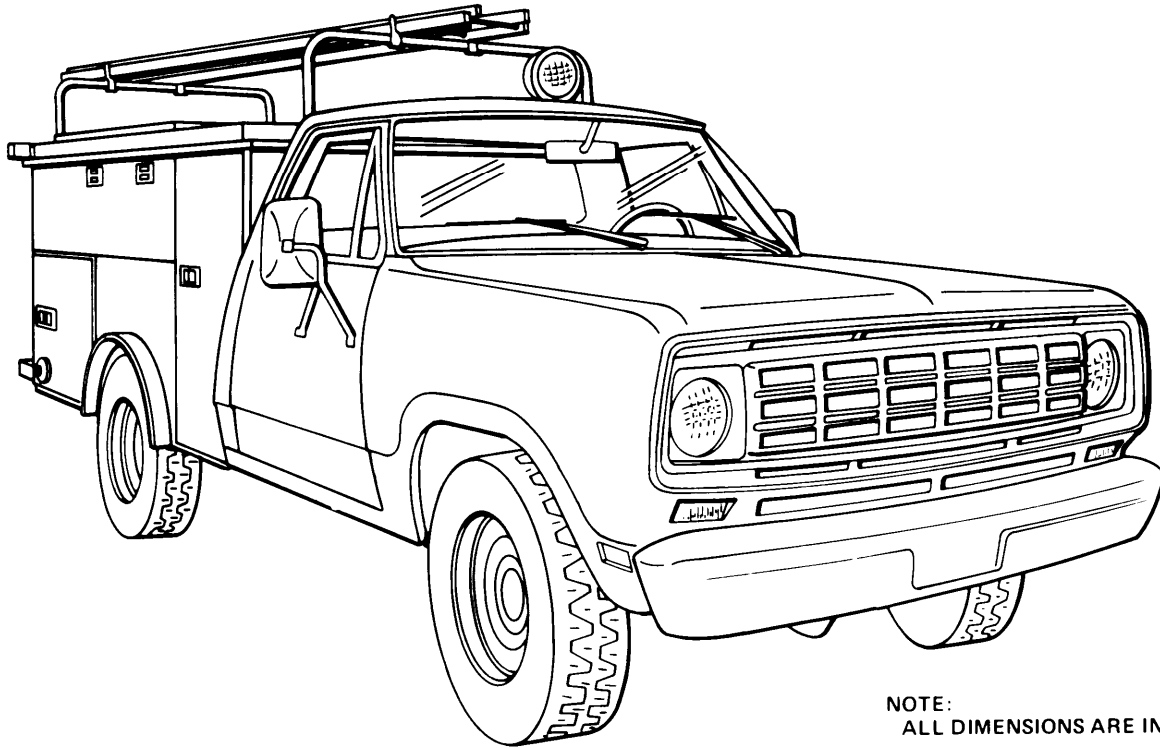
Winch: Yes

SHIPPING DATA

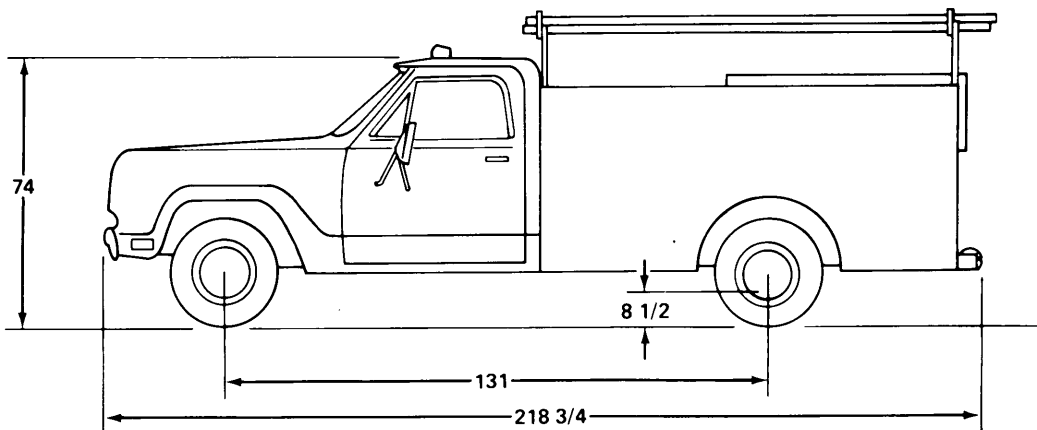
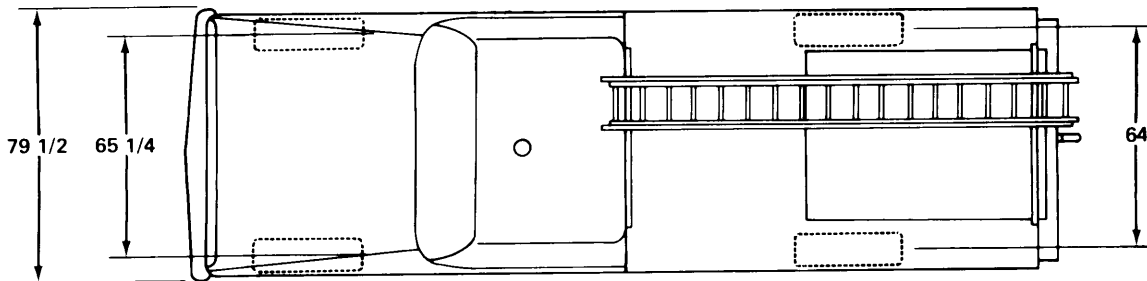
Weight: 9,400 lb

Cube:

Ground Clearance: 10 in



NOTE:
ALL DIMENSIONS ARE IN INCHES.



TA208658

PURPOSE: A general purpose vehicle for tactical telephone communications installation and maintenance. Telephone maintenance body installed on truck bed.

GENERAL INFORMATION

Nomenclature: TRUCK, MAINTENANCE:
1 1/4 Ton, 4x4, Tactical Telephone
Model Number: M888
Crew/Cab Capacity: 3
NSN: 2320-01-044-0333
LIN: Z93998
SSN: D111030
TM: 9-2320-266-Series

VEHICLE DATA

Type Classification & Date: Std A, 1971
Replaces: M201/M726
Life Expectancy: 7 Years
Payload: 2,500 lb
Towed Load Allowance:
Air Transportability: Phase II

CHARACTERISTICS

Horsepower: 150 bhp @ 4,000 rpm
Transmission: Automatic
Electrical System: 12 Volt
Tires: 9:5 R 16.5 LT 4 R-D Cust
Flexsteel XG
Brakes: Hydraulic, front disc, rear drum
Blackout Lights: Blackout light kit optional

EQUIPMENT OPTIONS

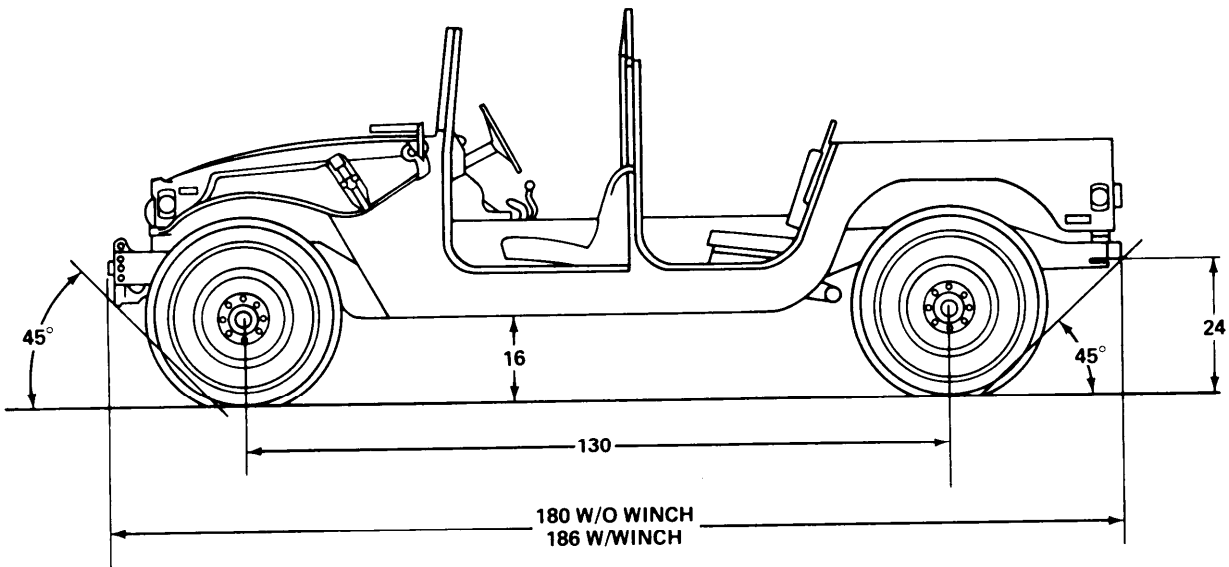
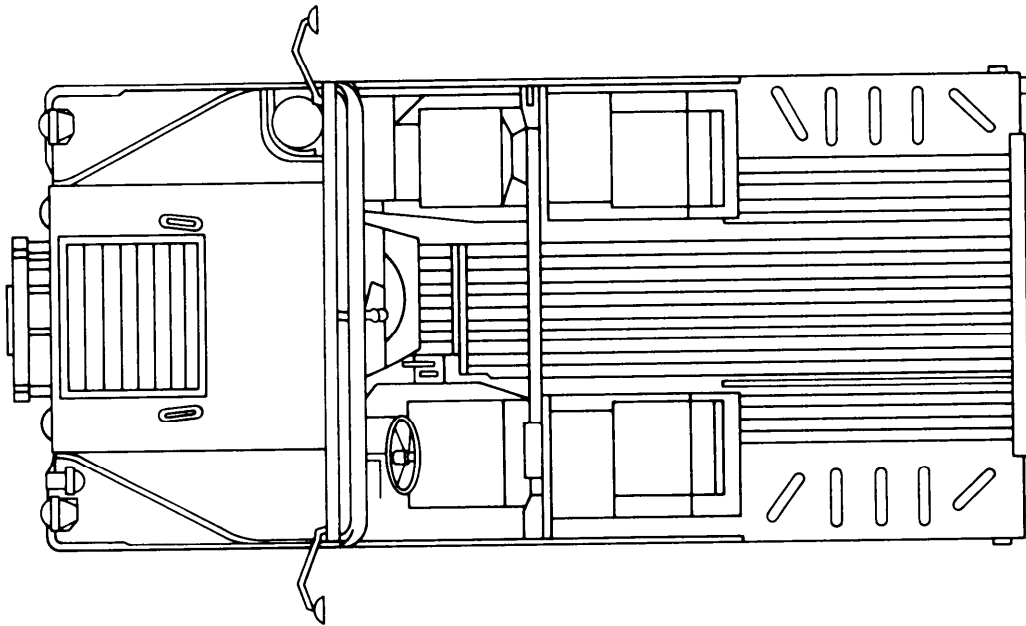
Kits: Blackout Light
Winch: No

PERFORMANCE DATA

Fording:
W/Kit:
WO/Kit: 16 in
Approach Angle:

SHIPPING DATA

Weight: 4,648 lb
Cube: 685 cu ft
Ground Clearance: 8 1/2 in



NOTE:
ALL DIMENSIONS ARE IN INCHES.

TA209182

PURPOSE: A high mobility multipurpose vehicle for highway secondary and cross country roads.

GENERAL INFORMATION

Nomenclature: TRUCK, UTILITY: 1 1/4-Ton, 4x4, Cargo/Troop Carrier, HMWWV, W/E

Model Number: M998

Crew/Cab Capacity: 2/4

NSN: 2320-01-107-7155

LIN: T61494

SSN:

TM: 9-2320-280-Series

CHARACTERISTICS

Horsepower: 150 ghp @ 3,600 rpm

Transmission: Automatic

Electrical System: 28 Volt DC

Tires: Goodyear/2C0281 Bias Ply W/Nylon Breakers, 36x12.5-16.5

Brakes: Disc - Front and Rear

Blackout Lights: Yes

PERFORMANCE DATA

Fording: 30 in

Approach Angle: 69 Degrees

Departure Angle: 45 Degrees

Range: 300 miles

VEHICLE DATA

Type Classification & Date: Std A, 1983

Replaces: Selectively, M151, M274, M880 and M561

Life Expectancy: 12 Years

GVW: 7,500 lb

Towed Load Allowance: 3,400 lb

Air Transportability:

Helicopters: CH60A, CH47 and CH53 D/E

Aircraft: C5A, C141 and C130

EQUIPMENT OPTIONS

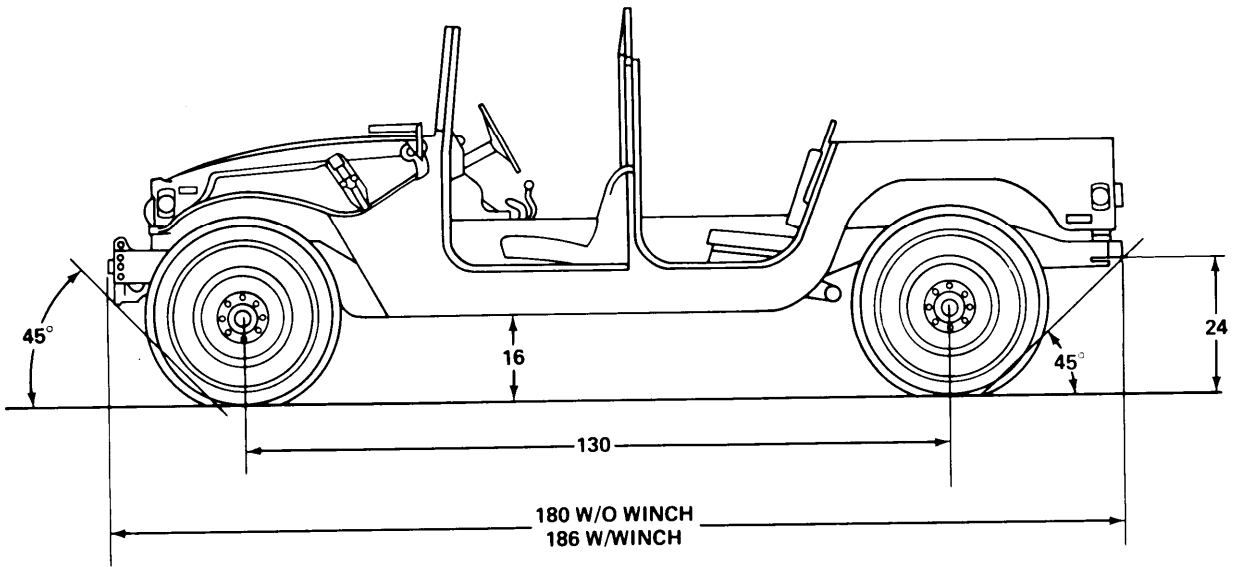
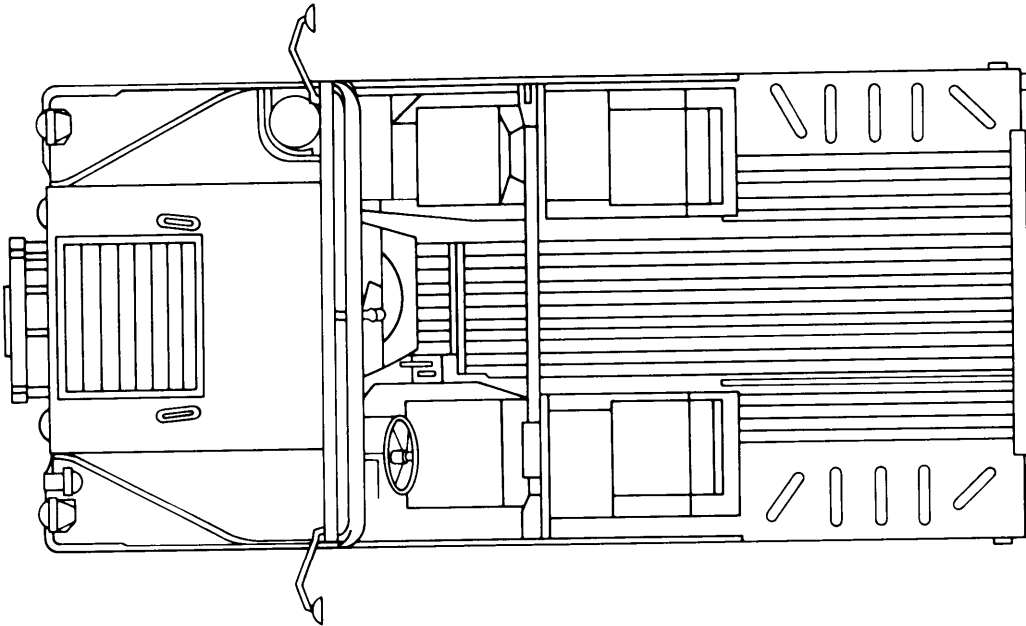
Kits: Arctic, Troop Seat and Soft Top Enclosures, Armament Mounting, 81 mm and 4.2 in Mortars, and 60 mm Lightweight Mortar

SHIPPING DATA

Weight: 4,971 lb

Cube: 486.75 cu ft

Ground Clearance: 16 in



NOTE:
ALL DIMENSIONS ARE IN INCHES.

TA209183

PURPOSE: A high mobility multipurpose vehicle for highway, secondary and cross country roads.

GENERAL INFORMATION

Nomenclature: TRUCK, UTILITY: 1 1/4-Ton, 4x4, Cargo/Troop Carrier, W/Winch, HUMMV, W/E

Model Number: M1038

Crew/Cab Capacity: 2/4

NSN: 2320-01-107-7156

LIN: T61562

SSN:

TM: 9-2320-280-Series

CHARACTERISTICS

Horsepower: 150 ghp @ 3,600 rpm

Transmission: Automatic

Electrical System: 28 Volt DC

Tires: Goodyear/2C0281, Bias Ply W/Nylon Breakers, 36 x 12.5-16.5

Brakes: Disc - Front and Rear

Blackout Lights: Yes

PERFORMANCE DATA

Fording: 30 in

Approach Angle: 45 Degrees

Departure Angle: 45 Degrees

Range: 300 miles

VEHICLE DATA

Type Classification & Date: Std A, 1983

Replaces: Selectively, M151, M274, M880 and M561

Life Expectancy: 12 Years

GVW: 7,500 lb

Towed Load Allowance: 3,400 lb

Air Transportability:

Helicopters: CH60A, CH47 and CH53 D/E

Aircraft: C5A, C141 and C130

EQUIPMENT OPTIONS

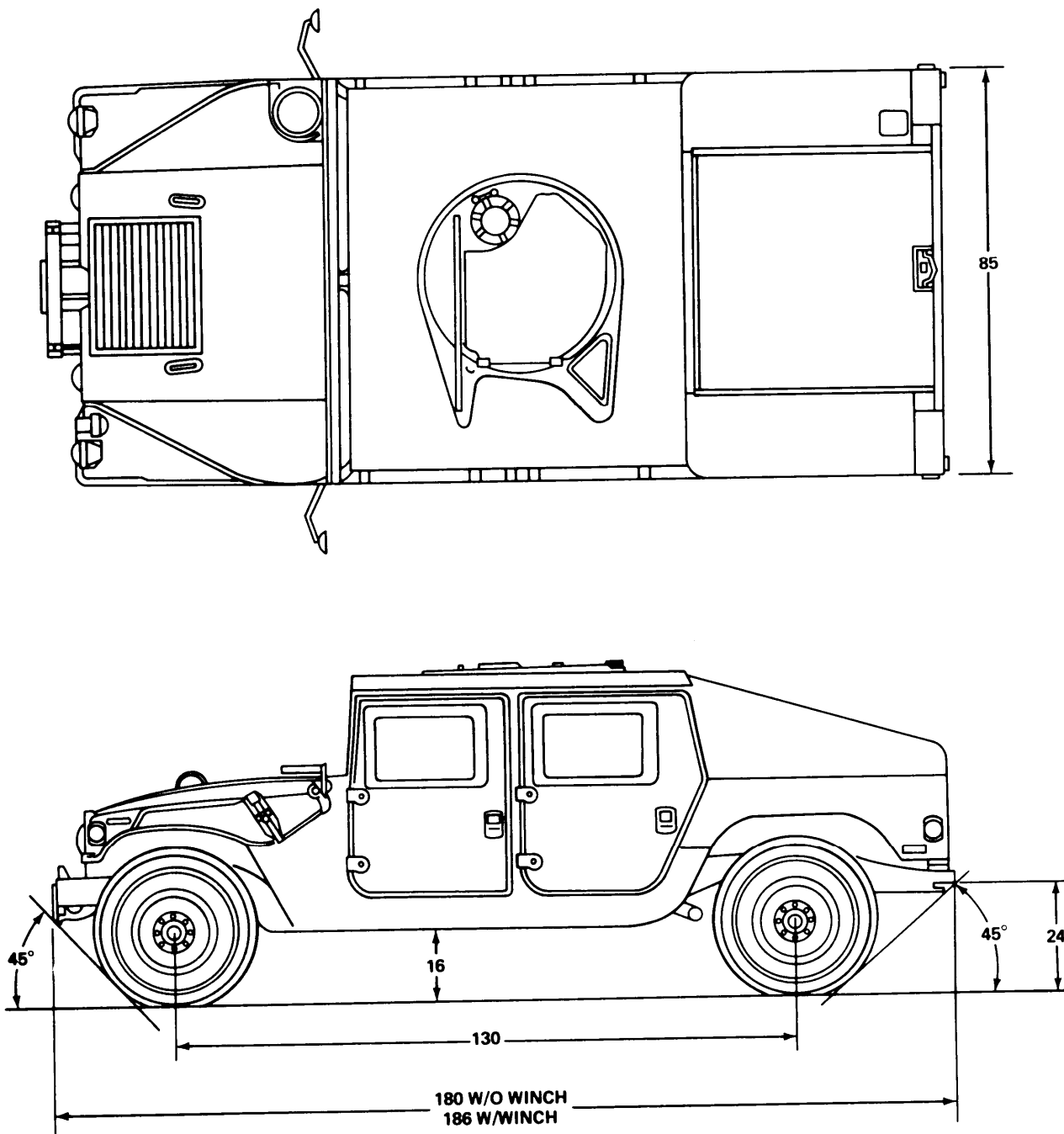
Kits: Arctic, Troop Seat, Soft Top Enclosures, Armament Mounting, 81 mm and 4.2 in Mortars, and 60 mm Lightweight Mortar Warn Mod W8000D2S (Electric)

SHIPPING DATA

Weight: 5,113 lb

Cube: 502.98 cu ft

Ground Clearance: 16 in



NOTE:
ALL DIMENSIONS ARE IN INCHES.

TA209184

PURPOSE: A high mobility multipurpose vehicle designed for highway, secondary and cross country roads.

GENERAL INFORMATION

Nomenclature: TRUCK, UTILITY: 1 1/4-Ton, 4x4, ARMT Carrier, ARMD, HUMMV, W/E

Model Number: M1025

Crew/Cab Capacity: 4

NSN: 2320-01-128-9551

LIN: T92242

SSN:

TM:

CHARACTERISTICS

Horsepower: 150 ghp @ 3,600 rpm

Transmission: Automatic

Electrical System: 28 Volt DC

Tires: Goodyear/2C0281, Bias Ply W/Nylon Breakers, 36 x 12.5-16.5

Brakes: Disc - Front and Rear

Blackout Lights: Yes

PERFORMANCE DATA

Fording: 30 in

Approach Angle: 69 Degrees

Departure Angle: 45 Degrees

Range: 300 miles

VEHICLE DATA

Type Classification & Date: Std A, 1983

Replaces: Selectively, M151

Life Expectancy: 12 Years

GVW: 7,900 lb

Towed Load Allowance: 3,400 lb

Air Transportability:

Helicopters: CH60A, CH47 and CH531

Aircraft: C5A, C141 and C130

EQUIPMENT OPTIONS

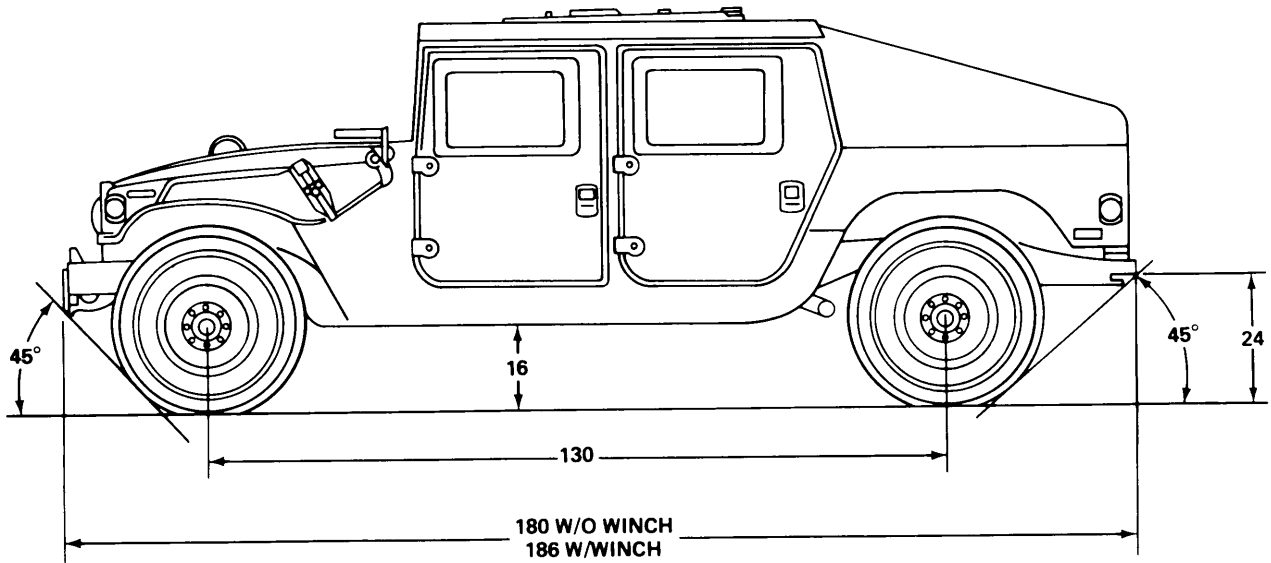
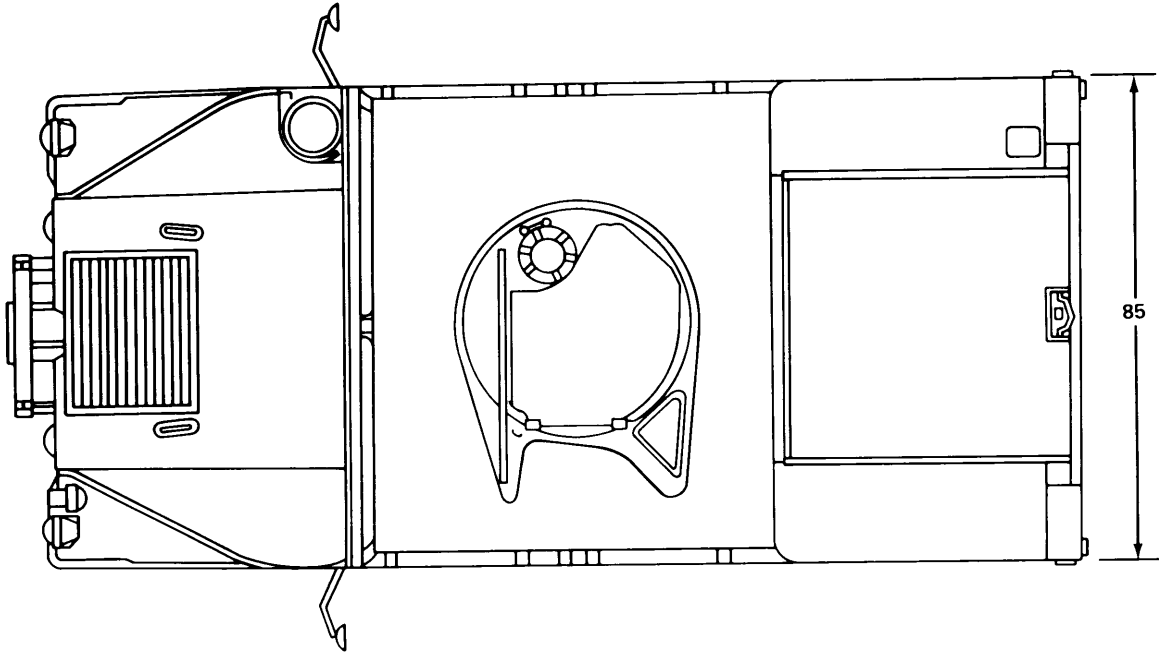
Kits: Arctic

SHIPPING DATA

Weight: 5,837 lb

Cube: 646.05 cu ft

Ground Clearance: 16 in



NOTE:
ALL DIMENSIONS ARE IN INCHES.

TA209185

PURPOSE: A high mobility multipurpose vehicle designed for highway, secondary and cross country roads.

GENERAL INFORMATION

Nomenclature: TRUCK, UTILITY: 1 1/4-Ton, 4x4, ARMT Carrier, ARMD, HUMMV, W/E

Model Number: M1026

Crew/Cab Capacity: 4

NSN: 2320-01-128-9552

LIN: T92310

SSN:

TM: 9-2320-280-Series

CHARACTERISTICS

Horsepower: 150 ghp @ 3,600 rpm

Transmission: Automatic

Electrical System: 28 Volt DC

Tires: Goodyear/2C0281, Bias Ply W/Nylon Breakers, 36 x 12.5-16.5

Brakes: Disc - Front and Rear

Blackout Lights: Yes

PERFORMANCE DATA

Fording: 30 in

Approach Angle: 45 Degrees

Departure Angle: 45 Degrees

Range: 300 miles

VEHICLE DATA

Type Classification & Date: Std A, 1983

Replaces: Selectively, M151

Life Expectancy: 12 Years

GVW: 7,900 lb

Towed Load Allowance: 3,400 lb

Air Transportability:

Helicopters: CH60A, CH47 and CH531

Aircraft: C5A, C141 and C130

EQUIPMENT OPTIONS

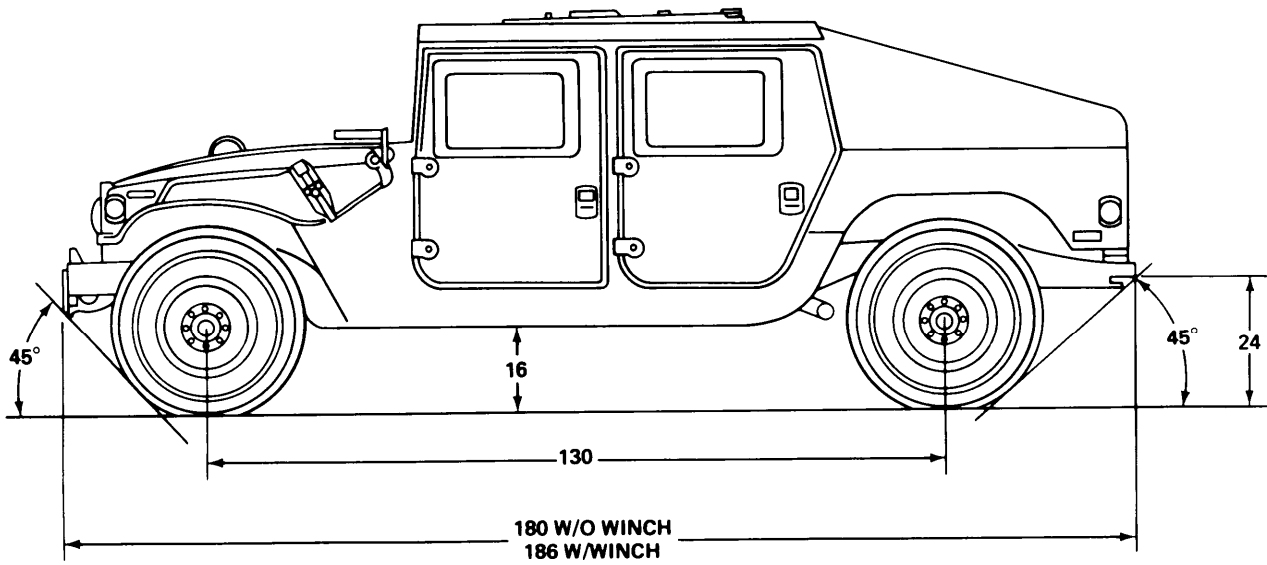
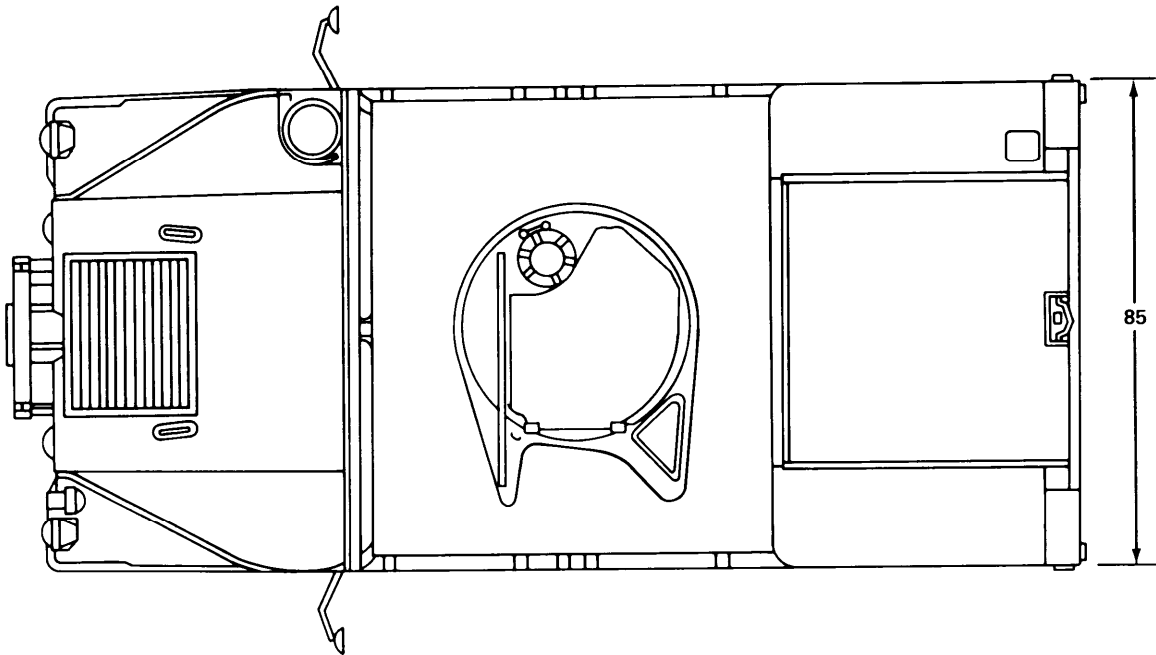
Kits: Arctic

SHIPPING DATA

Weight: 5,980 lb

Cube: 667.58 cu ft

Ground Clearance: 16 in



NOTE:
ALL DIMENSIONS ARE IN INCHES.

TA209186

PURPOSE: A high mobility multipurpose vehicle designed for highway, secondary and cross country roads.

GENERAL INFORMATION

Nomenclature: TRUCK, UTILITY: 1 1/4-Ton, 4x4, ARMT Carrier, W/SA, HUMMV, W/E

Model Number: M1043

Crew/Cab Capacity: 4

NSN: 2320-01-146-7190

LIN:

SSN:

TM: 9-2320-280-Series

CHARACTERISTICS

Horsepower: 150 ghp @ 3,600 rpm

Transmission: Automatic

Electrical System: 28 Volt DC

Tires: Goodyear/2C0281, Bias Ply W/Nylon Breakers, 36 x 12.5-16.5

Brakes: Disc - Front and Rear

Blackout Lights: Yes

PERFORMANCE DATA

Fording:

W/Kit: 60 in

WO/Kit: 30 in

Approach Angle: 69 Degrees

VEHICLE DATA

Type Classification & Date: Std A, 1983

Replaces: Selectively, M151

Life Expectancy: 12 Years

Payload: 1,605 lbs (Including Crew)

Towed Load Allowance: 3,400 lb

Air Transportability:

Helicopters: CH60A, CH47 and CH53 D/E

Aircraft: C5A, C141 and C130

EQUIPMENT OPTIONS

Kits: Arctic, Explosion Proof Fuel Tank, Deep Water Fording

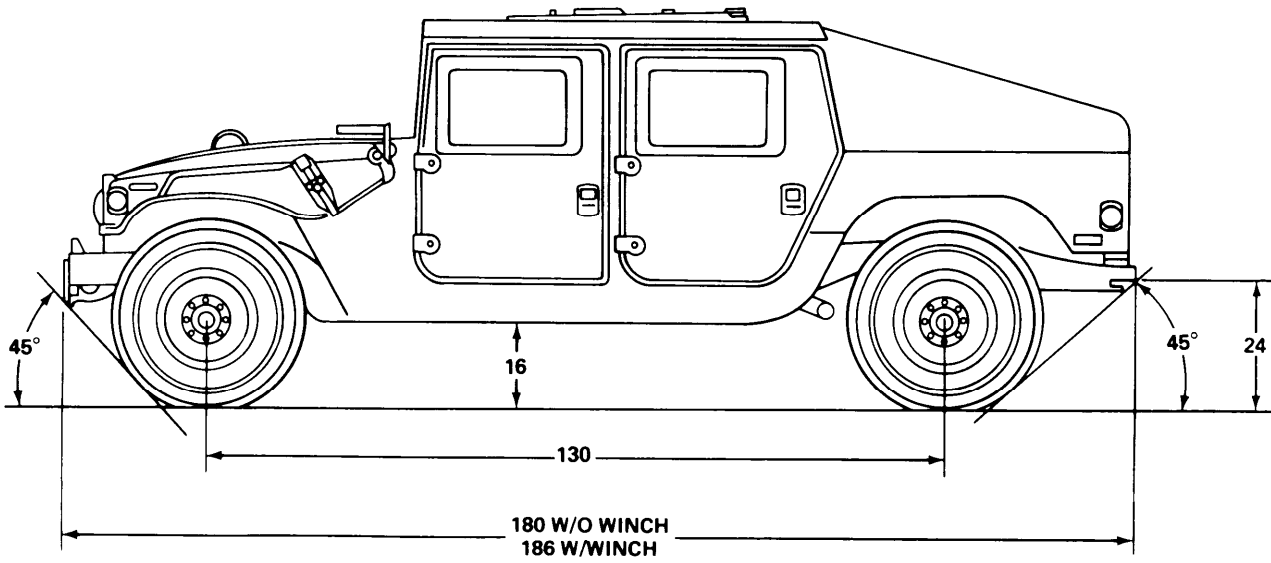
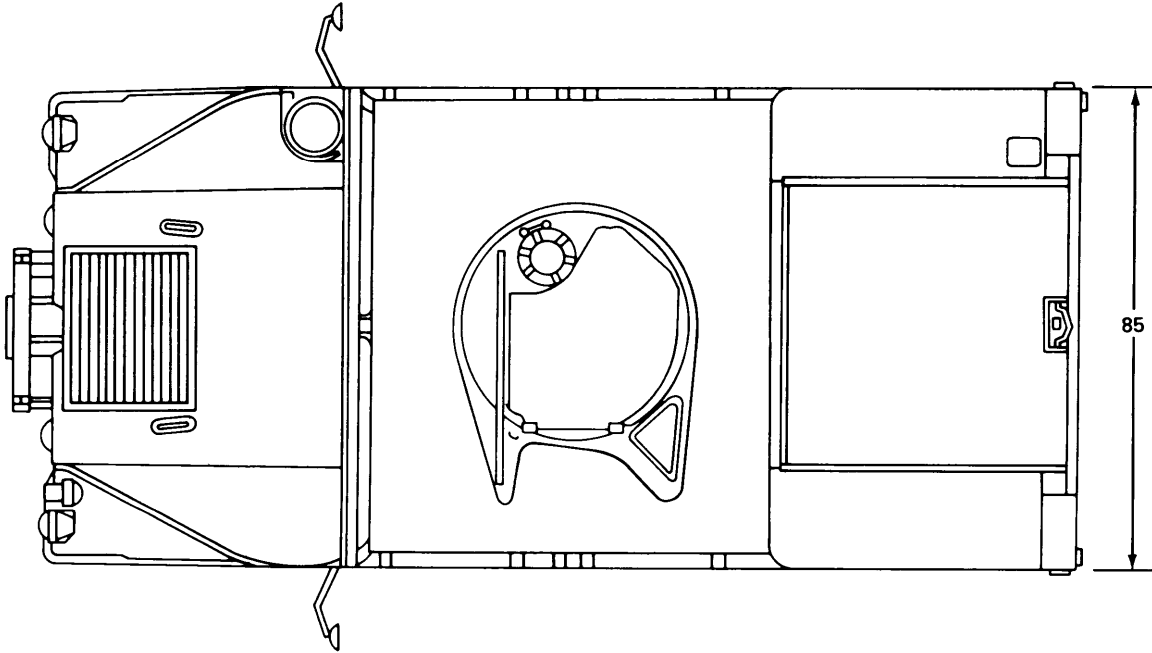
Winch:

SHIPPING DATA

Weight: 6,155 lb

Cube: 646.05 cu ft

Ground Clearance: 16 in



NOTE:
ALL DIMENSIONS ARE IN INCHES.

TA209187

PURPOSE: A high mobility multipurpose vehicle designed for highway, secondary and cross country roads.

GENERAL INFORMATION

Nomenclature: TRUCK, UTILITY: 1 1/4-Ton, 4x4, ARMT Carrier, W/SA, W/Winch, HUMMV, W/E

Model Number: M1044

Crew/Cab Capacity: 4

NSN: 2320-01-146-7184

LIN:

SSN:

TM: 9-2320-280-Series

CHARACTERISTICS

Horsepower: 150 ghp @ 3,600 rpm

Transmission: Automatic

Electrical System: 28 Volt DC

Tires: Goodyear/2C0281, Bias Ply W/Nylon Breakers, 36 x 12.5-16.5

Brakes: Disc - Front and Rear

Blackout Lights: Yes

PERFORMANCE DATA

Fording:

W/Kit: 60 in

WO/Kit: 30 in

Approach Angle: 45 Degrees

VEHICLE DATA

Type Classification & Date: Std A, 1983

Replaces: Selectively, M151

Life Expectancy: 12 Years

Payload: 1,462 lbs (Including Crew)

Towed Load Allowance: 3,400 lb

Air Transportability:

Helicopters: CH60A, CH47 and CH53 D/E

Aircraft: C5A, C141 and C130

EQUIPMENT OPTIONS

Kits: Arctic, Explosion Proof Fuel Tank, Deep Water Fording, Warn Mod W8000D2S (Electric)

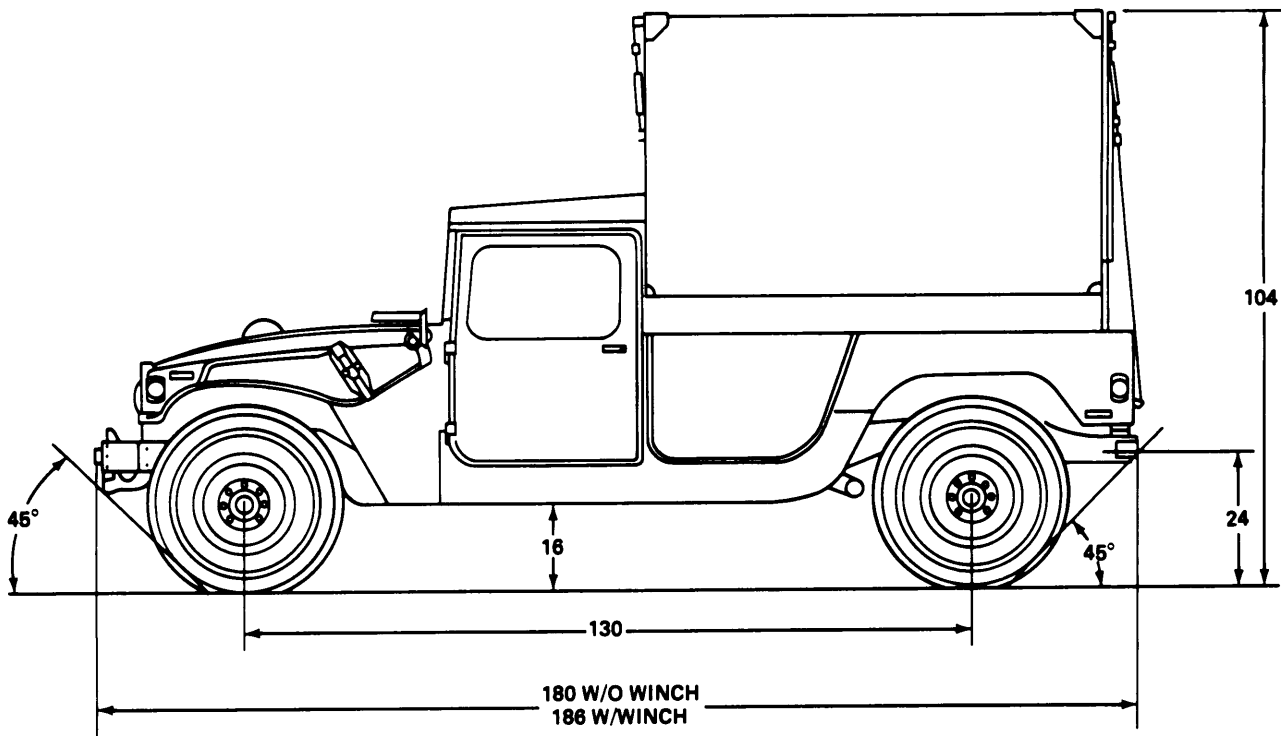
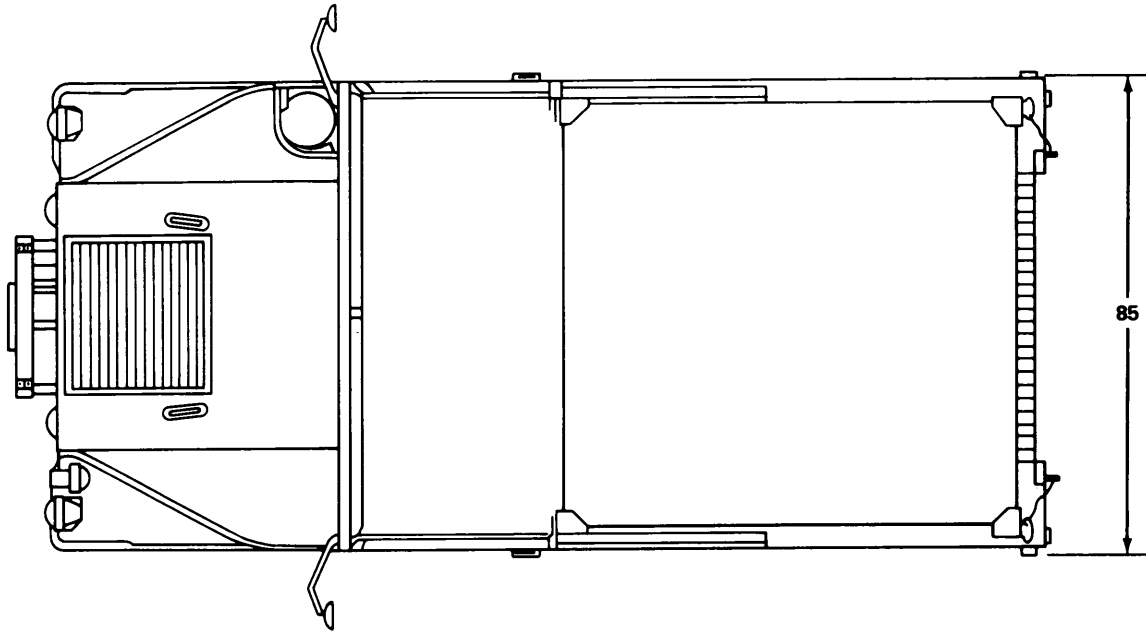
Winch: Yes

SHIPPING DATA

Weight: 6,298 lb

Cube: 667.58 cu ft

Ground Clearance: 16 in



NOTE:
ALL DIMENSIONS ARE IN INCHES.

TA209188

PURPOSE: A high mobility multipurpose vehicle designed for highway, secondary and cross country roads.

GENERAL INFORMATION

Nomenclature: TRUCK, UTILITY: 1 1/4-Ton, 4x4, S250 Shelter Carrier, HUMMV, W/E

Model Number: M1037

Crew/Cab Capacity: 2

NSN: 2320-01-146-7193

LIN: T07543

SSN:

TM: 9-2320-280-Series

CHARACTERISTICS

Horsepower: 150 ghp @ 3,600 rpm

Transmission: Automatic

Electrical System: 28 Volt DC

Tires: Goodyear/2C0281, Bias Ply W/Nylon Breakers, 36 x 12.5 -16.5

Brakes: Disc - Front and Rear

Blackout Lights: Yes

PERFORMANCE DATA

Fording: 30 in

Approach Angle: 69 Degrees

Departure Angle: 45 Degrees

Range: 300 miles

VEHICLE DATA

Type Classification & Date: Std A, 1983

Replaces: Selectively, M880

Life Expectancy: 12 Years

GVW: 8,600 lbs

Towed Load Allowance: 3,400 lb

Air Transportability:

Helicopters: CH60A, CH47 and CH53 D/E

Aircraft: C5A, C141 and C130

EQUIPMENT OPTIONS

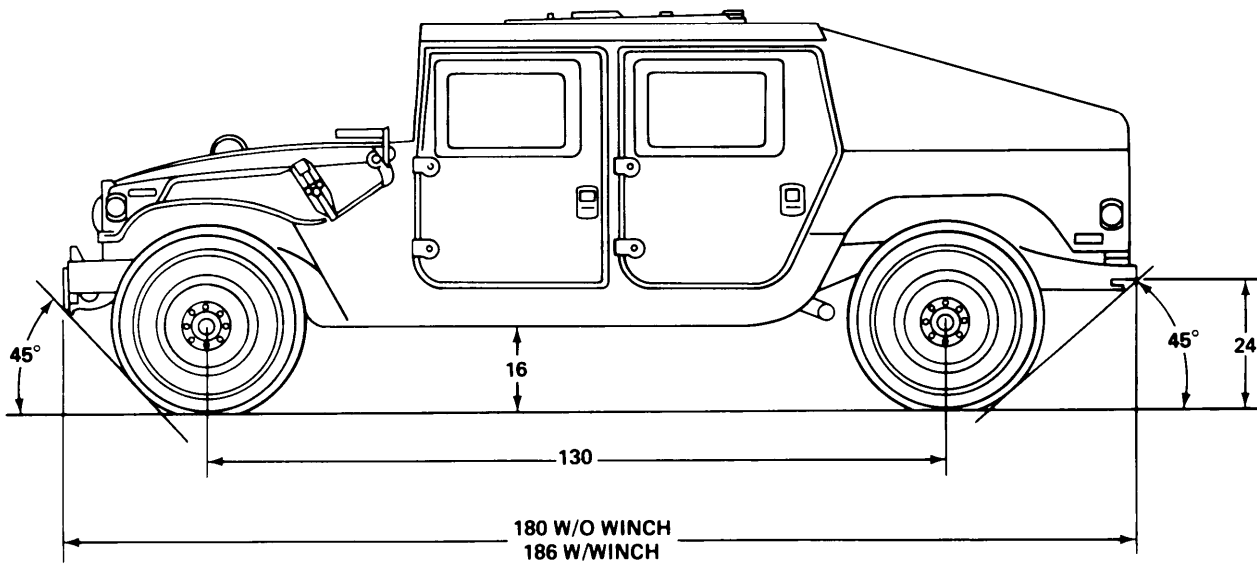
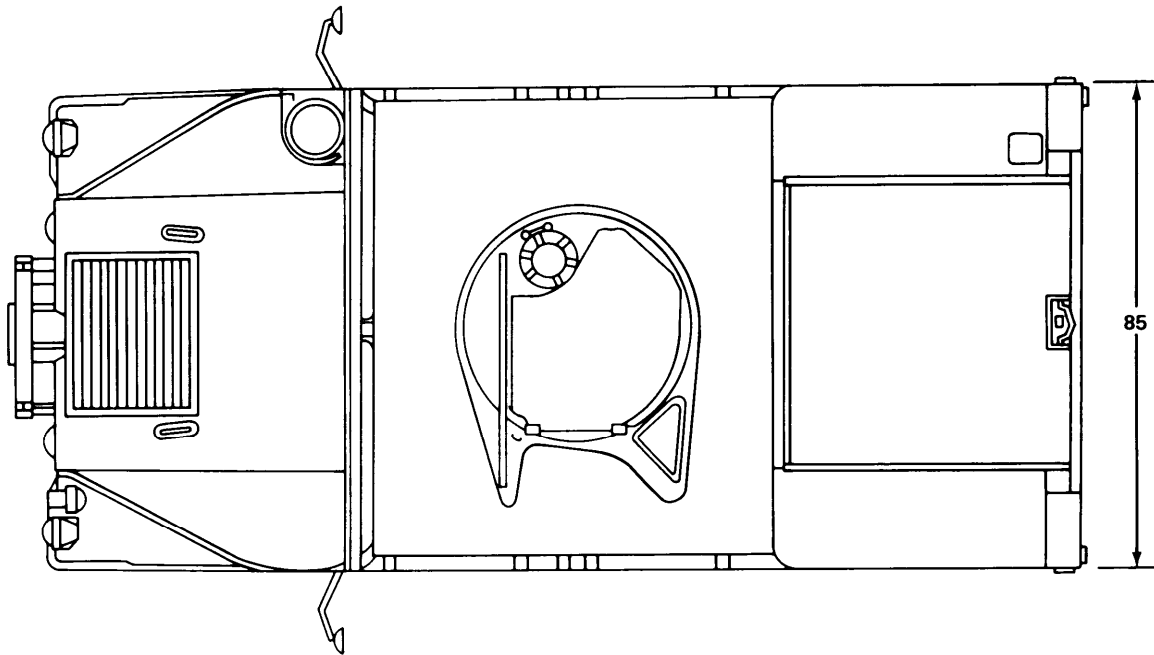
Kits: Arctic, Enclosure

SHIPPING DATA

Weight: 4,213 lb (WO/Enclosure)
5,038 lb (W/Enclosure)

Cube: 486.75 cu ft (WO/Enclosure)
920.04 cu ft (W/Enclosure)

Ground Clearance: 16 in



NOTE:
ALL DIMENSIONS ARE IN INCHES.

TA209189

PURPOSE: A high mobility multipurpose vehicle designed for highway, secondary and cross country roads.

GENERAL INFORMATION

Nomenclature: TRUCK, UTILITY: 1 1/4-Ton, 4x4, TOW Carrier, W/SA, HUMMV, W/E

Model Number: M1045

Crew/Cab Capacity: 4

NSN: 2320-01-146-7191

LIN:

SSN:

TM: 9-2320-280-Series

CHARACTERISTICS

Horsepower: 150 ghp @ 3,600 rpm

Transmission: Automatic

Electrical System: 28 Volt DC

Tires: Goodyear/2C0281

Brakes: Disc - Front and Rear

Blackout Lights: Yes

PERFORMANCE DATA

Fording:

W/Kit: 60 in

WO/Kit: 30 in

Approach Angle: 69 Degrees

VEHICLE DATA

Type Classification & Date: Std A, 1983

Replaces: Selectively, M151 and M274

Life Expectancy: 12 Years

Payload: 1,645 lb (Including Crew)

Towed Load Allowance: 3,400 lb

Air Transportability:

Helicopters: CH60A, CH47 and CH53 D/E

Aircraft: C5A, C141 and C130

EQUIPMENT OPTIONS

Kits: Arctic, Explosion Proof Fuel Tank, Deep Water Fording

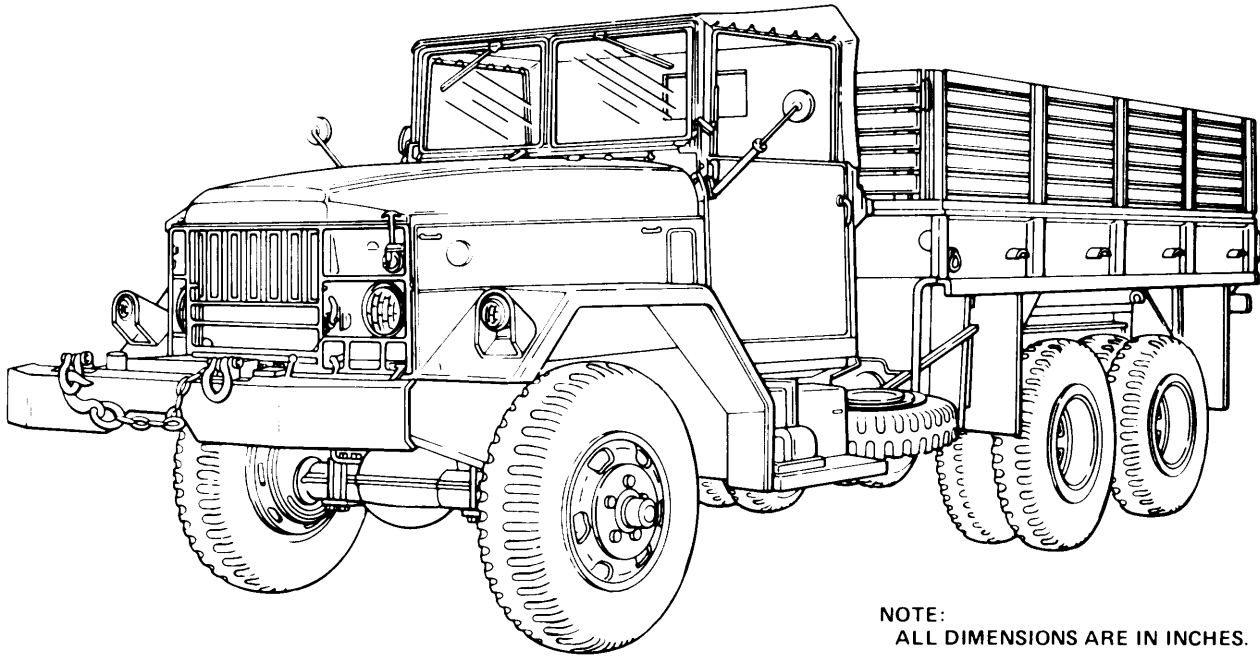
Winch:

SHIPPING DATA

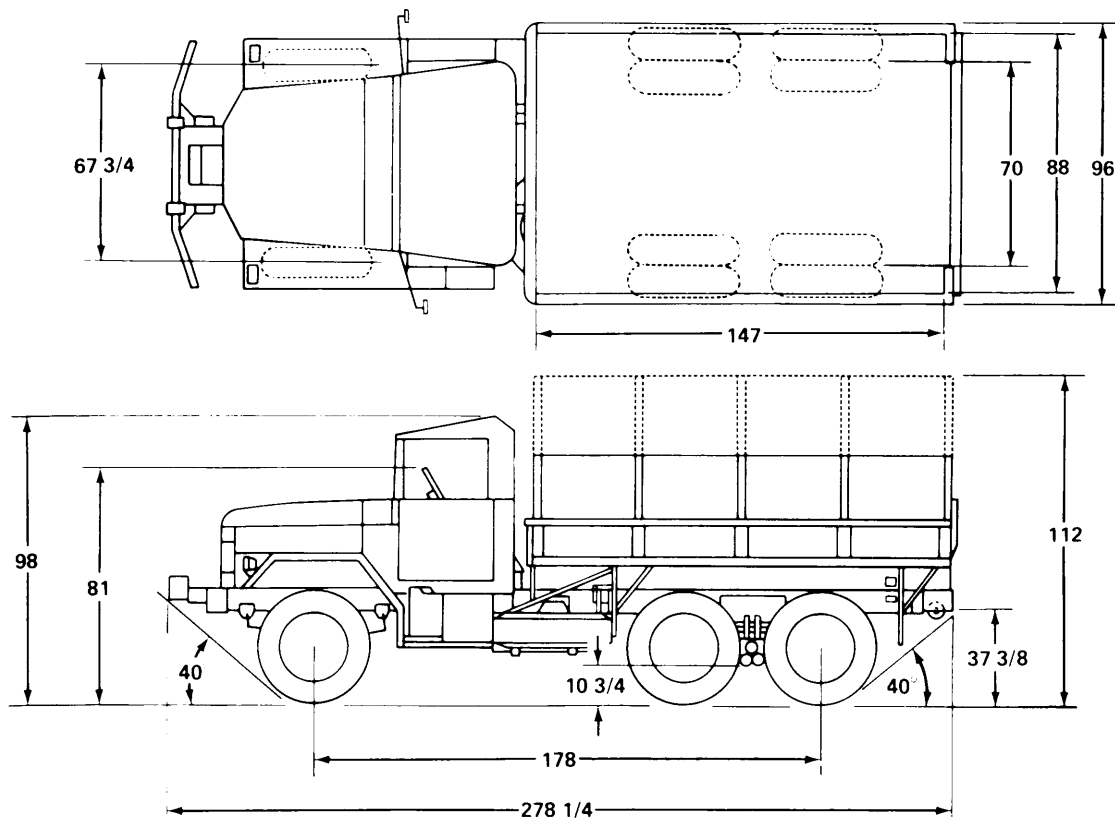
Weight: 6,115 lb

Cube: 646.06 cu ft

Ground Clearance: 16 in



NOTE:
ALL DIMENSIONS ARE IN INCHES.



TA208633

PURPOSE: This vehicle is employed by various units primarily as a cargo and personnel carrier. It is operational on and off the highway.

GENERAL INFORMATION

Nomenclature: TRUCK, CARGO:
2 1/2 Ton, 6x6, W/Winch, W/E

Model Number: M35A2

Crew/Cab Capacity: 2

NSN: 2320-00-077-1617

LIN: X40146

SSN: D131030

TM: 9-2320-209-Series

CHARACTERISTICS

Horsepower: 140 bhp @ 2,600 rpm

Transmission: Manual; 5 fwd, 1 rev

Electrical System: 24 Volt

Tires: 9:00 x 20, 8-ply

Brakes: Air over hydraulic

Blackout Lights: Yes

PERFORMANCE DATA

Fording:

W/Kit: 72 in

WO/Kit: 30 in

Approach Angle: 40 Degrees

Maximum Speed: 58 mph

Range: 350 miles

VEHICLE DATA

Type Classification & Date: Std A, 1963

Replaces: M35A1

Life Expectancy: 15 Years

Payload: 10,350 lb, Off Road: 7,000 lb

Towed Load Allowance: 6,000 lb

Air Transportability: Phase II

EQUIPMENT OPTIONS

Kits: Personnel Heater, Winterization, Fording, Electric or Air Brake, Troop Seat, Cargo Body Closure (Arctic)

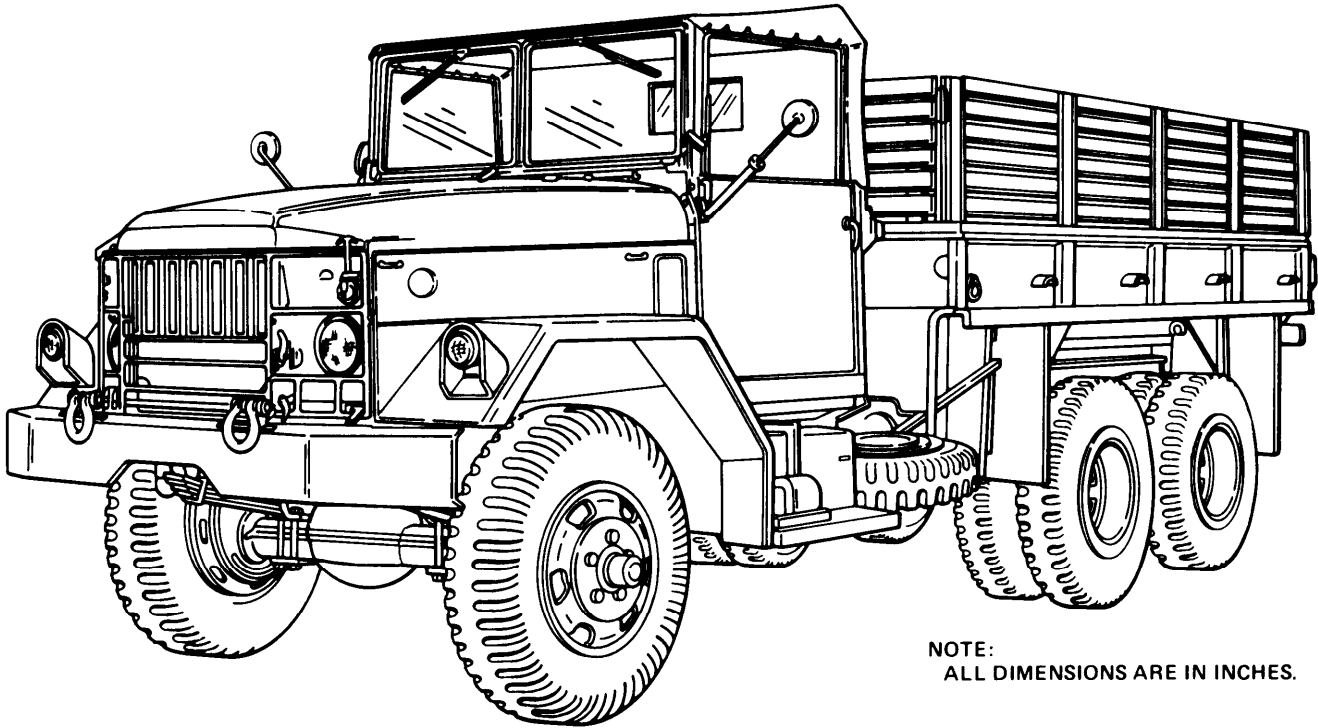
Winch: Yes

SHIPPING DATA

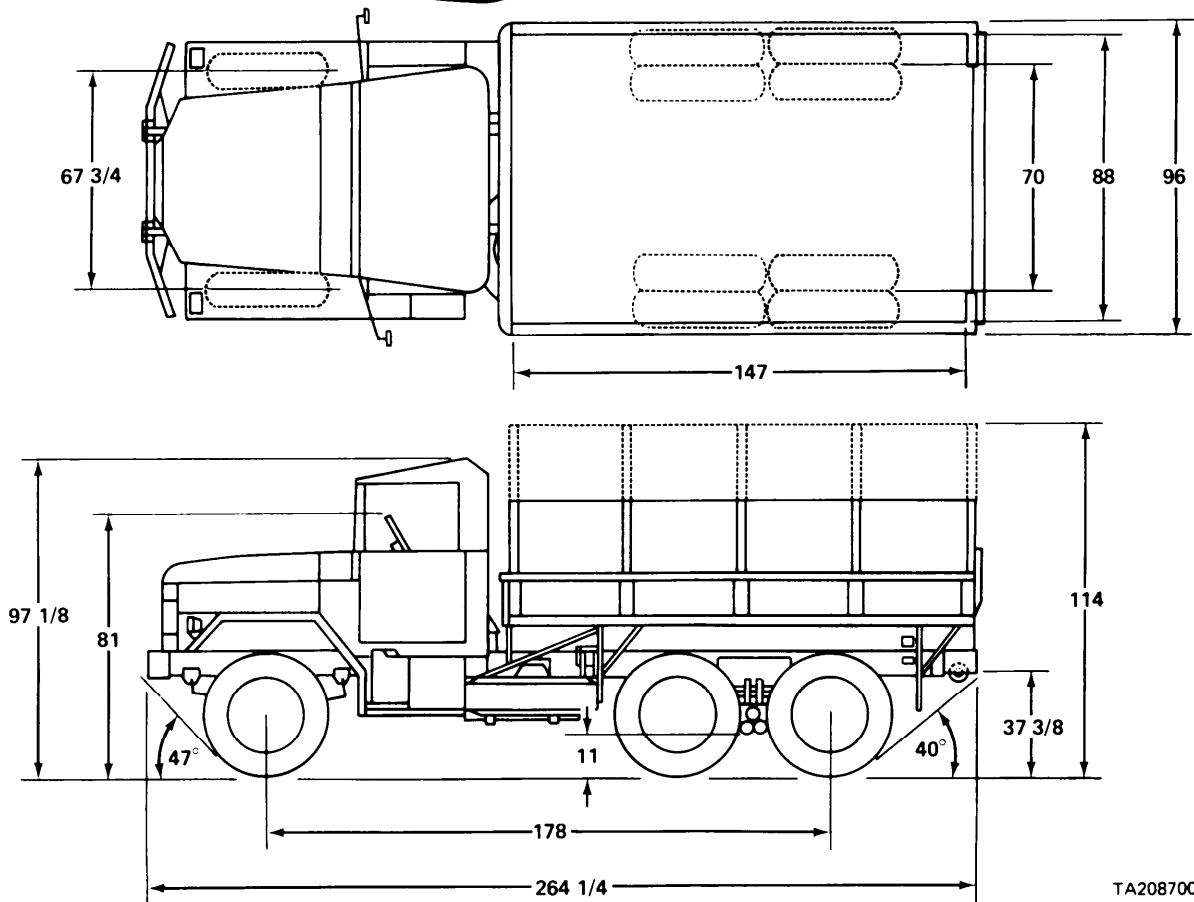
Weight: 13,700 lb

Cube: 1,260 cu ft

Ground Clearance: 10 15/16 in



NOTE:
ALL DIMENSIONS ARE IN INCHES.



TA208700

PURPOSE: This vehicle is employed by various units primarily as a cargo and personnel carrier. It is operational on and off the highway.

GENERAL INFORMATION

Nomenclature: TRUCK, CARGO: 2 1/2
Ton, 6x6, WO/Winch

Model Number: M35A2

Crew/Cab Capacity: 2

NSN: 2320-00-077-1616

LIN: X40009

SSN: D131030

TM: 9-2320-209-Series

CHARACTERISTICS

Horsepower: 140 bhp @ 2,600 rpm

Transmission: Manual; 5 Fwd, 1 Rev

Electrical System: 24 Volt

Tires: 9:00 x 20, 8-ply

Brakes: Air over hydraulic

Blackout Lights: Yes

PERFORMANCE DATA

Fording:

W/Kit: 72 in

WO/Kit: 30 in

Approach Angle: 47 Degrees

Maximum Speed: 58 mph

Range: 350 miles

VEHICLE DATA

Type Classification & Date: Std A, 1963

Replaces: M35A1

Life Expectancy: 15 Years

Payload: 10,350 lb, Off Road: 7,000 lb

Towed Load Allowance: 6,000 lb

Air Transportability: Phase II

EQUIPMENT OPTIONS

Kits: Personnel Heater, Winterization,
Fording, Electric or Air Brakes,
Troop Seat, Cargo Body Closure (Arctic)

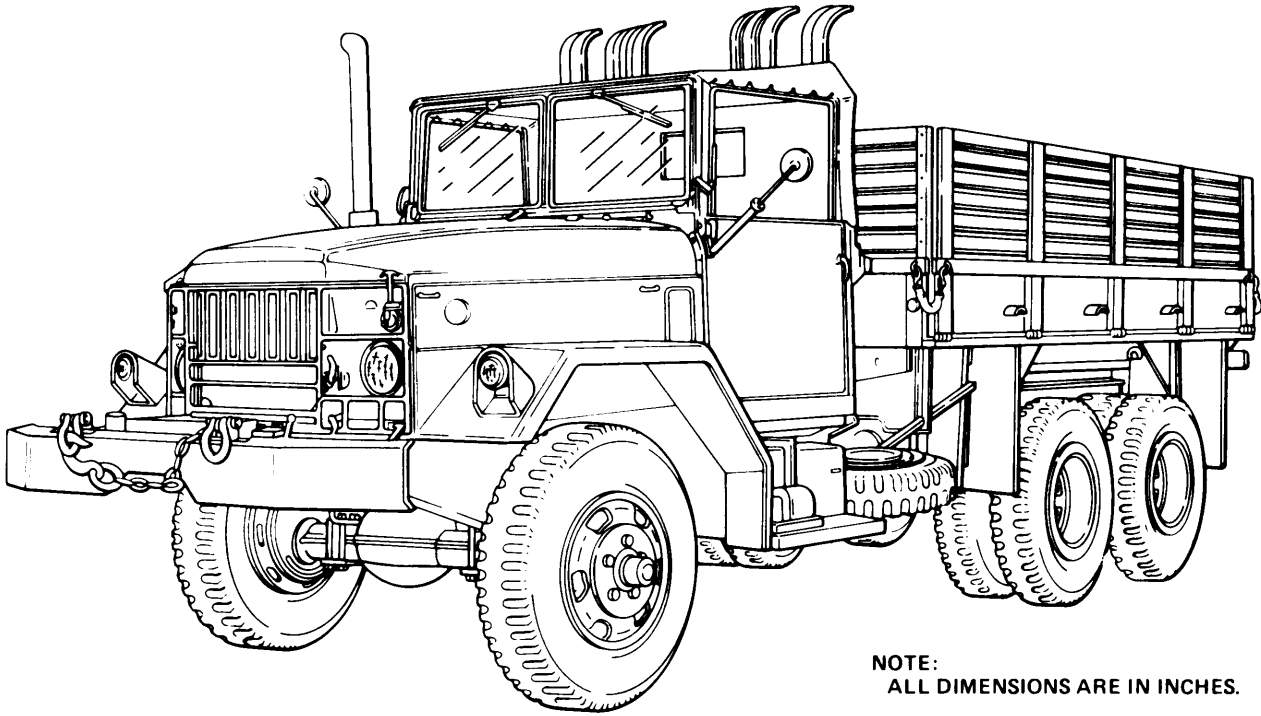
Winch: No

SHIPPING DATA

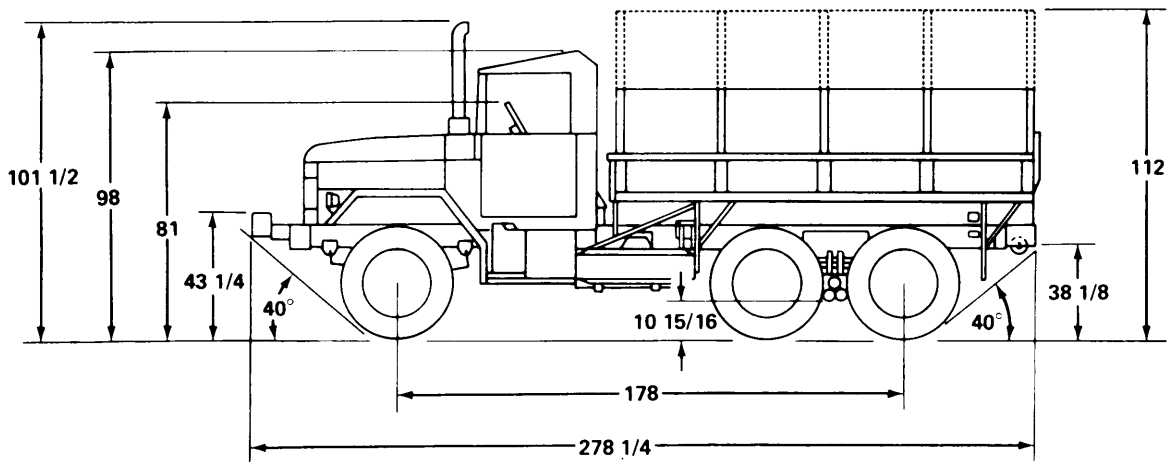
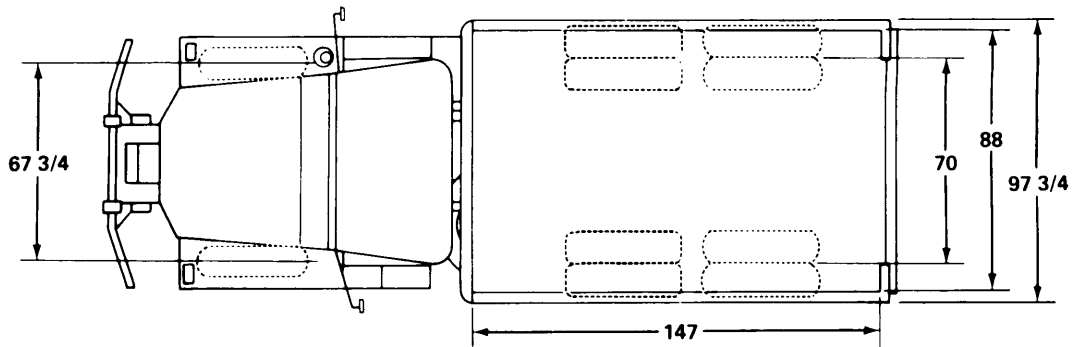
Weight: 13,700 lb

Cube: 1,190 cu ft

Ground Clearance: 10 15/16 in



NOTE:
ALL DIMENSIONS ARE IN INCHES.



TA208699

PURPOSE: This vehicle is employed by various support units primarily for cargo or personnel. It is especially well-suited for forklift cargo handling.

GENERAL INFORMATION

Nomenclature: TRUCK, CARGO: 2 1/2 Ton,
6x6, Drop Side, W/Winch

Model Number: M35A2C

Crew/Cab Capacity: 2

NSN: 2320-00-926-0875

LIN: X40214

SSN: D131030

TM: 9-2320-209-Series

CHARACTERISTICS

Engine: Multifuel

Horsepower: 140 bhp @ 2,600 rpm

Transmission: Manual; 5 Fwd, 1 Rev

Electrical System: 24 Volt

Tires: 9:00 x 20, 8-ply

Brakes: Air over hydraulic

Blackout Lights: Yes

PERFORMANCE DATA

Fording:

W/Kit: 72 in

WO/Kit: 30 in

Approach Angle: 40 Degrees

Maximum Speed: 58 mph

Range: 350 miles

VEHICLE DATA

Type Classification & Date: Std A, 1970

Replaces: None

Life Expectancy: 15 Years

Payload: 10,000 lb, Off Road: 7,000 lb

Towed Load Allowance: 6,000 lb

Air Transportability: Phase II

EQUIPMENT OPTIONS

Kits: Personnel Heater, Winterization,
Fording, Electric or Air Brakes,
Troop Seat, Cargo Body Closure (Arctic),
"A" Frame

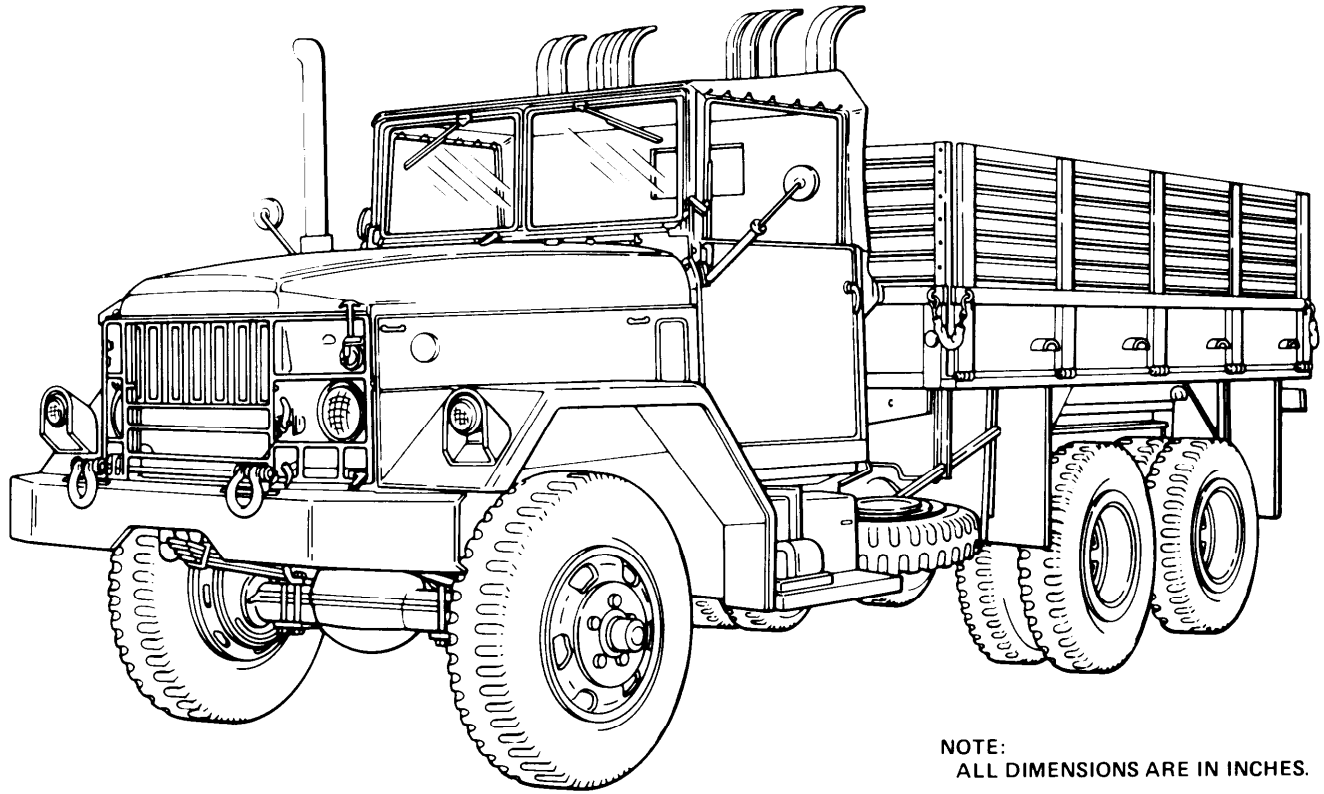
Winch: Yes

SHIPPING DATA

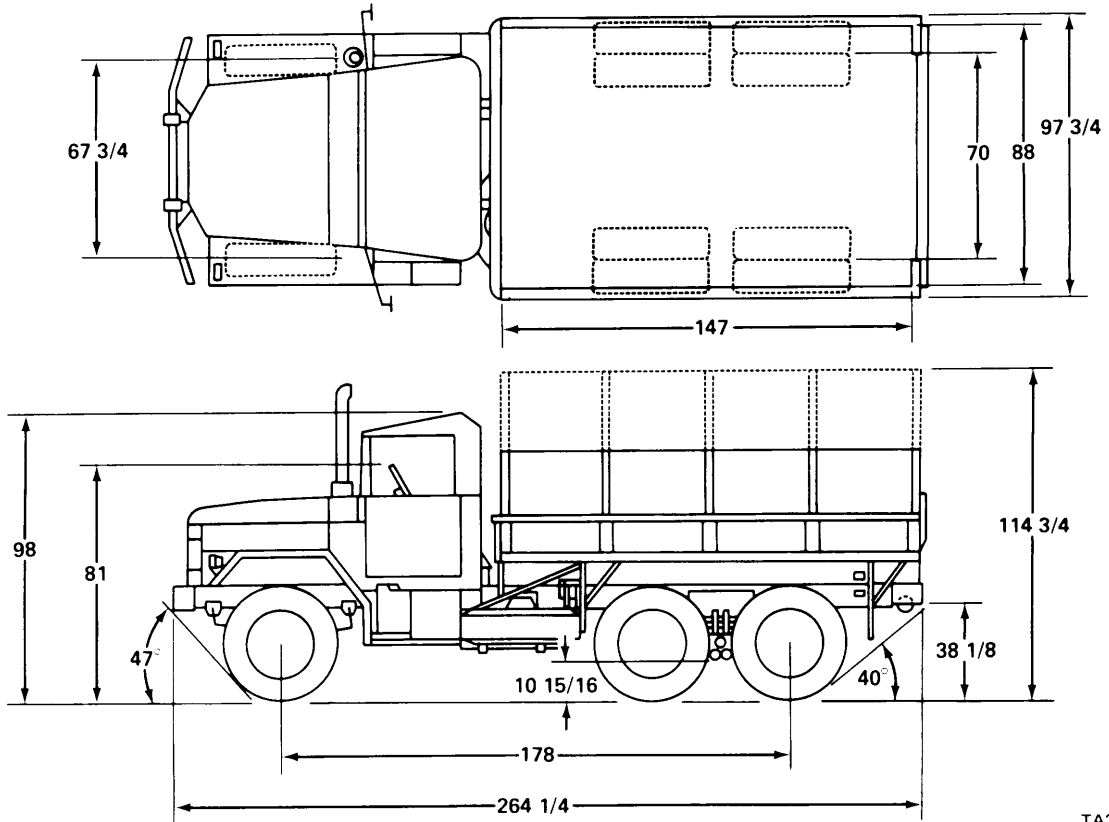
Weight: 13,700 lb

Cube: 1,252 cu ft

Ground Clearance: 10 15/16 in



NOTE:
ALL DIMENSIONS ARE IN INCHES.



TA208630

PURPOSE: This vehicle is employed by various support units primarily for cargo or personnel. It is especially well-suited for forklift cargo handling.

GENERAL INFORMATION

Nomenclature: TRUCK, CARGO: 2 1/2 Ton,
6x6, Drop Side, WO/Winch

Model Number: M35A2C

Crew/Cab Capacity: 2

NSN: 2320-00-926-0873

LIN: X40077

SSN: D131030

TM: 9-2320-209-Series

CHARACTERISTICS

Engine: Multifuel

Horsepower: 140 bhp @ 2,600 rpm

Transmission: Manual; 5 Fwd, 1 Rev

Electrical System: 24 Volt

Tires: 9:00 x 20, 8-ply

Brakes: Air over hydraulic

Blackout Lights: Yes

PERFORMANCE DATA

Fording:

W/Kit: 72 in

WO/Kit: 30 in

Approach Angle: 47 Degrees

Maximum Speed: 58 mph

Range: 350 miles

VEHICLE DATA

Type Classification & Date: Std A, 1970

Replaces: None

Life Expectancy: 15 Years

Payload: 5,000 lb

Towed Load Allowance: 6,000 lb

Air Transportability: Phase II

EQUIPMENT OPTIONS

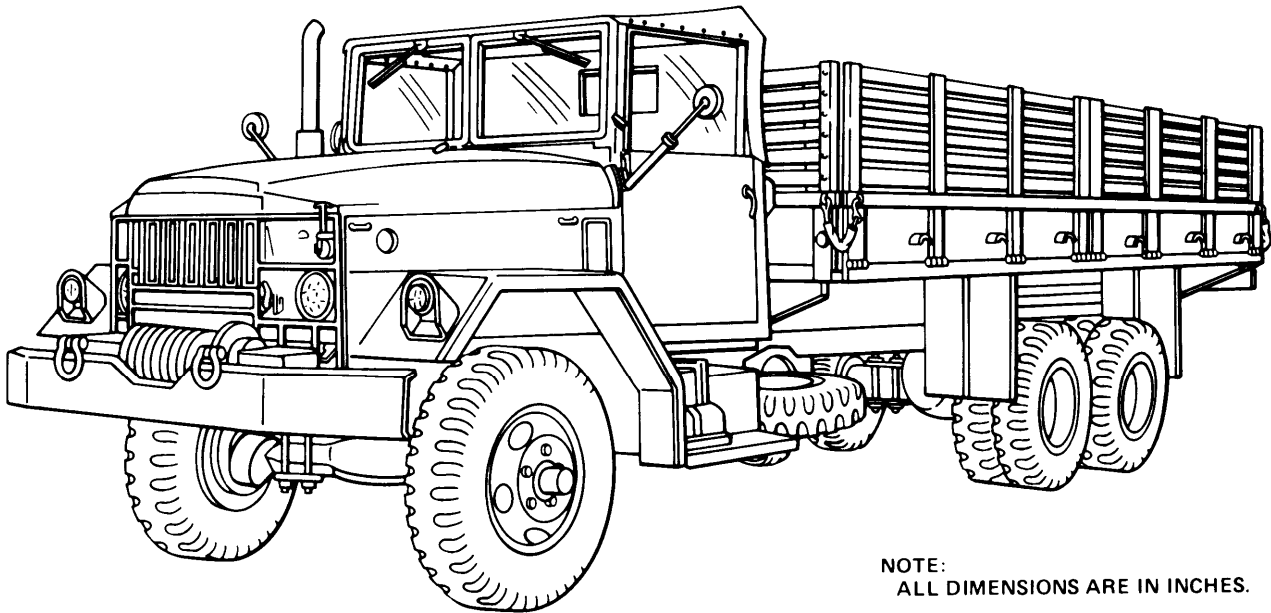
Kits: Personnel Heater, Winterization,
Fording, Electric or Air Brakes,
Troop Seat, Cargo Body Closure (Arctic)

SHIPPING DATA

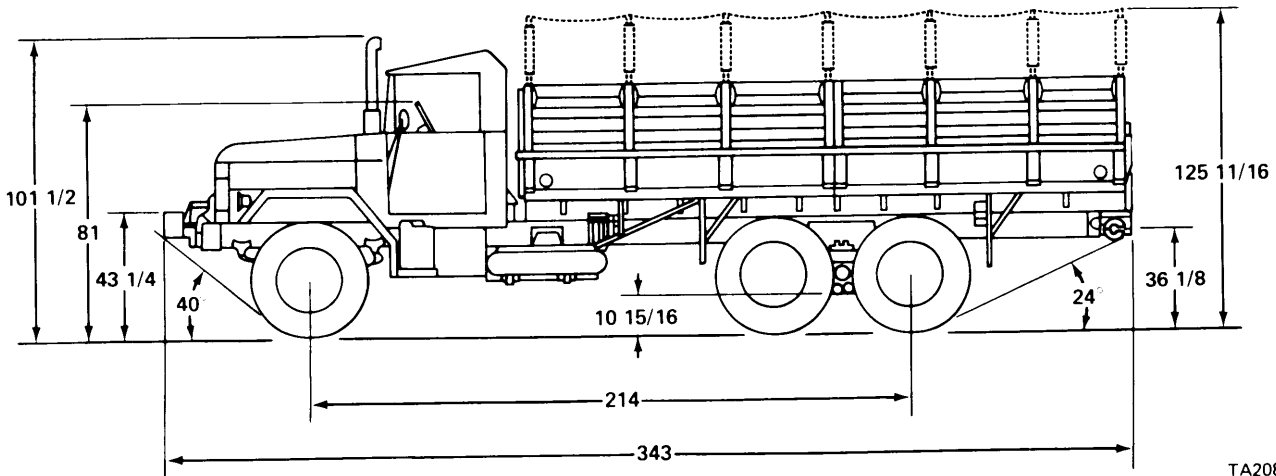
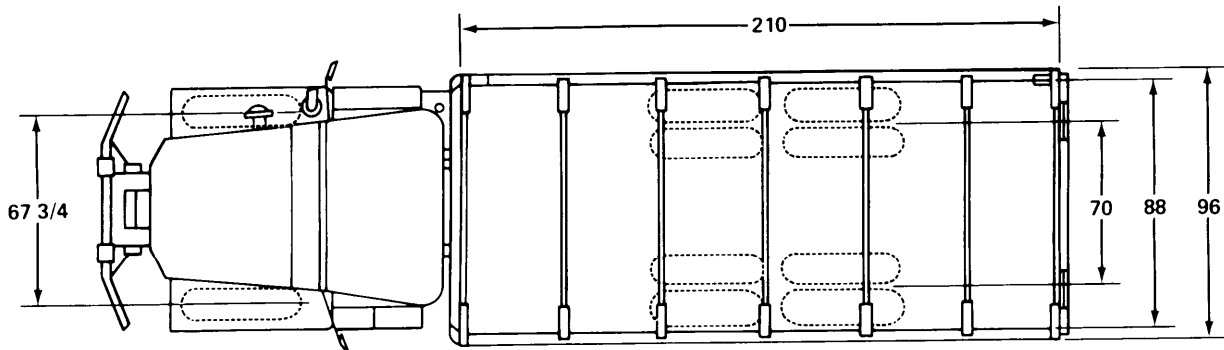
Weight: 13,700 lb

Cube: 1,189 cu ft

Ground Clearance: 10 15/16 in



NOTE:
ALL DIMENSIONS ARE IN INCHES.



TA208641

PURPOSE: To transport general cargo or personnel.

GENERAL INFORMATION

Nomenclature: TRUCK, CARGO: 2 1/2
Ton, 6x6, XLWB, W/Winch

Model Number: M36A2

Crew/Cab Capacity: 2

NSN: 2320-00-077-1619

LIN: X40420

SSN: D131040

TM: 9-2320-209-Series

CHARACTERISTICS

Horsepower: 140 bhp @ 2,600 rpm

Transmission: Manual; 5 Fwd, 1 Rev

Electrical System: 24 Volt

Tires: 9:00 x 20, 8-ply

Brakes: Air over hydraulic

Blackout Lights: Yes

PERFORMANCE DATA

Fording:

W/Kit: 72 in

WO/Kit: 30 in

Approach Angle: 40 Degrees

VEHICLE DATA

Type Classification & Date: Std A, 1963

Replaces: M36

Life Expectancy: 15 Years

Payload: 5,000 lb

Towed Load Allowance 6,000 lb

Air Transportability: Phase II

EQUIPMENT OPTIONS

Kits: Personnel Heater, Winterization,
Fording, Electric or Air Brakes, "A" Frame

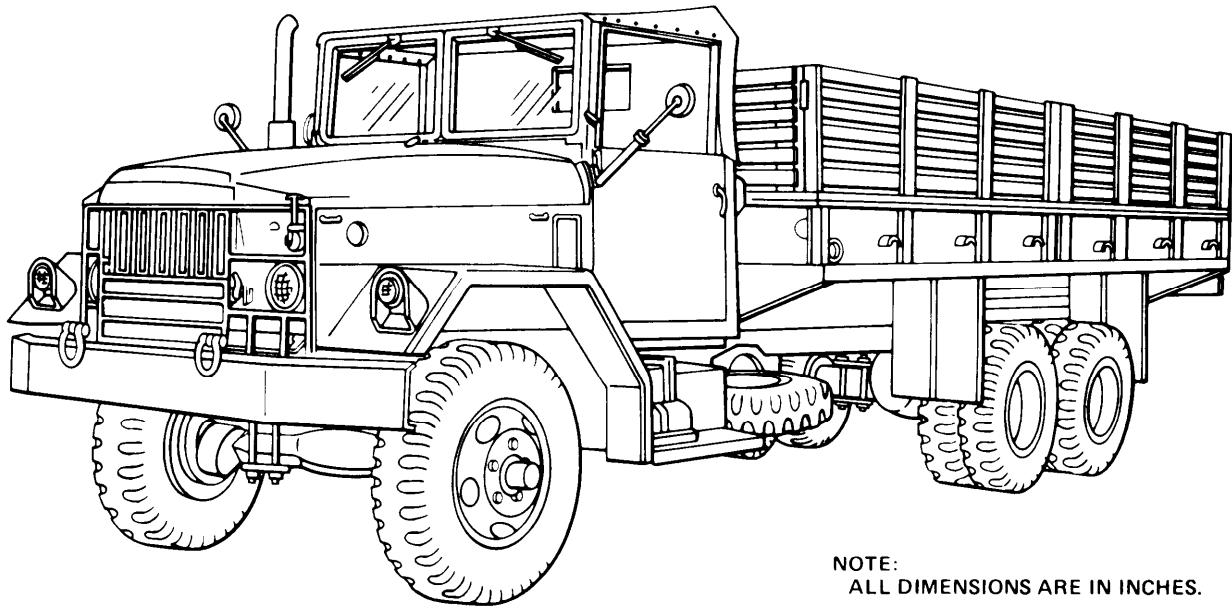
Winch: Yes

SHIPPING DATA

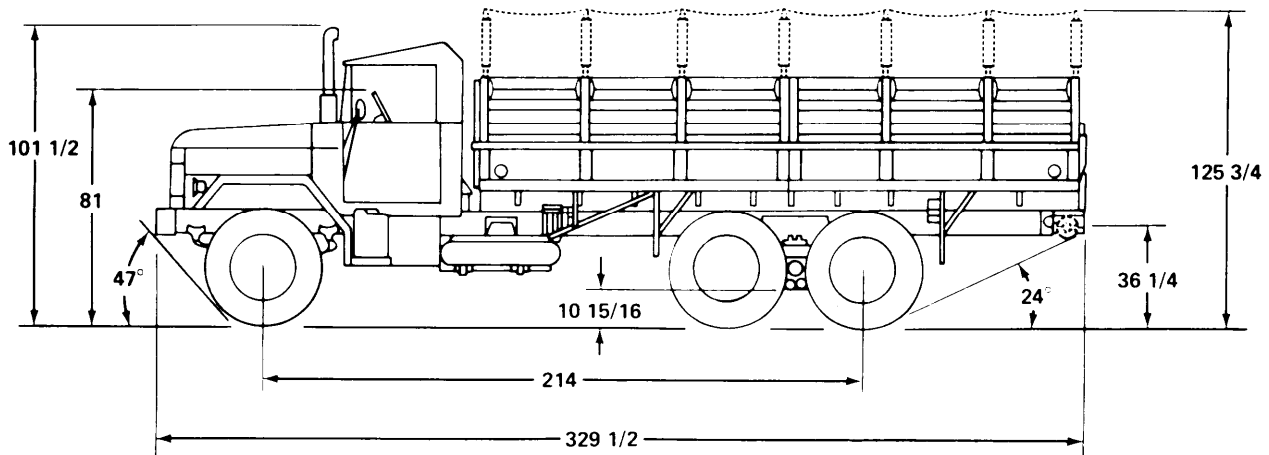
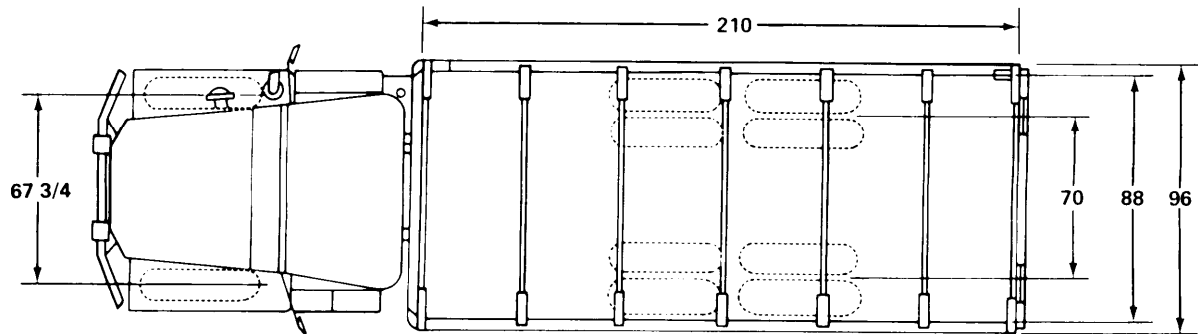
Weight: 15,800 lb

Cube: 1,550 cu ft

Ground Clearance: 10 15/16 in



NOTE:
ALL DIMENSIONS ARE IN INCHES.



TA208751

PURPOSE: Transport general cargo or personnel.

GENERAL INFORMATION

Nomenclature: TRUCK, CARGO: 2 1/2
Ton, 6x6, XLWB, WO/Winch, W/E

Model Number: M36A2

Crew/Cab Capacity: 2

NSN: 2320-00-077-1618

LIN: X40283

SSN: D131040

TM: 9-2320-209-Series

CHARACTERISTICS

Horsepower: 140 bhp @ 2,600 rpm

Transmission: Manual; 5 Fwd, 1 Rev

Electrical System: 24 Volt

Tires: 9:00 x 20, 8-ply

Brakes: Air over hydraulic

Blackout Lights: Yes

PERFORMANCE DATA

Fording:

W/Kit: 72 in

WO/Kit: 30 in

Approach Angle: 47 Degrees

VEHICLE DATA

Type Classification & Date: Std A, 1963

Replaces: M36

Life Expectancy: 15 Years

Payload: 5,000 lb

Towed Load Allowance: 6,000 lb

Air Transportability: Phase II

EQUIPMENT OPTIONS

Kits: Personnel Heater, Winterization,
Fording, Electric or Air Brakes

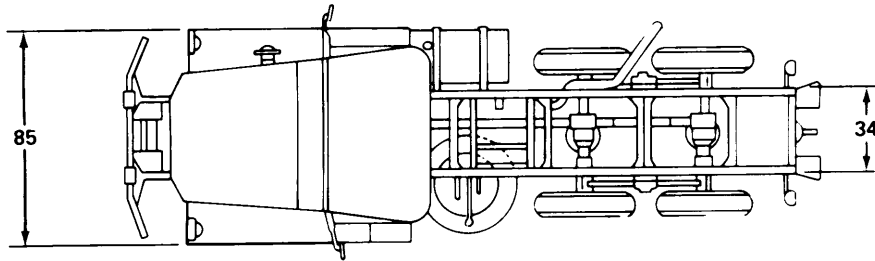
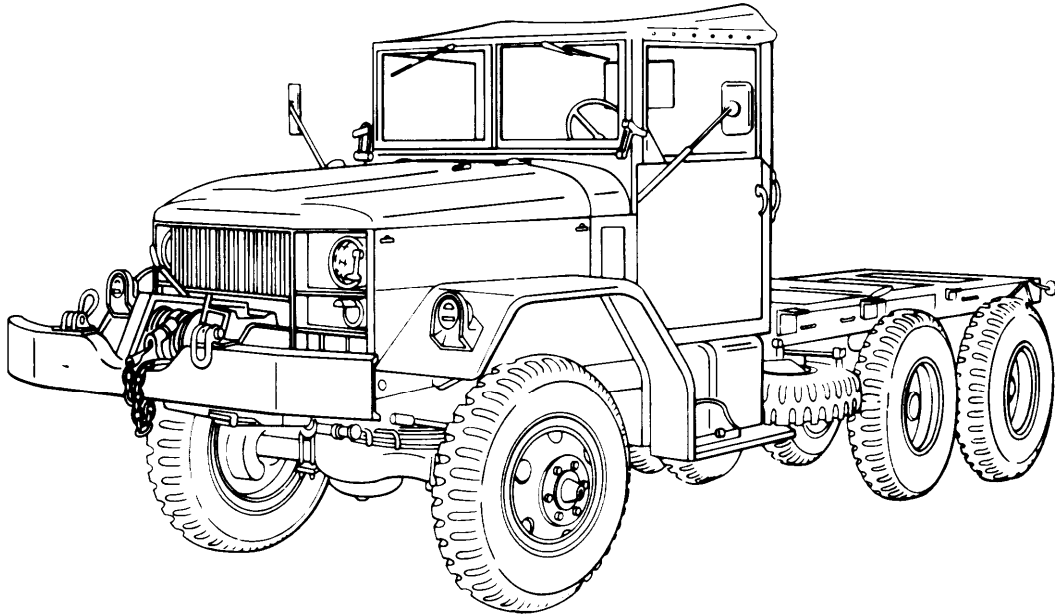
Winch: No

SHIPPING DATA

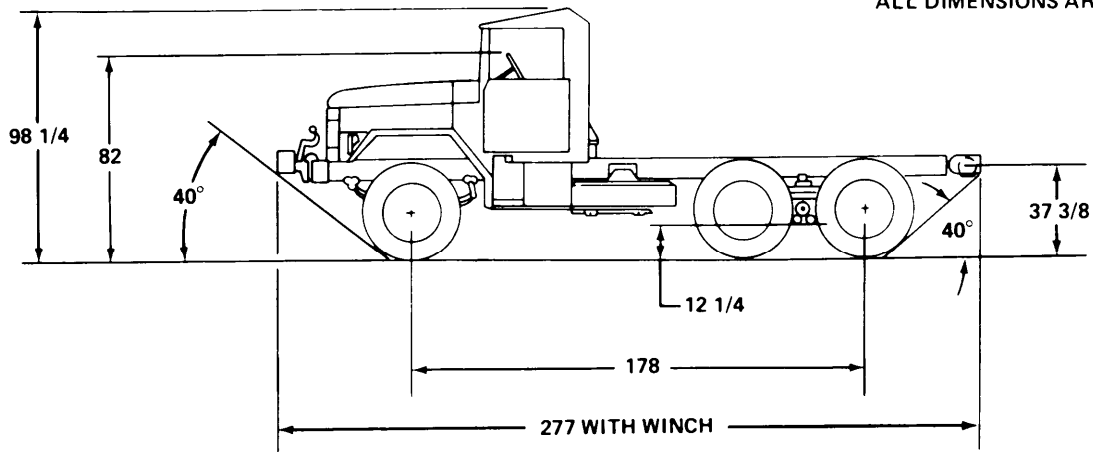
Weight: 15,300 lb

Cube: 1,490 cu ft

Ground Clearance: 10 15/16 in



NOTE:
ALL DIMENSIONS ARE IN INCHES.



TA208874

PURPOSE: For use over all types of roads, highways, and cross-country terrain. Will ford hard-bottom water crossings to a depth of 30 in without the aid of special fording equipment. For mounting optional-type bodies or fifth wheel.

GENERAL INFORMATION

Nomenclature: TRUCK, CHASSIS: 2 1/2
Ton, 6x6, W/Winch, W/E

Model Number: M44A2

Crew/Cab Capacity: 2

NSN: 2320-00-077-1620

LIN: KC0230

SSN: D1311300K00

TM: 9-2320-209-Series

CHARACTERISTICS

Horsepower: Multifuel 140 bhp @ 2,600 rpm

Transmission: Manual; 5 Fwd, 1 Rev

Electrical System: 24 Volt

Tires: 11:00 x 20, 12-ply

Brakes: Air over hydraulic

Blackout Lights: Yes

PERFORMANCE DATA

Fording:

W/Kit: 72 in

WO/Kit: 30 in

Approach Angle: 40 Degrees

VEHICLE DATA

Type Classification & Date: Std R, 1963

Replaces/Replaced By:

Life Expectancy: 15 Years

Payload: 8,000 lb (Includes Body)

Towed Load Allowance: 6,000 lb

Air Transportability: Phase II

EQUIPMENT OPTIONS

Kits: Hot Water Personnel Heater,
Winterization, Deep Water Fording

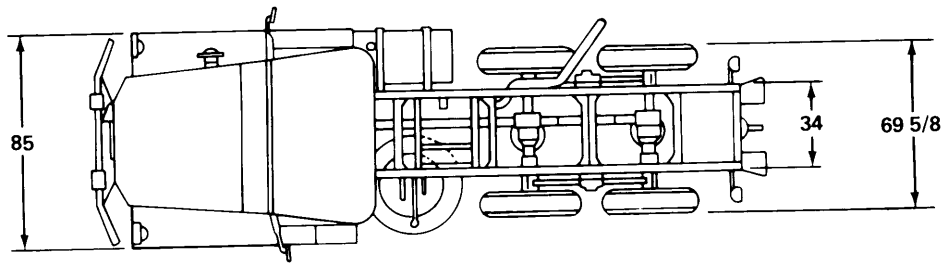
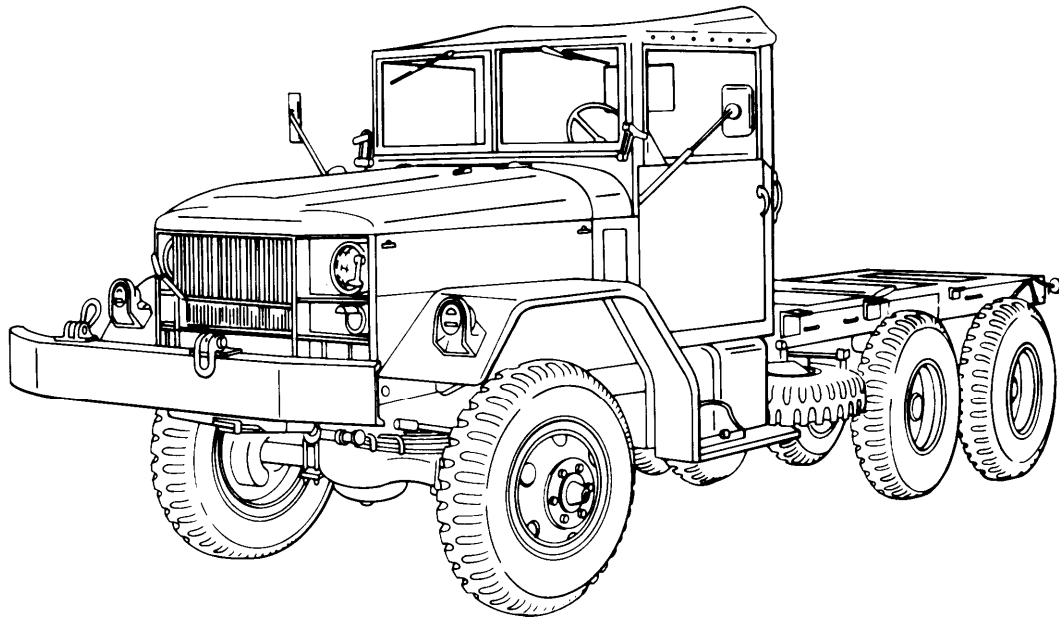
Winch: Yes

SHIPPING DATA

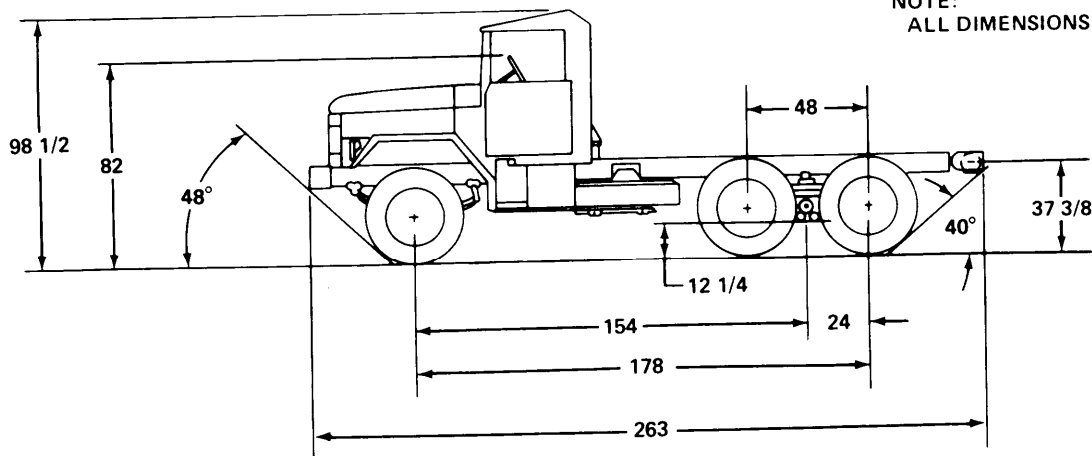
Weight: 11,344 lb

Cube: 1,118 cu ft

Ground Clearance: 12 1/4 in



NOTE:
ALL DIMENSIONS ARE IN INCHES.



TA208875

PURPOSE: For use over all types of roads, highways, and cross-country terrain. Will ford hard-bottom water crossings to a depth of 30 in. without the aid of special fording equipment. For mounting optional-type bodies or fifth wheel.

GENERAL INFORMATION

Nomenclature: TRUCK, CHASSIS: 2 1/2 Ton, 6x6, WO/Winch, W/E
 Model Number: M44A2
 Crew/Cab Capacity: 2
 NSN: 2320-00-077-1621
 LIN: KC0240
 SSN: D1311310K00
 TM: 9-2320-209-Series

VEHICLE DATA

Type Classification & Date: Std R, 1963
 Replaces/Replaced By:
 Life Expectancy: 15 years
 Payload: 8,000 lb (Includes Body)
 Towed Load Allowance: 6,000 lb
 Air Transportability: Phase I

CHARACTERISTICS

Horsepower: 140 bhp @ 2,600 rpm
 Transmission: Manual; 5 Fwd, 1 Rev
 Electrical System: 24 Volt
 Tires: 11:00 x 20, 12-ply
 Brakes: Air over hydraulic
 Blackout Lights: Yes

EQUIPMENT OPTIONS

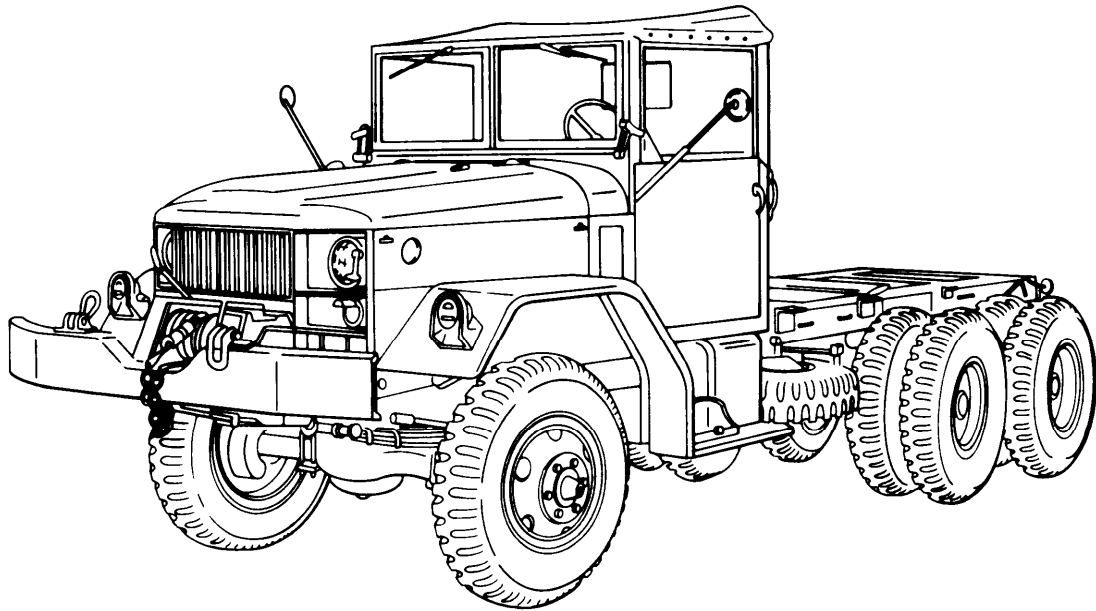
Kits: Hot Water Personnel Heater, Winterization, Deep Water Fording
 Winch: No

PERFORMANCE DATA .

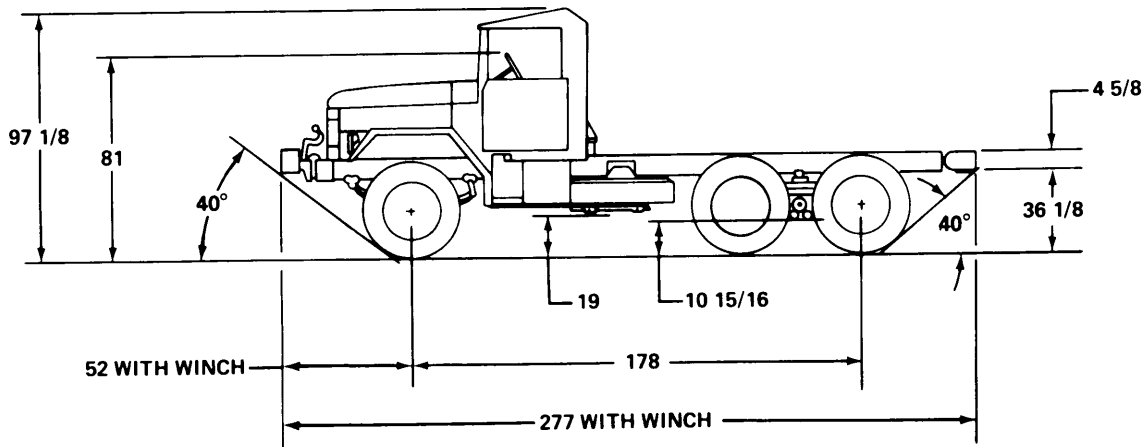
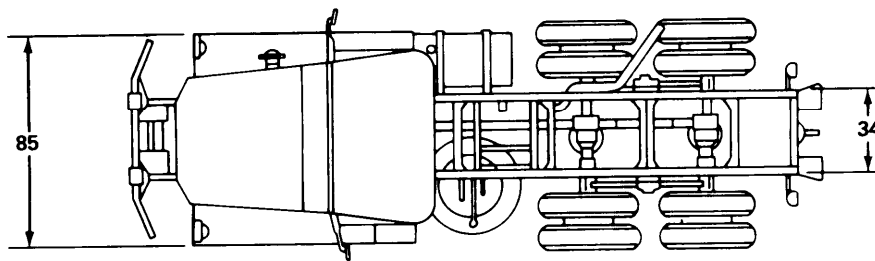
Fording:
 W/Kit: 72 in
 WO/Kit: 30 in
 Approach Angle: 48 Degrees

SHIPPING DATA

Weight: 10,844 lb
 Cube: 1,061 cu ft
 Ground Clearance: 12114 in



NOTE:
ALL DIMENSIONS ARE IN INCHES.



TA208905

PURPOSE:**GENERAL INFORMATION**

Nomenclature: TRUCK, CHASSIS:
2 1/2 Ton, 6x6, W/Winch, W/E

Model Number: M45A2

Crew/Cab Capacity: 2

NSN: 2320-00-077-1623

LIN: KC0250

SSN: D1311400K00

TM: 9-2320-209-20

CHARACTERISTICS

Horsepower: 140 bhp @ 2,600 rpm

Transmission: 6-speed, 5 fwd, 1 rev

Electrical System: 24 Volt

Tires: 9:00 x 20, 8-ply

Brakes: Air over hydraulic

Blackout Lights: Yes

PERFORMANCE DATA

Fording:

W/Kit: 72 in

WO/Kit: 30 in

Approach Angle: 40 Degrees

VEHICLE DATA

Type Classification & Date: Std R, 1963

Replaces: M45

Life Expectancy: 15 years

Payload: 8,000 lb (Includes Body)

Towed Load Allowance: 6,000 lb

Air Transportability:

EQUIPMENT OPTIONS

Kits:

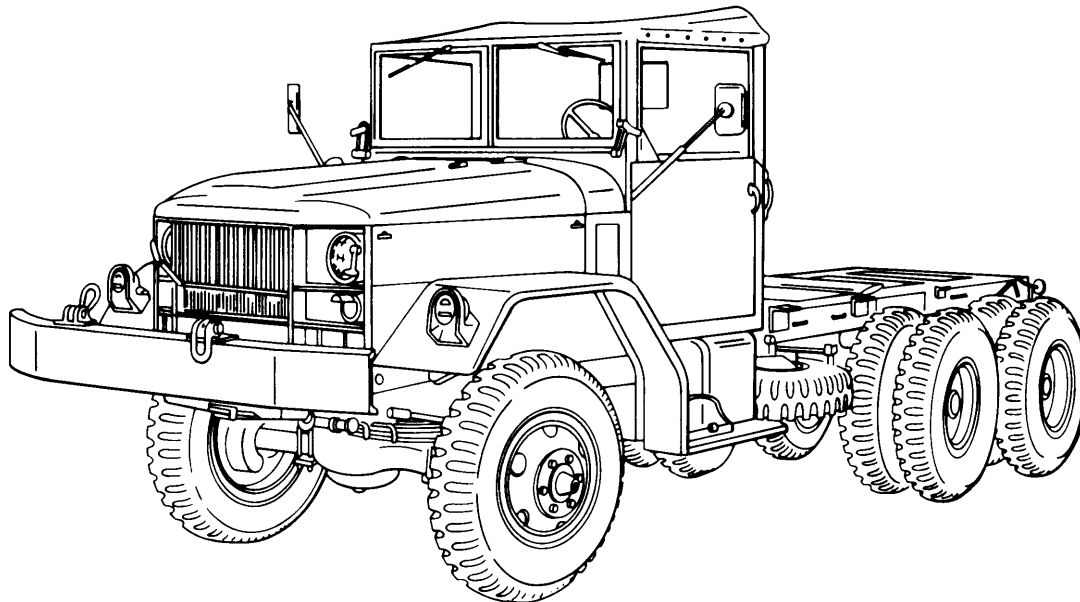
Winch: Yes

SHIPPING DATA

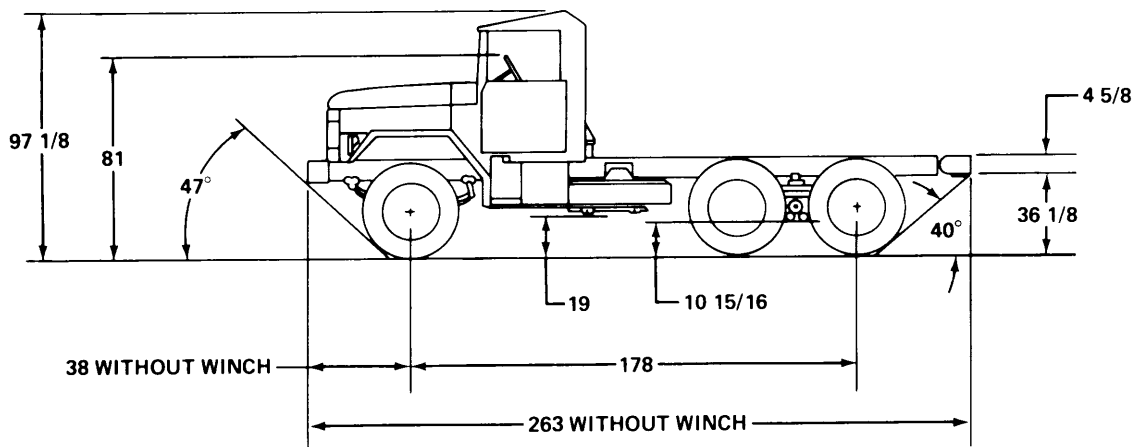
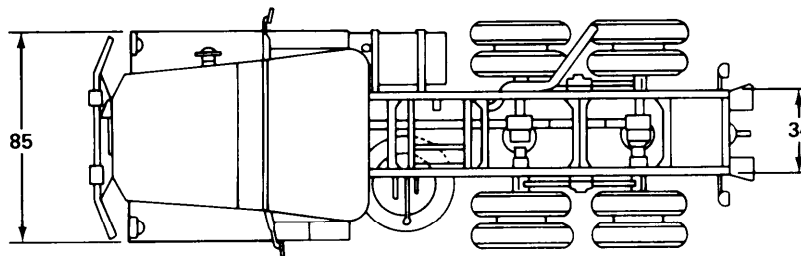
Weight: 11,850 lb

Cube: 1,208 cu ft

Ground Clearance: 10 15/16 in



NOTE:
ALL DIMENSIONS ARE IN INCHES.



TA208904

PURPOSE:**GENERAL INFORMATION**

Nomenclature: TRUCK, CHASSIS:
2 1/2 Ton, 6x6, WO/Winch, W/E

Model Number: M45A2

Crew/Cab Capacity: 2

NSN: 2320-00-077-1622

LIN: KC0250

SSN: D1311400K00

TM: 9-2320-209-20

CHARACTERISTICS

Horsepower: 140 bhp @ 2,600 rpm

Transmission: 6-speed, 5 fwd, 1 rev

Electrical System: 24 Volt

Tires: 9:00 x 20, 8-ply

Brakes: Air over hydraulic

Blackout Lights: Yes

PERFORMANCE DATA

Fording:

W/Kit: 72 in

WO/Kit: 30 in

Approach Angle: 47 Degrees

VEHICLE DATA

Type Classification & Date: Std R, 1963

Replaces: M45

Life Expectancy: 15 years

Payload: 8,000 lb (Includes Body)

Towed Load Allowance: 6,000 lb

Air Transportability:

EQUIPMENT OPTIONS

Kits: Winterization, Deep Water
Fording, Hot Water Heater

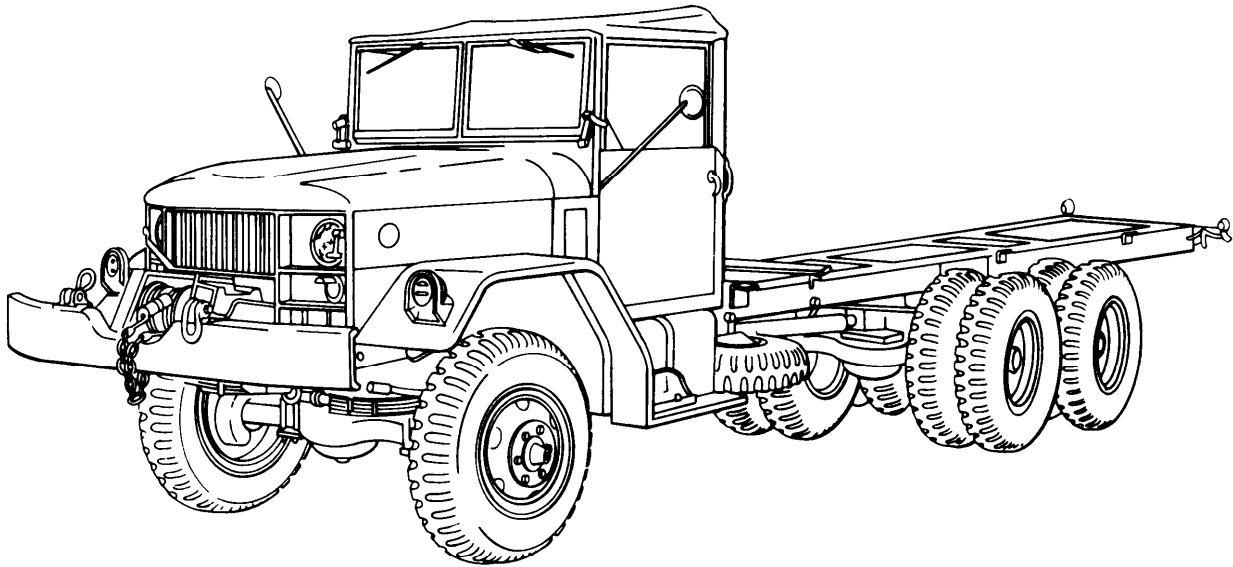
Winch: No

SHIPPING DATA

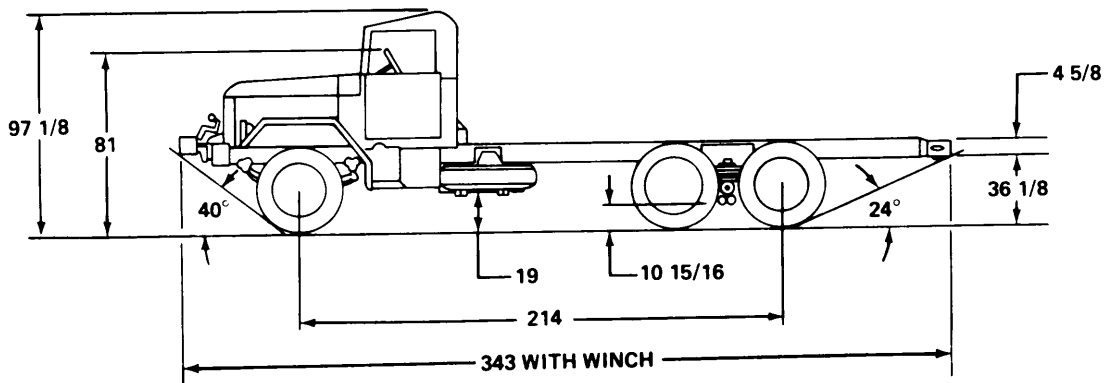
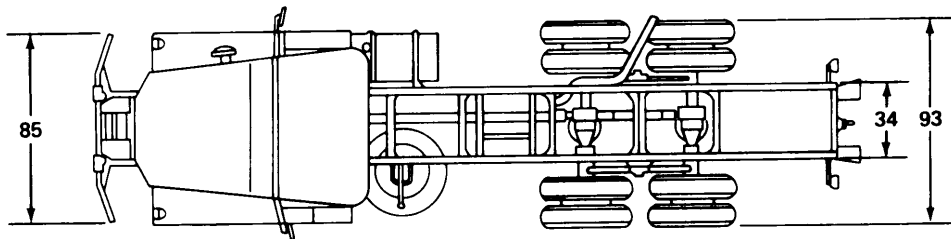
Weight: 11,350 lbs

Cube: 1,147 cu ft

Ground Clearance: 10 15/16



NOTE:
ALL DIMENSIONS ARE IN INCHES.



TA208907

PURPOSE:**GENERAL INFORMATION**

Nomenclature: TRUCK, CHASSIS: 2 1/2
Ton, 6x6, W/Winch, W/E

Model Number: M46A2C

Crew/Cab Capacity: 2

NSN: 2320-00-077-1630

LIN: KC0290

SSN: D1311530K00

TM: 9-2320-209-Series

CHARACTERISTICS

Horsepower: 140 bhp @ 2,600 rpm

Transmission: 6 Speed; 5 Fwd, 1 Rev

Electrical System: 24 Volt

Tires: 9:00 x 20, 8-ply

Brakes: Air over hydraulic

Blackout Lights: Yes

PERFORMANCE DATA

Fording:

W/Kit: 72 in

WO/Kit: 30 in

Approach Angle: 40 Degrees

VEHICLE DATA

Type Classification & Date: Std R, 1963

Replaces/Replaced By: M46C

Payload: 8,000 lb (Includes Body)

Towed Load Allowance: 6,000 lb

Air Transportability:

EQUIPMENT OPTIONS

Kits: Winterization, Deep Water
Fording, Hot Water Heater

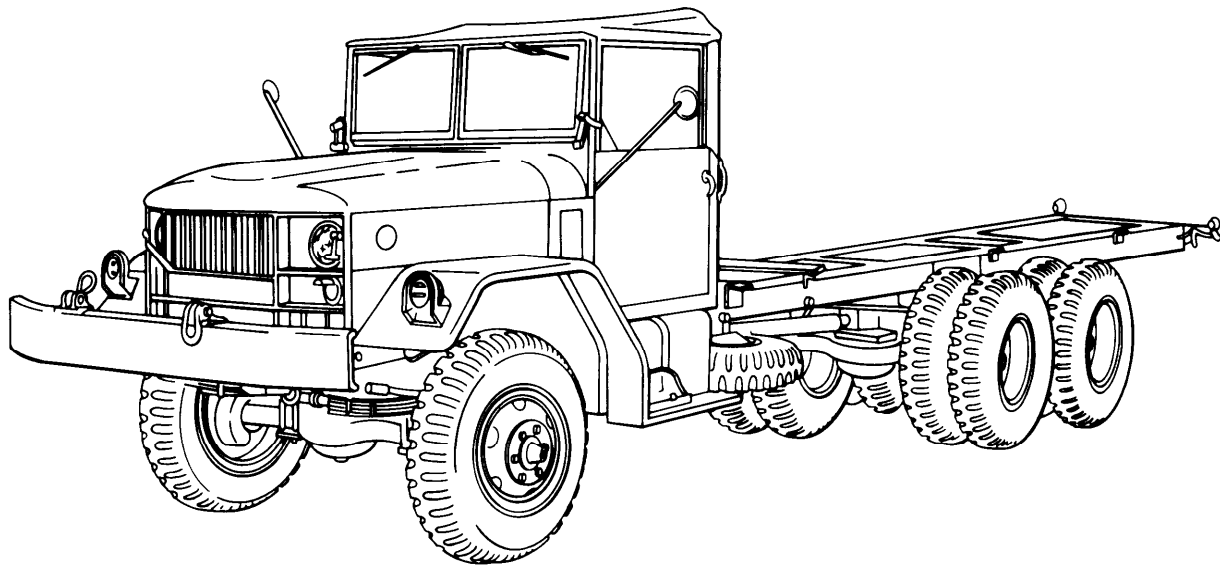
Winch: Yes

SHIPPING DATA

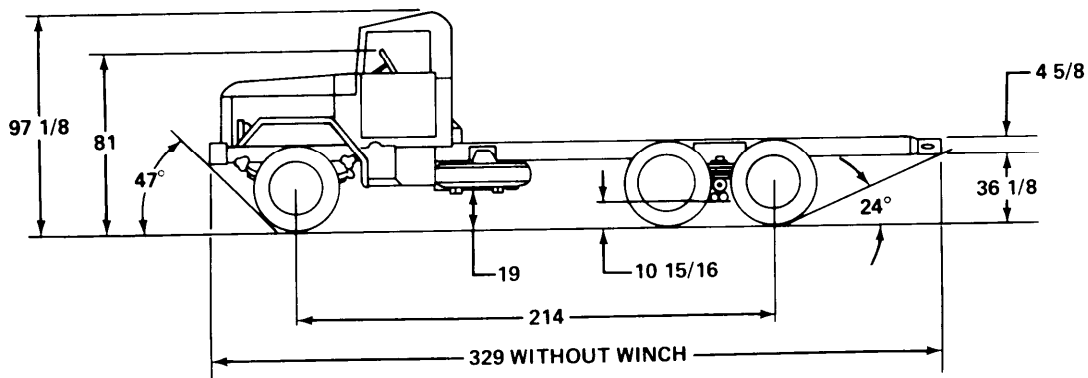
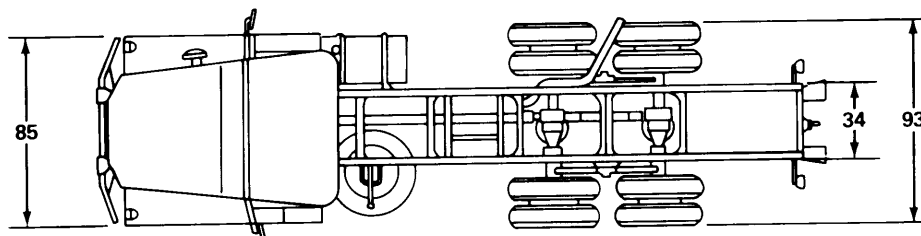
Weight: 12,300 lb

Cube: 1,500 cu ft

Ground Clearance: 10 15/16 in



NOTE:
ALL DIMENSIONS ARE IN INCHES.



TA208906

PURPOSE:**GENERAL INFORMATION**

Nomenclature: TRUCK, CHASSIS:
2 1/2 Ton, 6x6, WO/Winch, W/E

Model Number: M46A2C

Crew/Cab Capacity: 2

NSN: 2320-00-077-1629

LIN: KC0280

SSN: D1311520K00

TM: 9-2320-209-Series

CHARACTERISTICS

Horsepower: 140 bhp @ 2,600 rpm

Transmission: 6 Speed; 5 Fwd, 1 Rev

Electrical System: 24 Volt

Tires: 9:00 x 20, 8-ply

Brakes: Air over hydraulic

Blackout Lights: Yes

PERFORMANCE DATA

Fording:

W/Kit: 72 in

WO/Kit: 30 in

Approach Angle: 47 Degrees

VEHICLE DATA

Type Classification & Date: Std R, 1963

Replaces/Replaced By: M46C

Life Expectancy: 15 Years

Payload: 8,000 lb (Includes Body)

Towed Load Allowance: 6,000 lb

Air Transportability: Yes

EQUIPMENT OPTIONS

Kits: Winterization, Deep Water
Fording, Hot Water Heater

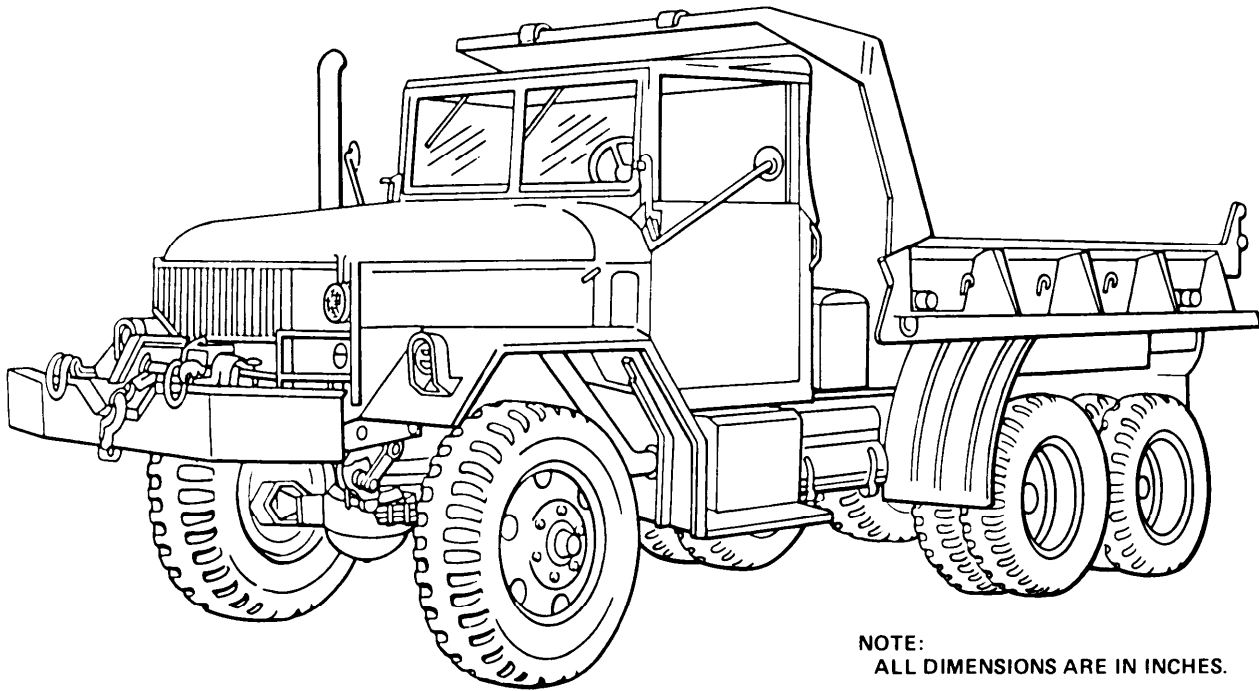
Winch: No

SHIPPING DATA

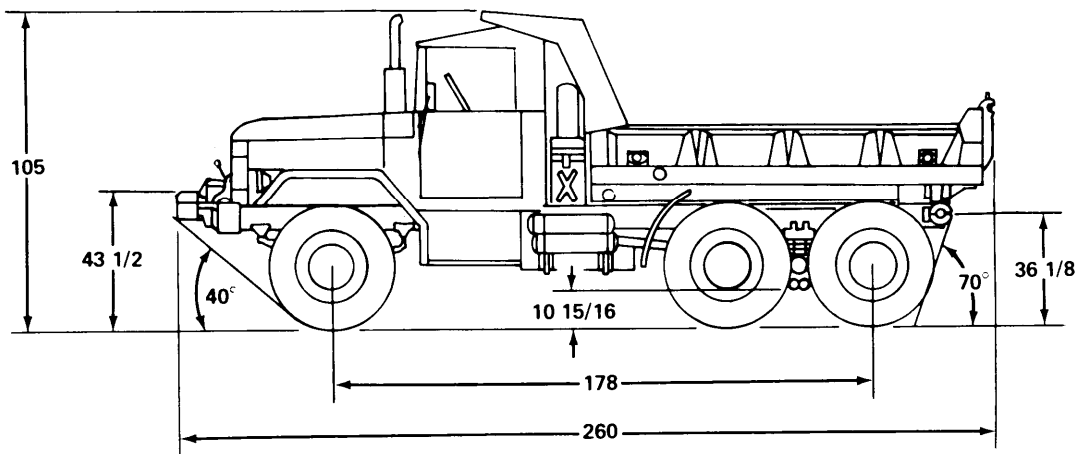
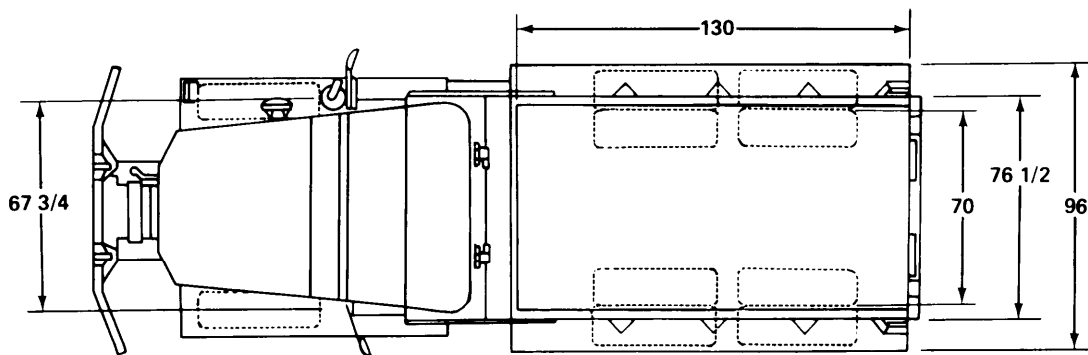
Weight: 11,800 lb

Cube: 1,440 cu ft

Ground Clearance: 10 15/16 in



NOTE:
ALL DIMENSIONS ARE IN INCHES.



TA208701

PURPOSE: Transport and dump earth, sand, gravel, coal, etc. Can also be used for general cargo.

GENERAL INFORMATION

Nomenclature: TRUCK, DUMP: 2 1/2
Ton, 6x6, W/Winch

Model Number: M342A2

Crew/Cab Capacity: 2

NSN: 2320-00-077-1644

LIN: X43434

SSN: D131050

TM: 9-2320-209-Series

CHARACTERISTICS

Horsepower: 140 bhp @ 2,600 rpm

Transmission: Manual; 5 Fwd, 1 Rev

Electrical System: 24 Volt

Tires: 9:00 x 20, 8-ply

Brakes: Air over hydraulic

Blackout Lights: Yes

PERFORMANCE DATA

Fording:

W/Kit: 72 in

WO/Kit: 30 in

Approach Angle: 40 Degrees

Maximum Speed: 45 mph

Range: 320 miles

VEHICLE DATA

Type Classification & Date: Std A, 1963

Replaces: M47, M59, M215

Life Expectancy: 15 Years

Payload: 5,000 lb

Towed Load Allowance: 10,000 lb

Air Transportability: Phase II

EQUIPMENT OPTIONS

Kits: Personnel Heater, Winterization,
Fording, Side Mounted Troop Seats
and Cover, Electric or Air Brakes

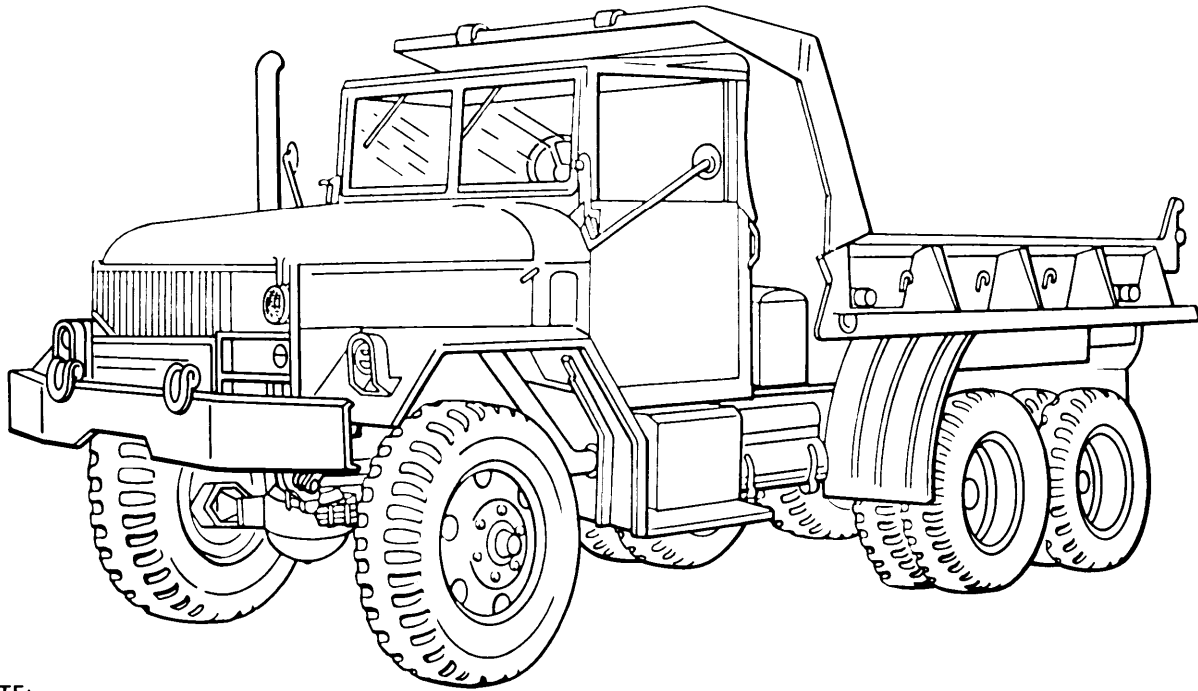
Winch: Yes

SHIPPING DATA

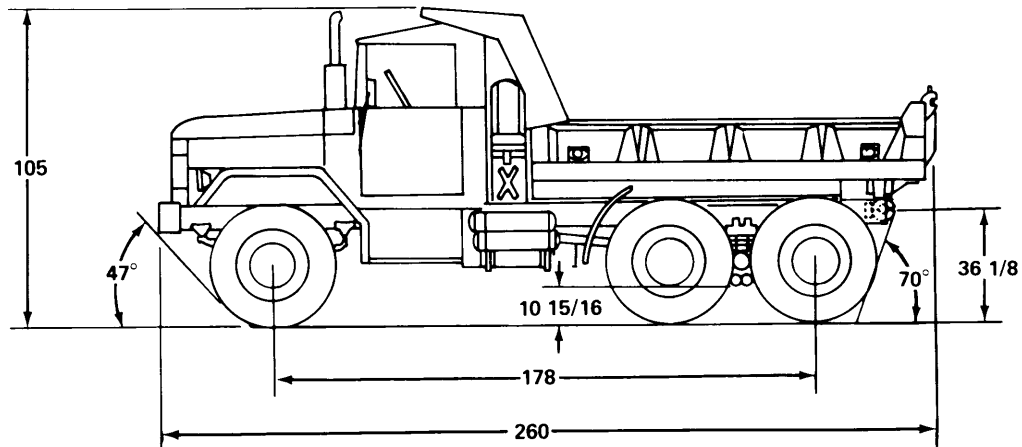
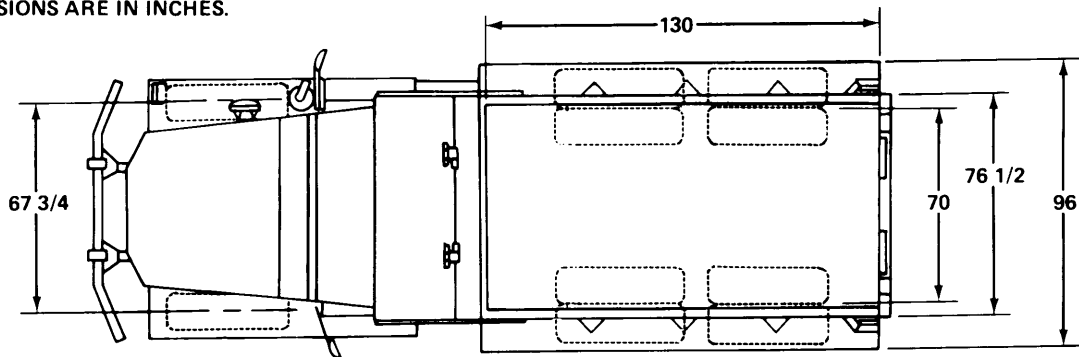
Weight: 15,500 lb

Cube: 1,240 cu ft

Ground Clearance: 10 15/16 in



NOTE:
ALL DIMENSIONS ARE IN INCHES.



TA208557

PURPOSE: Transport and dump earth, sand, gravel, coal, etc. Can also be used for general cargo.

GENERAL INFORMATION

Nomenclature: TRUCK, DUMP: 2 1/2
Ton, 6x6, WO/Winch, W/E

Model Number: M342A2

Crew/Cab Capacity: 2

NSN: 2320-00-077-1643

LIN: X43297

SSN: D131050

TM: 9-2320-209 Series

VEHICLE DATA

Type Classification & Date: Std A, 1963

Replaces: M47, M59, M215

Life Expectancy: 15 Years

Payload: 5,000 lb

Towed Load Allowance: 6,000 lb

Air Transportability: Phase II

CHARACTERISTICS

Horsepower: 140 bhp @ 2,600 rpm

Transmission: Manual; 5 Fwd, 1 Rev

Electrical System: 24 Volt

Tires: 9:00 x 20, 8-ply

Brakes: Air over hydraulic

Blackout Lights: Yes

EQUIPMENT OPTIONS

Kits: Personnel Heater, Winterization,
Fording, Side Mounted Troop Seats
and Cover, Electric or Air Brakes

Winch: No

PERFORMANCE DATA

Fording:

W/Kit: 72 in

WO/Kit: 30 in

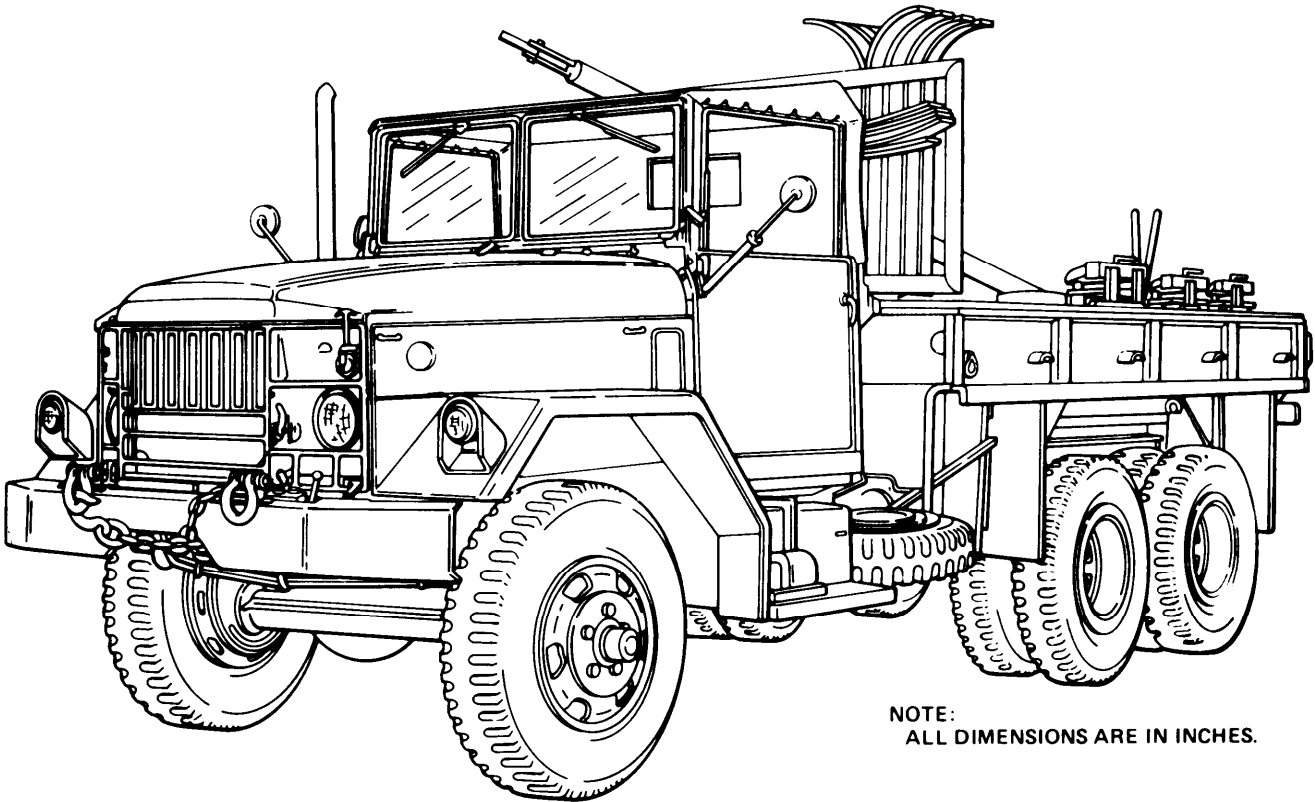
Approach Angle: 47 Degrees

SHIPPING DATA

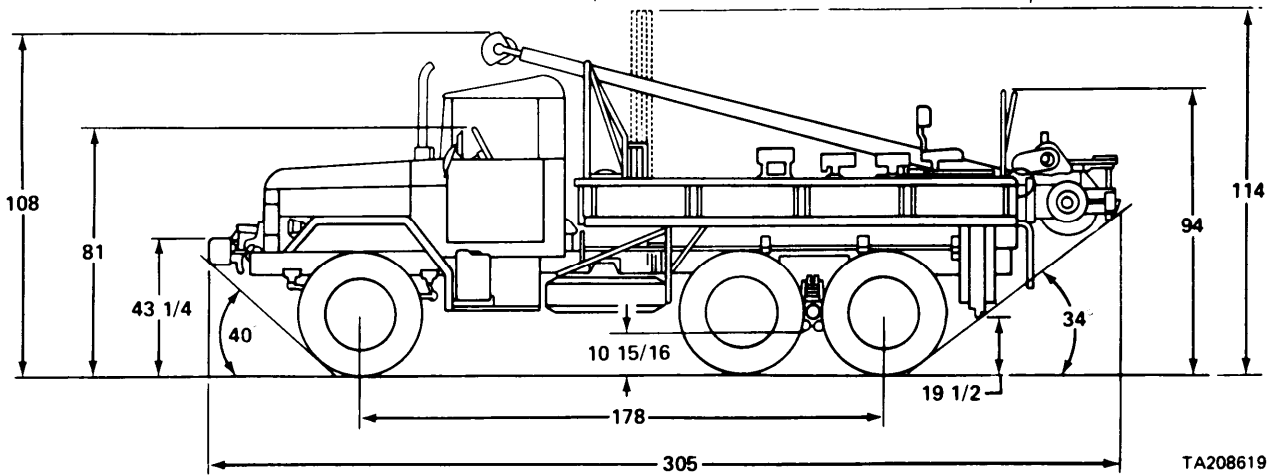
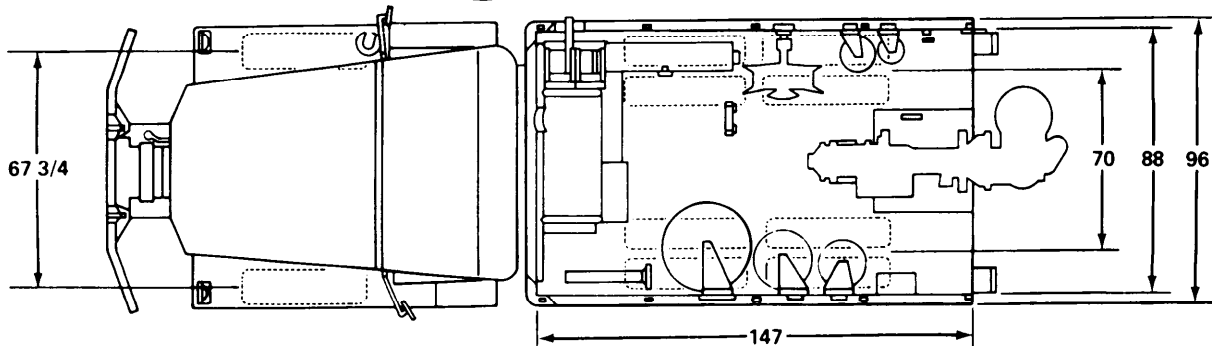
Weight: 15,000 lb

Cube: 1,170 cu ft

Ground Clearance: 10 15/16 in



NOTE:
ALL DIMENSIONS ARE IN INCHES.



TA208619

PURPOSE: Set and pull poles. Lay wire and light cable.

GENERAL INFORMATION

Nomenclature: TRUCK, MAINTENANCE:
2 1/2 Ton, 6x6, Earth Boring Machine and
Pole Setter, W/Winch

Model Number: M764

Crew/Cab Capacity: 2

NSN: 2320-00-937-5980

LIN: X53983

SSN: D131080

TM: 9-2320-209-Series

CHARACTERISTICS

Horsepower: 140 bhp @ 2,600 rpm

Transmission: Manual; 5 Fwd, 1 Rev

Electrical System: 24 Volt

Tires: 9:00 x 20, 8-ply

Brakes: Air over hydraulic

Blackout Lights: Yes

PERFORMANCE DATA

Fording:

W/Kit: 72 in

WO/Kit: 30 in

Approach Angle: 40 Degrees

VEHICLE DATA

Type Classification & Date: Std A, 1969

Replaces/Replaced By:

Life Expectancy: 15 Years

Payload: 500 lb

Towed Load Allowance: Does Not Have
Pintle

Air Transportability: Phase II

EQUIPMENT OPTIONS

Kits: Fording, Winterization, Per-
sonnel Heater, Electric or Air Brakes,
"A" Frame

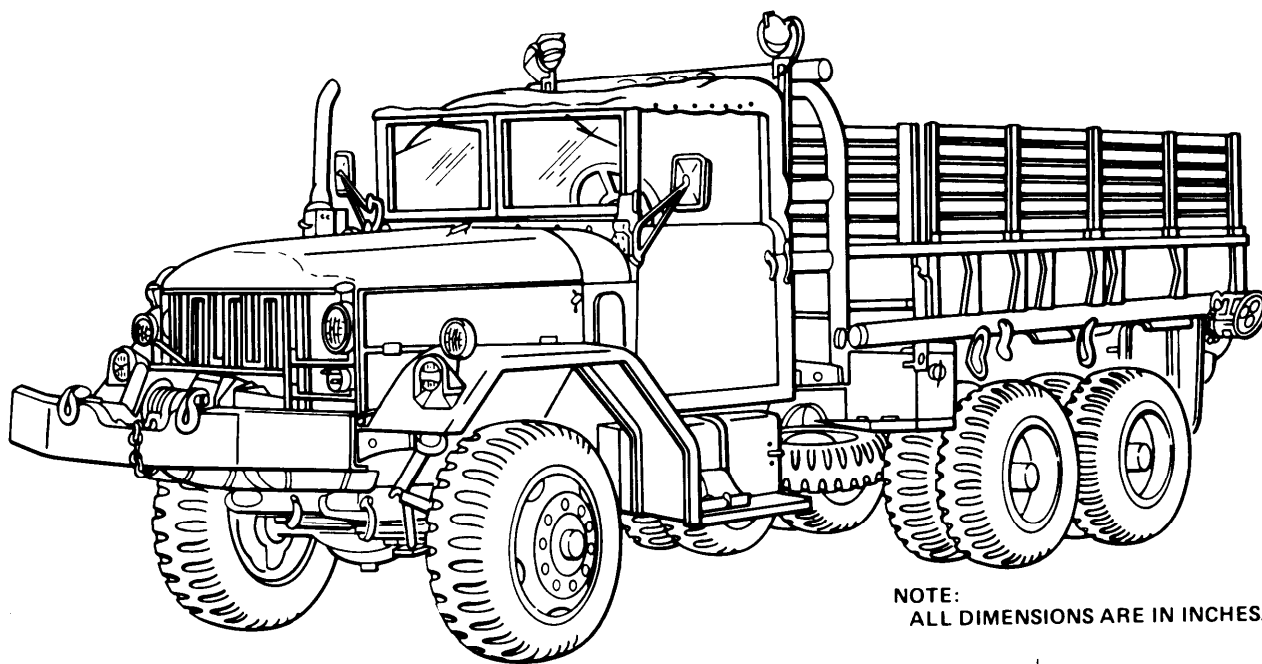
Winch: Yes

SHIPPING DATA

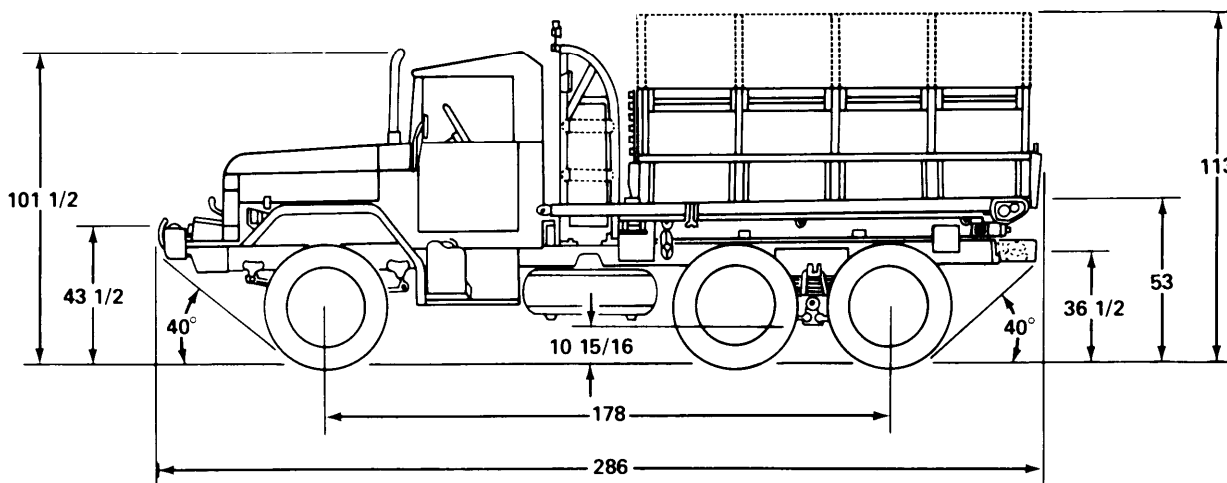
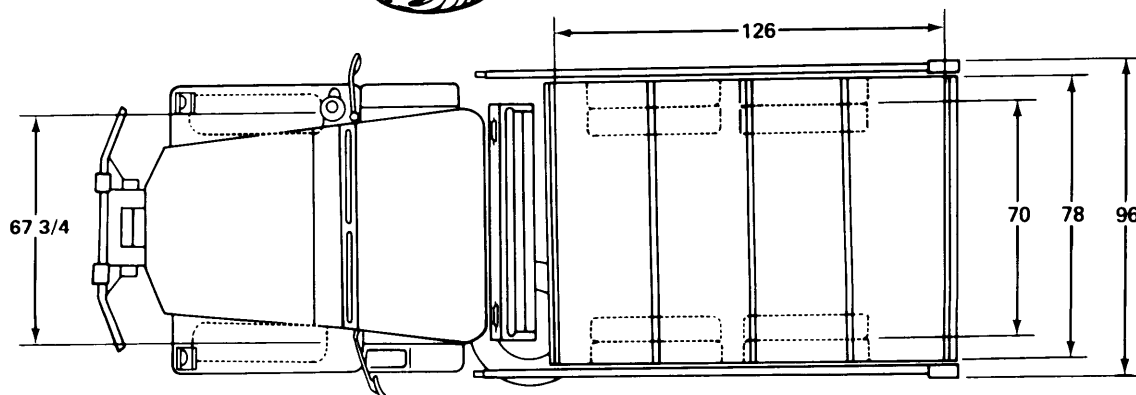
Weight: 20,600 lb

Cube: 1,595 cu ft

Ground Clearance: 11 in



NOTE:
ALL DIMENSIONS ARE IN INCHES.



TA208673

PURPOSE: For use on all types of roads, highways, and cross-country terrain. Truck is equipped with a rear winch, a winch and cab protector, two gin poles for constructing an A-Frame, two 24 v floodlights, a tailboard roller, a custom made tool box, and stiff leg jacks for additional support.

GENERAL INFORMATION

Nomenclature: TRUCK, MAINTENANCE:
2 1/2 Ton, 6x6, Pipeline Construction,
W/Winch

Model Number: M756A2

Crew/Cab Capacity: 2

NSN: 2320-00-904-3277

LIN: X55216

SSN: D131060

TM: 9-2320-209-Series

CHARACTERISTICS

Horsepower: 140 bhp @ 2,600 rpm

Transmission: Manual; 5 Fwd, 1 Rev

Electrical System: 24 Volt

Tires: 9:00 x 20, 8-ply

Brakes: Air over hydraulic

Blackout Lights: Yes

PERFORMANCE DATA

Fording:

W/Kit: 72 in

WO/Kit: 30 in

Approach Angle: 40 Degrees

VEHICLE DATA

Type Classification & Date: Std A, 1968

Replaces/Replaced By:

Life Expectancy: 20 Years

Payload: 5,000 lb

Towed Load Allowance: 6,000 lb

Air Transportability: Phase II

EQUIPMENT OPTIONS

Kits: Fording, Winterization, Personnel Heater, Electric Brake

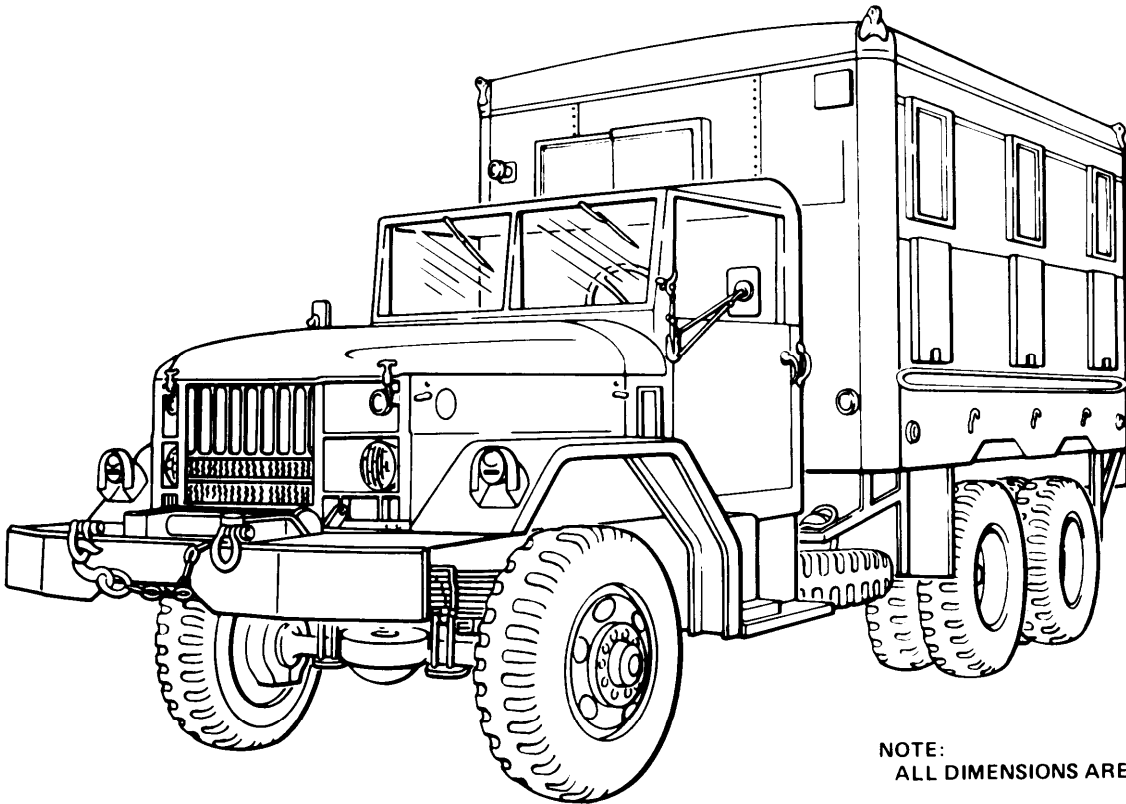
Winch: Yes

SHIPPING DATA

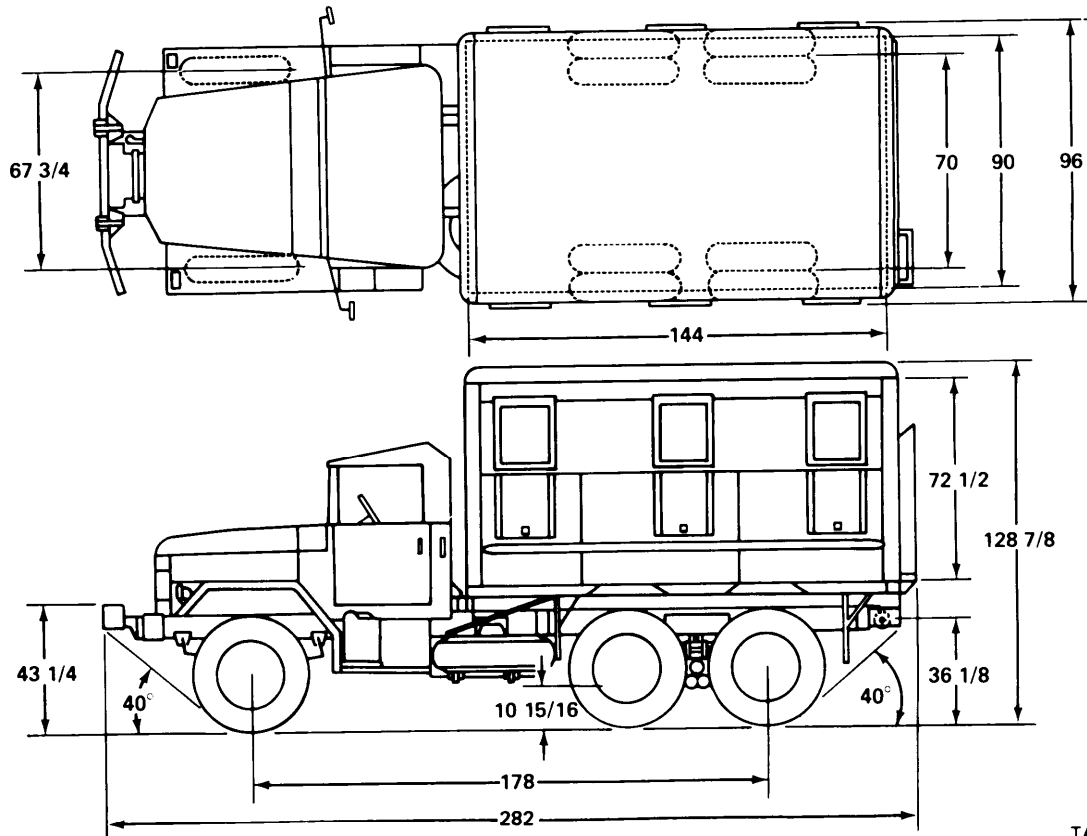
Weight: 17,000 lb

Cube: 1,720 cu ft

Ground Clearance: 11 in



NOTE:
ALL DIMENSIONS ARE IN INCHES.



TA208632

PURPOSE: Mobile maintenance facility.

GENERAL INFORMATION

Nomenclature: TRUCK,VAN: 2 1/2 Ton,
6x6, Shop,W/Winch

Model Number: M109A3

Crew/Cab Capacity: 2

NSN: 2320-00-077-1637

LIN: X62477

SSN: D131120

TM: 9-2320-209-Series

CHARACTERISTICS

Horsepower: 140 bhp @ 2,600 rpm

Transmission: Manual; 5 Fwd, 1 Rev

Electrical System: 24 Volt

Tires: 9:00 x 20, 8-ply

Brakes: Air over hydraulic

Blackout Lights: Yes

PERFORMANCE DATA

Fording:

W/Kit: 72 in

WO/Kit: 30 in

Approach Angle: 40 Degrees

VEHICLE DATA

Type Classification & Date: Std A, 1964

Replaces: M109, M109A2, M109A1

Life Expectancy: 15 Years

Payload: 5,000 lb

Towed Load Allowance: 6,000 lb

Air Transportability: Phase iii

EQUIPMENT OPTIONS

Kits: Personnel Heater, Vent Body
Heater, Winterization, Fording,
Electric or Air Brakes

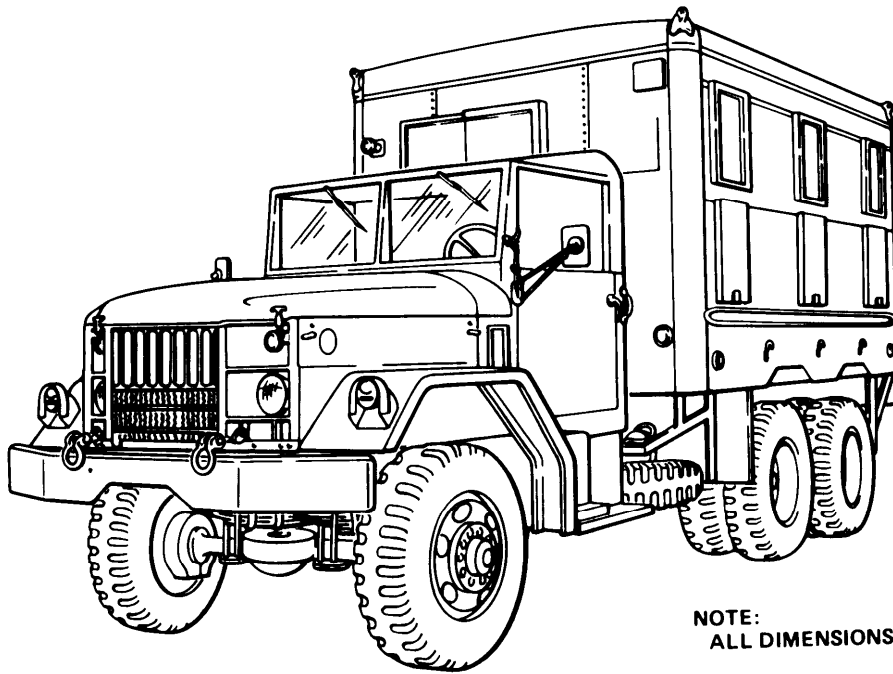
Winch: Yes

SHIPPING DATA

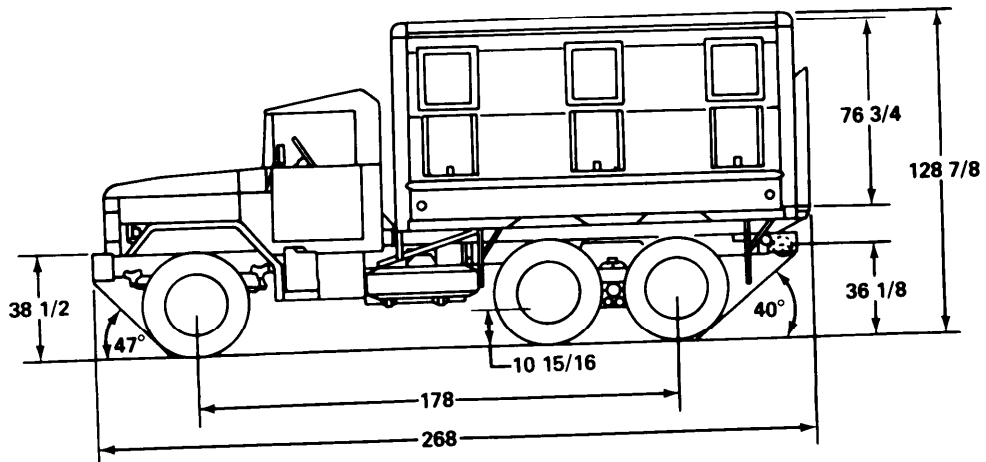
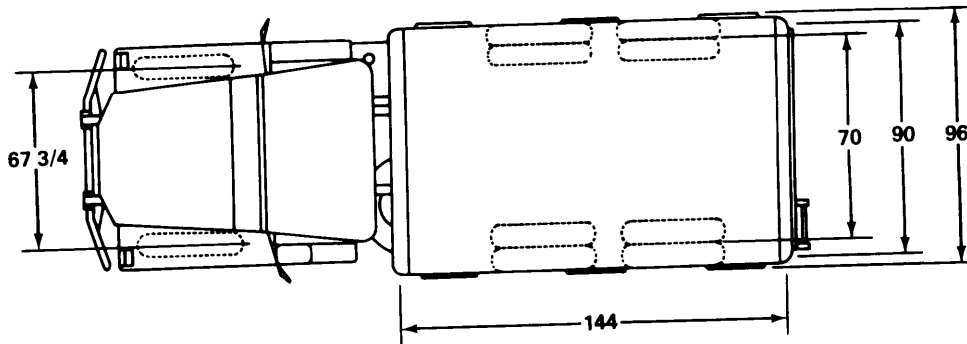
Weight: 15,400 lb

Cube: 2,020 cu ft

Ground Clearance: 1015116 in



NOTE:
ALL DIMENSIONS ARE IN INCHES.



TA209190

PURPOSE: Mobile maintenance facility.

GENERAL INFORMATION

Nomenclature: TRUCK,VAN: 2 1/2 Ton,
6x6, Shop, WO/Winch

Model Number: M109A3

Crew/Cab Capacity: 2

NSN: 2320-00-077-1636

LIN: X62340

SSN: D131120

TM: 9-2320-209-Series

CHARACTERISTICS

Horsepower: 140 bhp n @ 2,600 rpm

Transmission: Manual; 5 Fwd, 1 Rev

Electrical System: 24 Volt

Tires: 9:00 x 20, 8-ply

Brakes: Air over hydraulic

Blackout Lights: Yes

PERFORMANCE DATA

Fording:

W/Kit: 72 in

WO/Kit: 30 in

Approach Angle: 47 Degrees

VEHICLE DATA

Type Classification & Date: Std A, 1964

Replaces: M109A2, M109A1, M109

Life Expectancy: 15 Years

Payload: 5,000 lb

Towed Load Allowance: 6,000 lb

Air Transportability: Phase III

EQUIPMENT OPTIONS

Kits: Personnel Heater, Vent Body
Heater, Winterization, Fording,
Electric or Air Brakes

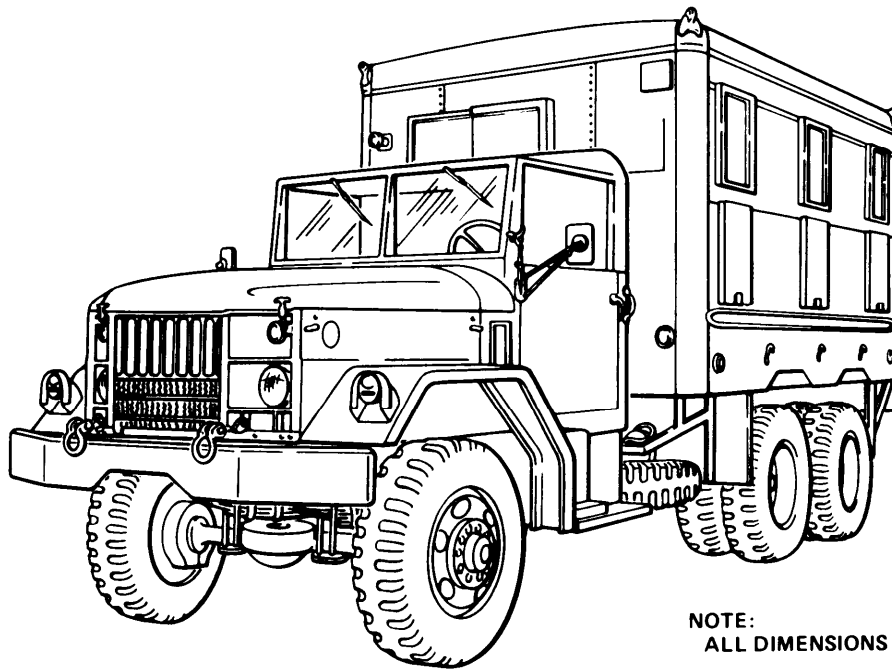
Winch: No

SHIPPING DATA

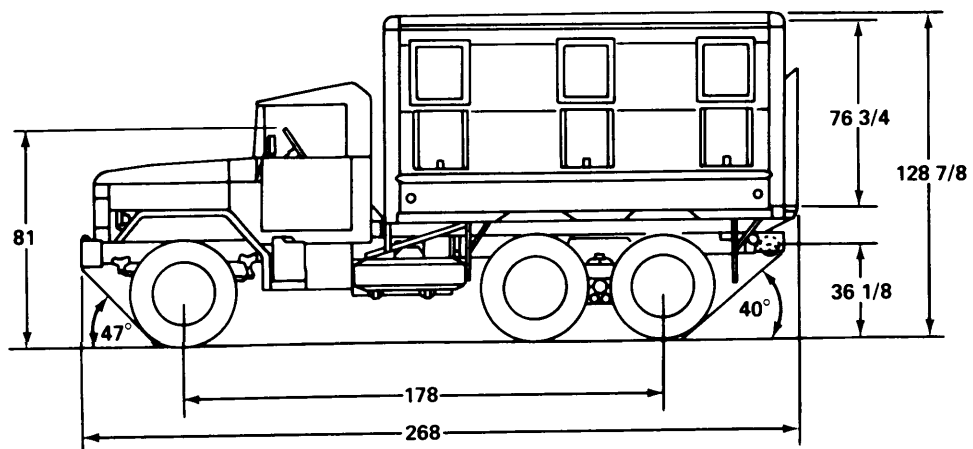
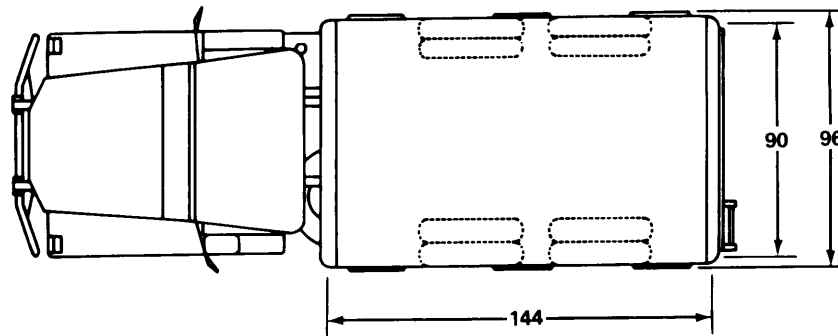
Weight: 14,900 lb

Cube: 1,920 cu ft

Ground Clearance: 1015116 in



NOTE:
ALL DIMENSIONS ARE IN INCHES.



TA208597

PURPOSE: To provide a means for calibration and repair of instruments in the field.

GENERAL INFORMATION

Nomenclature: TRUCK, VAN: 2 1/2 Ton,
6x6, Shop Repair, WO/Winch

Model Number: M185A3

Crew/Cab Capacity: 2

NSN: 4940-00-077-1638

LIN: K90188

SSN: D131010

TM: 9-2320-209-Series

CHARACTERISTICS

Horsepower: 140 bhp @ 2,600 rpm

Transmission: Manual; 5 Fwd, 1 Rev

Electrical System: 24 Volt

Tires: 9:00 x 20, 8-ply

Brakes: Air over hydraulic

Blackout Lights: Yes

PERFORMANCE DATA

Fording:

W/Kit: 72 in

WO/Kit: 30 in

Approach Angle: 47 Degrees

VEHICLE DATA

Type Classification & Date: Std A, 1963

Replaces: M185, A1, A2

Life Expectancy: 15 Years

Payload: 5,000 lb

Towed Load Allowance: 6,000 lb

Air Transportability: Phase III

EQUIPMENT OPTIONS

Kits: Fording, Winterization,
Personnel Heater

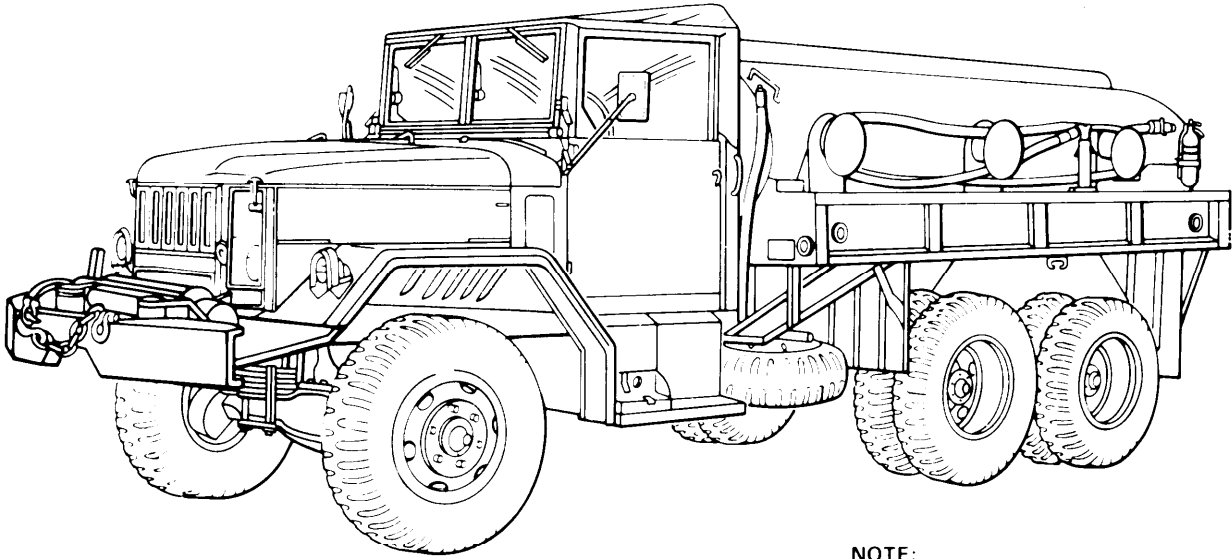
Winch: No

SHIPPING DATA

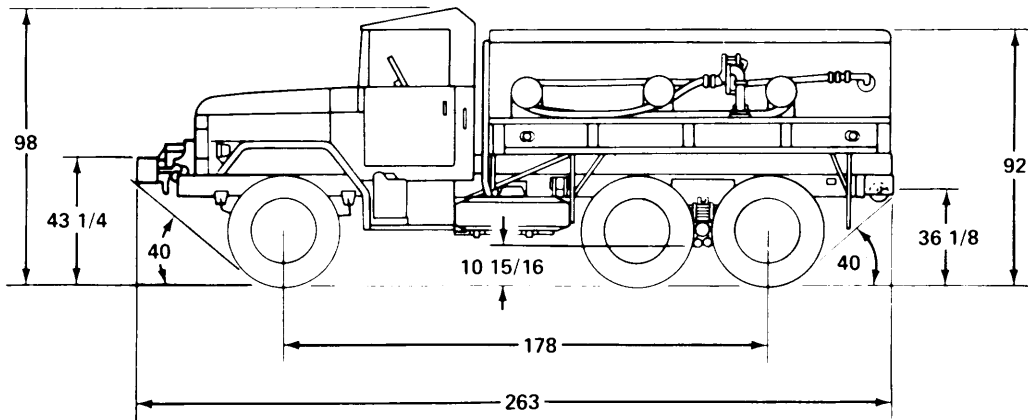
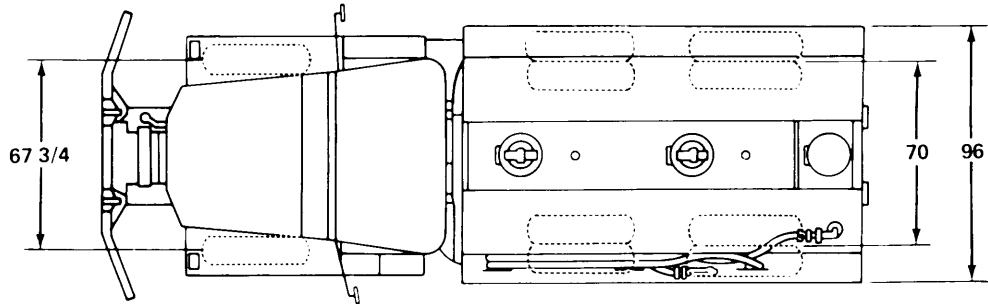
Weight: 16,800 lb

Cube: 1,920 cu ft

Ground Clearance: 10 15/16 in



NOTE:
ALL DIMENSIONS ARE IN INCHES.



TA208639

PURPOSE: This vehicle is employed by various support units where mobile fuel servicing is essential.

GENERAL INFORMATION

Nomenclature: TRUCK, TANK: 2 1/2 Ton
6x6, Fuel Servicing, W/Winch

Model Number: M49A2C

Crew/Cab Capacity: 2

NSN: 2320-00-077-1632

LIN: X57408

SSN: D131090

TM: 9-2320-209-Series

CHARACTERISTICS

Engine: Multifuel

Horsepower: 140 bhp @ 2,600 rpm

Transmission: Manual; 5 Fwd, 1 Rev

Electrical System: 24 Volt

Tires: 9:00 x 20, 8-ply

Brakes: Air over hydraulic

Blackout Lights: Yes

PERFORMANCE DATA

Fording:

W/Kit: 72 in

WO/Kit: 30 in

Approach Angle: 40 Degrees

Maximum Speed: 58 mph

Range: 350 miles

VEHICLE DATA

Type Classification & Date: Std A, 1963

Replaces: M49A1C

Life Expectancy: 15 Years

Payload: 7,200 lb

Towed Load Allowance: 6,000 lb

Air Transportability: Phase II

EQUIPMENT OPTIONS

Kits: Personnel Heater, Winterization,
Fording, Electric or Air Brakes

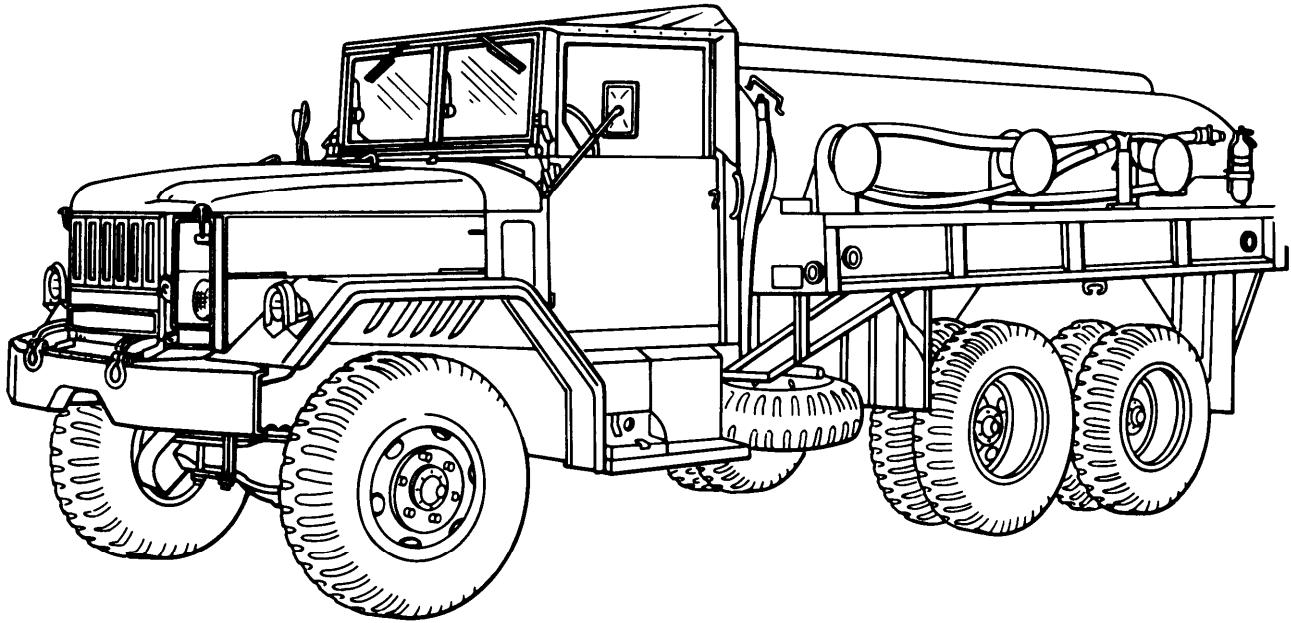
Winch: Yes

SHIPPING DATA

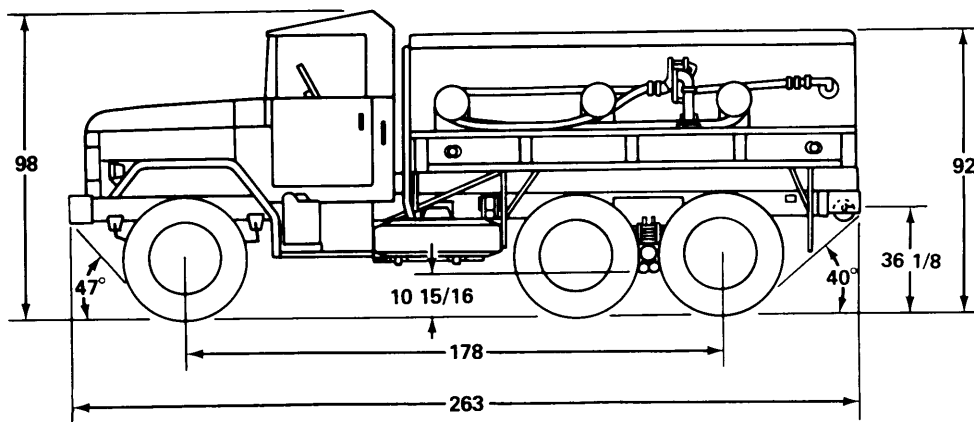
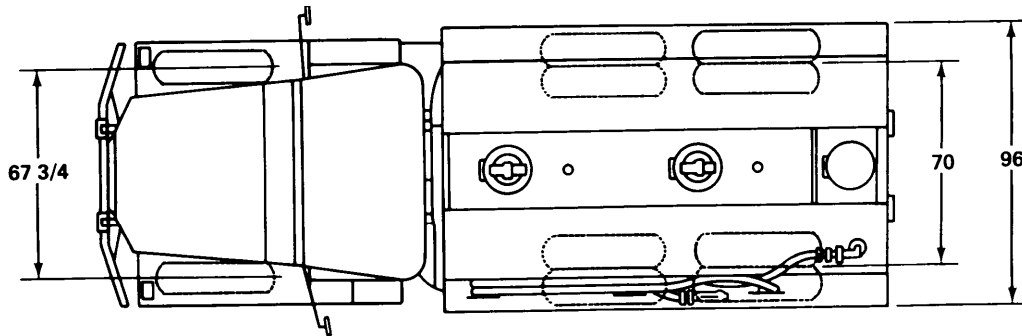
Weight: 15,048 lb

Cube: 1,420 cu ft

Ground Clearance: 10 15/16 in



NOTE:
ALL DIMENSIONS ARE INCHES.



TA208762

PURPOSE: This vehicle is employed by various support units where mobile fuel servicing is essential.

GENERAL INFORMATION

Nomenclature: TRUCK, TANK: 2 1/2 Ton,
6x6, Fuel Servicing, WO/Winch

Model Number: M49A2C

Crew/Cab Capacity: 2

NSN: 2320-00-077-1631

LIN: X57271

SSN: D131090

TM: 9-2320-209-Series

CHARACTERISTICS

Engine: Multifuel

Horsepower: 140 bhp @ 2,600 rpm

Transmission: Manual; 5 Fwd, 1 Rev

Electrical System: 24 Volt

Tires: 9:00 x 20, 8-ply

Brakes: Air over hydraulic

Blackout Lights: Yes

PERFORMANCE DATA

Fording:

W/Kit: 72 in

WO/Kit: 30 in

Approach Angle: 47 Degrees

Maximum Speed: 58 mph

Range: 350 miles

VEHICLE DATA

Type Classification & Date: Std A, 1963

Replaces: M49A1C

Life Expectancy: 15 Years

Payload: 7,200 lb

Towed Load Allowance: 6,000 lb

Air Transportability: Phase II

EQUIPMENT OPTIONS

Kits: Personnel Heater, Winterization,
Fording, Electric or Air Brakes

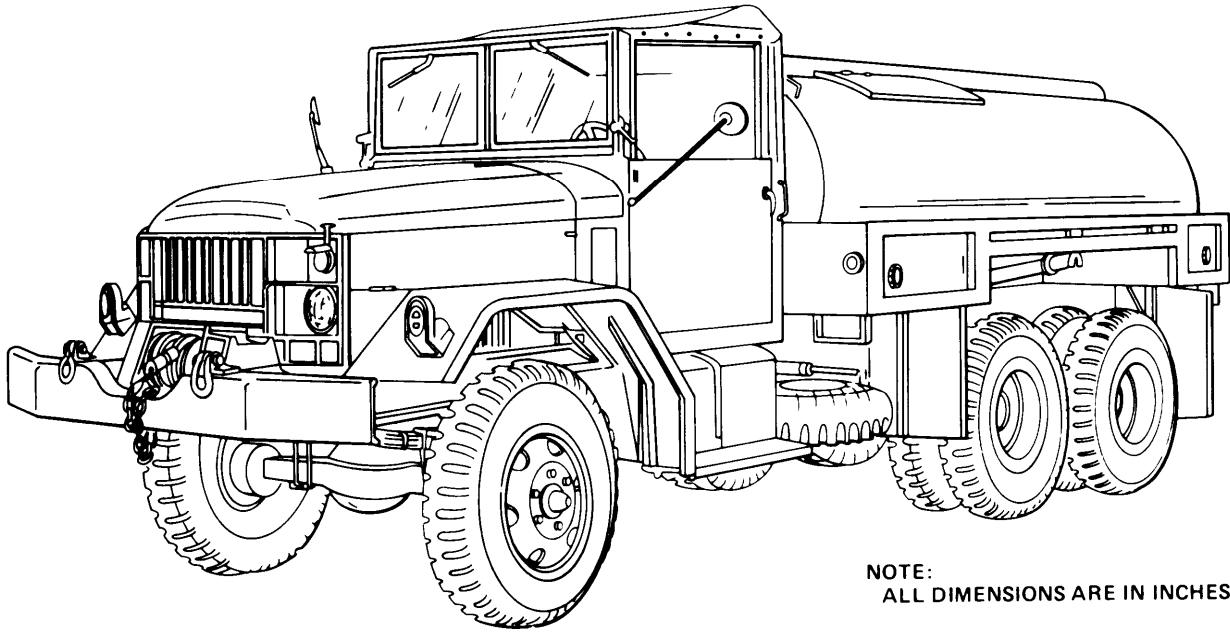
Winch: No

SHIPPING DATA

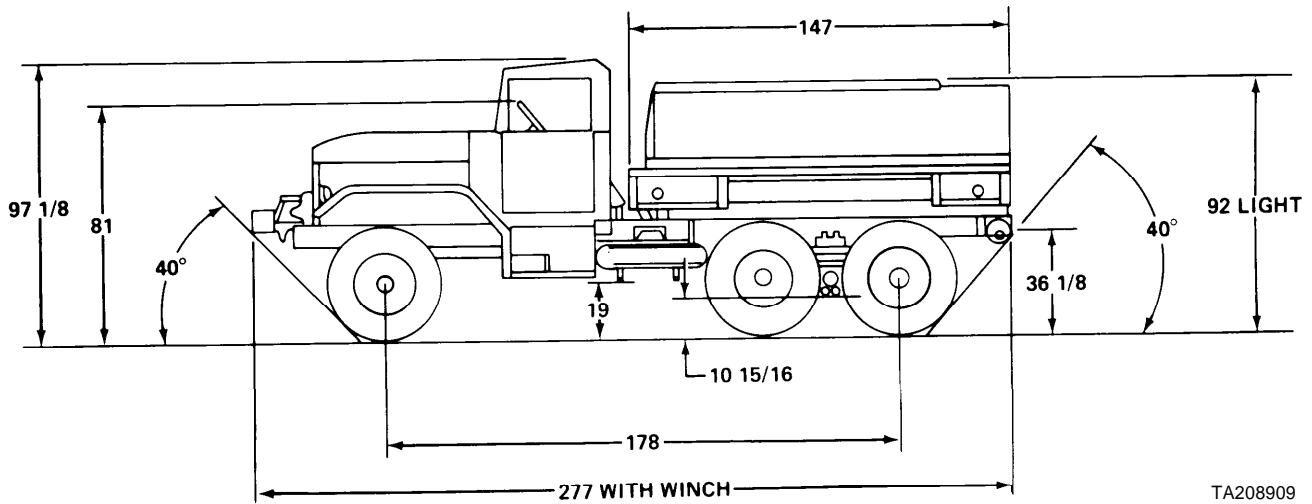
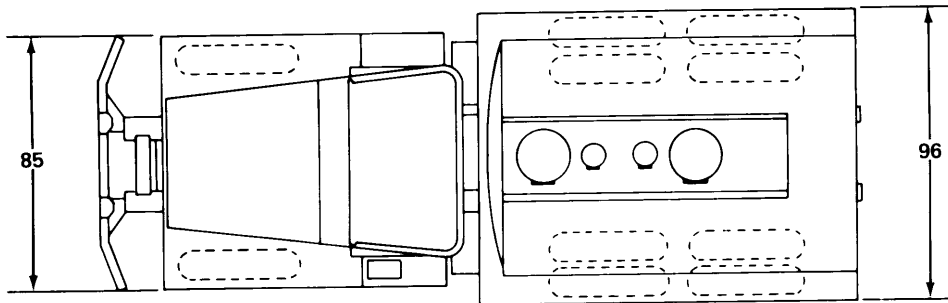
Weight: 15,048 lb

Cube: 1,420 cu ft

Ground Clearance: 10 15/16 in



NOTE:
ALL DIMENSIONS ARE IN INCHES.



TA208909

PURPOSE: To transport and dispense drinking water.

GENERAL INFORMATION

Nomenclature: TRUCK, TANK: 2 1/2 Ton,
6x6, Water, 1000 Gal, W/Winch, W/E

Model Number: M50A2

Crew/Cab Capacity: 2

NSN: 2320-00-077-1634

LIN: X58504

SSN: D131100

TM: 9-2320-209-Series

CHARACTERISTICS

Horsepower: 140 bhp @ 2,600 rpm

Transmission: Manual; 5 Fwd, 1 Rev

Electrical System: 24 Volt

Tires: 9:00 x 20, 8-ply

Brakes: Air over hydraulic

Blackout Lights: Yes

PERFORMANCE DATA

Fording:

W/Kit: 72 in

WO/Kit: 30 in

Approach Angle: 40 Degrees

VEHICLE DATA

Type Classification & Date: Std B, 1970

Replaced By: M50A3

Life Expectancy: 15 Years

Payload: 400 gal

Towed Load Allowance: 6,000 lb

Air Transportability: Phase II

EQUIPMENT OPTIONS

Kits: Fording, Winterization,
Personnel Heater

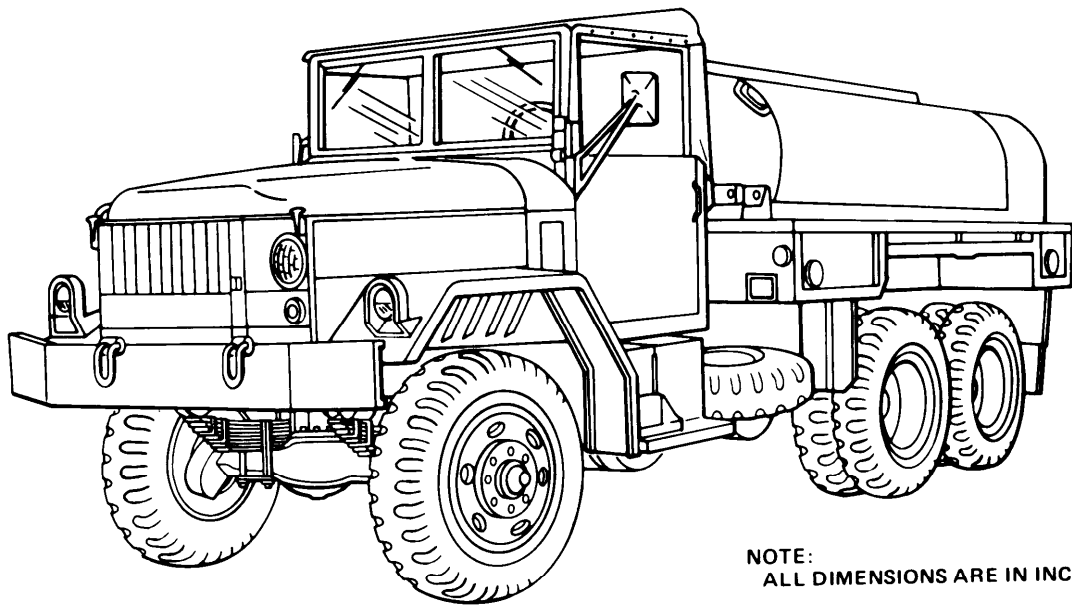
Winch: Yes

SHIPPING DATA

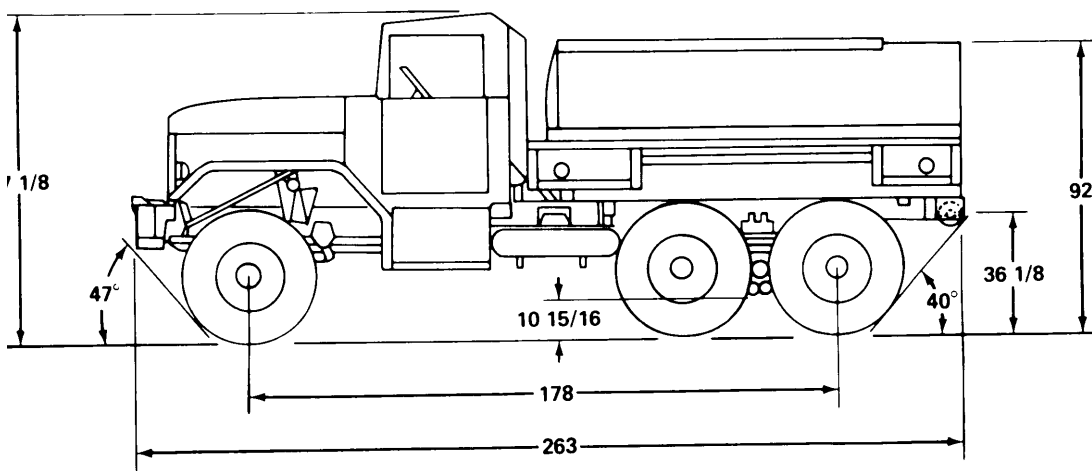
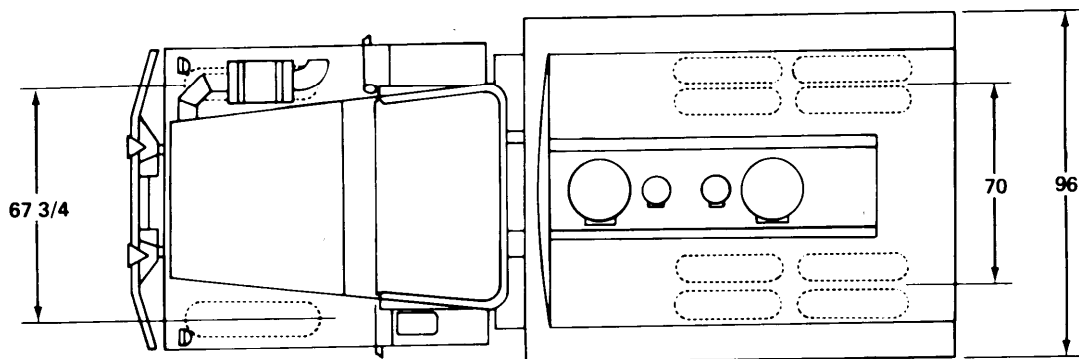
Weight: 14,600 lb

Cube: 1,420 cu ft

Ground Clearance: 10 15/16 in



NOTE:
ALL DIMENSIONS ARE IN INCHES.



TA208703

PURPOSE: To transport and dispense potable water.

GENERAL INFORMATION

Nomenclature: TRUCK, TANK: 2 1/2 Ton,
6x6, Water, 1000 Gal, WO/Winch, W/E

Model Number: M50A2

Crew/Cab Capacity: 2

NSN: 2320-00-077-1633

LIN: X58367

SSN: D131100

TM: 9-2320-209-Series

CHARACTERISTICS

Horsepower: 140 bhp @ 2,600 rpm

Transmission: Manual; 5 Fwd, 1 Rev

Electrical System: 24 Volt

Tires: 9:00 x 20, 8-ply

Brakes: Air over hydraulic

Blackout Lights: Yes

PERFORMANCE DATA

Fording:

W/Kit: 72 in

WO/Kit: 30 in

Approach Angle: 47 Degrees

VEHICLE DATA

Type Classification & Date: Std B, 1970

Replaced By: M50A3

Life Expectancy: 15 Years

Payload: 400 gal

Towed Load Allowance: 6,000 lb

Air Transportability: Phase II

EQUIPMENT OPTIONS

Kits: Fording, Winterization,
Personnel Heater

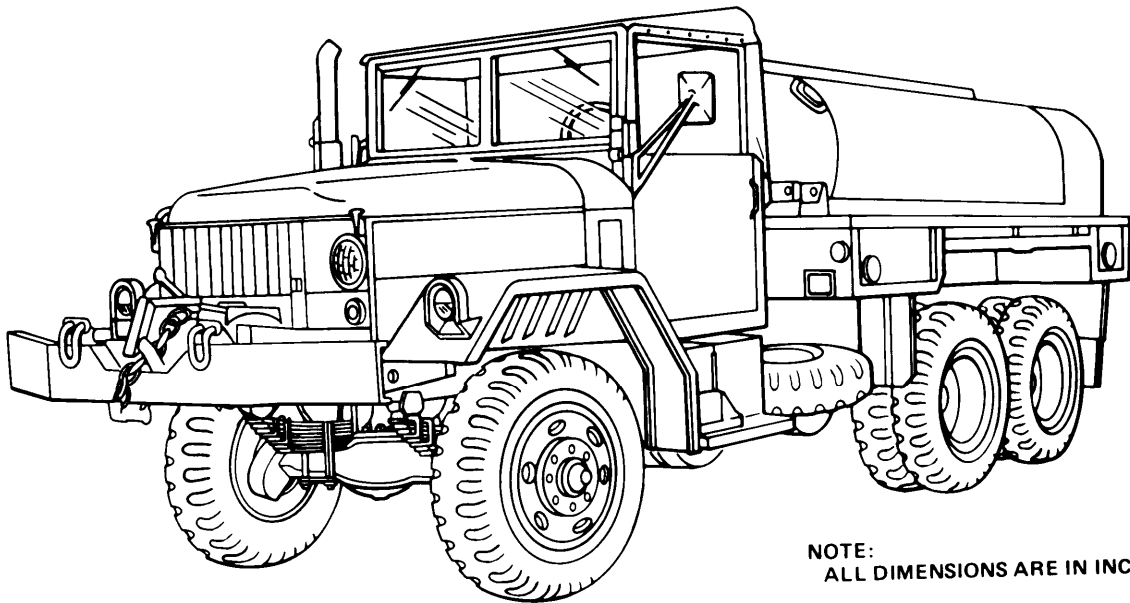
Winch: No

SHIPPING DATA

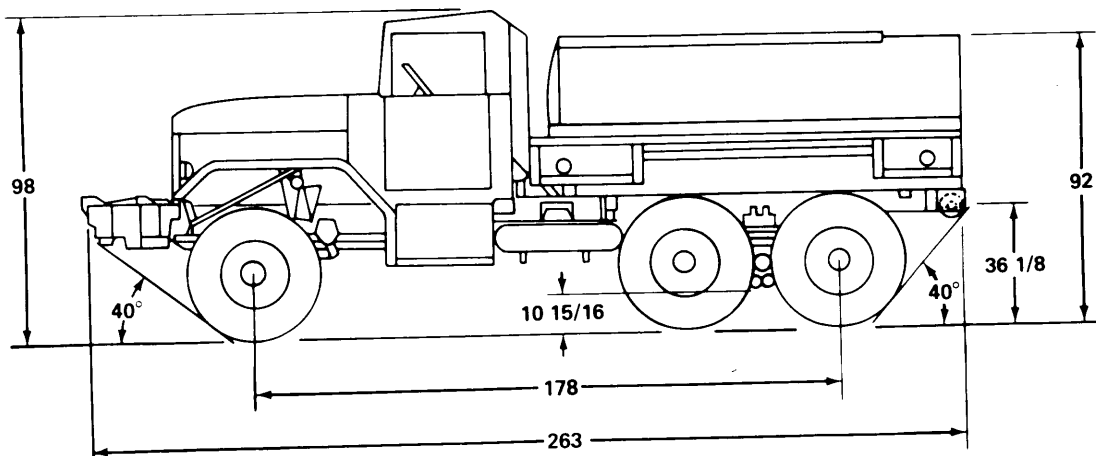
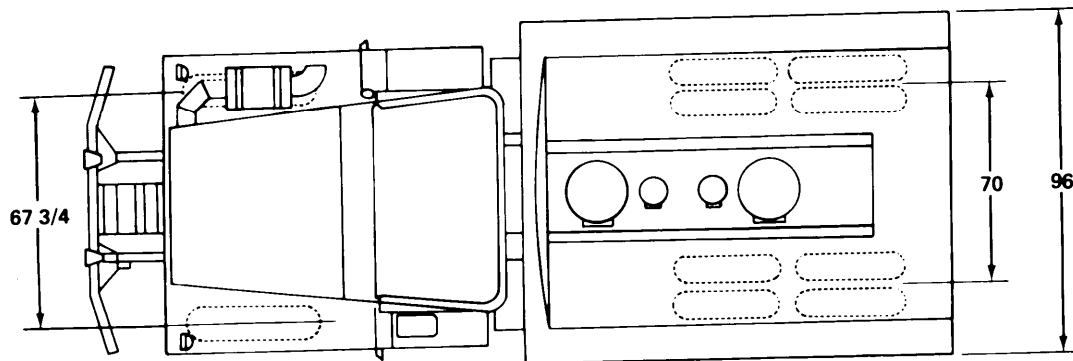
Weight: 14,100 lb

Cube: 1,350 cu ft

Ground Clearance: 10 15/16 in



NOTE:
ALL DIMENSIONS ARE IN INCHES.



TA209191

PURPOSE: To transport and dispense drinking water.

GENERAL INFORMATION

Nomenclature: TRUCK,TANK: 2 1/2 Ton,
6x6, Water,1000 Gal ,W/Winch

Model Number: M50A3

Crew/Cab Capacity: 2

NSN: 2320-00-937-5264

LIN: X58504

SSN: D131100

TM: 9-2320-209-Series

CHARACTERISTICS

Engine: Multifuel

Horsepower: 140 bhp @ 2,600 rpm

Transmission: Manual; 5 Fwd, 1 Rev

Electrical System: 24 Volt

Tires: 9:00 x 20, 8-ply

Brakes: Air over hydraulic

Blackout Lights: Yes

PERFORMANCE DATA

Fording:

W/Kit: 72 in

WO/Kit: 30 in

Approach Angle: 40 Degrees

Maximum Speed: 56 mph

Range: 320 miles

VEHICLE DATA

Type Classification & Date: Std A, 1970

Replaces: M50A2

Life Expectancy: 15 Years

Payload: 1,000 gal, Off Road: 500 gal

Towed Load Allowance: 6,000 lb

Air Transportability: Phase II

EQUIPMENT OPTIONS

Kits: Fording

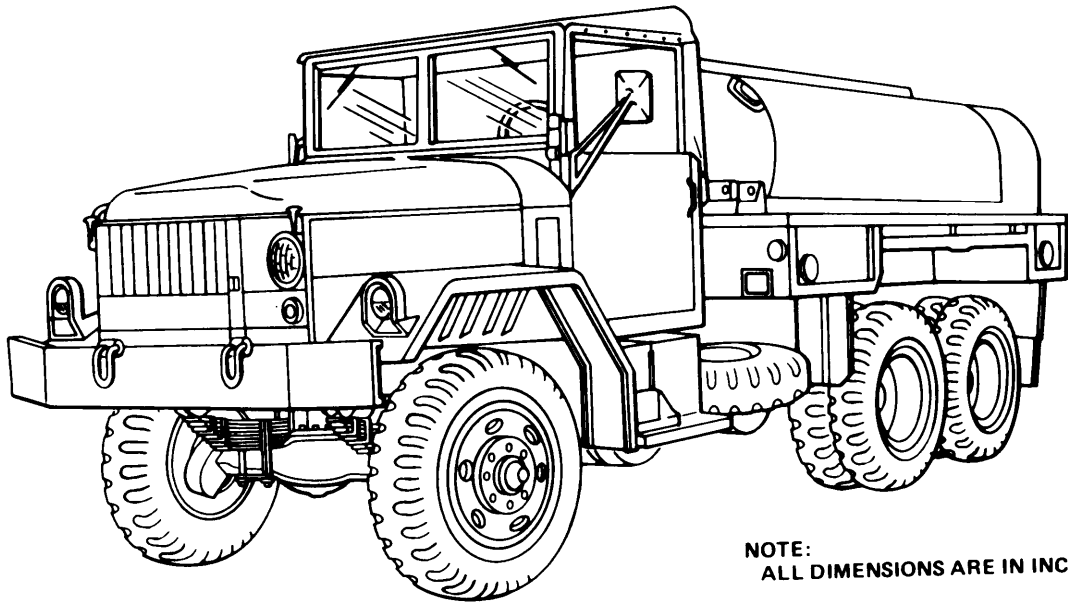
Winch: Yes

SHIPPING DATA

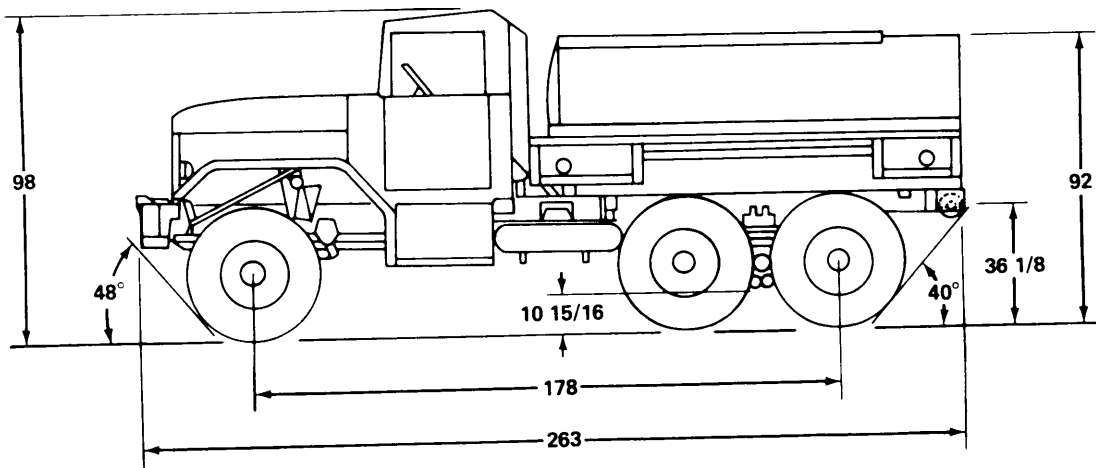
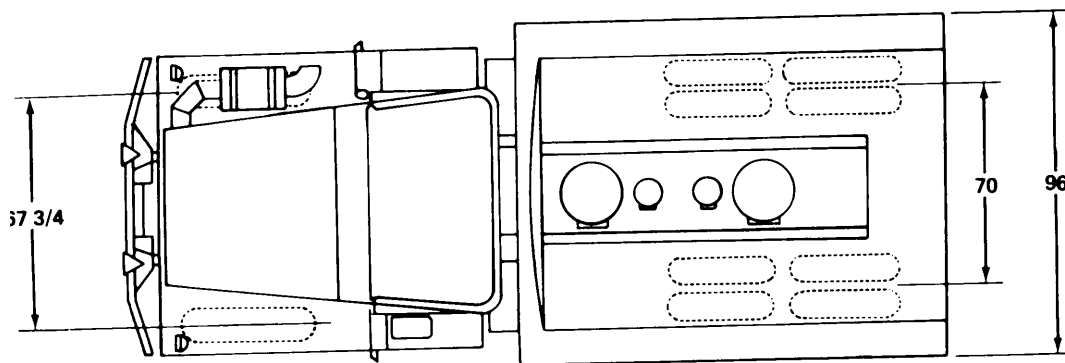
Weight: 22,950 lb

Cube: 1,381 cu ft

Ground Clearance: 10 15/16 in



NOTE:
ALL DIMENSIONS ARE IN INCHES.



TA209192

PURPOSE: To transport and dispense drinking water.

GENERAL INFORMATION

Nomenclature: TRUCK, TANK: 2 1/2 Ton,
6x6, Water,1000 Gal ,WO/Winch

Model Number: M50A3

Crew/Cab Capacity: 2

NSN: 2320-00-937-4036

LIN: X58367

SSN: D131100

TM: 9-2320-209-Series

CHARACTERISTICS

Engine: Multifuel

Horsepower: 140 bhp @ 2,600 rpm

Transmission: Manual; 5 Fwd, 1 Rev

Electrical System: 24 Volt

Tires: 9:00 x 20, 8-ply

Brakes: Air over hydraulic

Blackout Lights: Yes

PERFORMANCE DATA

Fording:

W/Kit: 72 in

WO/Kit: 30 in

Approach Angle: 48 Degrees

Maximum Speed: 56 mph

Range: 320 miles

VEHICLE DATA

Type Classification & Date: Std A, 1970

Replaces: M50A2

Life Expectancy: 15 Years

Payload 1,000 gal, Off Road: 500 gal

Towed Load Allowance: 6,000 lb

Air Transportability: Phase II

EQUIPMENT OPTIONS

Kits: Fording

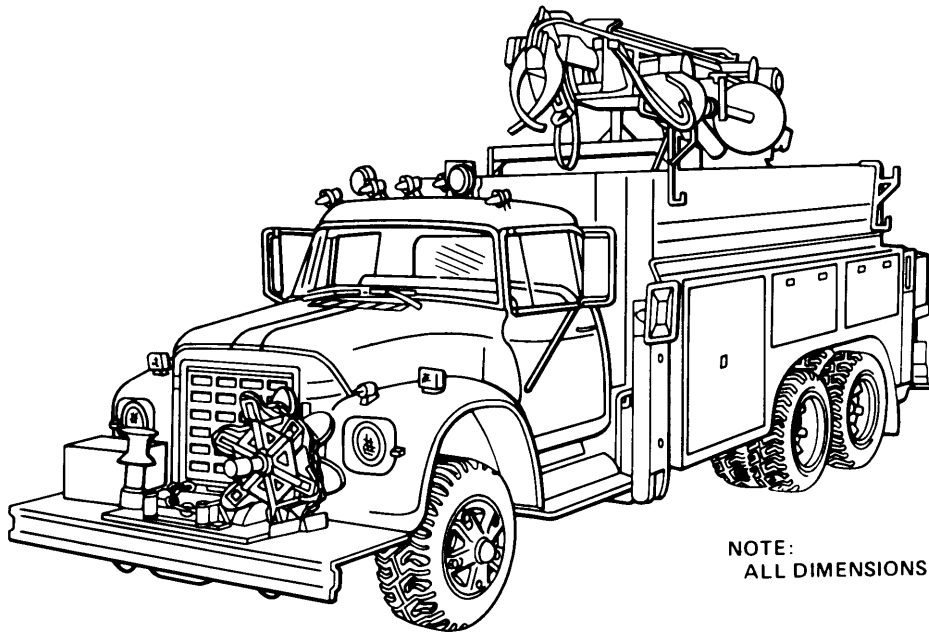
Winch: No

SHIPPING DATA

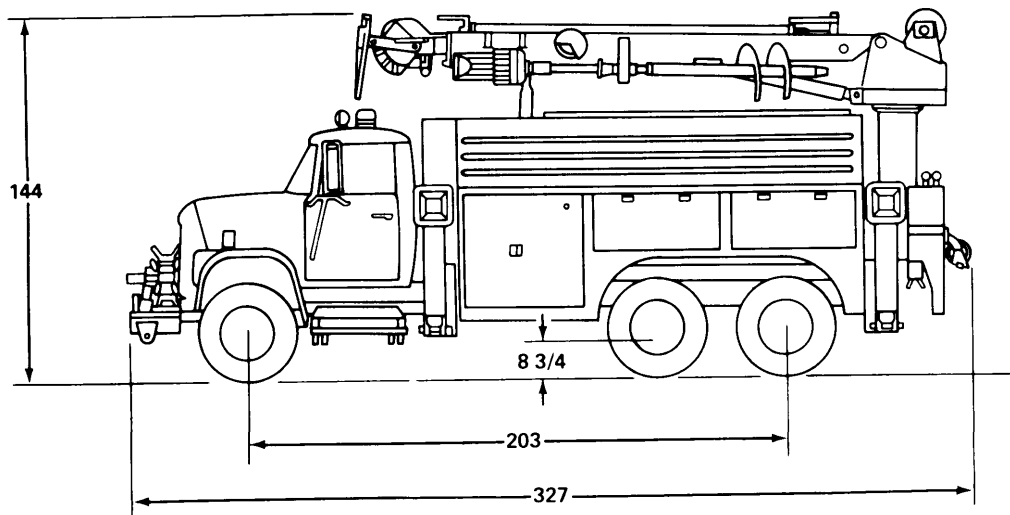
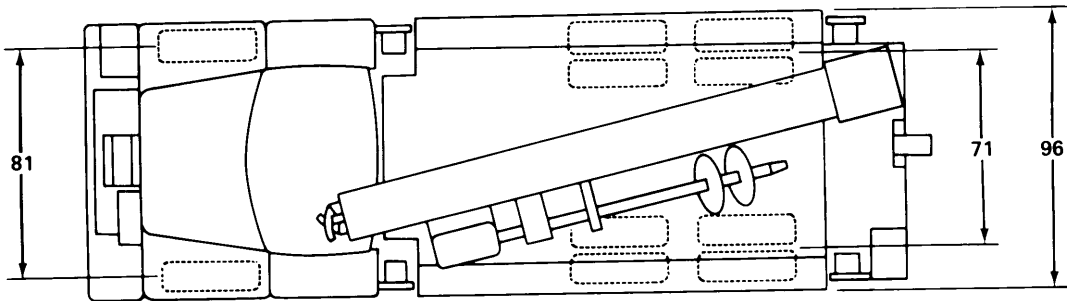
Weight: 14,120 lb

Cube: 1,330 cu ft

Ground Clearance: 10 15/16 in.



NOTE:
ALL DIMENSIONS ARE IN INCHES.



TA208662

PURPOSE: To establish and maintain communication lines.

GENERAL INFORMATION

Nomenclature: TRUCK, TELEPHONE
 MAINTENANCE, UTILITY: 2 1/2 Ton, 6x4,
 36,000 GVW, W/Winch

Model Number: M876

Crew/Cab Capacity: 3

NSN: 2320-00-000-0114

LIN: T53858

SSN: D132000

TM: 9-2320-209-Series

CHARACTERISTICS

Horsepower: 190 bhp @ 2,000 rpm

Transmission: Automatic; 5 Fwd, 1 Rev

Electrical System: 12 Volt

Tires: 8:25 x 20, 12-ply

Brakes: Air, drum type

Blackout Lights: Yes

PERFORMANCE DATA

Fording:

W/Kit:

WO/Kit: 11 in

Approach Angle:

VEHICLE DATA

Type Classification & Date: Std A, 1978

Replaces: V17A MTQ

Life Expectancy: 10 Years

Payload: 8,000 lb

Towed Load Allowance: 12,000 lb

Air Transportability:

EQUIPMENT OPTIONS

Kits: Hydraulic Derrick, Earth Auger,
 Hydraulic Tools, Body Cabinets

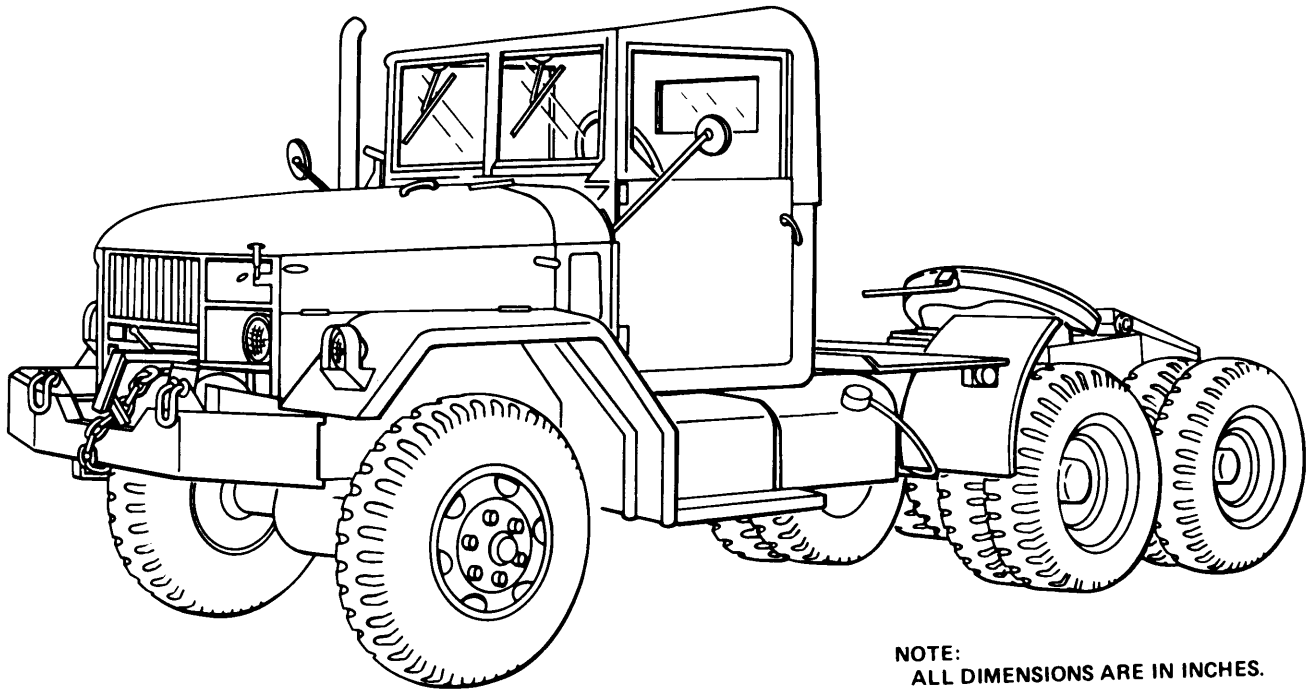
Winch: Yes, Body and Recovery

SHIPPING DATA

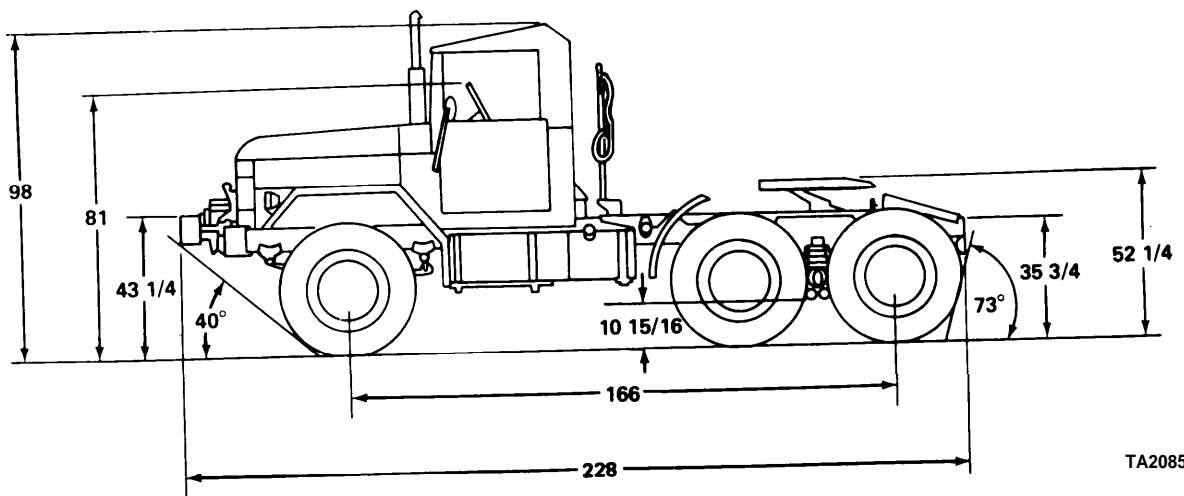
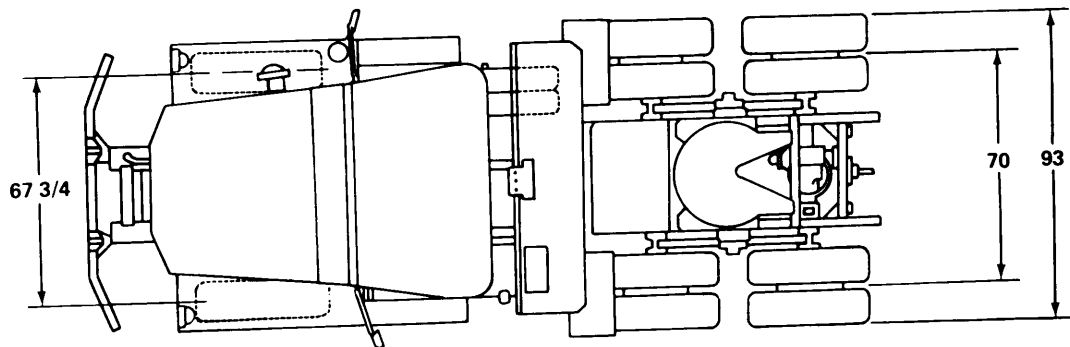
Weight: 29,000 lb

Cube: 2,616 cu ft

Ground Clearance: 8 3/4 in



NOTE:
ALL DIMENSIONS ARE IN INCHES.



TA208563

PURPOSE: This vehicle is employed strictly as a towing vehicle wherever semitrailers are required to be moved.

GENERAL INFORMATION

Nomenclature: TRUCK. TRACTOR: 2 1/2
Ton, 6x6, W/Low MTD 5th Wheel,
W/Winch

Model Number: M275A2

Crew/Cab Capacity: 2

NSN: 2320-00-077-1641

LIN: X59189

SSN: D131110

TM: 9-2320-209-Series

CHARACTERISTICS

Engine: Multifuel

Horsepower: 140 bhp @ 2,600 rpm

Transmission: Manual; 5 Fwd, 1 Rev

Electrical System: 24 Volt

Tires: 9:00 x 20, 8-ply

Brakes: Air over hydraulic

Blackout Lights: Yes

PERFORMANCE DATA

Fording:

W/Kit: 72 in

WO/Kit: 30 in

Approach Angle: 40 Degrees

Maximum Speed: 58 mph

Range: 350 miles

VEHICLE DATA

Type Classification & Date: Std A, 1963

Replaces: M275A1, M275

Life Expectancy: 15 Years

Payload: 12,000 lb, Off Road: 7,000 lb

Towed Load Allowance: 17,000 lb – Fifth
wheel 6,000 lb-Pintle

Air Transportability: Phase II

EQUIPMENT OPTIONS

Kits: Personnel Heater, Winterization
Fording, Electric or Air Brakes

Winch: Yes

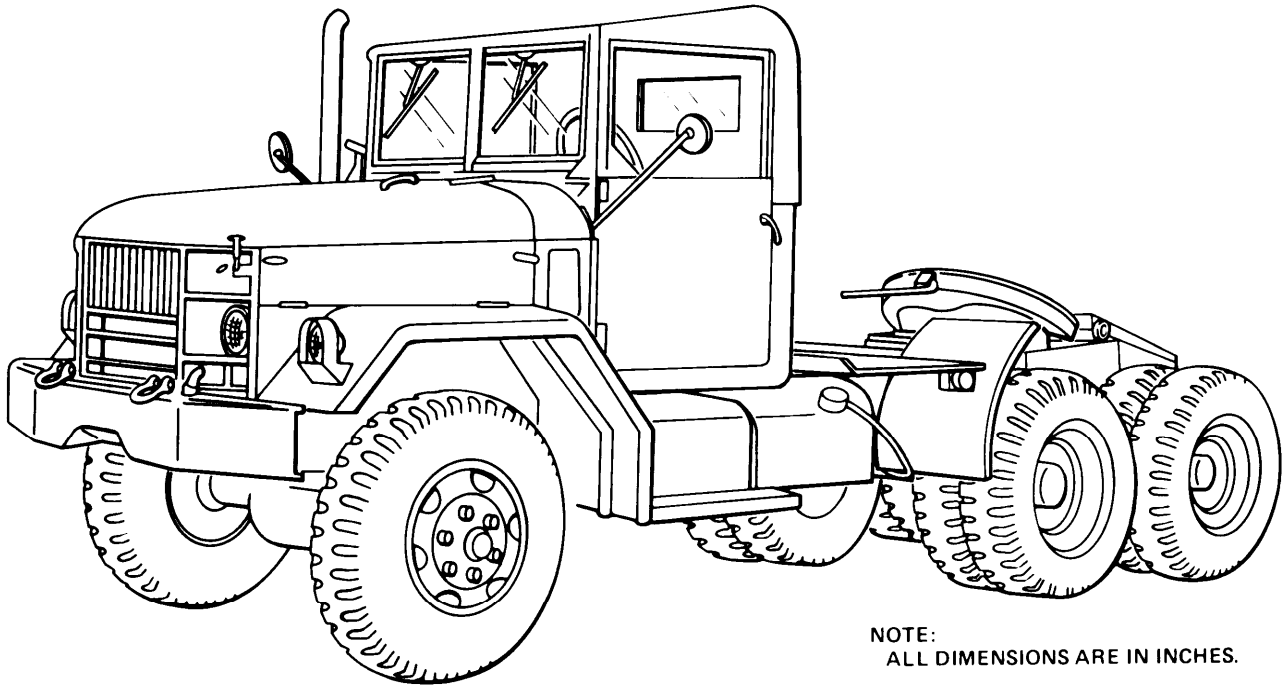
SHIPPING DATA

Weight: 12,600 lb

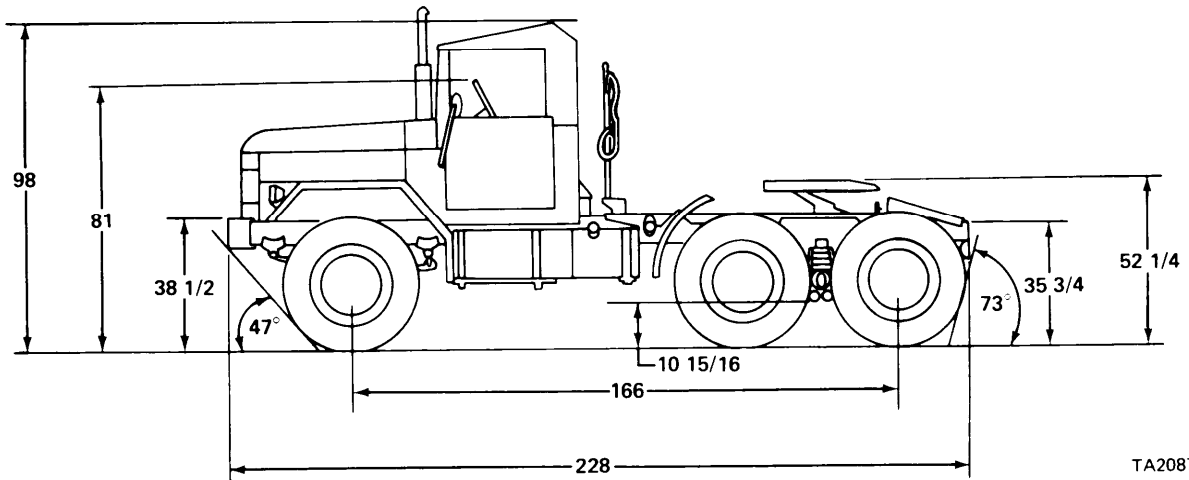
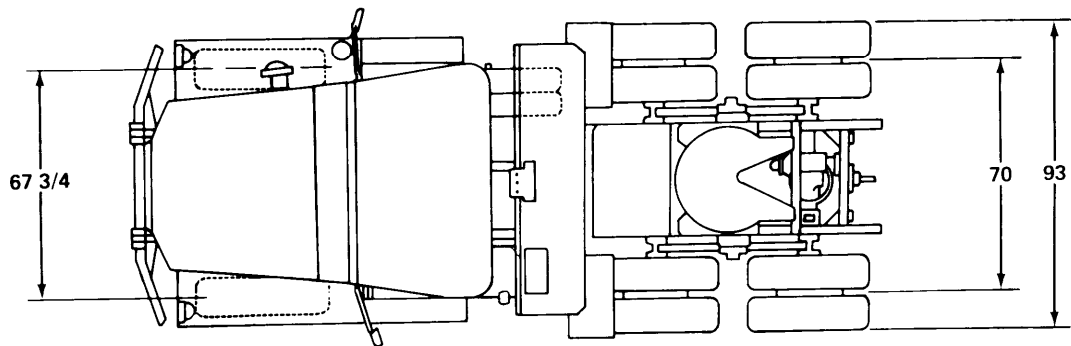
Cube: 1,060 cu ft

Ground Clearance: 10 15/16 in

Fifth Wheel Height: 52 1/4 in



NOTE:
ALL DIMENSIONS ARE IN INCHES.



TA208704

PURPOSE: This vehicle is employed strictly as a towing vehicle wherever semitrailers are required to be moved.

GENERAL INFORMATION

Nomenclature: TRUCK, TRACTOR: 2 1/2
Ton, 6x6, W/Low MTD 5th Wheel,
WO/Winch

Model Number: M275A2

Crew/Cab Capacity: 2

NSN: 2320-00-077-1640

LIN: X59052

SSN: D131110

TM: 9-2320-209-Series

CHARACTERISTICS

Engine: Multifuel

Horsepower: 140 bhp @ 2,600 rpm

Transmission: Manual; 5 Fwd, 1 Rev

Electrical System: 24 Volt

Tires: 9:00 x 20, 8-ply

Brakes: Air over hydraulic

Blackout Lights: Yes

PERFORMANCE DATA

Fording:

W/Kit: 72 in

WO/Kit: 30 in

Approach Angle: 47 Degrees

Maximum Speed: 58 mph

Range: 350 miles

VEHICLE DATA

Type Classification & Date: Std A, 1963

Replaces: M275A1, M275

Life Expectancy: 15 Years

Payload: 12,000 lb, Off Road: 7,000 lb

Towed Load Allowance: 17,000 lb - Fifth
wheel 6,000 lb-Pintle

Air Transportability: Phase II

EQUIPMENT OPTIONS

Kits: Personnel Heater, Winterization
Fording, Electric or Air Brakes

Winch: No

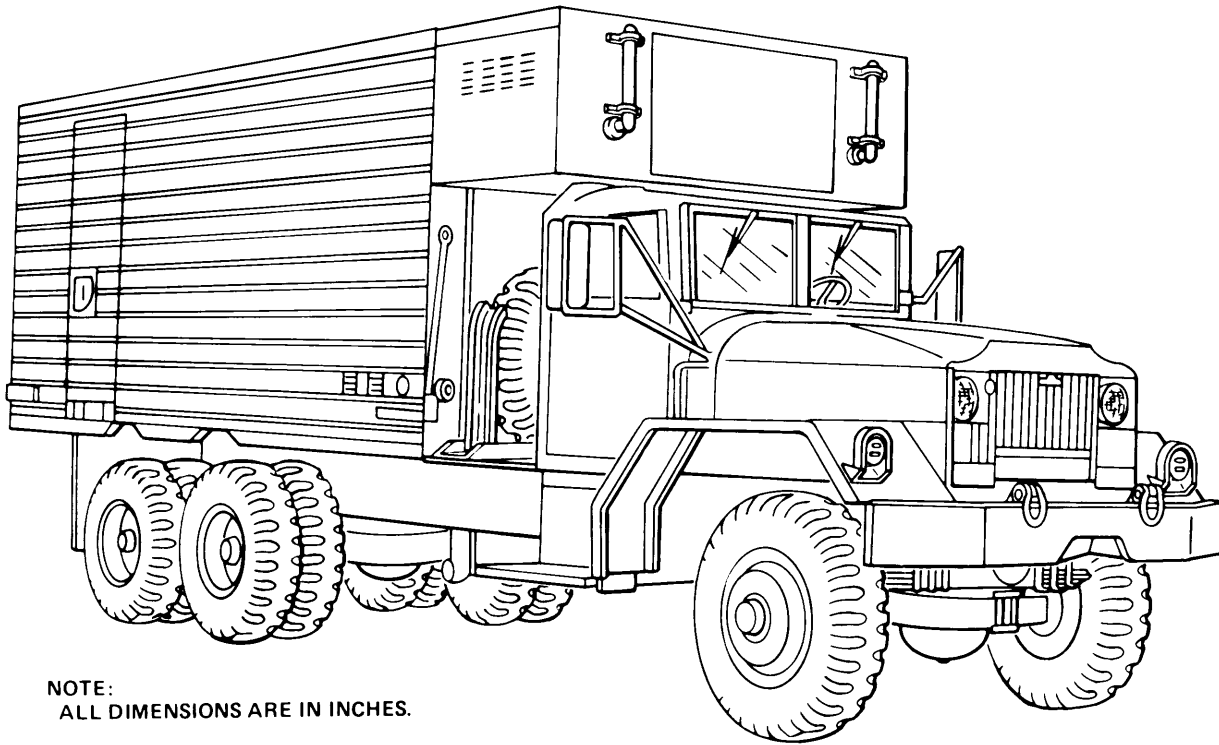
SHIPPING DATA

Weight: 12,100 lb

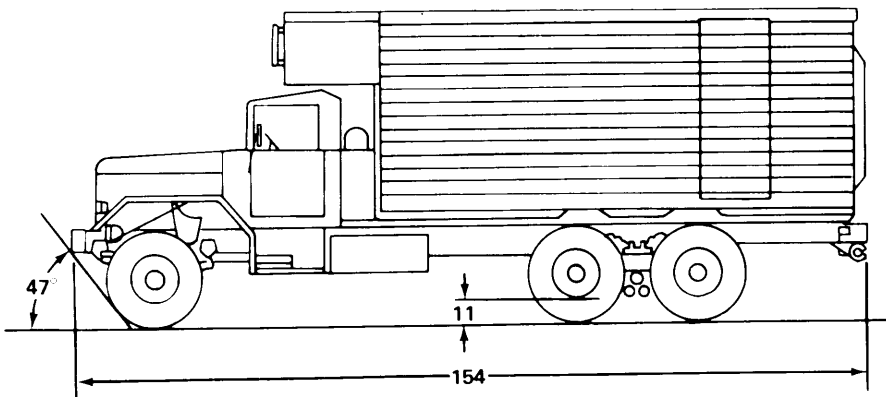
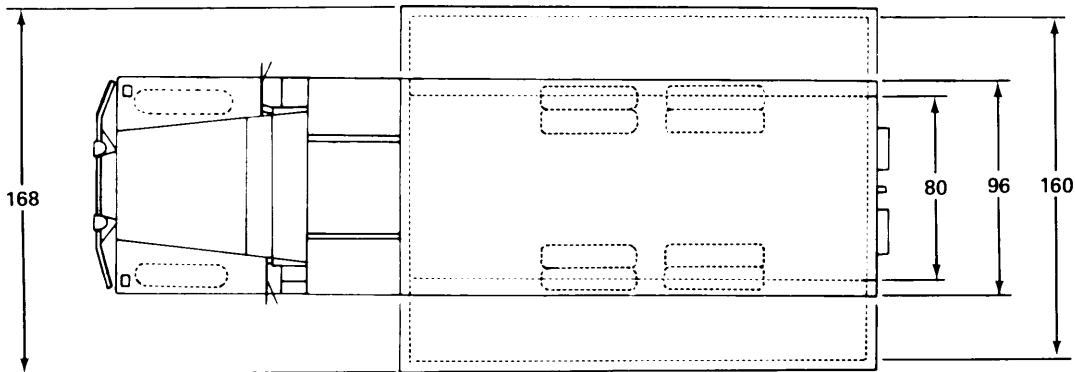
Cube: 1,000 cu ft

Ground Clearance: 1015116 in

Fifth Wheel Height: 52114 in unloaded



NOTE:
ALL DIMENSIONS ARE IN INCHES.



TA209193

PURPOSE: Provide a vehicle for housing and transporting various bulky technical equipment.

GENERAL INFORMATION

Nomenclature: TRUCK, VAN: 2 1/2 Ton, 6x6,
Expansible, W/E, (ARMY)

Model Number: M292A1

Crew/Cab Capacity: 2

NSN: 2320-00-440-8318

LIN: X61929

SSN: D140080

TM: 9-2320-209-Series

CHARACTERISTICS

Horsepower: 127 bhp @ 2,600 rpm

Transmission: Manual; 5 Fwd, 1 Rev

Electrical System: 24 Volt

Tires: 9:00 x 20, 8-ply

Brakes: Air over hydraulic

Blackout Lights: Yes

PERFORMANCE DATA

Fording:

W/Kit: 72 in

WO/Kit: 30 in

Approach Angle: 47 Degrees

VEHICLE DATA

Type Classification & Date: Std B, 1964

Replaces: M292

Life Expectancy: 20 Years

Payload: 5,000 lb

Towed Load Allowance: 6,000 lb

Air Transportability: Phase II

EQUIPMENT OPTIONS

Kits: Fording, Winterization, Personnel Heater, Air Conditioner

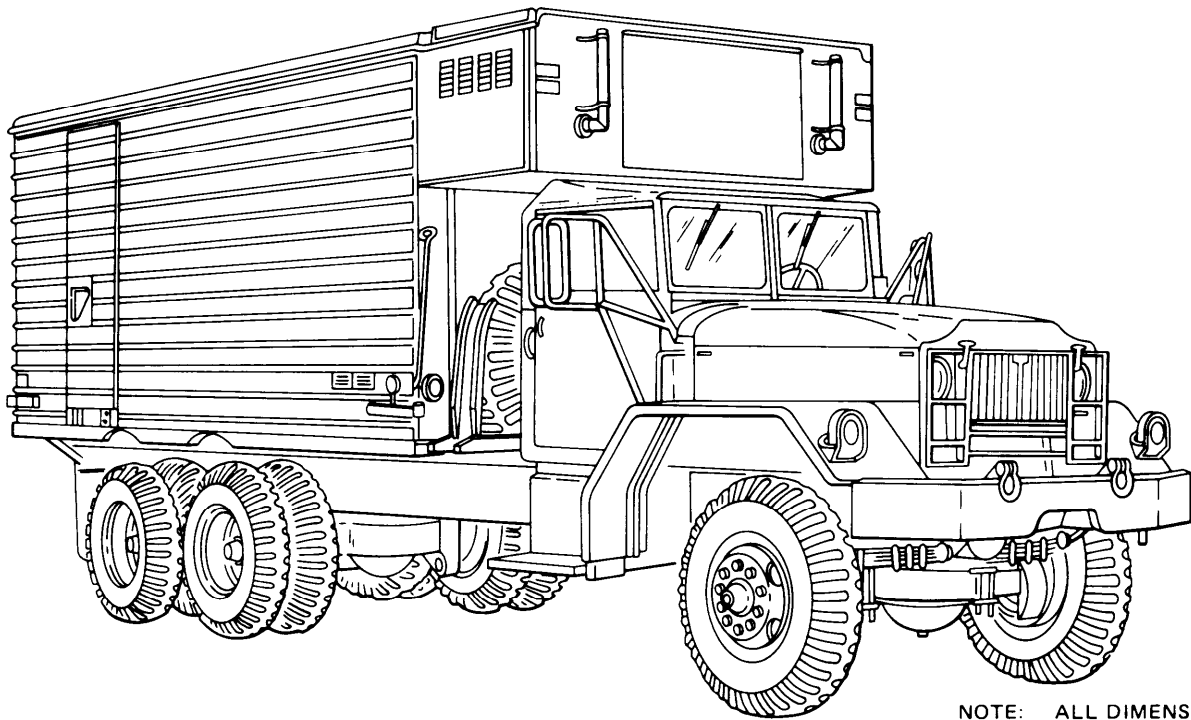
Winch: No

SHIPPING DATA

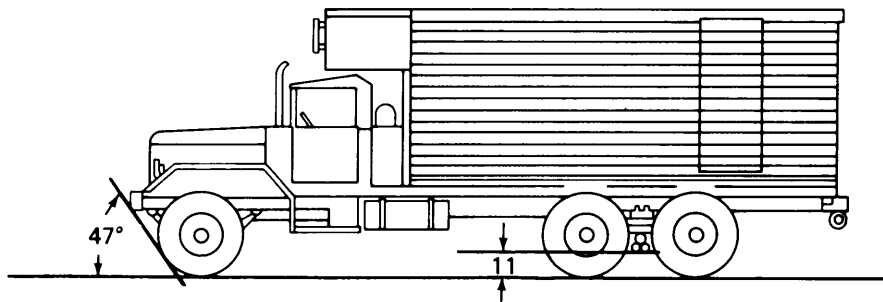
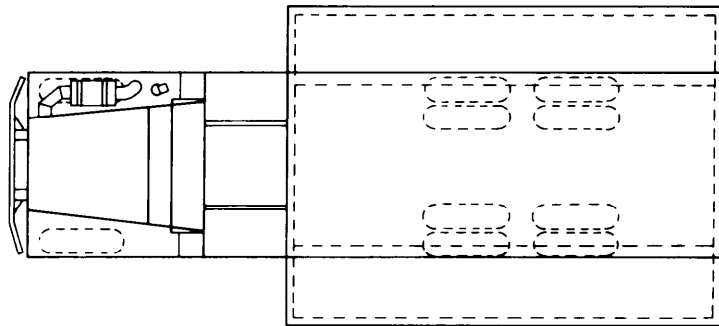
Weight: 21,350 lb

Cube: 2,508 cu ft

Ground Clearance: 11 in



NOTE: ALL DIMENSIONS ARE IN INCHES.



TA208988

PURPOSE: Provide a vehicle for housing and transporting various bulky technical equipment.

GENERAL INFORMATION

Nomenclature: TRUCK, VAN: 2 1/2 Ton, 6x6,
Expansible, W/O Winch, (ARMY), W/E

Model Number: M292A2

Crew/Cab Capacity: 2

NSN: 2320-00-077-1642

LIN: X61929

SSN: D140080

TM: 9-2320-209-Series

CHARACTERISTICS

Horsepower: 127 bhp @ 2,600 rpm

Transmission: Manual; 5 Fwd, 1 Rev

Electrical System: 24 Volt

Tires: 9:00 x 20, 8-ply

Brakes: Air over hydraulic

Blackout Lights: Yes

PERFORMANCE DATA

Fording:

W/Kit: 72 in

WO/Kit: 30 in

Approach Angle: 47 Degrees

VEHICLE DATA

Type Classification & Date: Std B, 1965

Replaces: M292A1

Life Expectancy: 20 Years

Payload: 5,000 lb

Towed Load Allowance: 6,000 lb

Air Transportability: Phase II

EQUIPMENT OPTIONS

Kits: Fording, Winterization,
Personnel Heater, Air Conditioner

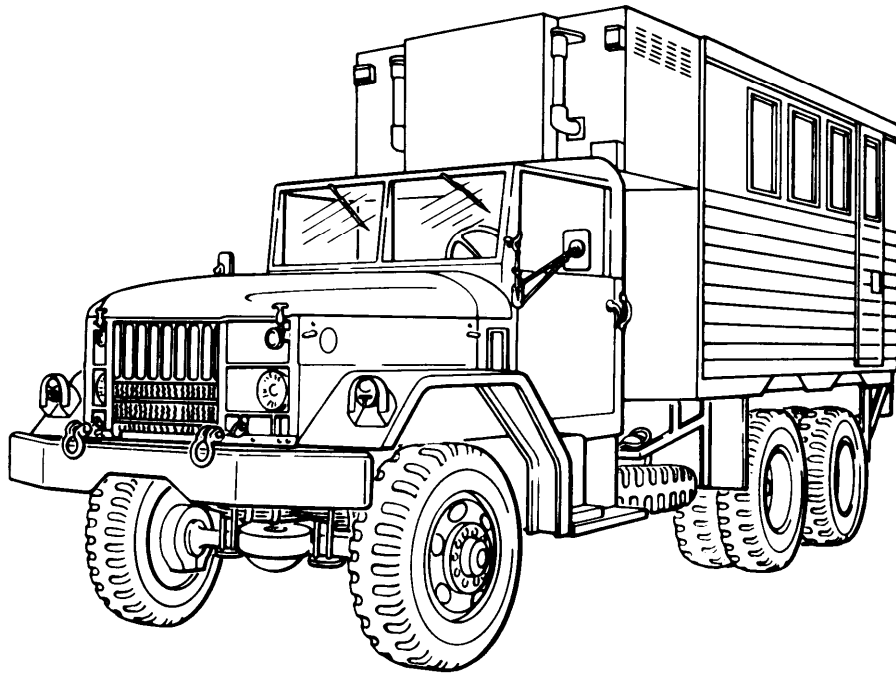
Winch: No

SHIPPING DATA

Weight: 21,209 lb

Cube: 2,508 cu ft

Ground Clearance: 11 in



TA208762

PURPOSE: To provide for housing and transporting equipment in the field.

GENERAL INFORMATION

Nomenclature: TRUCK,VAN: 2 1/2 Ton,
6x6, Expansible,W/Hydraulic Liftgate,
W/LD 465 Engine,W/E

Model Number: M292A5

Crew/Cab Capacity: 2

NSN: 2320-00-699-3746

LIN: X62203

SSN: D140080

TM: 9-2320-209-Series

CHARACTERISTICS

Horsepower: 140 bhp @ 2,600 rpm

Transmission: Manual; 5 Fwd, 1 Rev

Electrical System: 24 Volt

Tires: 9:00 x 20, 8-ply

Brakes: Air over hydraulic

Blackout Lights: Yes

PERFORMANCE DATA

Fording:

W/Kit: 72 in

WO/Kit: 30 in

Approach Angle: 47 Degrees

VEHICLE DATA

Type Classification & Date: Std B, 1965

Replaced By: M292A3

Life Expectancy: 20 Years

Payload: 5,000 lb

Towed Load Allowance: 6,000 lb

Air Transportability: Phase II

EQUIPMENT OPTIONS

Kits: Fording, Winterization, Personnel Heater, Air Conditioner

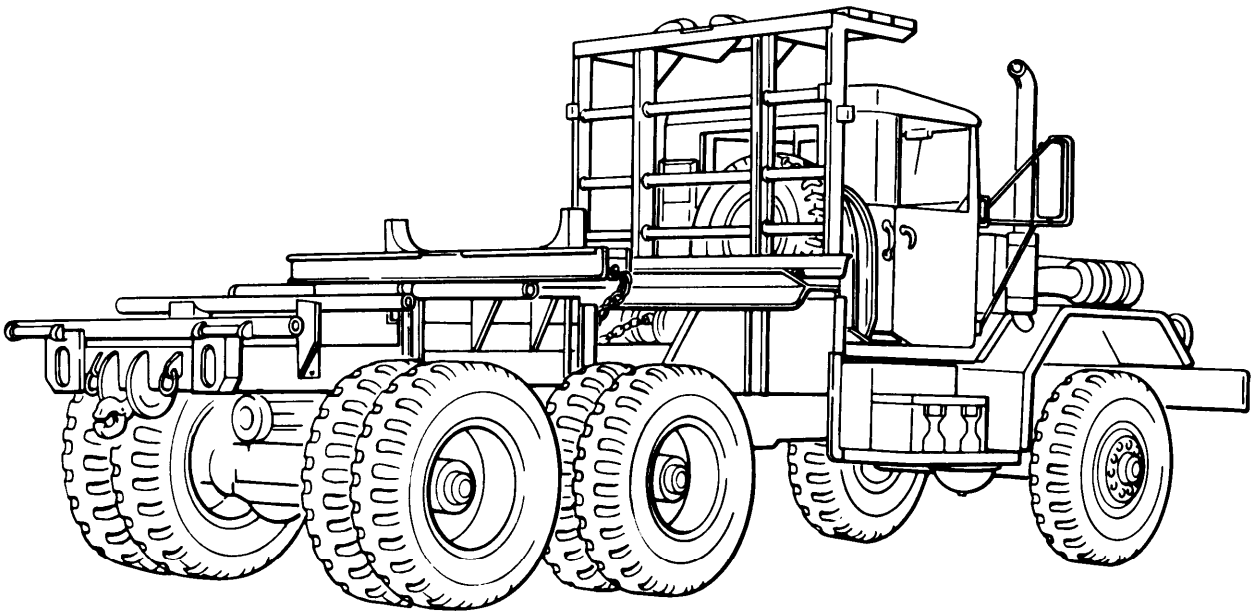
Winch: No

SHIPPING DATA

Weight: 20,020 lb

Cube: 2,485 cu ft

Ground Clearance: 11 in



HEIGHT -121
LENGTH -314 1/4
WIDTH -98

NOTE:
ALL DIMENSIONS ARE IN INCHES.

TA208753

PURPOSE: Designed for use on all types of roads, highways, and cross-country terrain in logging operations.

GENERAL INFORMATION

Nomenclature: TRUCK, BOLSTER: 5 Ton,
6x6, W/Winch, W/E

Model Number: M748A1

Crew/Cab Capacity: 2

NSN: 2320-00-880-4615

LIN: X39187

SSN: D140010

TM: 9-2320-211-Series (Nov 1977)

CHARACTERISTICS

Horsepower: 205 bhp @ 2,100 rpm

Transmission: Manual; 5 Fwd, 1 Rev

Electrical System: 24 Volt

Tires: 11:00 x 20, 12-ply

Brakes: Air over hydraulic

Blackout Lights: Yes

Fuel Tank: 78 gallons

PERFORMANCE DATA

Fording:

W/Kit: 78 in

WO/Kit: 30 in

Approach Angle: 37 Degrees

Turning Radius W/Winch: 39 ft 3 in

VEHICLE DATA

Type Classification & Date: Std B, 1969

Replaced By: M815

Life Expectancy: 20 Years

Payload: 10,000 lb

Towed Load Allowance: 15,000 lb

Air Transportability: Phase II

EQUIPMENT OPTIONS

Kits: Fording, Winterization,
Personnel Heater

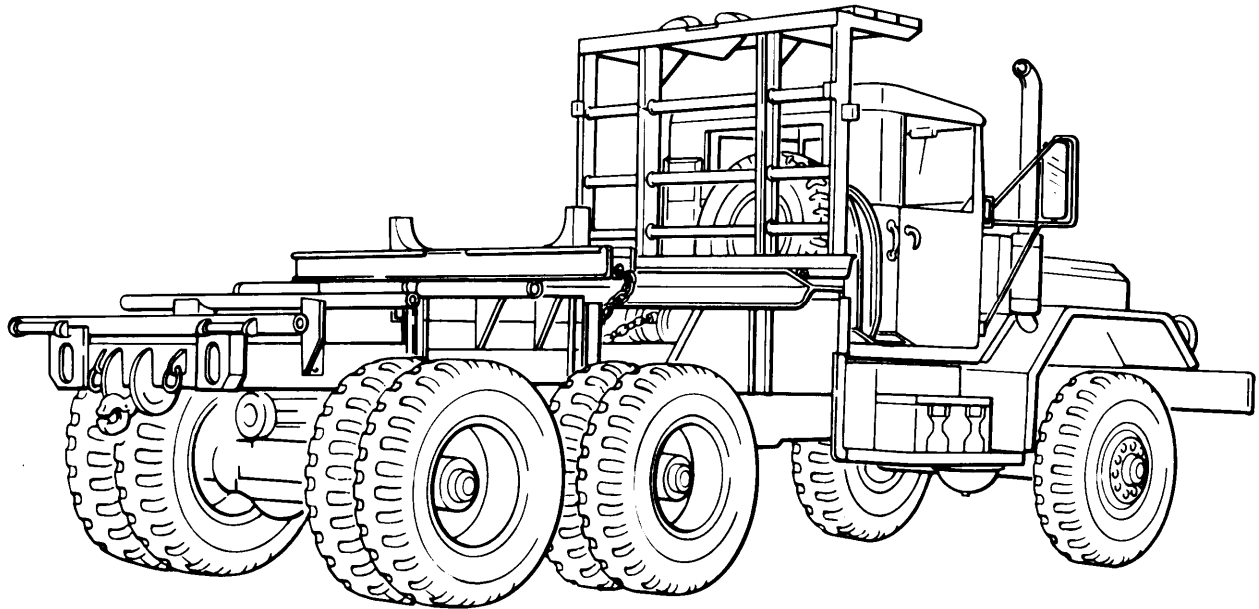
Winch: Yes (Midship)

SHIPPING DATA

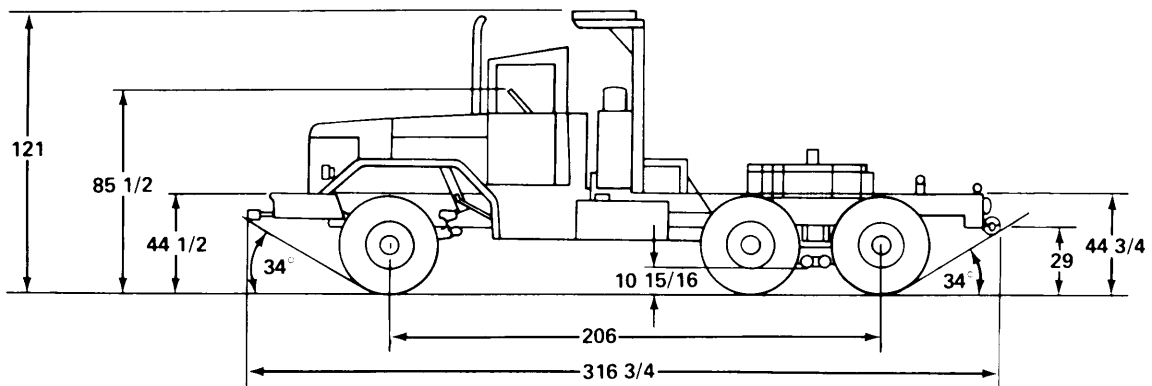
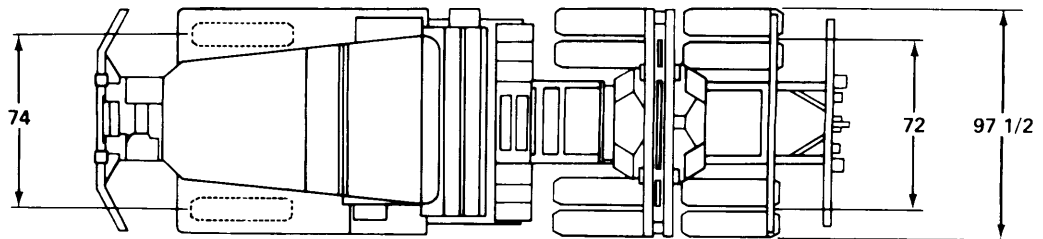
Weight: 21,264 lb

Cube: 2,156.5 cu ft

Ground Clearance: 10 1/2 in



NOTE:
ALL DIMENSIONS ARE IN INCHES.



TA208569

PURPOSE: A dual-tired, flatbed general purpose vehicle used to transport general cargo and personnel,

GENERAL INFORMATION

Nomenclature: TRUCK, BOLSTER: 5 Ton,
6x6, W/Winch, W/E

Model Number: M815

Crew/Cab Capacity: 2

NSN: 2320-00-050-8927

LIN: X39187

SSN: D140010

TM: 9-2320-260-Series

CHARACTERISTICS

Horsepower: 225 bhp @ 2,100 rpm

Transmission: Manual; 5 Fwd, 1 Rev

Electrical System: 24 Volt

Tires: 11:00 x 20, 12-ply

Brakes: Air over hydraulic

Blackout Lights: Yes

PERFORMANCE DATA

Fording:

W/Kit: 78 in

WO/Kit: 30 in

Approach Angle: 34 Degrees

VEHICLE DATA

Type Classification & Date: Std A, 1971

Replaces: M748A1

Life Expectancy: 20 Years

Payload: 10,000 lb

Towed Load Allowance: 15,000 lb

Air Transportability: Phase II, unladen

EQUIPMENT OPTIONS

Kits: Fording, Personnel Heater, Electric or Air Brake, Hard Top, Thermal Barrier, Winterization, Slave, Hot Water Personnel Heater, Front Lifting, Alternator Conversion, Windshield Washer, Fire Extinguisher, Tachograph, Seat Belt (Floating), Low Air Pressure Light

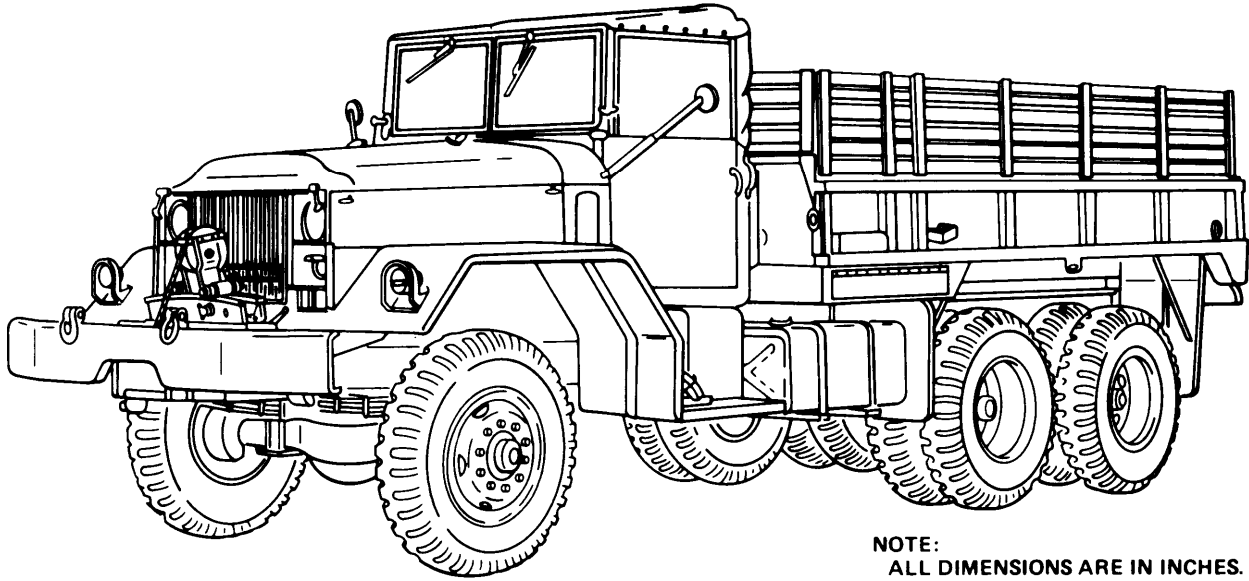
Winch: Yes

SHIPPING DATA

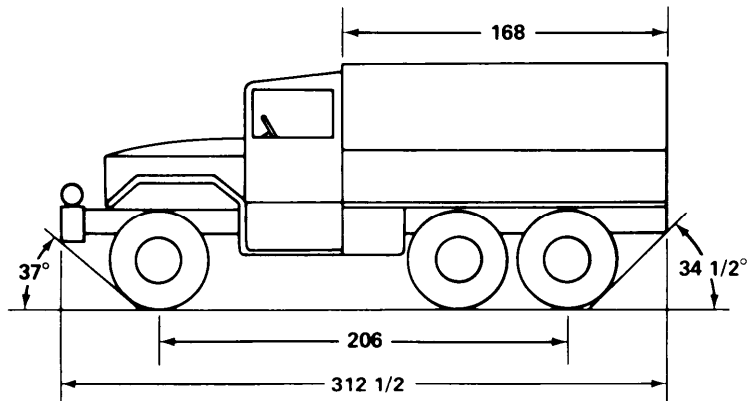
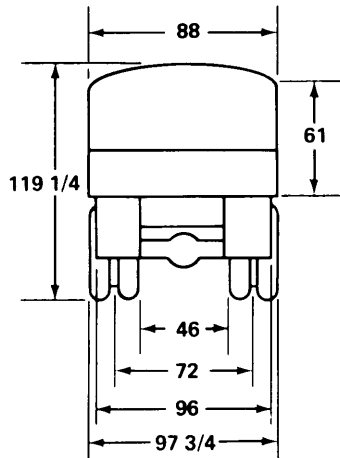
Weight: 21,420 lb

Cube: 2,108 cu ft

Ground Clearance: 10 1/2 in



NOTE:
ALL DIMENSIONS ARE IN INCHES.



TA209194

PURPOSE: A dual-tired flatbed, general-purpose vehicle used to transport general cargo and personnel.

GENERAL INFORMATION

Nomenclature: TRUCK, CARGO:
5 Ton, 6x6, LWB, W/Winch, W/E

Model Number: M54

Crew/Cab Capacity: 2

NSN: 2320-00-835-8335

LIN: X40968

SSN: D140020

TM: 9-2320-211-Series (Nov 1977)

CHARACTERISTICS

Horsepower: 196 bhp @ 2,800 rpm

Transmission: Manual; 5 Fwd, 1 Rev

Electrical System: 24 Volt

Tires: 11:00 x 20, 12-ply

Brakes: Air over hydraulic

Blackout Lights: Yes

PERFORMANCE DATA

Fording:

W/Kit: 78 in

WO/KIT: 30 in

Approach Angle: 37 Degrees

Turning Radius: 41 ft 6 in

VEHICLE DATA

Type Classification & Date: Std B, 1980

Replaced by: M813

Life Expectancy: 20 Years

Payload: 10,000 lb

Towed Load Allowance: 15,000 lb

Air Transportability: Phase II

EQUIPMENT OPTIONS

Kits: Bow and Tarp, Hot Water Personnel Heater, Arctic Winterization, Deep Water Fording, Electric Brake

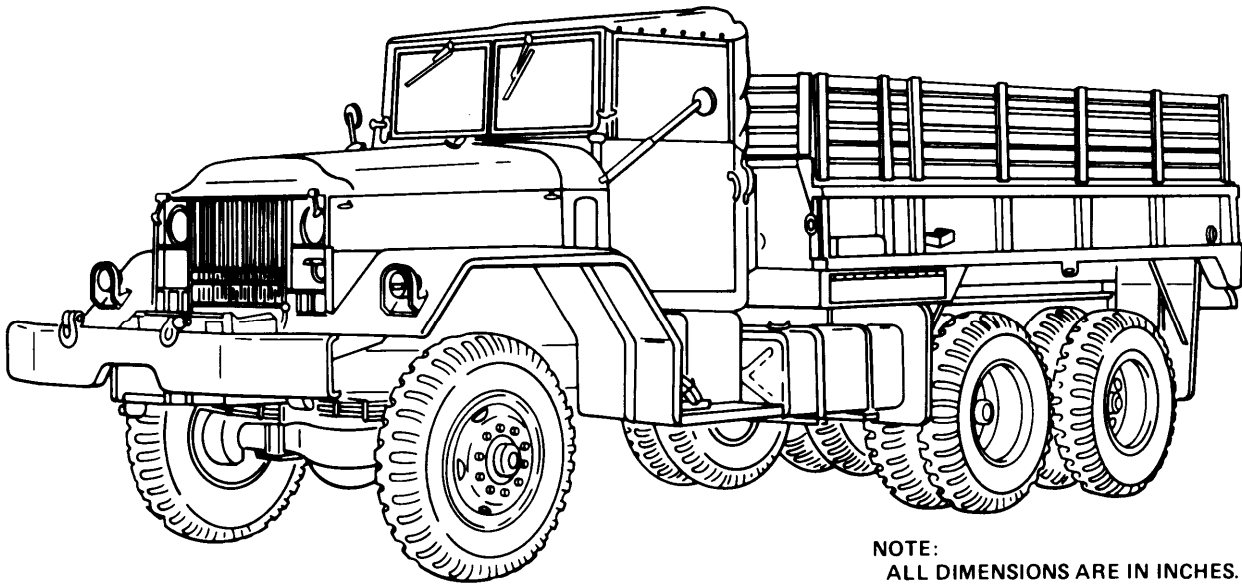
Winch: Yes

SHIPPING DATA

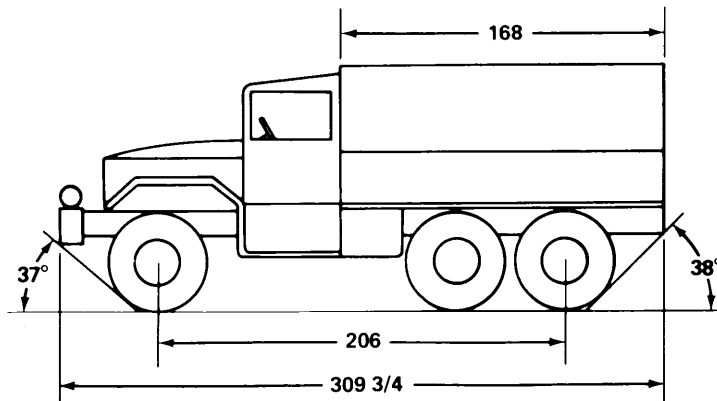
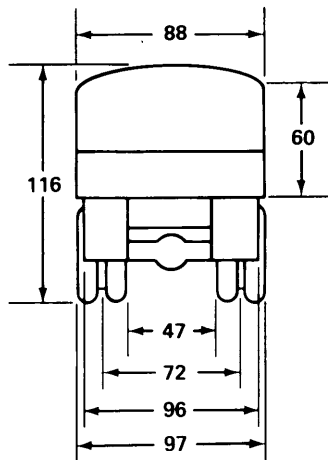
Weight: 19,945 lb

Cube: 2,046 cu ft

Ground Clearance: 10 1/2 in



NOTE:
ALL DIMENSIONS ARE IN INCHES.



TA208916

PURPOSE: A dual-tired, flatbed general purpose vehicle used to transport general cargo and personnel.

GENERAL INFORMATION

Nomenclature: TRUCK, CARGO:
5 Ton, 6x6, LWB, WO/Winch, W/E

Model Number: M54

Crew/Cab Capacity: 2

NSN: 2320-00-835-8348

LIN: X40831

SSN: D140020

TM: 9-2320-21 I-Series (Nov 1977)

CHARACTERISTICS

Horsepower: 196 bhp @ 2,800 rpm

Transmission: Manual; 5 Fwd, 1 Rev

Electrical System: 24 Volt

Tires: 11:00 x 20, 12-ply

Brakes: Air over hydraulic

Blackout Lights: Yes

PERFORMANCE DATA

Fording:

W/Kit: 78 in

WO/Kit: 30 in

Approach Angle: 37 Degrees

Turning Radius: 46 ft

VEHICLE DATA

Type Classification & Date: Std B, 1980

Replaced by: M813

Life Expectancy: 20 Years

Payload: 10,000 lb

Towed Load Allowance: 15,000 lb

Air Transportability: Phase II

EQUIPMENT OPTIONS

Kits: Bow and Tarp, Hot Water Personnel
Heater, Arctic Winterization, Deep
Water Fording, Electric Brake

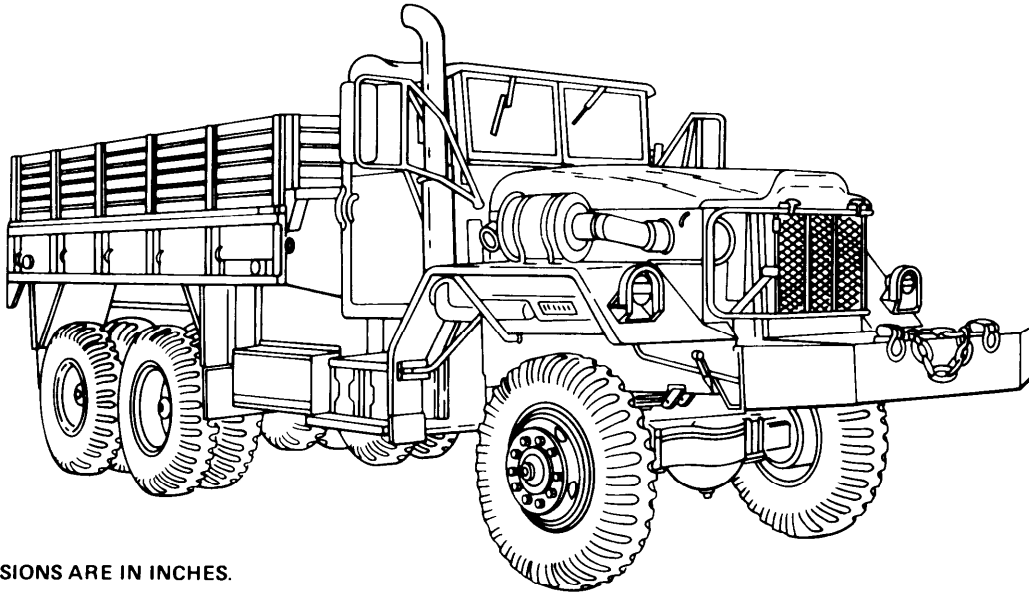
Winch: No

SHIPPING DATA

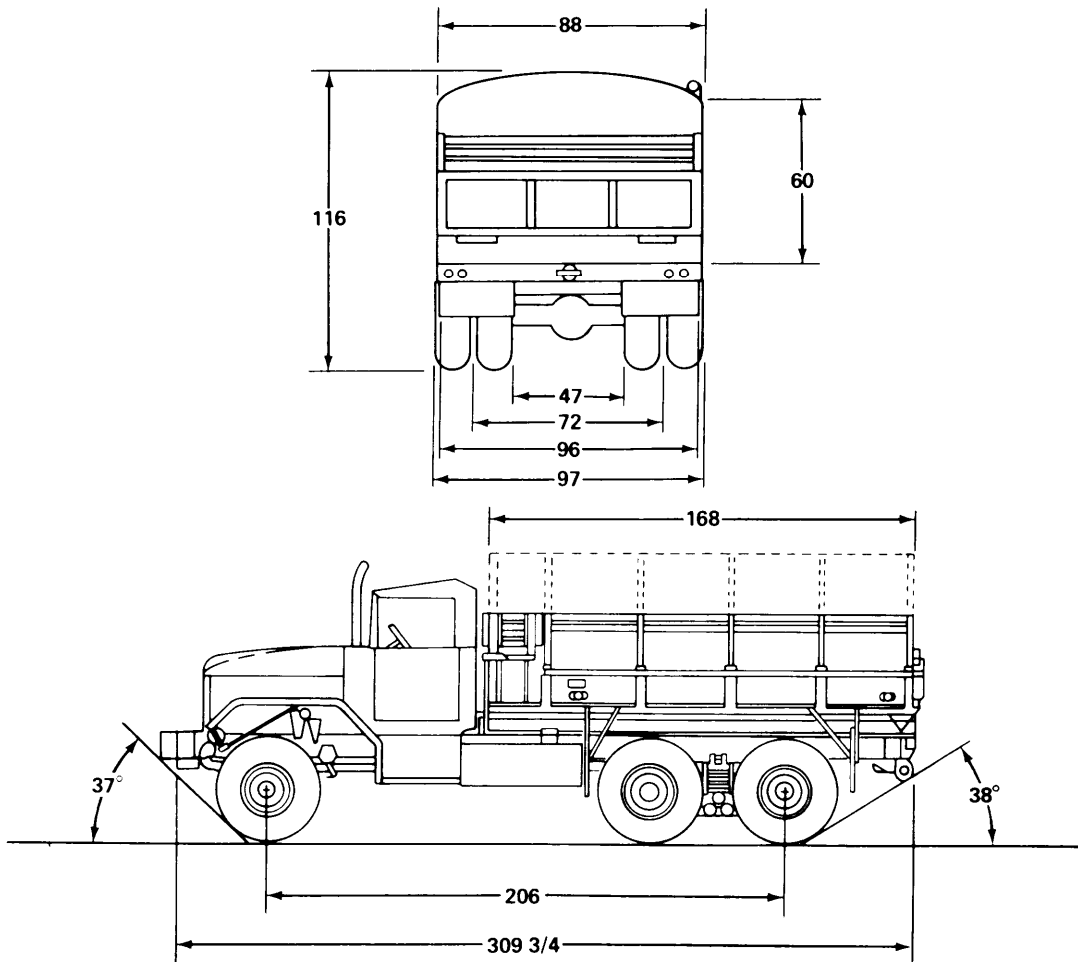
Weight: 19,230 lb

Cube: 2,046 cu ft

Ground Clearance: 10 1/2 in



NOTE:
ALL DIMENSIONS ARE IN INCHES.



PURPOSE: A dual-tired, flatbed general purpose vehicle used to transport general cargo and personnel.

GENERAL INFORMATION

Nomenclature: TRUCK, CARGO:
5 Ton, 6x6, LWB, W/Winch,
W/E

Model Number: M54A1

Crew/Cab Capacity: 2

NSN: 2320-00-086-7482

LIN: X40968

SSN: D140020

TM: 9-2320-211-Series (Nov 1977)

CHARACTERISTICS

Horsepower: 205 bhp @ 2,100 rpm

Transmission: Manual; 5 Fwd, 1 Rev

Electrical System: 24 Volt

Tires: 11:00 x 20, 12-ply

Brakes: Air over hydraulic

Blackout Lights: Yes

PERFORMANCE DATA

Fording:

W/Kit: 78 in

WO/Kit: 30 in

Approach Angle: 37 Degrees

Turning Radius: 41 ft 6 in

VEHICLE DATA

Type Classification & Date: Std B, 1963

Replaced by: M813

Life Expectancy: 20 Years

Payload: 10,000 lb

Towed Load Allowance: 15,000 lb

Air Transportability: Phase II

EQUIPMENT OPTIONS

Kits: Bow and Tarp, Hot Water Personnel
Heater, Arctic Winterization,
Deep Water Fording, Electric Brake,
Windshield Washer

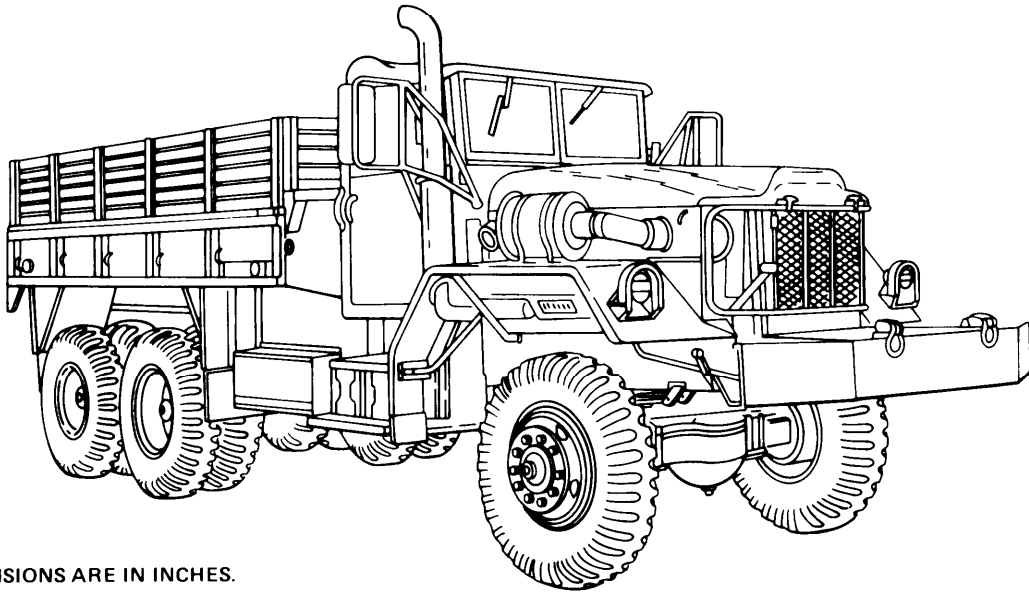
Winch: Yes

SHIPPING DATA

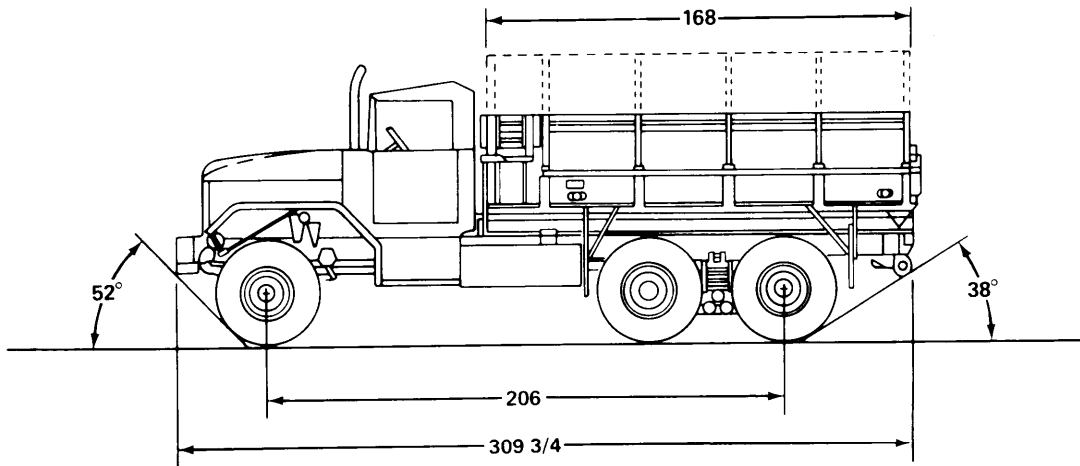
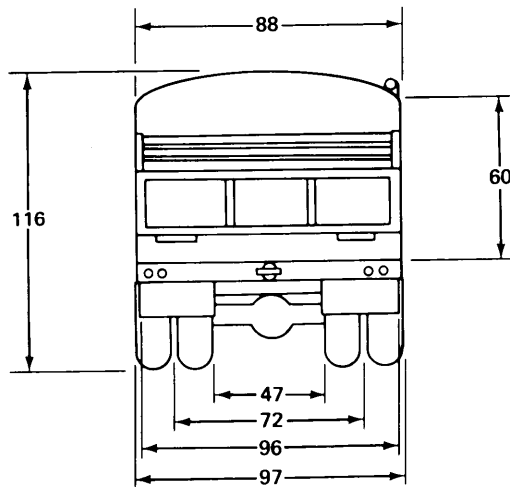
Weight: 20,535 lb

Cube: 2,046 cu ft

Ground Clearance: 10 1/2 in



NOTE:
ALL DIMENSIONS ARE IN INCHES.



TA208917

PURPOSE: To transport general cargo or personnel.

GENERAL INFORMATION

Nomenclature: TRUCK, CARGO:
5 Ton, 6x6, LWB, WO/Winch,
W/E
Model Number: M54A1

Crew/Cab Capacity: 2

NSN: 2320-00-086-7481

LIN: X40831

SSN: D140020

TM: 9-2320-211-Series (Nov 1977)

CHARACTERISTICS

Horsepower: 205 bhp @ 2,100 rpm

Transmission: Manual; 5 Fwd, 1 Rev

Electrical System: 24 Volt

Tires: 11:00 x 20, 12-ply

Brakes: Air over hydraulic

Blackout Lights: Yes

PERFORMANCE DATA

Fording:

W/Kit: 78 in

WO/Kit: 30 in

Approach Angle: 52 Degrees

Turning Radius: 46 ft

VEHICLE DATA

Type Classification & Date: Std B, 1963

Replaced by: M813

Life Expectancy: 20 Years

Payload: 10,000 lb

Towed Load Allowance: 15,000 lb

Air Transportability: Phase II

EQUIPMENT OPTIONS

Kits: Bow and Tarp, Hot Water Personnel
Heater, Arctic Winterization,
Deep Water Fording, Electric Brake,
Windshield Washer

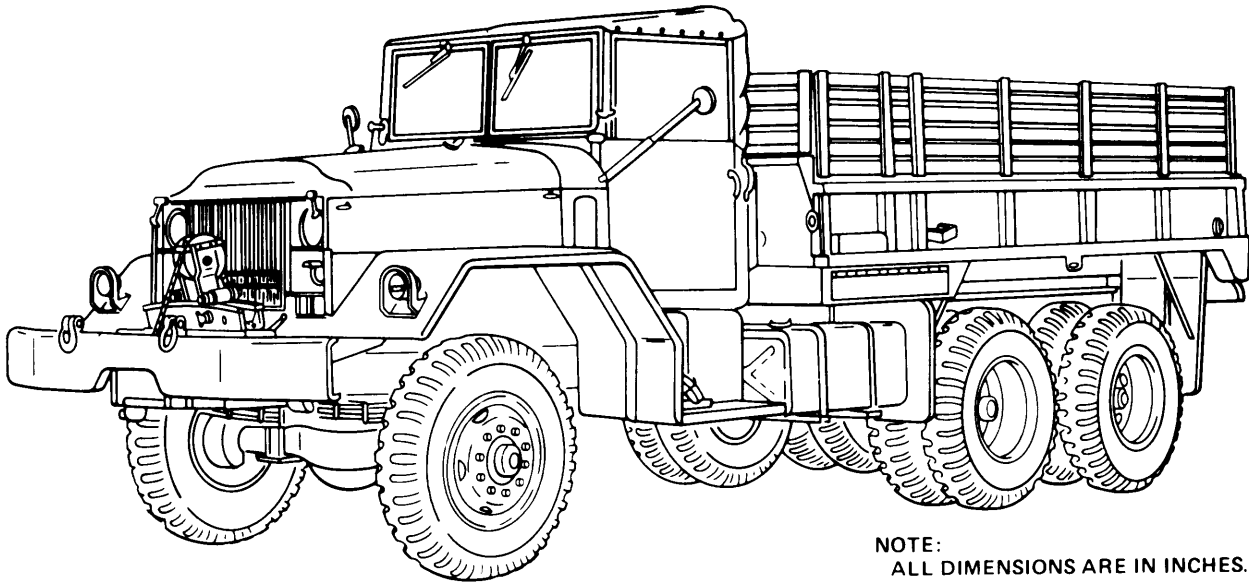
Winch: No

SHIPPING DATA

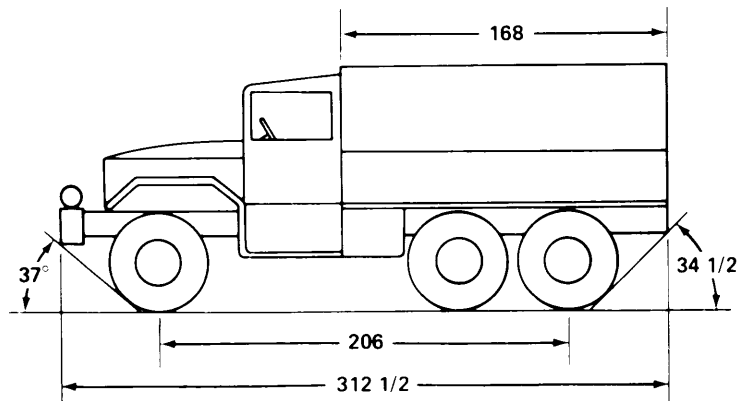
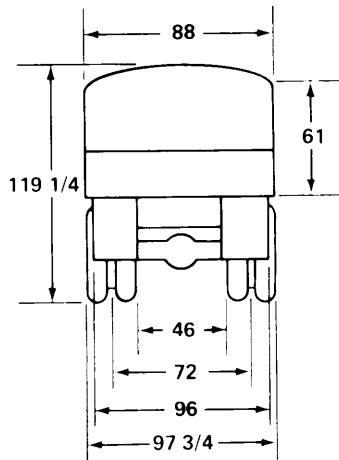
Weight: 19,460 lb

Cube: 2,046 cu ft

Ground Clearance: 10 1/2 in



NOTE:
ALL DIMENSIONS ARE IN INCHES.



TA208901

PURPOSE: To transport general cargo or personnel.

GENERAL INFORMATION

Nomenclature: TRUCK, CARGO: 5 Ton,
6x6, LWB, W/Winch, W/E

Model Number: M54A2

Crew/Cab Capacity: 2

NSN: 2320-00-055-9265

LIN: X40968

SSN: D140020

TM: 9-2320-211-Series (Nov 1977)

CHARACTERISTICS

Horsepower: 198 bhp @ 2,800 rpm

Transmission: Synchromesh; 5 Fwd, 1 Rev

Electrical System: 24 Volt

Tires: 11:00 x 20, 12-ply

Brakes: Air over hydraulic

Blackout Lights: Yes

PERFORMANCE DATA

Fording:

W/Kit: 78 in

WO/Kit: 30 in

Approach Angle: 37 Degrees

Turning Radius: 41 ft 6 in

VEHICLE DATA

Type Classification & Date: Std B, 1971

Replaced By: M813

Life Expectancy: 20 Years

Payload: 10,000 lb

Towed Load Allowance: 15,000 lb

Air Transportability:

EQUIPMENT OPTIONS

Kits: Personnel Heater, Winterization,
Thermal Barrier, Hard Top Closure, Hot
Water Personnel Heater, Fording, "A"
Frame, Air Brake, Electric Brake

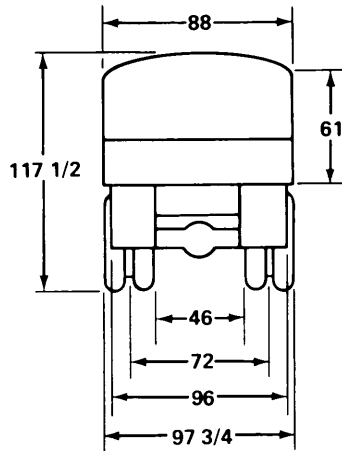
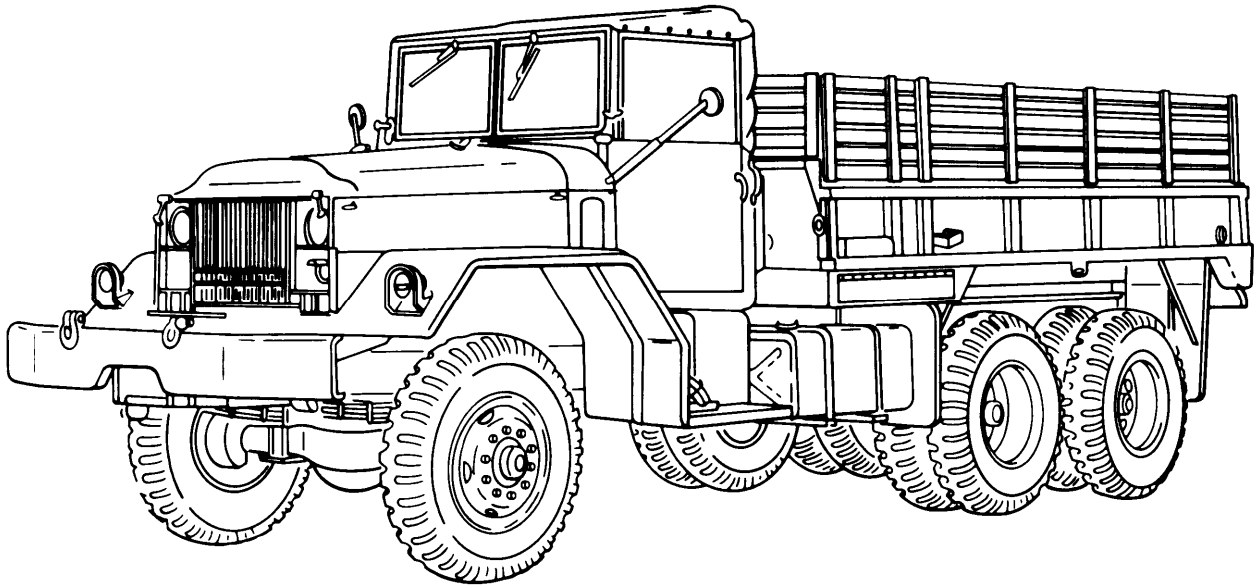
Winch: Yes

SHIPPING DATA

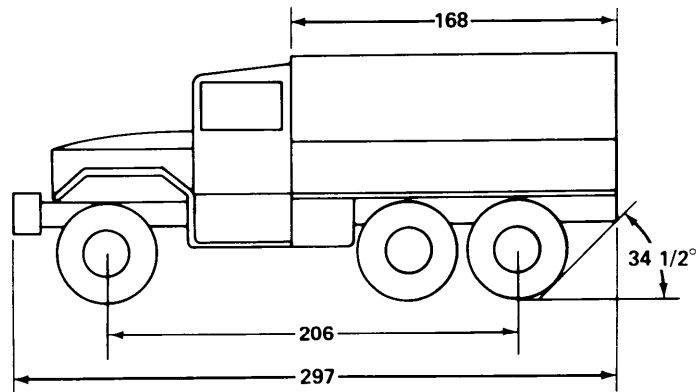
Weight: 20,400 lb

Cube: 1,500 cu ft

Ground Clearance: 10 3/4 in



NOTE:
ALL DIMENSIONS ARE IN INCHES.



TA208902

PURPOSE:**GENERAL INFORMATION**

Nomenclature: Truck, Cargo: 5 Ton,
6x6, LWB, WO/Winch, W/E

Model Number: M54A2

Crew/Cab Capacity: 2

NSN: 2320-00-055-9266

LIN: X40831

SSN: D140020

TM: 9-2320-211-Series (Nov 1977)

CHARACTERISTICS

Horsepower: 198 bhp @ 2,800 rpm

Transmission: Synchromesh; 5 Fwd, 1 Rev

Electrical System: 24 Volt

Tires: 11:00 x 20, 12-ply

Brakes: Air over hydraulic

Blackout Lights: Yes

PERFORMANCE DATA

Fording:

W/Kit: 78 in

WO/Kit: 30 in

Approach Angle: 52 1/2 Degrees

Turning Radius: 46 ft

VEHICLE DATA

Type Classification & Date: Std B, 1971

Replaced By: M813

Life Expectancy: 20 Years

Payload: 10,000 lb

Towed Load Allowance: 15,000 lb

Air Transportability:

EQUIPMENT OPTIONS

Kits: Personnel Heater, Power Plant Heater,
Thermal Barrier, Hard Top Closure, Hot
Water Personnel Heater, Fording, "A"
Frame, Air Brake, Electric Brake

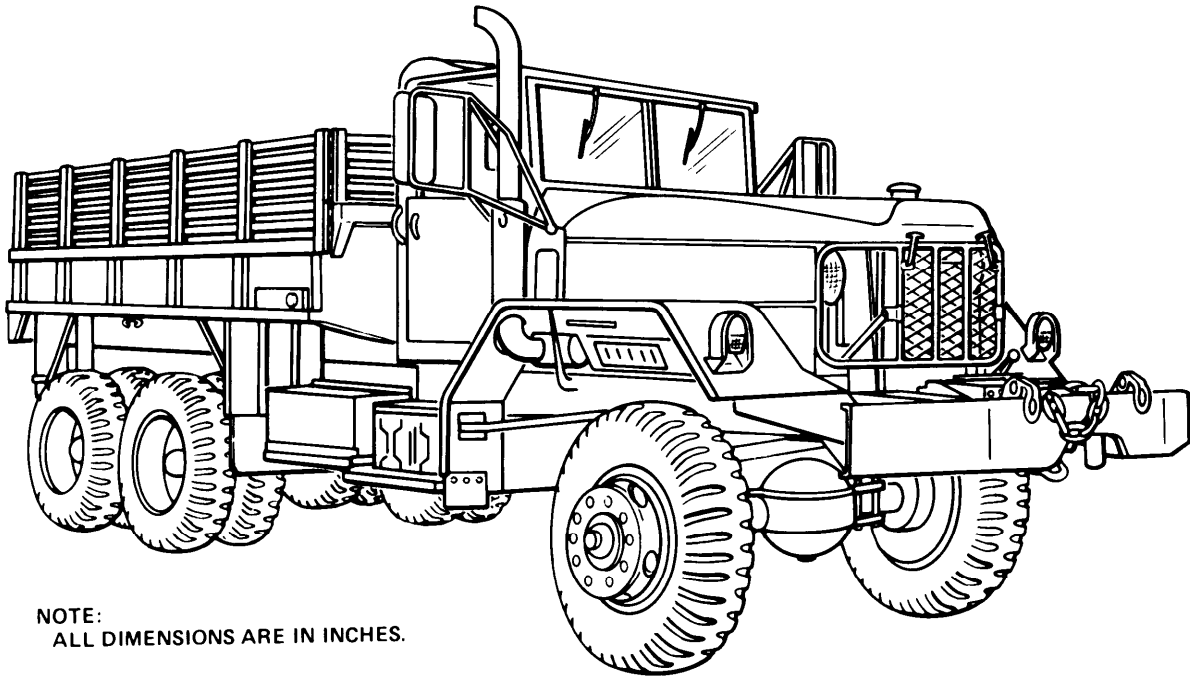
Winch: No

SHIPPING DATA

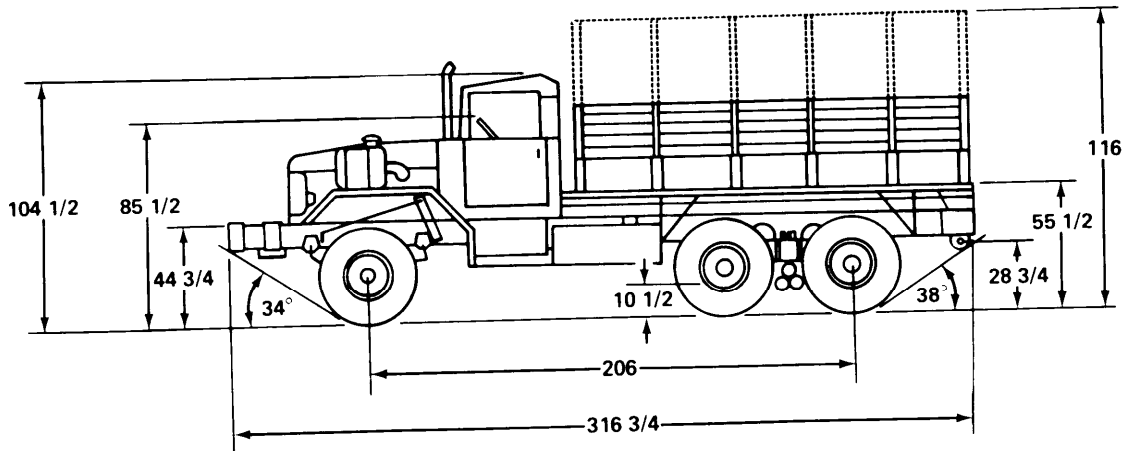
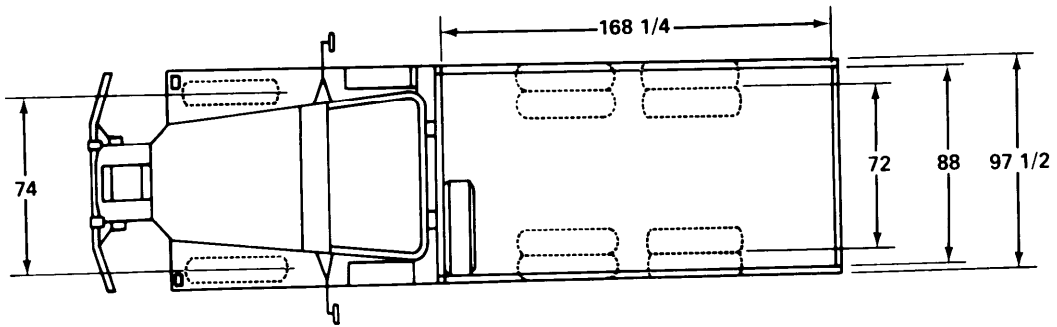
Weight: 19,540 lb

Cube: 1,432 cu ft

Ground Clearance: 10 3/4 in



NOTE:
ALL DIMENSIONS ARE IN INCHES.



TA208574

PURPOSE: Transport general cargo or personnel.

GENERAL INFORMATION

Nomenclature: TRUCK, CARGO: 5 Ton,
6x6, LWB, W/Winch, W/E

Model Number: M813

Crew/Cab Capacity: 2

NSN: 2320-00-050-8890

LIN: X40968

SSN: D140020

TM: 9-2320-260-Series

CHARACTERISTICS

Horsepower: 225 bhp @ 2,100 rpm

Transmission: Manual; 5 Fwd, 1 Rev

Electrical System: 24 Volt

Tires: 11:00 x 20, 12-ply

Brakes: Air over hydraulic

Blackout Lights: Yes

PERFORMANCE DATA

Fording:

W/Kit: 78 in

WO/Kit: 30 in

Approach Angle: 34 Degrees

VEHICLE DATA

Type Classification & Date: Std A, 1971

Replaces: M54, M54A1, M54A2

Life Expectancy: 20 Years

Payload: 10,000 lb

Towed Load Allowance: 15,000 lb

Air Transportability: Phase II, unladen

EQUIPMENT OPTIONS

Kits: Personnel Heater, Winterization
Fording, Hard Top, Thermal Barrier, "A"
Frame, Slave, Air Brake, Electric Brake,
Hot Water Personnel Heater, Front Lifting,
Cargo Tiedown, Alternator Conversion, Bow
and Tarp, Air Drop, Machine Gun Mounting,
Windshield Washer, Fire Extinguisher,
Tachograph, Seat Belt (Floating), Low Air
Pressure Warning Light

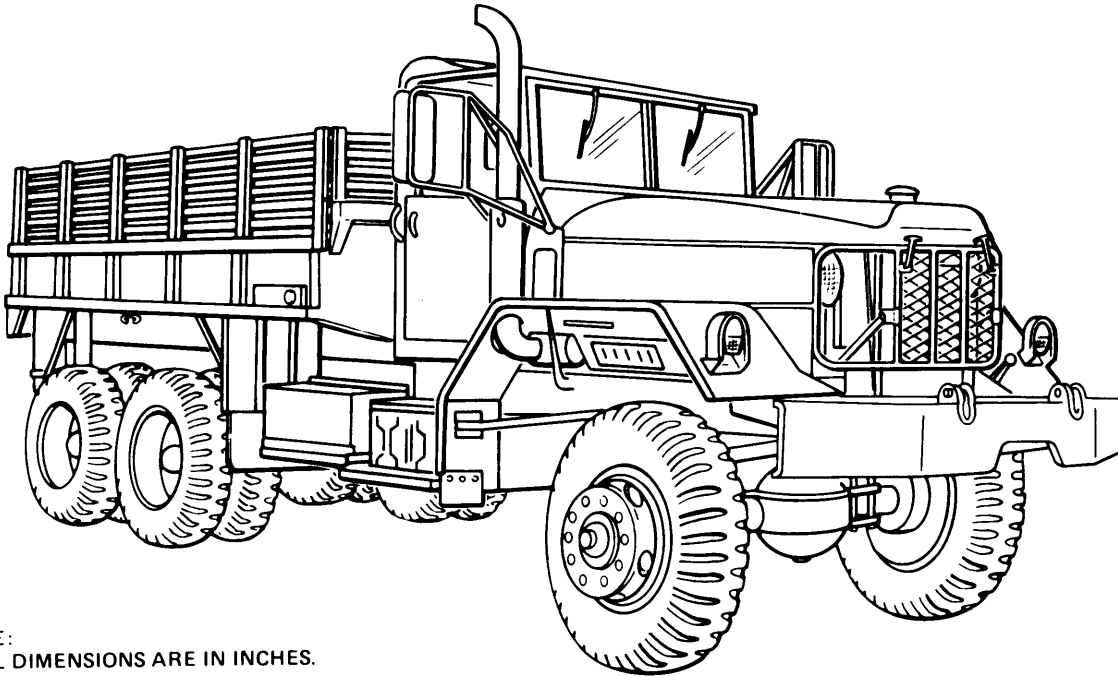
Winch: Yes

SHIPPING DATA

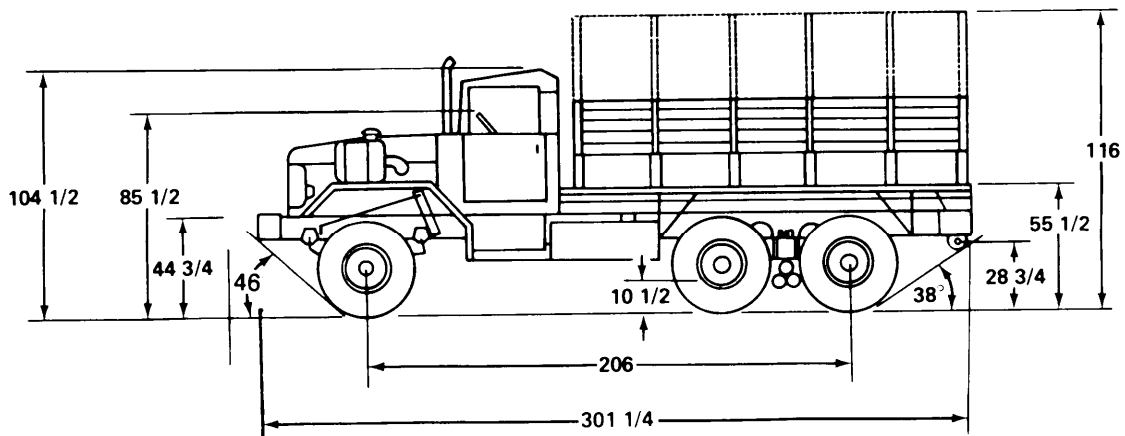
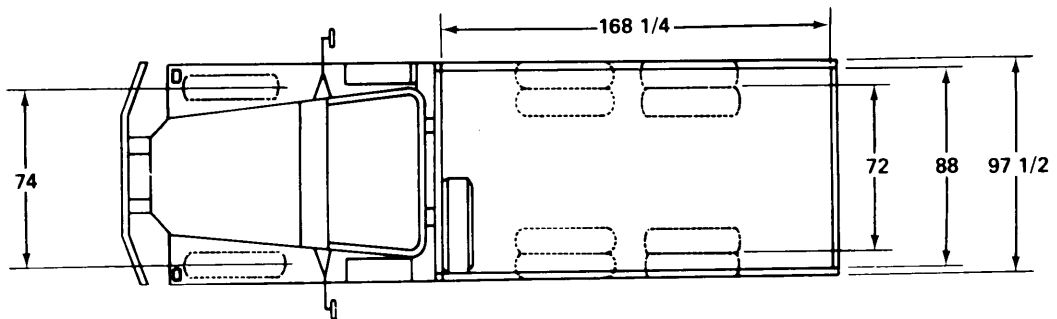
Weight: 22,126 lb

Cube: 1,545 cu ft

Ground Clearance: 10 1/2 in



NOTE:
ALL DIMENSIONS ARE IN INCHES.



TA209754

PURPOSE: Transport general cargo or personnel.

GENERAL INFORMATION

Nomenclature: TRUCK, CARGO: 5 Ton,
6x6, LWB, WO/Winch

Model Number: M813

Crew/Cab Capacity: 2

NSN: 2320-00-050-8902

LIN: X40831

SSN: D140020

TM: 9-2320-260-Series

CHARACTERISTICS

Horsepower: 225 bhp @ 2,100 rpm

Transmission: Manual; 5 Fwd, 1 Rev

Electrical System: 24 Volt

Tires: 11:00 x 20, 12-ply

Brakes: Air over hydraulic

Blackout Lights: Yes

PERFORMANCE DATA

Fording:

W/Kit: 78 in

WO/Kit: 30 in

Approach Angle: 46 Degrees

VEHICLE DATA

Type Classification & Date: Std A, 1971

Replaces: M54, M54A1, M54A2

Life Expectancy: 20 Years

Payload: 10,000 lb

Towed Load Allowance: 15,000 lb

Air Transportability: Phase II, unladen

EQUIPMENT OPTIONS

Kits: Personnel Heater, Winterization
Fording, Hard Top, Thermal Barrier, Slave,
Air or Electric Brake, Hot Water Personnel
Heater, Front Lifting, Cargo Tiedown,
Alternator Conversion, Bow and Tarp,
Airdrop, Machine Gun Mounting, Wind-
shield Washer, Fire Extinguisher,
Tachograph, Seat Belt (Floating), Low Air
Pressure Warning Light

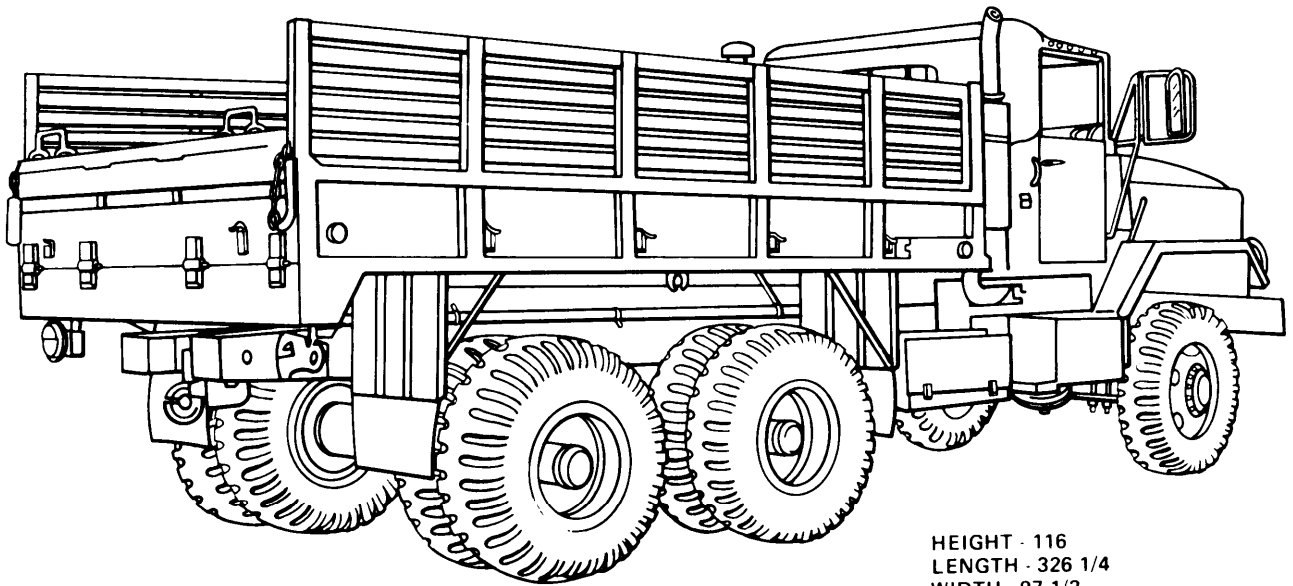
Winch: No

SHIPPING DATA

Weight: 21,461 lb

Cube: 1,470 cu ft

Ground Clearance: 10 1/2 in



HEIGHT - 116
LENGTH - 326 1/4
WIDTH - 97 1/2

NOTE:
ALL DIMENSIONS ARE IN INCHES.

TA208717

PURPOSE: To transport equipment materials and/or personnel. The same basic truck as the M923. Truck has permanent steel-welded sides. Is the preferred vehicle for use in transporting bulky payloads that may shift weight during transit.

GENERAL INFORMATION

Nomenclature: TRUCK, CARGO: 5 Ton,
6x6, LWB, WO/Winch

Model Number: M924

Crew/Cab Capacity: 3

NSN: 2320-01-047-8773

LIN: X40831

SSN: D140020

TM: 9-2320-272-Series

CHARACTERISTICS

Engine: Diesel, 6 cyl.

Horsepower: 240 bhp @ 2,100 rpm

Transmission: Automatic; 5 Fwd, 1 Rev

Electrical System: 24 Volt

Tires: 11:00 x 20, 12~ply

Brakes: Air

Blackout Lights: Yes

PERFORMANCE DATA

Fording:

W/Kit: 78 in

WO/Kit: 30 in

Approach Angle: 46 Degrees

Maximum Speed: 54 mph

Range: 300 miles

VEHICLE DATA

Type Classification & Date: Std A, 1979

Replaces/Replaced By: M813

Life Expectancy: 20 Years

Payload: 10,000 lb

Towed Load Allowance: 15,000 lb

Air Transportability: Phase II

EQUIPMENT OPTIONS

Kits: 100 Amp Alternator, Radiator and Hood Cover, Engine Coolant Heater, Fuel Burning Heater, Chemical Alarm, Deep Water Fording, Gun Ring Mounting, Machine Gun Adapter, M13 Decontamination, Bow and Tarp, Swingfire Heater

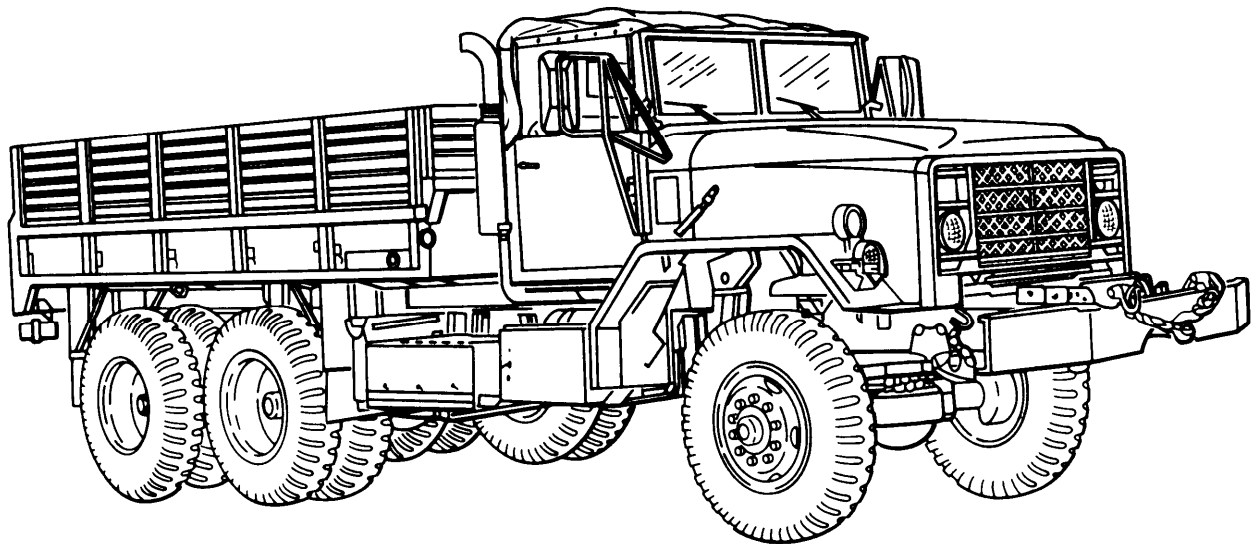
Winch: No

SHIPPING DATA

Weight: 21,528 lb

Cube: 1,569.57 cu ft

Ground Clearance: 10 1/2 in



HEIGHT -116
LENGTH -326 1/2
WIDTH -97 1/2

NOTE:
ALL DIMENSIONS ARE IN INCHES.

TA208718

PURPOSE: To transport equipment materials and/or personnel. Same basic truck as the M925. Truck has permanent steel-welded sides. Is the preferred vehicle for use in transporting bulky payloads that may shift weight during transit.

GENERAL INFORMATION

Nomenclature: TRUCK, CARGO: 5 Ton,
6x6, LWB, W/Winch, W/E

Model Number: M926

Crew/Cab Capacity: 3

NSN: 2320-01-047-8772

LIN: X40968

SSN: D140030

TM: 9-2320-272-Series

CHARACTERISTICS

Engine: Diesel, 6 cyl.

Horsepower: 240 bhp @ 2,100 rpm

Transmission: Automatic, 5 Fwd, 1 Rev

Electrical System: 24 Volt

Tires: 11:00 x 20, 12-ply

Brakes: Air

Blackout Lights: Yes

PERFORMANCE DATA

Fording:

W/Kit: 78 in

WO/Kit: 30 in

Approach Angle: 31 Degrees

Maximum Speed: 54 mph

Range: 300 miles

VEHICLE DATA

Type Classification & Date: Std A, 1979

Replaces: M813

Life Expectancy: 20 Years

Payload: 10,000 lb

Towed Load Allowance: 15,000 lb

Air Transportability: Phase II

EQUIPMENT OPTIONS

Kits: 100 Amp Alternator, Radiator and Hood Cover, Engine Coolant Heater, Fuel Burning Heater, Chemical Alarm, Deep Water Fording, Gun Ring Mounting, Machine Gun Adapter, M13 Decontamination, Bow and Tarp, "A" Frame, Swingfire Heater

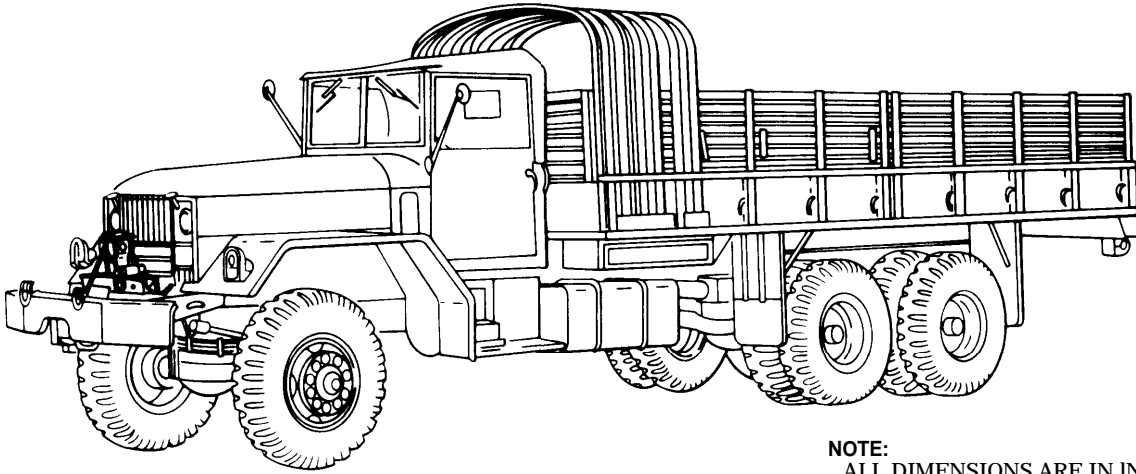
Winch: Yes

SHIPPING DATA

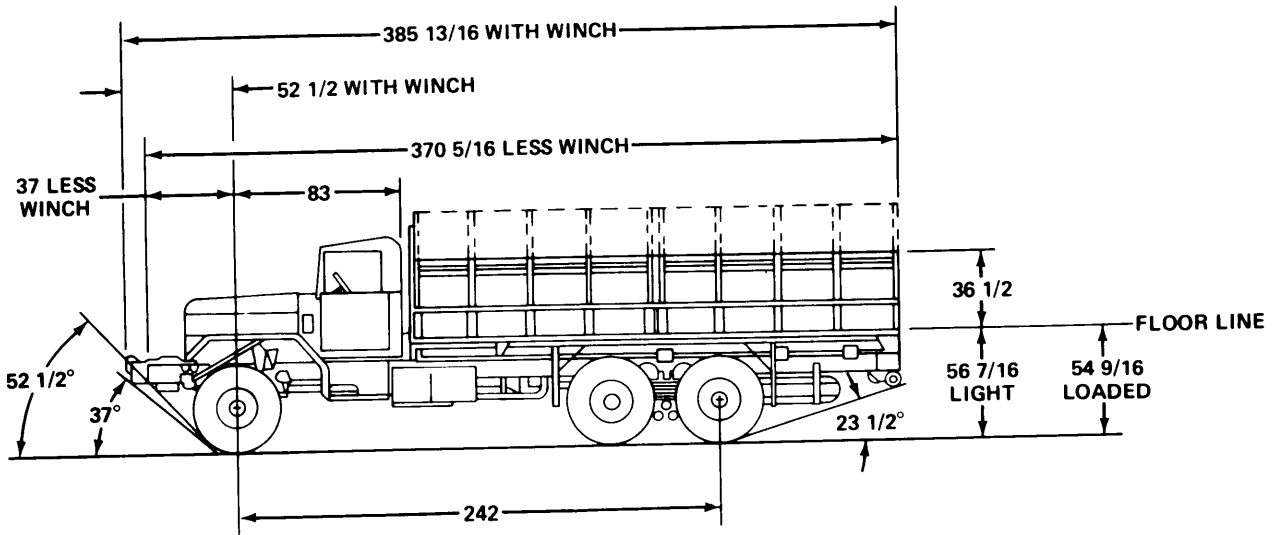
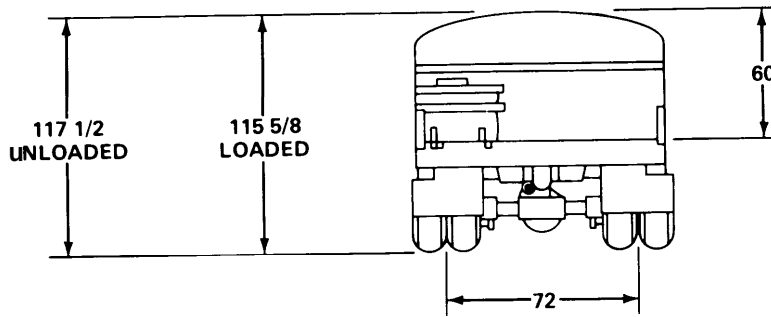
Weight: 23,000 lb

Cube: 1,680.30 cu ft

Ground Clearance: 10 1/2 in



NOTE:
ALL DIMENSIONS ARE IN INCHES



TA208920

PURPOSE: Used to transport general cargo and personnel.

GENERAL INFORMATION

Nomenclature: TRUCK, CARGO: 5 Ton,
6x6, XLWB, W/Winch, W/E

Model Number: M55

Crew/Cab Capacity: 2

NSN: 2320-00-391-0570

LIN: X41242

SSN: D140030

TM: 9-2320-21 I-Series

CHARACTERISTICS

Horsepower: 196 bhp @1 2,800 rpm

Transmission: Manual; 5 Fwd, 1 Rev

Electrical System: 24 Volt

Tires: 11:00 x 20, 12-ply

Brakes: Air over hydraulic

Blackout Lights: Yes

PERFORMANCE DATA

Fording:

W/Kit: 78 in

WO/Kit: 30 in

Approach Angle: 37 Degrees

VEHICLE DATA

Type Classification & Date: Std B, 1965

Replaced By: M814

Life Expectancy: 20 Years

Payload: 10,000 lb

Towed Load Allowance: 15,000 lb

Air Transportability: Phase ii

EQUIPMENT OPTIONS

Kits: Bow and Tarp, Hot Water Personnel Heater, Arctic Winterization, Deep Water Fording, Electric Brake

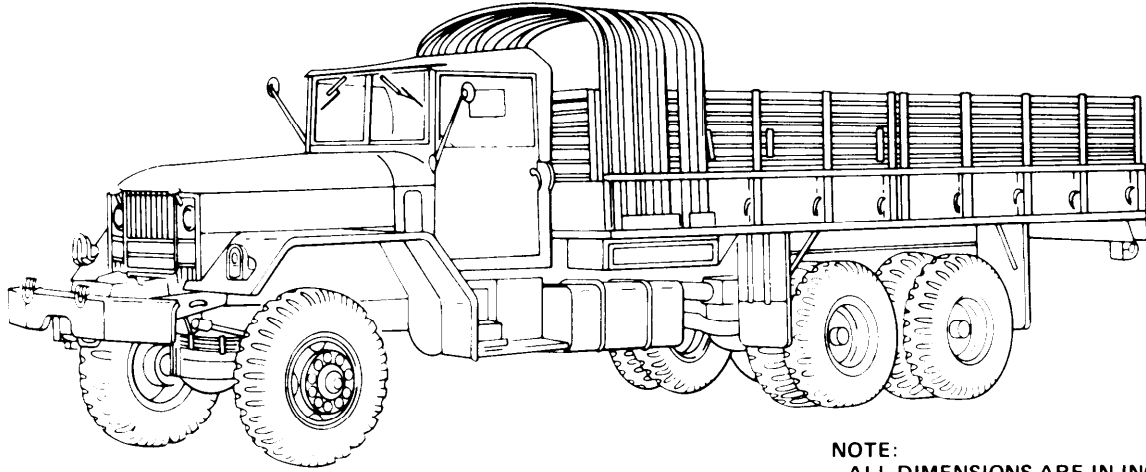
Winch: Yes

SHIPPING DATA

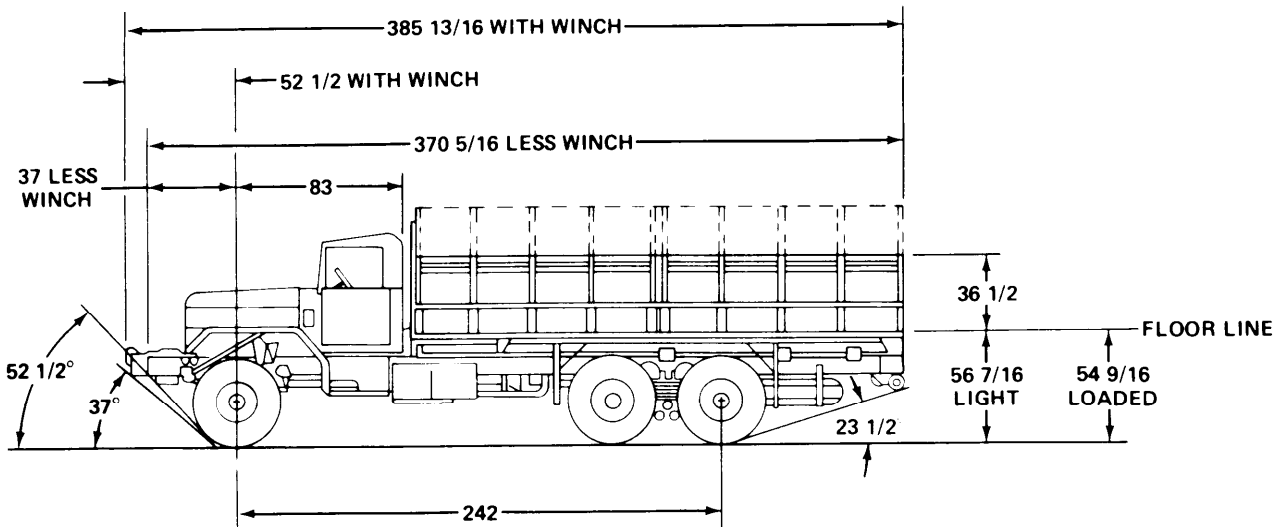
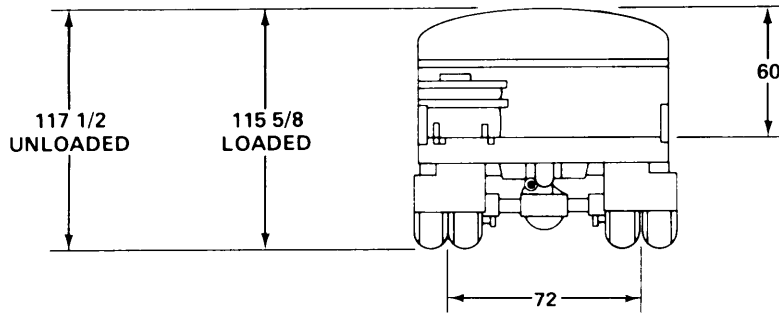
Weight: 24,064 lb

Cube: 2,544 cu ft

Ground Clearance: 10 1/2 in



NOTE:
ALL DIMENSIONS ARE IN INCHES.



TA209196

PURPOSE: Used to transport general cargo and personnel.

GENERAL INFORMATION

Nomenclature: TRUCK, CARGO: 5 Ton,
6x6, XLWB, WO/Winch, W/E

Model Number: M55

Crew/Cab Capacity: 2

NSN: 2320-00-200-1878

LIN: X41105

SSN: D140030

TM: 9-2320-21 I-Series

CHARACTERISTICS

Horsepower: 196 bhp @ 2,800 rpm

Transmission: Manual; 5 Fwd, 1 Rev

Electrical System: 24 Volt

Tires: 11:00 x 20, 12-ply

Brakes: Air over hydraulic

Blackout Lights: Yes

PERFORMANCE DATA

Fording:

W/Kit: 78 in

WO/Kit: 30 in

Approach Angle: 52 1/2 Degrees

VEHICLE DATA

Type Classification & Date: Std B, 1965

Replaced By: M814

Life Expectancy: 20 Years

Payload: 10,000 lb

Towed Load Allowance: 15,000 lb

Air Transportability: Phase II

EQUIPMENT OPTIONS

Kits: Bow and Tarp, Hot Water Personnel Heater, Arctic Winterization, Deep Water Fording, Electric Brake

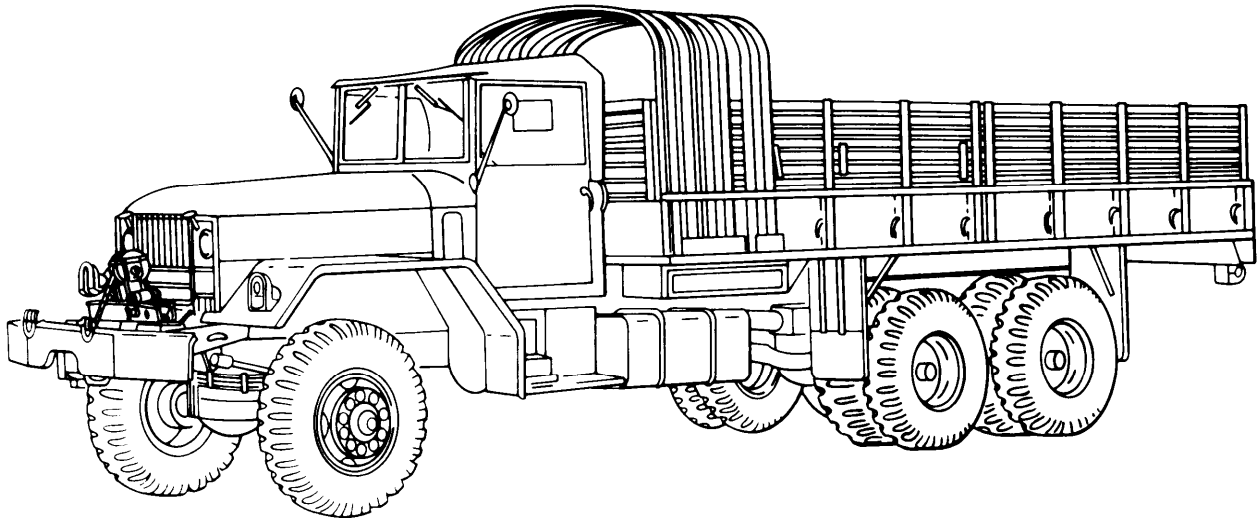
Winch: No

SHIPPING DATA

Weight: 24,064 lb

Cube: 2,544 cu ft

Ground Clearance: 10 1/2 in



NOTE:
ALL DIMENSIONS ARE IN INCHES.

SHIPPING DIMENSIONS

HEIGHT -117 1/2
LENGTH -385 15/16
WIDTH -97 1/2

PURPOSE: Used to transport general cargo and personnel.

GENERAL INFORMATION

Nomenclature: TRUCK, CARGO: 5 Ton,
6x6, XLWB, W/Winch, W/E

Model Number: M55A1

Crew/Cab Capacity: 2

NSN: 2320-00-880-4634

LIN: X41242

SSN: D140030

TM: 9-2320-21 I-Series

CHARACTERISTICS

Horsepower: 205 bhp @ 2,100 rpm

Transmission: Manual; 5 Fwd, 1 Rev

Electrical System: 24 Volt

Tires: 11:00 x 20, 12-ply

Brakes: Air over hydraulic

Blackout Lights: Yes

PERFORMANCE DATA

Fording:

W/Kit: 78 in

WO/Kit: 30 in

Approach Angle: 37 Degrees

Turning Radius: 46 ft 6 in

VEHICLE DATA

Type Classification & Date: Std B, 1969

Replaces/Replaced By: M814

Life Expectancy: 20 Years

Payload: 10,000 lb

Towed Load Allowance: 15,000 lb

Air Transportability:

EQUIPMENT OPTIONS

Kits: Bow and Tarp, Hot Water Personnel Heater, Arctic Winterization
Deep Water Fording, Electric Brake

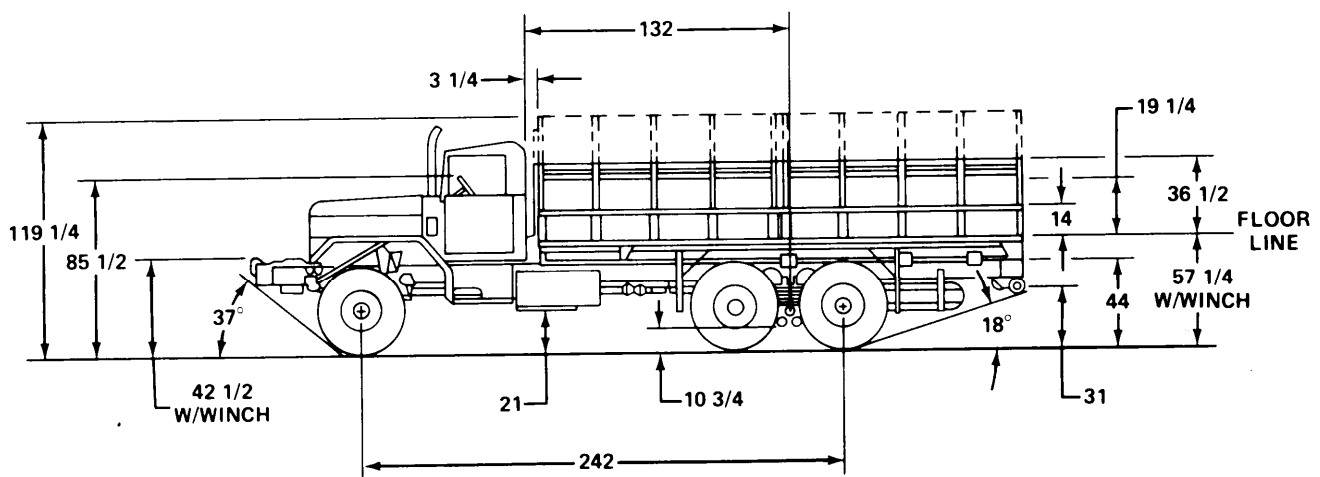
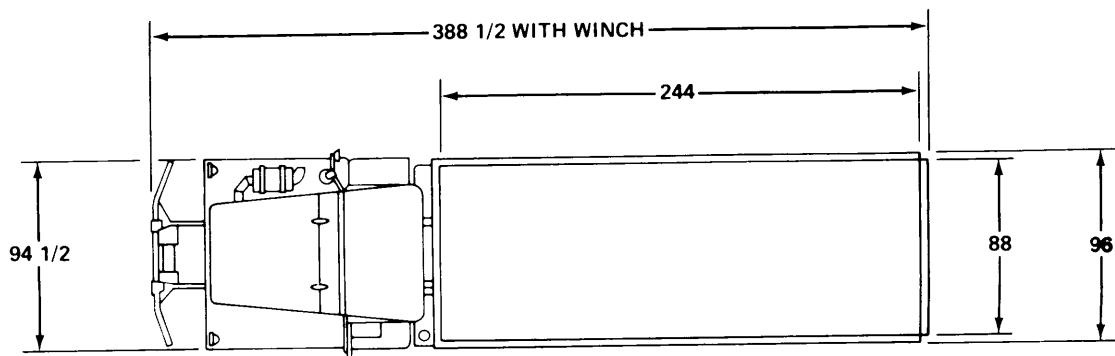
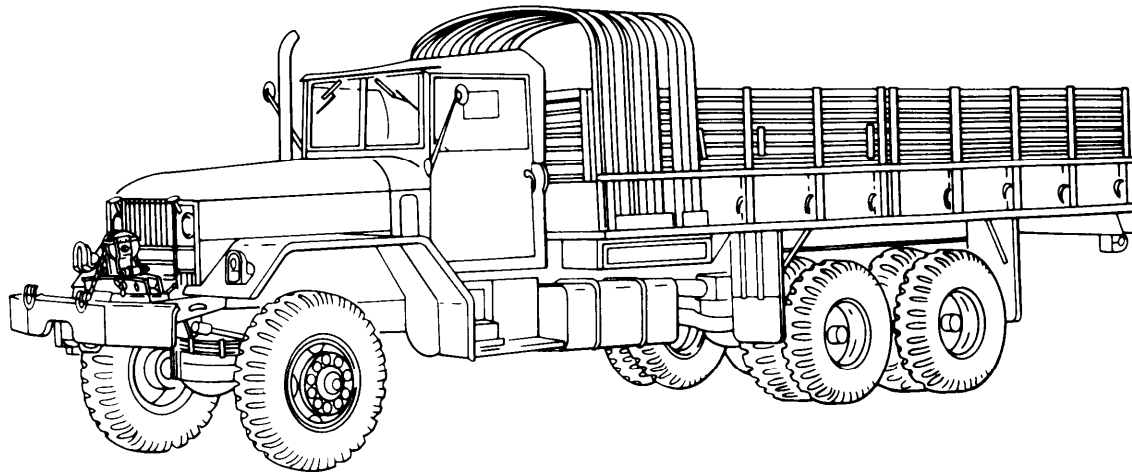
Winch: Yes

SHIPPING DATA

Weight: 23,900 lb

Cube: 1,882 cu ft

Ground Clearance: 11 1/2 in



NOTE:
ALL DIMENSIONS ARE IN INCHES.

TA208896

PURPOSE: To transport troops, military supplies and equipment.

GENERAL INFORMATION

Nomenclature: TRUCK, CARGO:
5 Ton, 6x6, XLWB, W/Winch,
W/E

Model Number: M55A2

Crew/Cab Capacity: 2

NSN: 2320-00-055-9259

LIN: X41242

SSN: D140030

TM: 9-2320-21 I-Series

CHARACTERISTICS

Horsepower: 198 bhp @ 2,800 rpm

Transmission: Synchromesh; 5 Fwd,
1 Rev

Electrical System: 24 Volt

Tires: 11:00 x 20, 12-ply

Brakes: Air over hydraulic

Blackout Lights: Yes

PERFORMANCE DATA

Fording:

W/Kit: 78 in

WO/Kit: 30 in

Approach Angle: 37 Degrees

Turning Radius: 41 ft 6 in

VEHICLE DATA

Type Classification & Date: Std B, 1971

Replaced By: M814

Life Expectancy: 20 years

Payload: 10,000 lb

Towed Load Allowance: 15,000 lb

Air Transportability:

EQUIPMENT OPTIONS

Kits: Bow and Tarp, Hot Water Personnel
Heater, Arctic Winterization, Deep Water
Fording, Electric Brake, "A" Frame, Wind-
shield Washer, Personnel Heater, Thermal
Barrier, Hard Top, Air Brake

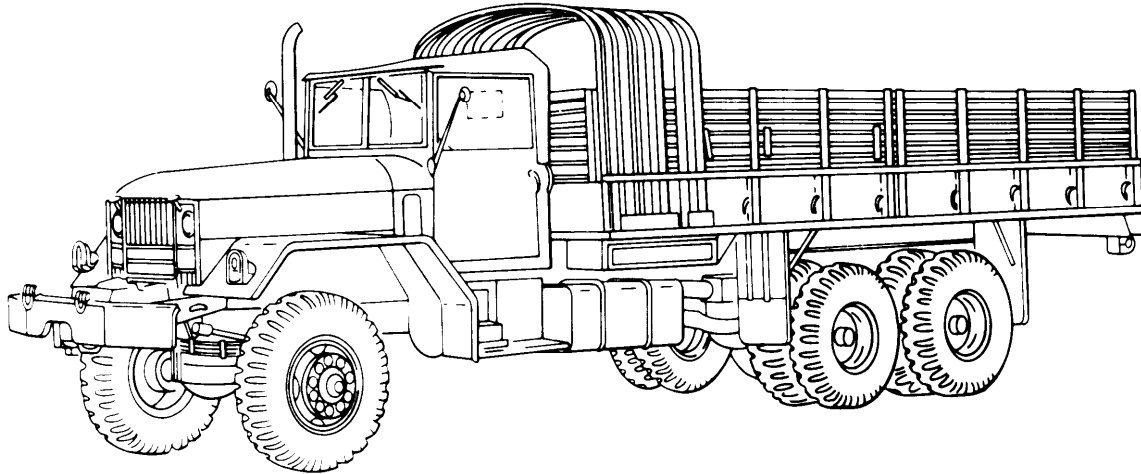
Winch: Yes

SHIPPING DATA

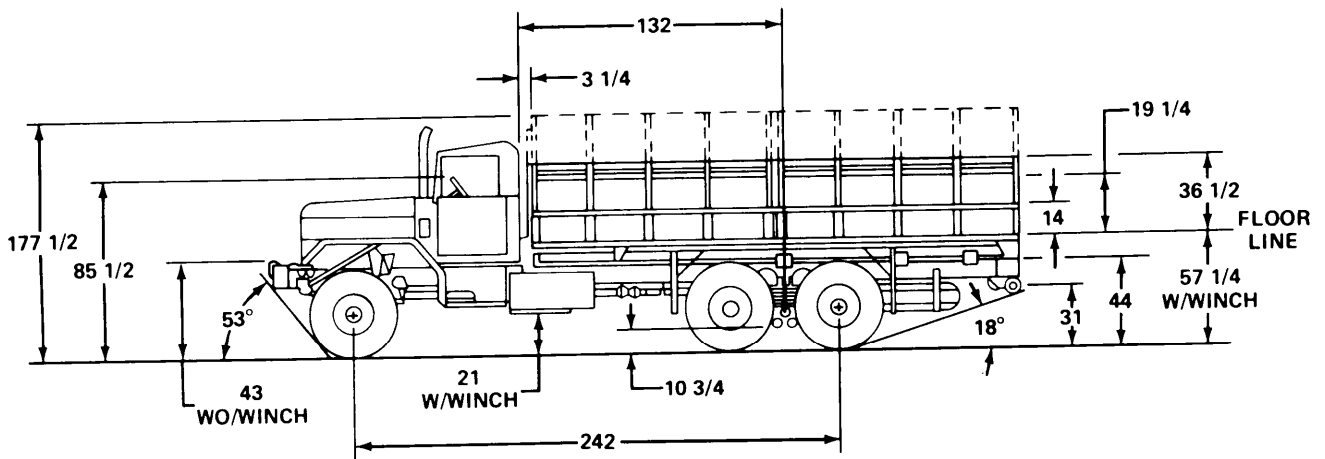
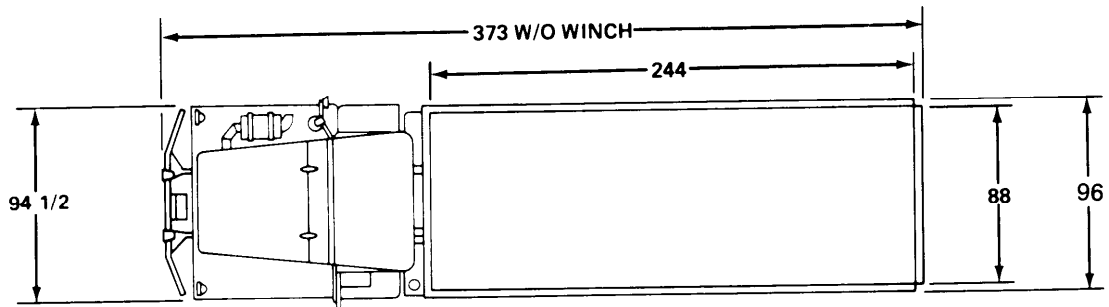
Weight: 23,900 lb

Cube: 1,882 cu ft

Ground Clearance: 11 1/2 in



NOTE:
ALL DIMENSIONS ARE IN INCHES.



TA208903

PURPOSE: To transport troops, military supplies and equipment.

GENERAL INFORMATION

Nomenclature: TRUCK, CARGO:
5 Ton, 6x6, XLWB, W/O
Winch, W/E

Model Number: M55A2

Crew/Cab Capacity:

NSN: 2320-00-073-8476

LIN: X41105

SSN: D140030

TM: 9-2320-21 I-Series

CHARACTERISTICS

Horsepower: 198 bhp @ 2,800 rpm

**Transmission: Synchromesh; 5 Fwd,
1 Rev**

Electrical System: 24 Volt

Tires: 11:00 x 20, 12-ply

Brakes: Air over hydraulic

Blackout Lights: Yes

PERFORMANCE DATA

Fording:

W/Kit: 78 in

WO/Kit: 30 in

Approach Angle: 53 Degrees

Turning Radius: 46 ft

VEHICLE DATA

Type Classification & Date: Std B, 1971

Replaced By: M814

Life Expectancy: 20 Years

Payload: 10,000 lb

Towed Load Allowance: 15,000 lb

Air Transportability:

EQUIPMENT OPTIONS

**Kits: Bow and Tarp, Hot Water Personnel
Heater, Arctic Winterization, Deep Water
Fording, Electrical Brake, Windshield
Washer, Personnel Heater, Thermal
Barrier, Hard Top, Air Brake**

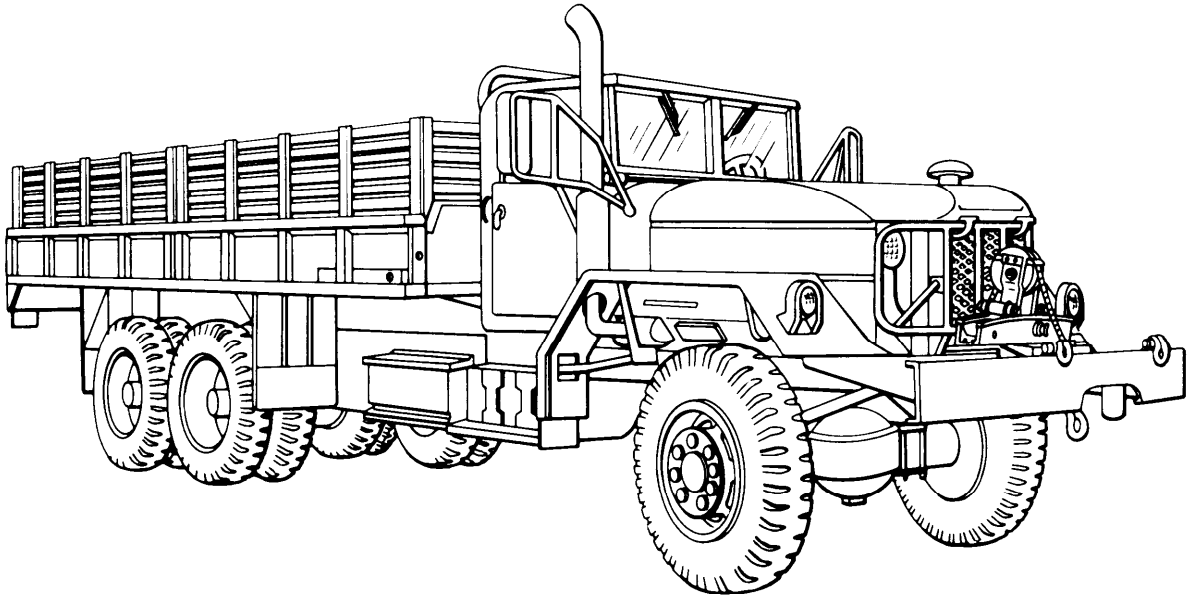
Winch: No

SHIPPING DATA

Weight: 23,040 lb

Cube: 1,800 cu ft

Ground Clearance: 10 3/4 in



PURPOSE: Transport general cargo or personnel.

GENERAL INFORMATION

Nomenclature: TRUCK, CARGO: 5 Ton,
6x6, XLWB, W/Winch, W/E

Model Number: M814

Crew/Cab Capacity: 2

NSN: 2320-00-050-8987

LIN: X41242

SSN: D140030

TM: 9-2320-260-Series

CHARACTERISTICS

Horsepower: 225 bhp @ 2,100 rpm

Transmission: Manual; 5 Fwd, 1 Rev

Electrical System: 24 Volt

Tires: 11:00 x 20, 12-ply

Brakes: Air over hydraulic

Blackout Lights: Yes

PERFORMANCE DATA

Fording:

W/Kit: 78 in

WO/Kit: 30 in

Approach Angle: 34 Degrees

Maximum Speed: 52 mph

Cruising Range: 300 miles (loaded)

VEHICLE DATA

Type Classification & Date: Std A, 1971

Replaces: M55, M55A1, M55A2

Life Expectancy: 20 Years

Payload: 10,000 lb

Towed Load Allowance: 15,000 lb

Air Transportability: Phase 11, unladen

EQUIPMENT OPTIONS

Kits: Fording, Personnel Heater, Electric or Air Brake, Hard Top, Winterization, Thermal Barrier, "A" Frame, Slave, Hot Water Personnel Heater, Tarpaulin Extension, Front Lifting, Cargo Tiedown, Alternator Conversion, Bow and Tarp, Air Drop, Machine Gun Mounting, Windshield Washer, Fire Extinguisher, Tachograph, Seat Belt (Floating), Low Air Pressure Warning Light

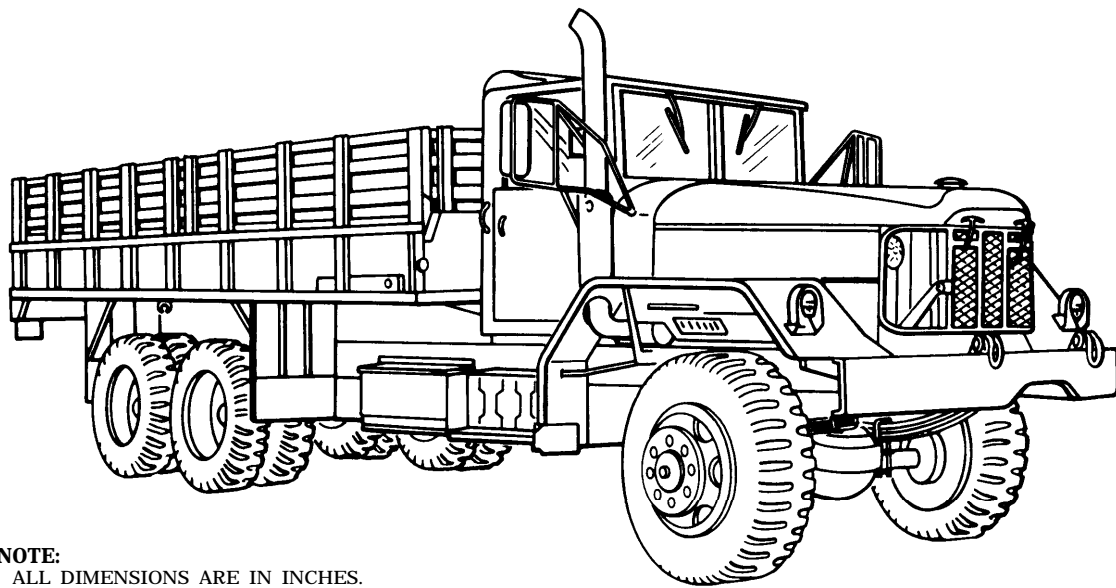
Winch: Yes

SHIPPING DATA

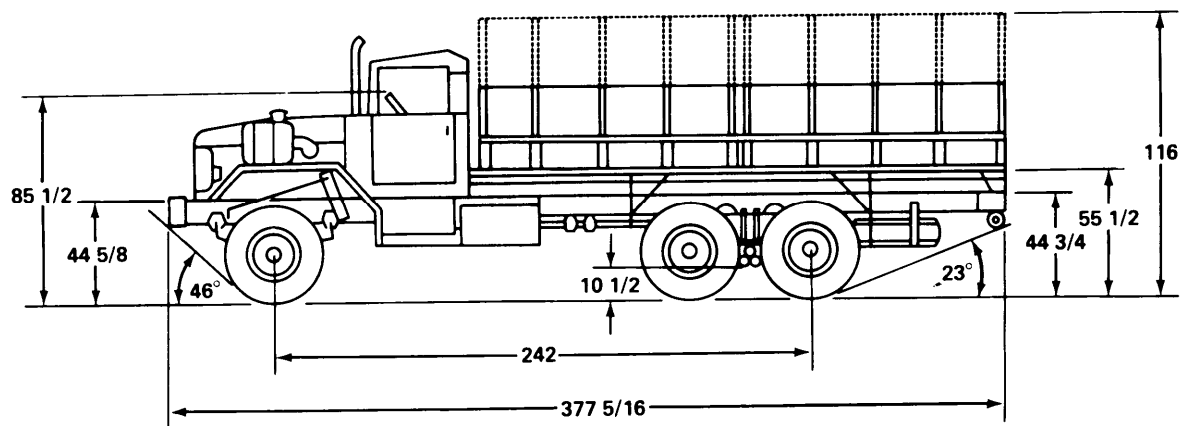
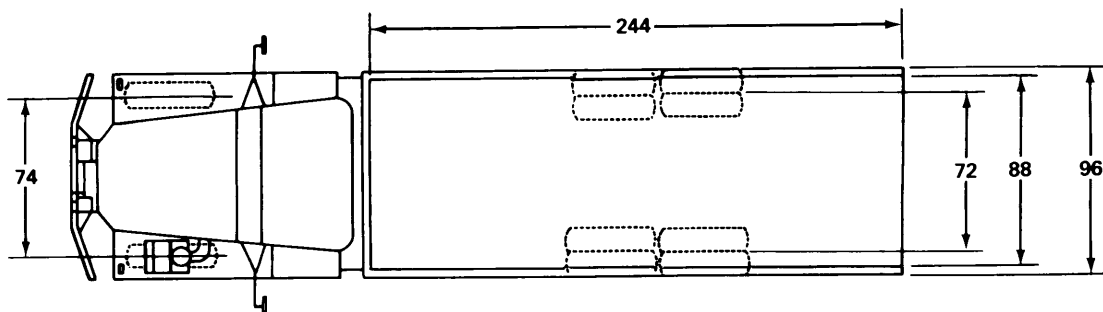
Weight: 25,574 lb

Cube: 1,878 cu ft

Ground Clearance: 10 1/2 in



NOTE:
ALL DIMENSIONS ARE IN INCHES.



TA208575

PURPOSE: To transport general cargo or personnel.

GENERAL INFORMATION

Nomenclature: TRUCK, CARGO: 5 Ton,
6x6, XLWB, WO/Winch, W/E

Model Number: M814

Crew/Cab Capacity: 2

NSN: 2320-00-050-8988

LIN: X41105

SSN: D140030

TM: 9-2320-260-Series

CHARACTERISTICS

Horsepower: 225 bhp @ 2,100 rpm

Transmission: Manual; 5 Fwd, 1 Rev

Electrical System: 24 Volt

Tires: 11:00 x 20, 12-ply

Brakes: Air over hydraulic

'Blackout Lights: Yes

PERFORMANCE DATA

Fording:

W/Kit: 78 in

WO/Kit: 30 in

Approach Angle: 46 Degrees

Maximum Speed: 52 mph

Cruising Range: 300 miles (loaded)

VEHICLE DATA

Type Classification & Date: Std A, 1971

Replaces: M55, M55A1, M55A2

Life Expectancy: 20 Years

Payload: 10,000 lb

Towed Load Allowance: 15,000 lb

Air Transportability: Phase II

EQUIPMENT OPTIONS

Kits: Fording, Personnel Heater, Electric or Air Brake, Hard Top, Winterization, Thermal Barrier, Slave, Hot Water Personnel Heater, Tarpaulin Extension, Front Lifting, Cargo Tiedown, Alternator Conversion, Bow and Tarp, Air Drop, Machine Gun Mounting, Windshield Washer, Fire Extinguisher, Tachograph, Seat Belt (Floating), Low Air Pressure Warning Light

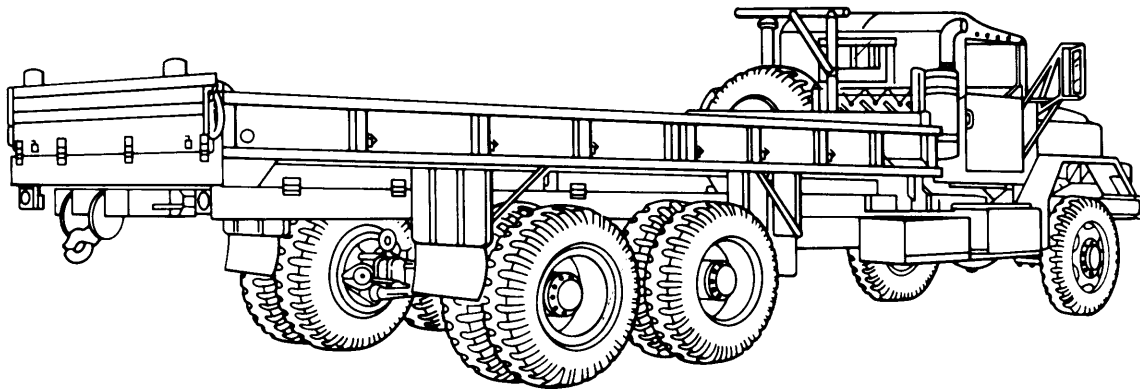
Winch: No

SHIPPING DATA

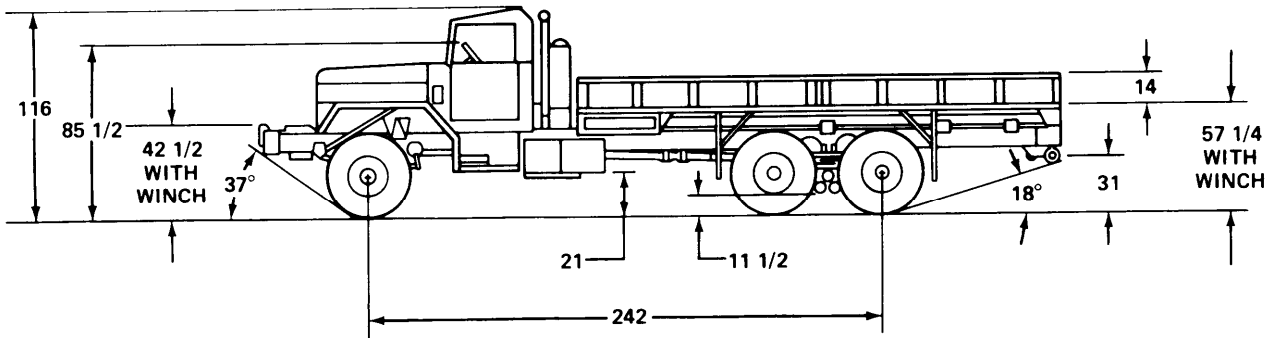
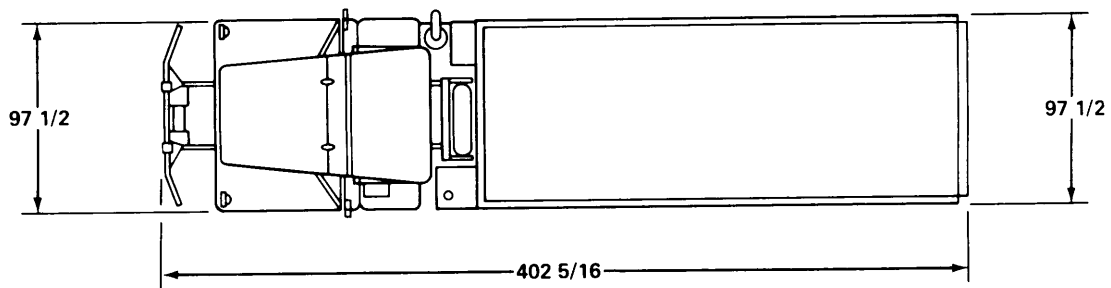
Weight: 24,909 lb

Cube: 1,825 cu ft

Ground Clearance: 10 1/2 in



NOTE:
ALL DIMENSIONS ARE IN INCHES.



TA208892

PURPOSE: To transport equipment, materials and personnel.

GENERAL INFORMATION

Nomenclature: TRUCK, CARGO:
5 Ton, 6x6, XLWB, W/Winch,
W/E

Model Number: M927

Crew/Cab Capacity: 3

NSN: 2320-01-047-8770

LIN: X41242

SSN: D140030

TM: 9-2320-272-Series

CHARACTERISTICS

Engine: Diesel, 6 cyl.

Horsepower: 240 bhp @ 2,100 rpm

Transmission: Automatic; 5 Fwd 1 Rev

Electrical System: 24 Volt

Tires: 11:00 x 20

Brakes: Air

Blackout Lights: Yes

PERFORMANCE DATA

Fording:

W/Kit: 78 in

WO/Kit: 30 in

Approach Angle:

Maximum Speed: 54 mph

Range: 300 miles

VEHICLE DATA

Type Classification & Date: Std A, 1979

Replaces: M814

Life Expectancy: 20 Years

Payload: 10,000 lb

Towed Load Allowance: 15,000 lb

Air Transportability: Phase II

EQUIPMENT OPTIONS

Kits: Bow and Tarp, Fording,
Winterization, Troop Seat

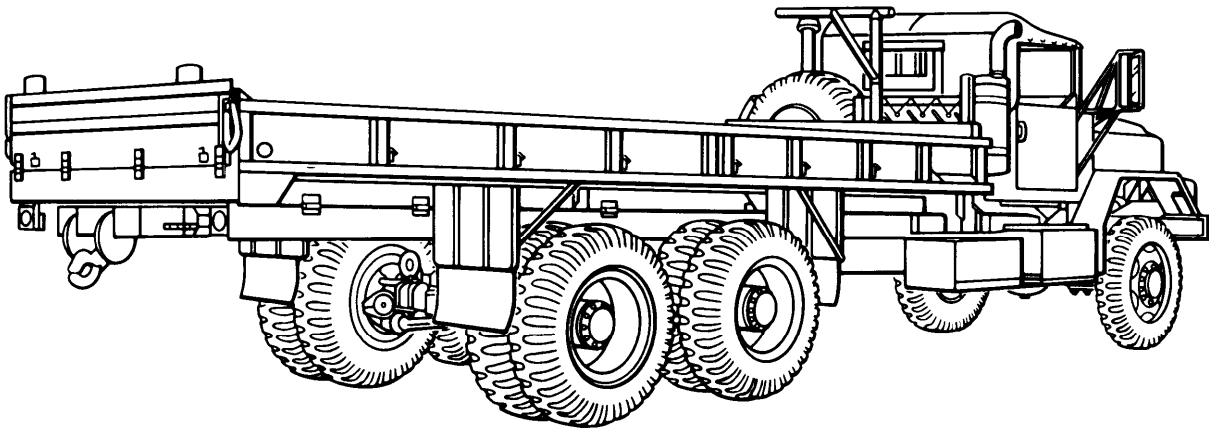
Winch: Yes

SHIPPING DATA

Weight: 25,588 lb (W/Winch)

Cube: 1,961.30 cu ft

Ground Clearance: 11 1/2 in



TA208719

PURPOSE: To transport equipment, materials and/or personnel. The M927 and M928 extra long wheel base (XLWB) cargo trucks have the same rated load capacities of the M923, M924, M925, and M926. However, the truck beds are 76 inches longer. This provides each vehicle with 194 more cubic feet of cargo space for transporting equipment and materials that take up more cargo space per pound.

GENERAL INFORMATION

Nomenclature: TRUCK, CARGO: 5 Ton,
6x6, XLWB, WO/Winch, W/E

Model Number: M927

Crew/Cab Capacity: 3

NSN: 2320-01-047-8771

LIN: X41105

SSN: D140030

TM: 9-2320-272-Series

VEHICLE DATA

Type Classification & Date: Std A, 1979

Replaces: M814

Life Expectancy: 20 Years

Payload: 10,000 lb

Towed Load Allowance: 15,000 lb

Air Transportability: Phase II

CHARACTERISTICS

Horsepower: 240 bhp @ 2,100 rpm

Transmission: Automatic; 5 Fwd, 1 Rev

Electrical System: 24 Volt

Tires: 11:00 x 20, 12-ply

Brakes: Air

Blackout Lights: Yes

PERFORMANCE DATA

Fording:

W/Kit: 78 in

WO/Kit: 30 in

Approach Angle: 46 Degrees

EQUIPMENT OPTIONS

Kits: Bow and Tarp, Fording, Winter-
ization, Troop Seat

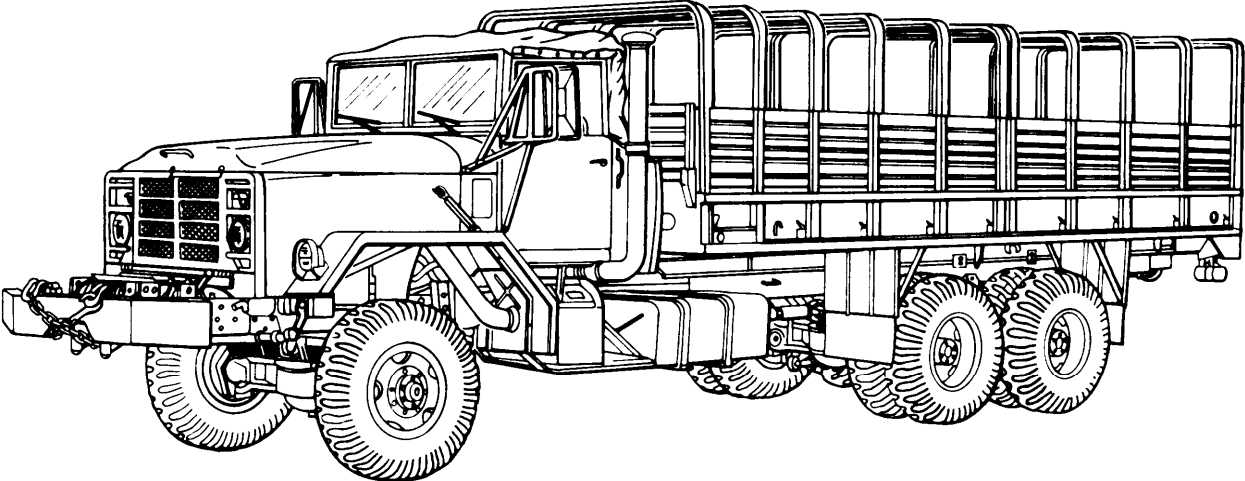
Winch: No

SHIPPING DATA

Weight: 24,986 lb

Cube: 1,961.30 cu ft

Ground Clearance: 11 1/2 in



TA208720

PURPOSE: To transport equipment, materials and/or personnel. The M927 and M928 extra long wheel base (XLWB) cargo trucks have the same rated load capacities of the M923, M924, M925, and M926. However, the truck beds are 76 inches longer. This provides each vehicle with 194 more cubic feet of cargo space for transporting equipment and materials that take up more cargo space per pound.

GENERAL INFORMATION

Nomenclature: TRUCK, CARGO: 5 Ton,
6x6, XLWB, W/Winch, W/E

Model Number: M928

Crew/Cab Capacity: 3

NSN: 2320-01-047-8770

LIN: X41242

SSN: D140030

TM: 9-2320-272-Series

CHARACTERISTICS

Horsepower: 240 bhp @ 2,100 rpm

Transmission: Automatic; 5 Fwd, 1 Rev

Electrical System: 24 Volt

Tires: 11:00 x 20, 12-ply

Brakes: Air

Blackout Lights: Yes

PERFORMANCE DATA

Fording:

W/Kit: 78 in

WO/Kit: 30 in

Approach Angle: 31 Degrees

Maximum Speed: 54 mph

Range: 300 miles

VEHICLE DATA

Type Classification & Date: Std A, 1979

Replaces: M814

Life Expectancy: 20 Years

Payload: 10,000 lb

Towed Load Allowance: 15,000 lb

Air Transportability: Phase II

EQUIPMENT OPTIONS

Kits: 100 Amp Alternator, Radiator and Hood Cover, Engine Coolant Heater, Fuel Burning Heater, Chemical Alarm, Deep Water Fording, Gun Ring Mounting, Machine Gun Adapter, M13 Decontamination, Bow and Tarp, "A" Frame, Swingfire Heater

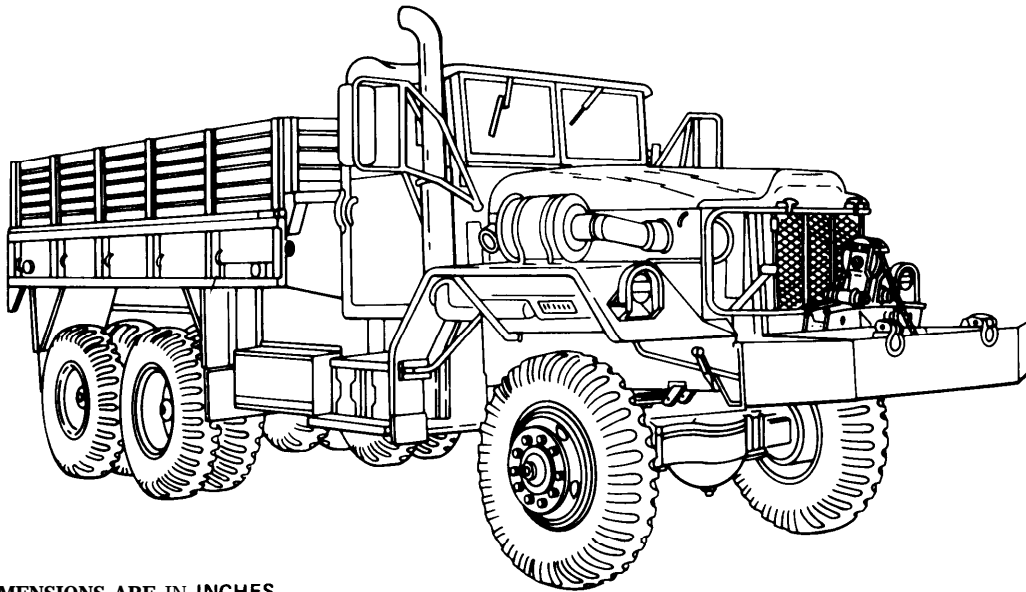
Winch: Yes

SHIPPING DATA

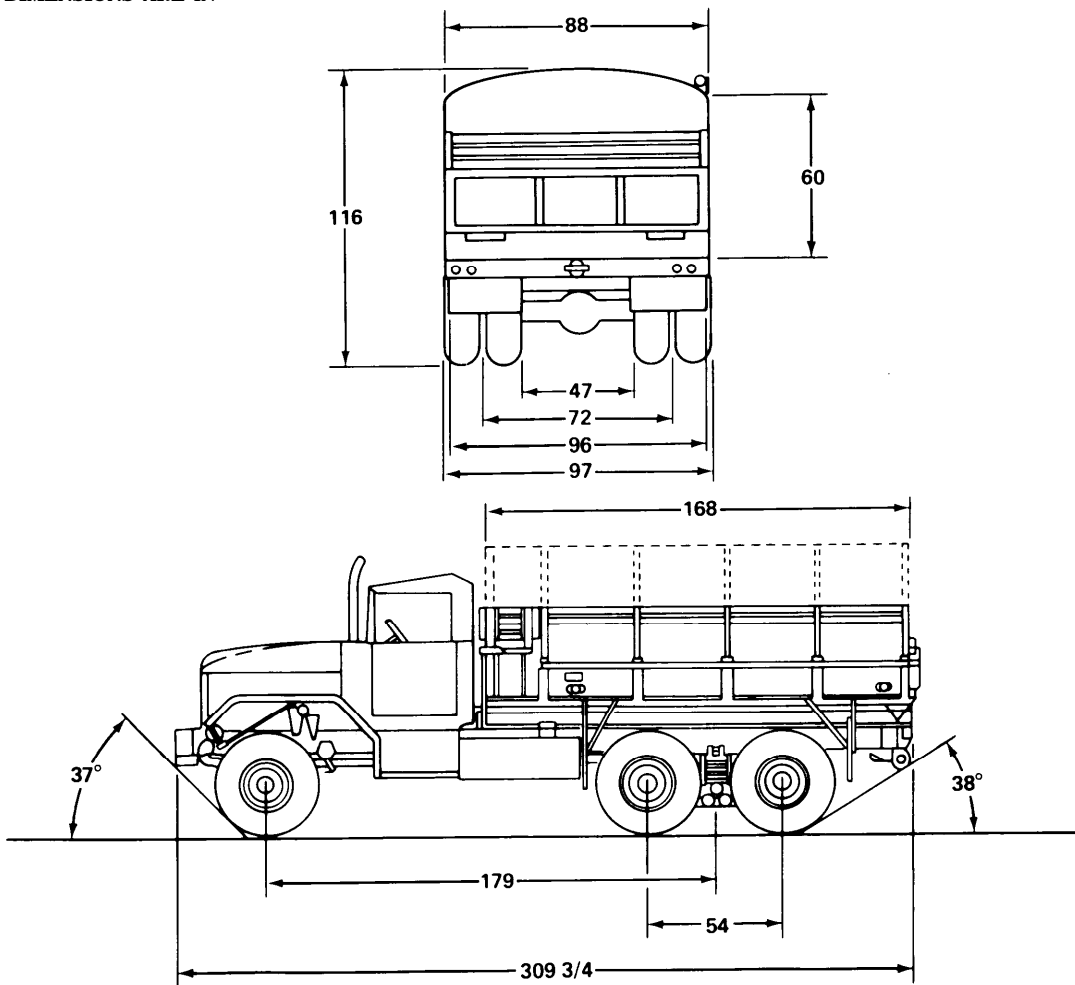
Weight: 25,588 lb

Cube: 2,072 cu ft

Ground Clearance: 10112 in



NOTE:
ALL DIMENSIONS ARE IN INCHES.



TA208918

PURPOSE: To transport general cargo and personnel.

GENERAL INFORMATION

Nomenclature: TRUCK, CARGO:
5 Ton, 6x6, Drop Side,
W/Winch, W/E

Model Number: M54A1C

Crew/Cab Capacity: 2

NSN: 2320-00-880-4612

LIN: X40931

SSN: D140020

TM: 9-2320-21 1-Series

CHARACTERISTICS

Horsepower: 205 bhp @ 2,100 rpm

Transmission: Manual; 5 Fwd, 1 Rev

Electrical System: 24 Volt

Tires: 11:00 x 20, 12-ply

Brakes: Air over hydraulic

Blackout Lights: Yes

PERFORMANCE DATA

Fording:

W/Kit: 78 in

WO/Kit: 30 in

Approach Angle: 37 Degrees

VEHICLE DATA

Type Classification & Date: Std B, 1970

Replaced by: M813

Life Expectancy: 20 Years

Payload: 10,000 lb

Towed Load Allowance: 15,000 lb

Air Transportability: Phase II

EQUIPMENT OPTIONS

Kits: Deep Water Fording, Personnel
Heater, Bow and Tarp, Arctic
Winterization

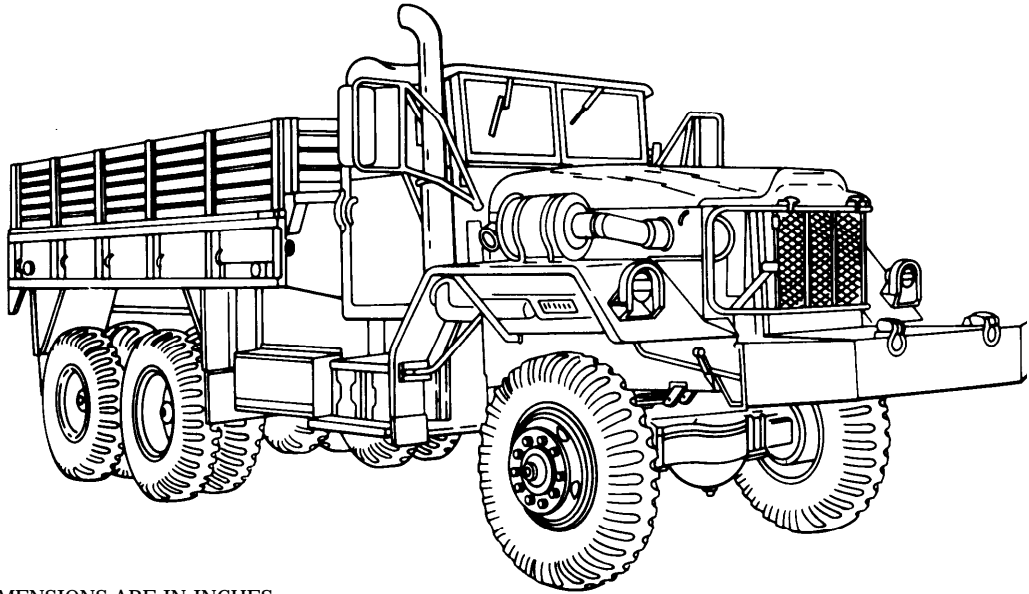
Winch: Yes

SHIPPING DATA

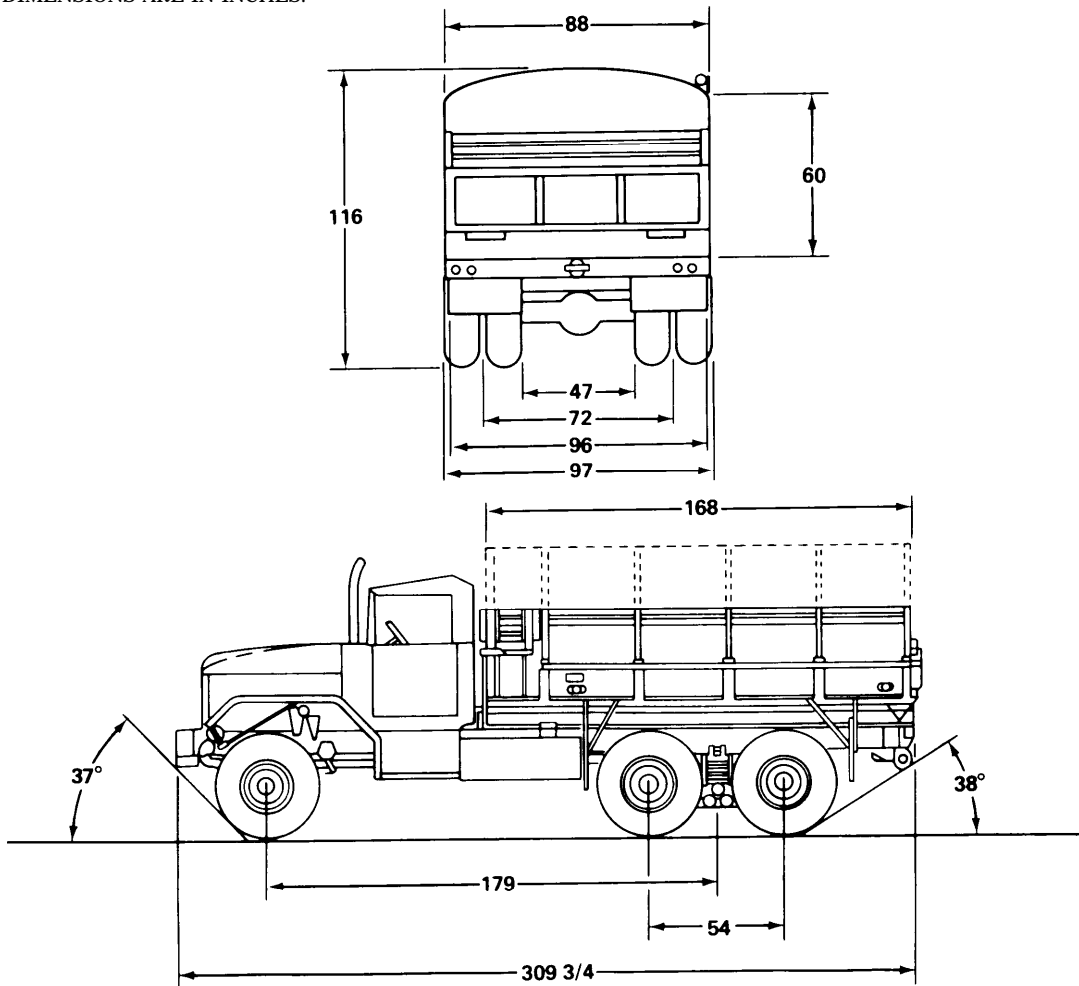
Weight: 20,660 lb

Cube:

Ground Clearance: 10 1/2 in



NOTE:
ALL DIMENSIONS ARE IN INCHES.



TA209197

PURPOSE: To transport general cargo and personnel.

GENERAL INFORMATION

Nomenclature: TRUCK, CARGO: 5 Ton,
6x6, Drop Side, WO/Winch,
W/E

Model Number: M54A1C

Crew/Cab Capacity: 2

NSN: 2320-00-880-4614

LIN: X40794

SSN: D140020

TM: 9-2320-21 I-Series

CHARACTERISTICS

Horsepower: 205 bhp @ 2,100 rpm

Transmission: Manual; 5 Fwd, 1 Rev

Electrical System: 24 Volt

Tires: 11:00 x 20, 12-ply

Brakes: Air over hydraulic

Blackout Lights: Yes

PERFORMANCE DATA

Fording:

W/Kit: 78 in

WO/Kit: 30 in

Approach Angle: 37 Degrees

Turning Radius: 46 ft

VEHICLE DATA

Type Classification & Date: Std B, 1970

Replaced by: M813

Life Expectancy: 20 Years

Payload: 10,000 lb

Towed Load Allowance: 15,000 lb

Air Transportability: Phase II

EQUIPMENT OPTIONS

Kits: Deep Water Fording, Personnel
Heater, Bow and Tarp, Arctic
Winterization

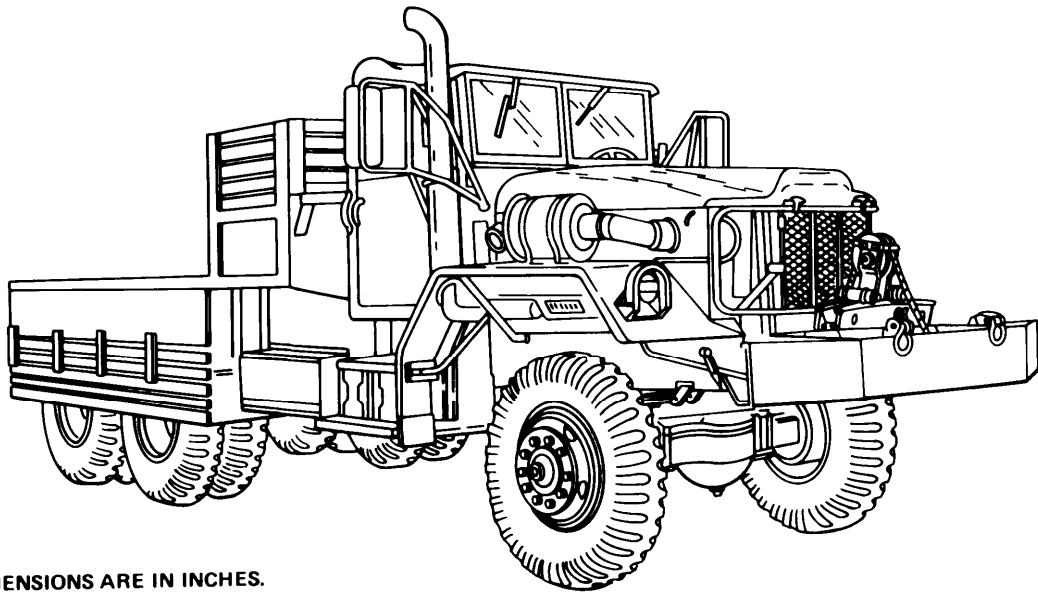
Winch: No

SHIPPING DATA

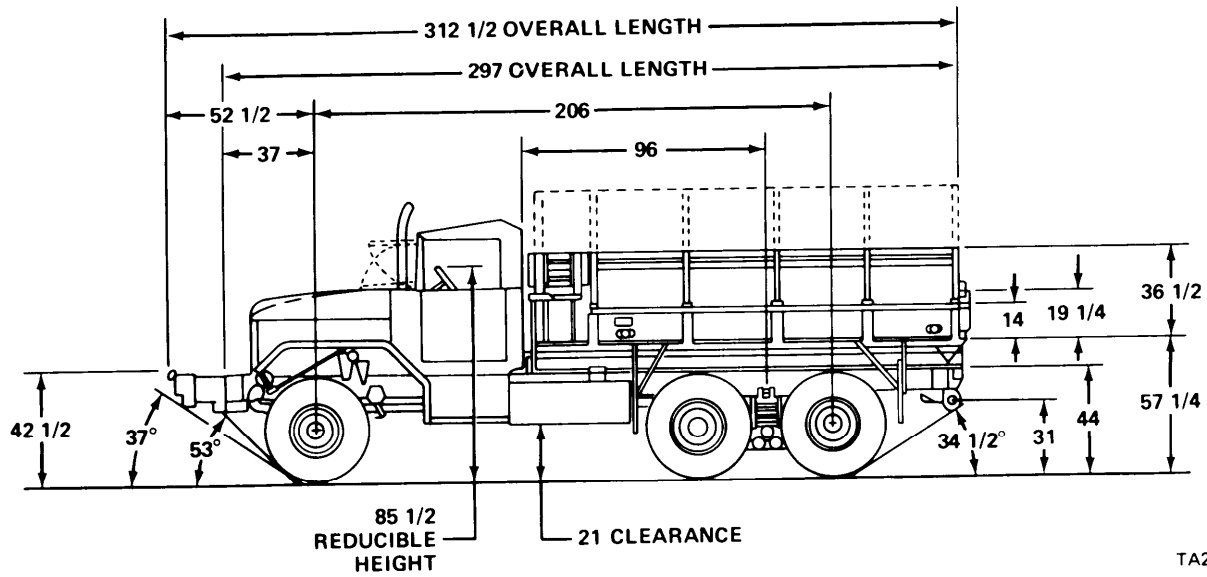
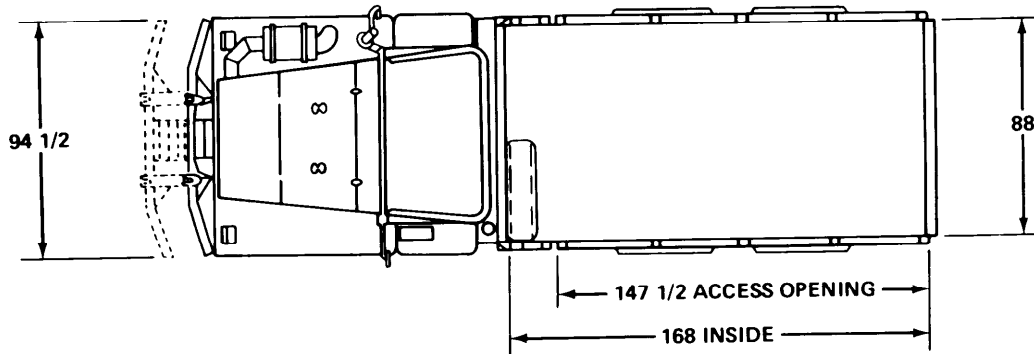
Weight: 19,946 lb

Cube:

Ground Clearance: 10 1/2 in



NOTE:
ALL DIMENSIONS ARE IN INCHES.



TA208919

PURPOSE: To transport general cargo and personnel.

GENERAL INFORMATION

Nomenclature: TRUCK, CARGO: 5 Ton,
6x6, Drop Side, W/Winch, WIE

Model Number: M54A2C

Crew/Cab Capacity: 2

NSN: 2320-00-926-0874

LIN: X40931

SSN: D140020

TM: 9-2320-21 I-Series

CHARACTERISTICS

Horsepower: 198 bhp @ 2,800 rpm

Transmission: Manual; 5 Fwd, 1 Rev

Electrical System: 24 Volt

Tires: 11:00 x 20, 12-ply

Brakes: Air over hydraulic

Blackout Lights: Yes

PERFORMANCE DATA

Fording:

W/Kit: 78 in

WO/Kit: 30 in

Approach Angle: 37 Degrees

Turning Radius: 41 ft 6 in

VEHICLE DATA

Type Classification & Date: Std B, 1971

Replaced By: M813A1

Life Expectancy: 20 Years

Payload: 10,000 lb

Towed Load Allowance: 15,000 lb

Air Transportability: Phase II

EQUIPMENT OPTIONS

Kits: Arctic Winterization, Deep Water
Fording, Hot Water Personnel
Heater, Windshield Washer

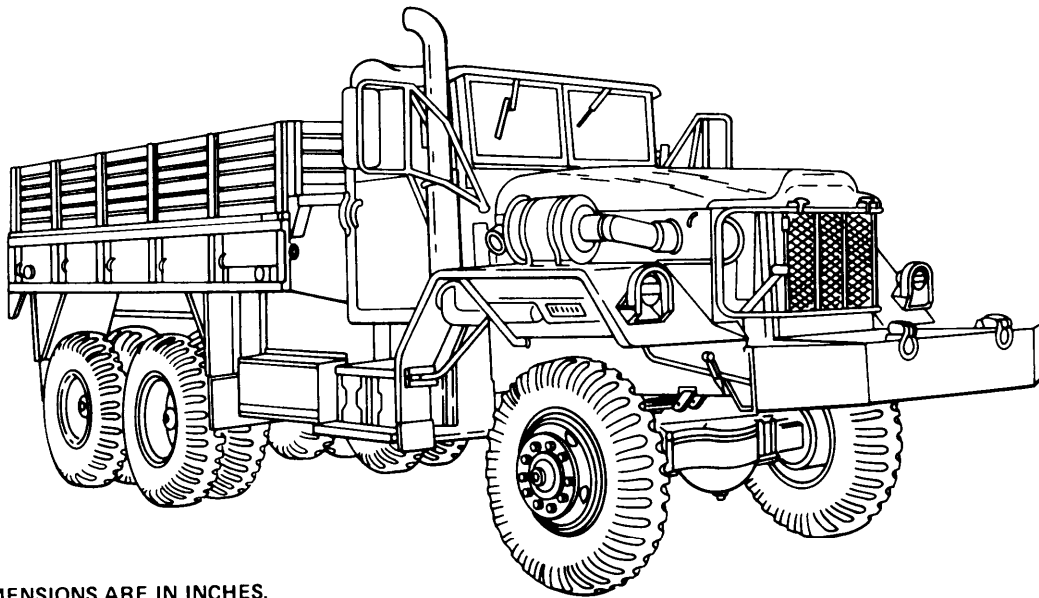
Winch: Yes

SHIPPING DATA

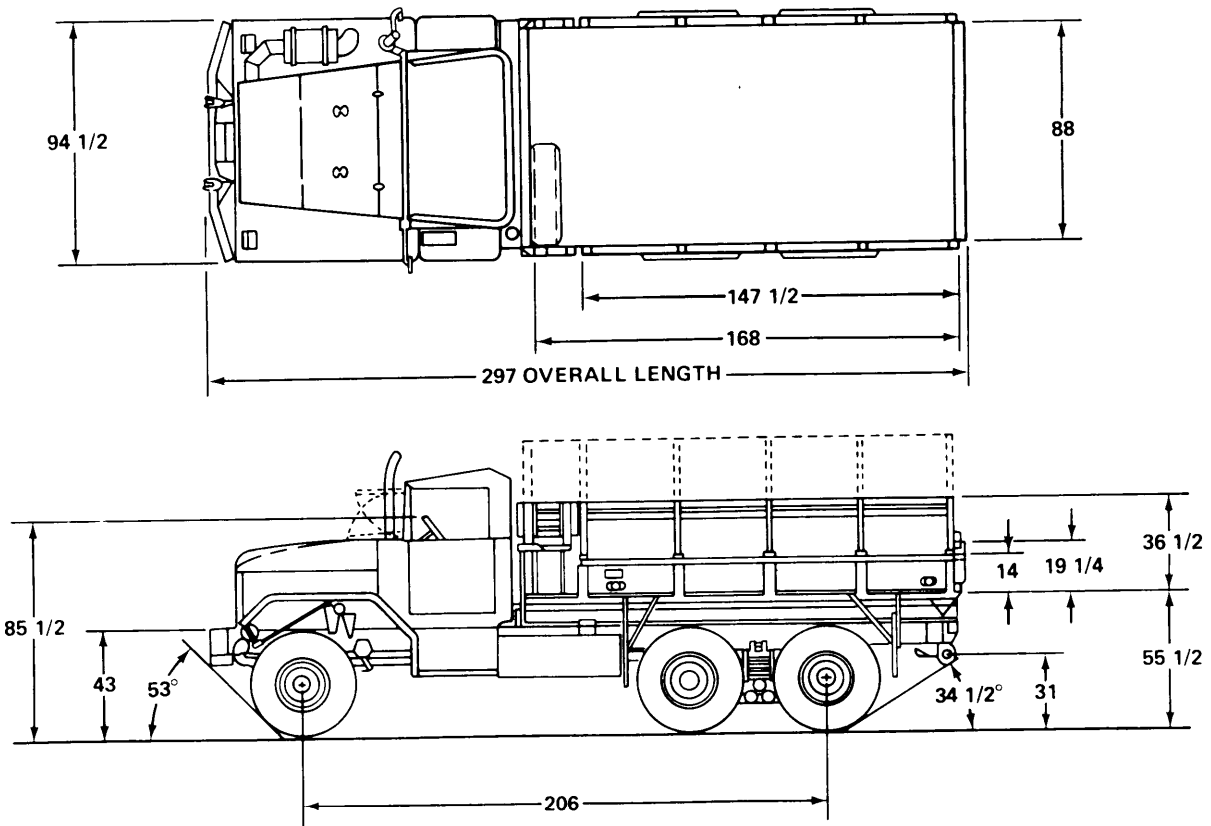
Weight: 20,660 lb

Cube: 1,500 cu ft

Ground Clearance: 21 in



NOTE:
ALL DIMENSIONS ARE IN INCHES.



TA208890

PURPOSE: Designed for use in all types of roads, highways, and cross-country terrain. They will ford hard-bottom water crossings up to 30 inches deep without special fording equipment.

GENERAL INFORMATION

Nomenclature: TRUCK, CARGO: 5 Ton, 6x6,
Drop Side , WO/Winch, W/E

Model Number: M54A2C

Crew/Cab Capacity:

NSN: 2320-00-761-2854

LIN: X40794

SSN: 0140020

TM: 9-2320-21 I-Series

CHARACTERISTICS

Horsepower: 198 bhp @ 2,800 rpm

Transmission: Manual; 5 Fwd,
1 Rev

Electrical System: 24 Volt

Tires: 11:00 x 20, 12-ply

Brakes: Air over hydraulic

Blackout Lights: Yes

PERFORMANCE DATA

Fording:

W/Kit: 78 in

W/O Kit: 30 in

Approach Angle: 53 Degrees

Turning Radius: 46 ft

VEHICLE DATA

Type Classification & Date: Std B, 1971

Replaced By: M813A1

Life Expectancy: 20 Years

Payload: 10,000 lb

Towed Load Allowance: 15,000 lb

Air Transportability:

EQUIPMENT OPTIONS

Kits: Hot Water Personnel Heater,
Fuel Burning Personnel Heater,
Power Plant Heater, Deep Water
Fording, Electric Brake

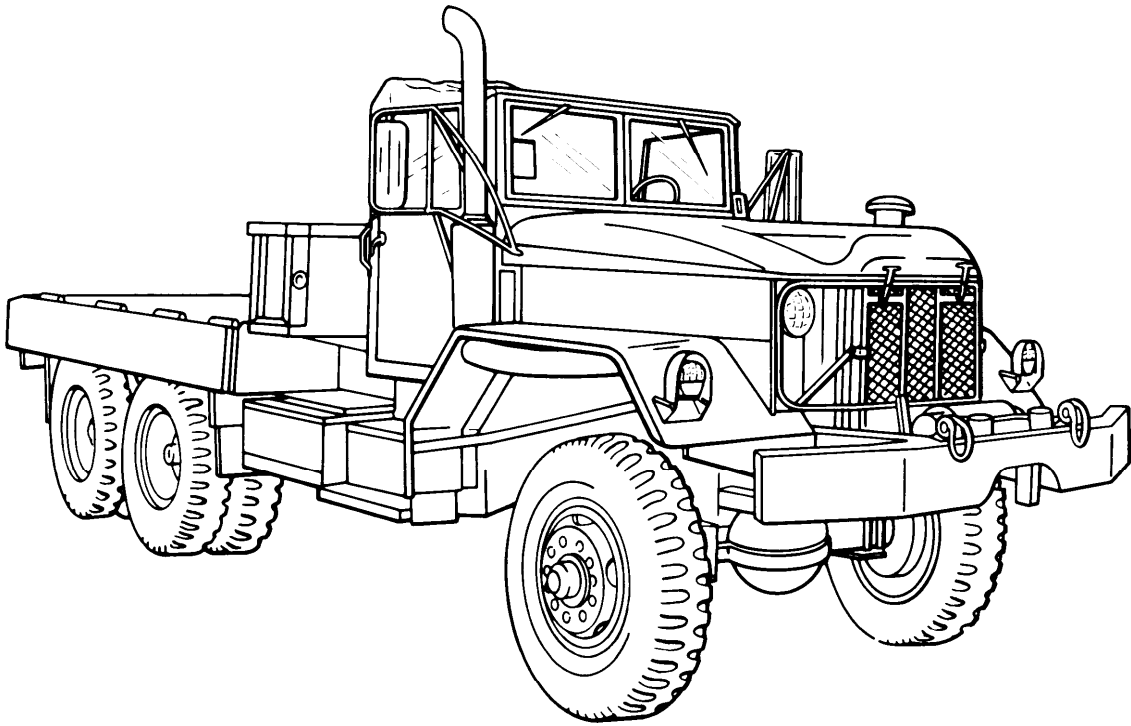
Winch: No

SHIPPING DATA

Weight: 19,800 lb

Cube: 1,432 cu ft

Ground Clearance: 10314 in



TA208757

PURPOSE: Transport general cargo or personnel.

GENERAL INFORMATION

Nomenclature: TRUCK, CARGO: 5 Ton,
6x6, Drop Side, W/Winch

Model Number: M813A1

Crew/Cab Capacity: 2

NSN: 2320-00-050-8905

LIN: X40931

SSN: D140020

TM: 9-2320-260-Series

VEHICLE DATA

Type Classification & Date: Std A, 1971

Replaces/Replaced By: M54A1C, M54A2C

Life Expectancy: 20 Years

Payload: 10,000 lb

Towed Load Allowance: 15,000 lb

Air Transportability: Phase II, unladen

CHARACTERISTICS

Horsepower: 225 bhp @ 2,100 rpm

Transmission: Manual; 5 Fwd, 1 Rev

Electrical System: 24 Volt

Tires: 11:00 x 20, 12-ply

Brakes: Air over hydraulic

Blackout Lights: Yes

PERFORMANCE DATA

Fording:

W/Kit: 78 in

WO/Kit: 30 in

Approach Angle: 34 Degrees

Maximum Speed: 52 mph

Cruising Range: 300 miles (loaded)

EQUIPMENT OPTIONS

Kits: Fording, Personnel Heater, Electric or Air Brake, Hard Top, Winterization, Thermal Barrier, "A" Frame, Slave, Hot Water Personnel Heater, Front Lifting, Cargo Tiedown, Alternator Conversion, Bow and Tarp, Air Drop, Machine Gun Mounting, Windshield Washer, Fire Extinguisher, Tachograph, Seat Belt (Floating), Low Air Pressure Warning Light

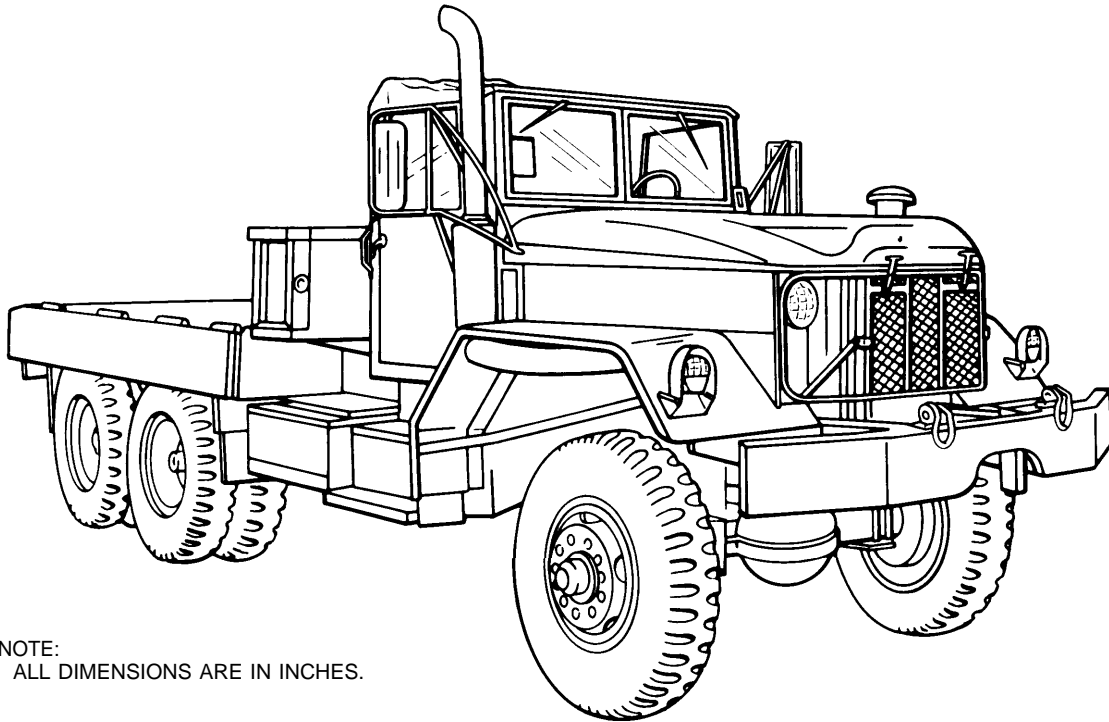
Winch: Yes

SHIPPING DATA

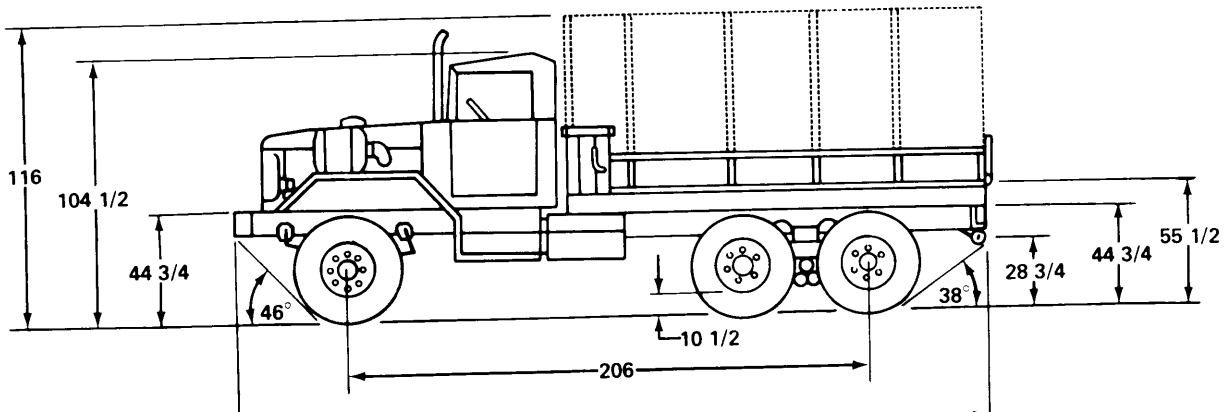
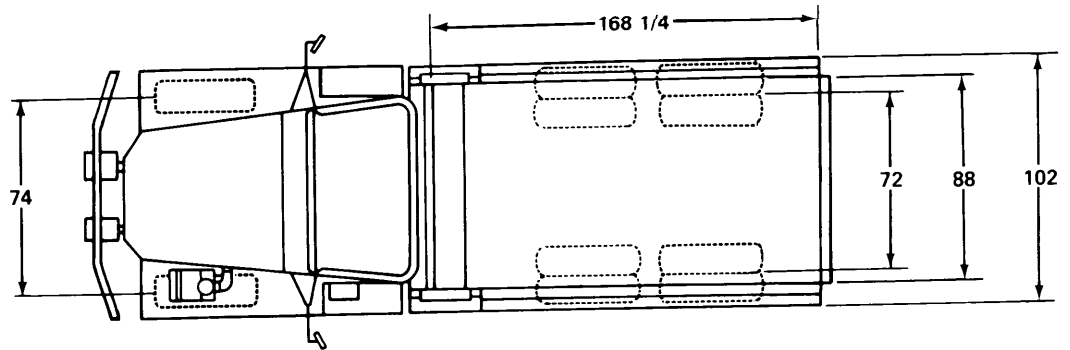
Weight: 22,144 lb

Cube: 1,545 cu ft

Ground Clearance: 10 1/2 in



NOTE:
ALL DIMENSIONS ARE IN INCHES.



TA208566

PURPOSE: To transport general cargo or personnel. To provide a curbside loading/unloading capability.

GENERAL INFORMATION

Nomenclature: TRUCK, CARGO: 5 Ton,
6x6, Drop Side, WO/Winch, W/E

Model Number: M813A1

Crew/Cab Capacity: 2

NSN: 2320-00-050-8913

LIN: X40794

SSN: D140020

TM: 9-2320-260-Series

CHARACTERISTICS

Horsepower: 225 bhp @ 2,100 rpm

Transmission: Manual; 5 Fwd, 1 Rev

Electrical System: 24 Volt

Tires: 11:00 x 20, 12-ply

Brakes: Air over hydraulic

Blackout Lights: Yes

PERFORMANCE DATA

Fording:

W/Kit: 78 in

WO/Kit: 30 in

Approach Angle: 46 Degrees

Maximum Speed: 52 mph

Cruising Range: 300 miles (loaded)

VEHICLE DATA

Type Classification & Date: Std A, 1971

Replaces: M54A1C, M54A2C

Life Expectancy: 20 Years

Payload: 10,000 lb

Towed Load Allowance: 15,000 lb

Air Transportability: Phase II, unladen

EQUIPMENT OPTIONS

Kits: Fording, Personnel Heater, Electric or Air Brakes, Hard Top, Winterization, Thermal Barrier, Slave, Hot Water Personnel Heater, Front Lifting, Cargo Tiedown, Alternator Conversion, Bow and Tarp, Air Drop, Machine Gun Mounting, Windshield Washer, Fire Extinguisher, Tachograph, Seat Belt (Floating), Low Air Pressure Warning Light

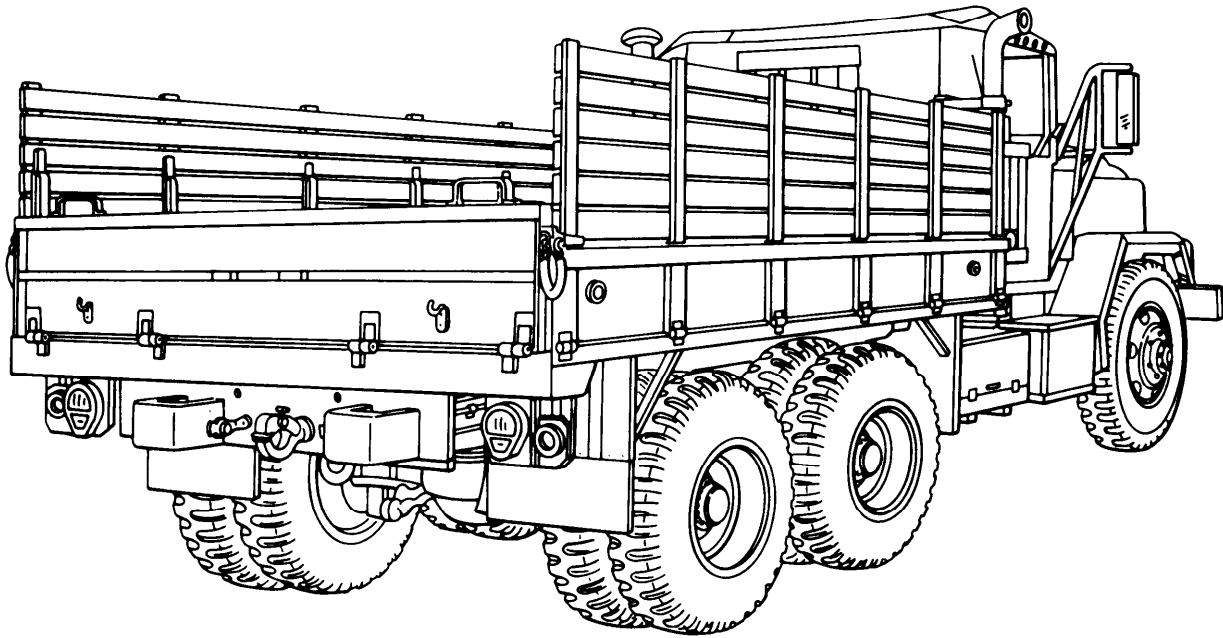
Winch: No

SHIPPING DATA

Weight: 21,479 lb

Cube: 1,470 cu ft

Ground Clearance: 10 1/2 in



HEIGHT -116
LENGTH -326 1/4
WIDTH -97 1/2

NOTE:
ALL DIMENSIONS ARE IN INCHES.

TA208715

PURPOSE: To transport payloads of up to 10,000 lb cross-country. Truck body provides 550 cu ft of cargo space. Hinged steel sides fold down out of the way for loading/unloading operations.

GENERAL INFORMATION

Nomenclature: TRUCK, CARGO: 5 Ton,
6x6, Drop Side, WO/Winch, W/E

Model Number: M923

Crew/Cab Capacity: 3

NSN: 2320-01-050-2084

LIN: X40794

SSN: D140020

TM: 9-2320-272-Series

CHARACTERISTICS

Engine: Diesel, 6 cyl.

Horsepower: 240 bhp @ 2,100 rpm

Transmission: Automatic; 5 Fwd, 1 Rev

Electrical System: 24 Volt

Tires: 11:00 x 20, 12-ply

Brakes: Air

Blackout Lights: Yes

PERFORMANCE DATA

Fording:

W/Kit: 78 in

WO/Kit: 30 in

Approach Angle: 46 Degrees

Maximum Speed: 54 mph

Range: 300 miles

VEHICLE DATA

Type Classification & Date: Std A, 1979

Replaces/Replaced By: M813A1

Life Expectancy: 20 Years

Payload: 10,000 lb

Towed Load Allowance: 15,000 lb

Air Transportability: Phase II

EQUIPMENT OPTIONS

Kits: 100 Amp Alternator, Radiator and Hood
Cover, Engine Coolant Heater, Chemical
Alarm, Deep Water Fording, Gun Ring
Mounting, Machine Gun Adapter, M13
Decontamination, Bow and Tarp, Swingfire
Heater

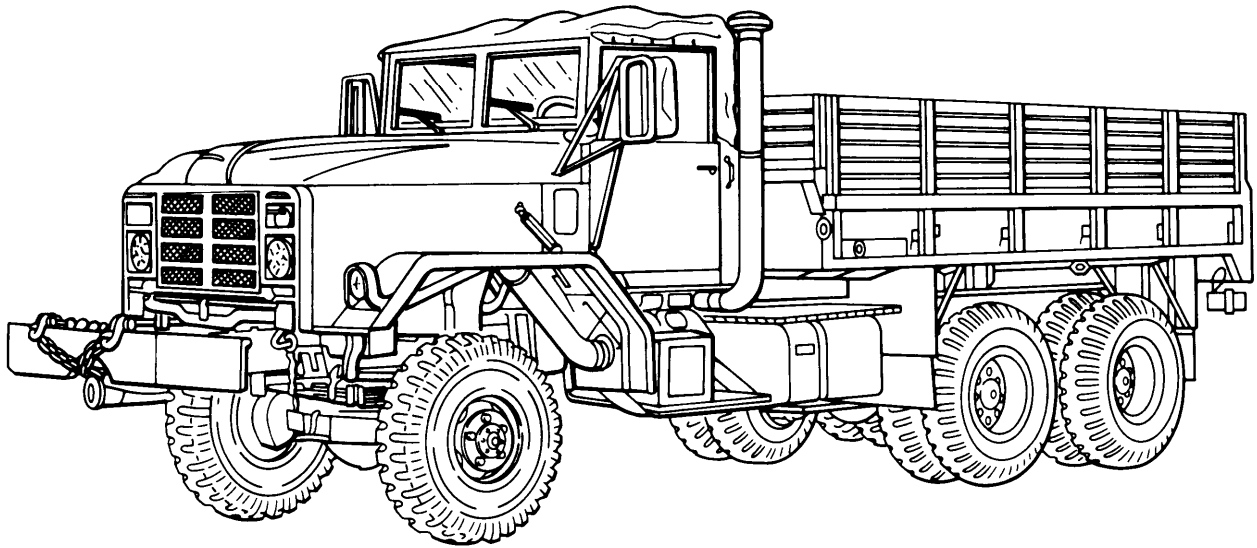
Winch: No

SHIPPING DATA

Weight: 21,158 lb

Cube: 1,569.57 cu ft

Ground Clearance: 10 1/2 in



PURPOSE: To transport payloads of up to 10,000 lb. Truck body provides 550 cu ft of cargo space. Hinged steel sides fold down out of the way for loading/unloading operations.

GENERAL INFORMATION

Nomenclature: TRUCK, CARGO: 5 Ton,
6x6, Drop Side, W/Winch, W/E

Model Number: M925

Crew/Cab Capacity: 3

NSN: 2320-01-047-8769

LIN: X40931

SSN: D140020

TM: 9-2320-272-Series

CHARACTERISTICS

Horsepower: 240 bhp @ 2,100 rpm

Transmission: Automatic; 5 Fwd, 1 Rev

Electrical System: 24 Volt

Tires: 11:00 x 20, 12-ply

Brakes: Air

Blackout Lights: Yes

PERFORMANCE DATA

Fording:

W/Kit: 78 in

WO/Kit: 30 in

Approach Angle: 31 Degrees

VEHICLE DATA

Type Classification & Date: Std A, 1979

Replaces: M813A1

Life Expectancy: 20 Years

Payload: 10,000 lb

Towed Load Allowance: 15,000 lb

Air Transportability: Phase II

EQUIPMENT OPTIONS

Kits: 100 Amp Alternator, Radiator and Hood Cover, Engine Coolant Heater, Fuel Burning Heater, Chemical Alarm, Deep Water Fording, Gun Ring Mounting, Machine Gun Adapter, M13 Decontamination, Bow and Tarp, "A" Frame, Swingfire Heater

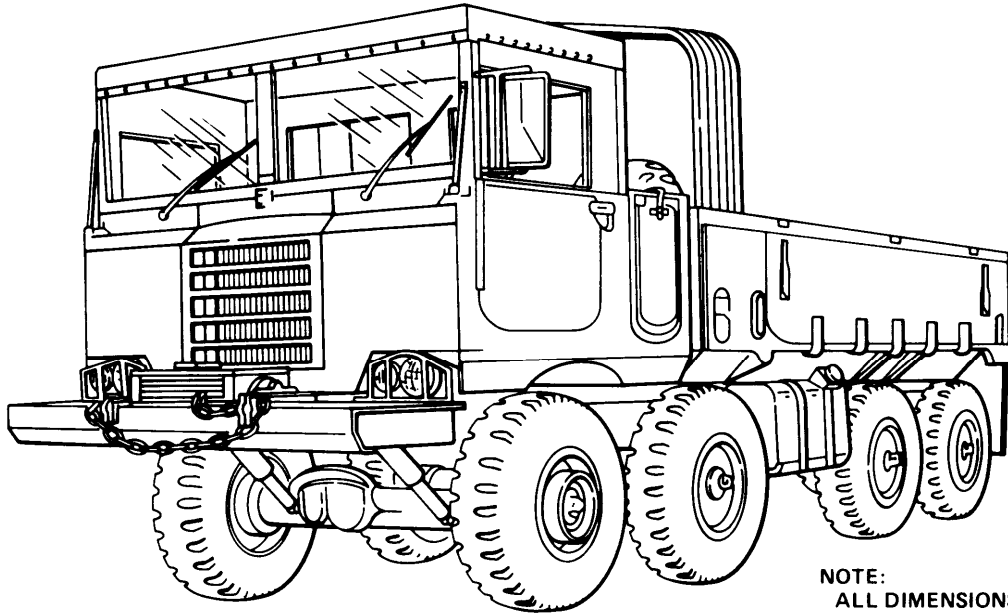
Winch: Yes

SHIPPING DATA

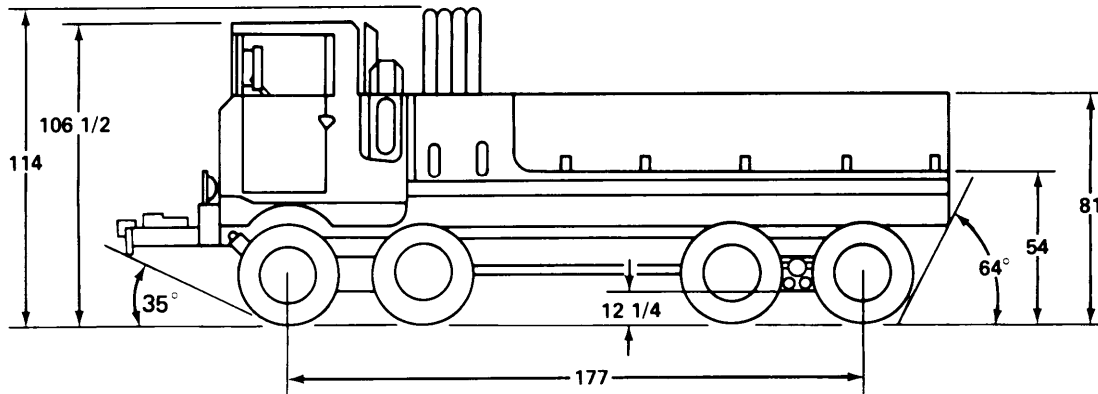
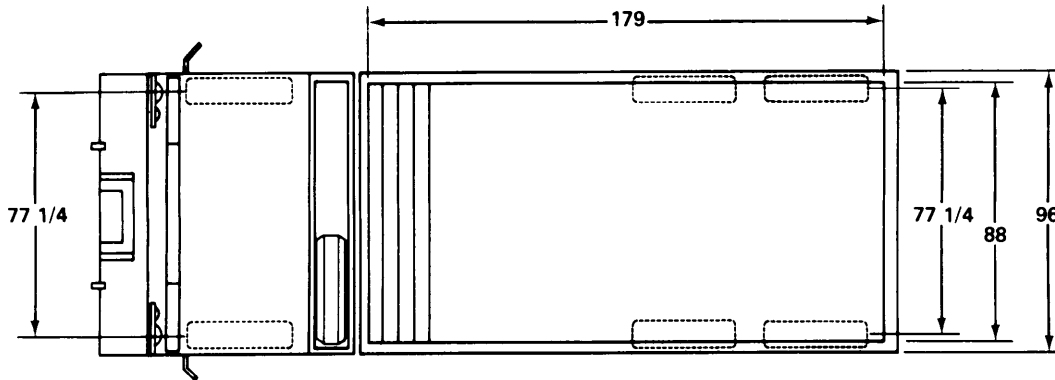
Weight: 22,575 lb

Cube: 1,680.30 cu ft

Ground Clearance: 10 1/2 in



NOTE:
ALL DIMENSIONS ARE IN INCHES.



TA208598

PURPOSE: To transport general cargo or personnel.

GENERAL INFORMATION

Nomenclature: TRUCK, CARGO: 5 Ton,
8x8, W/Winch, W/E

Model Number: M656

Crew/Cab Capacity: 2

NSN: 2320-00-999-8418

LIN: X41327

SSN: D172010

TM: 9-2320-230-Series

CHARACTERISTICS

Horsepower: 200 bhp @ 2,800 rpm

Transmission: Automatic

Electrical System: 24 Volt

Tires: 16:00 x 20, 10-PIY

Brakes: Air, sealed

Blackout Lights: Yes

PERFORMANCE DATA

Fording:

W/Kit: Floats

WO/Kit: Floats

Approach Angle: 35 Degrees with Winch

VEHICLE DATA

Type Classification & Date: Std A, 1966

Replaces/Replaced By: N/A

Life Expectancy: 20 Years

Payload: 10,400 lb

Towed Load Allowance: 13,000 lb

Air Transportability: Phase II

EQUIPMENT OPTIONS

Kits: Personnel Heater, Winterization,
Machine Gun Mounting

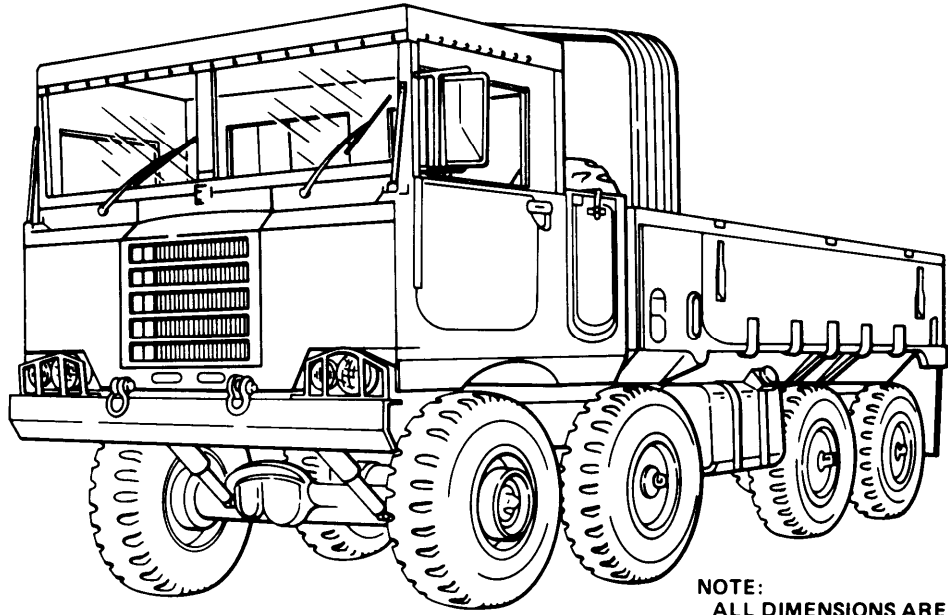
Winch: Yes

SHIPPING DATA

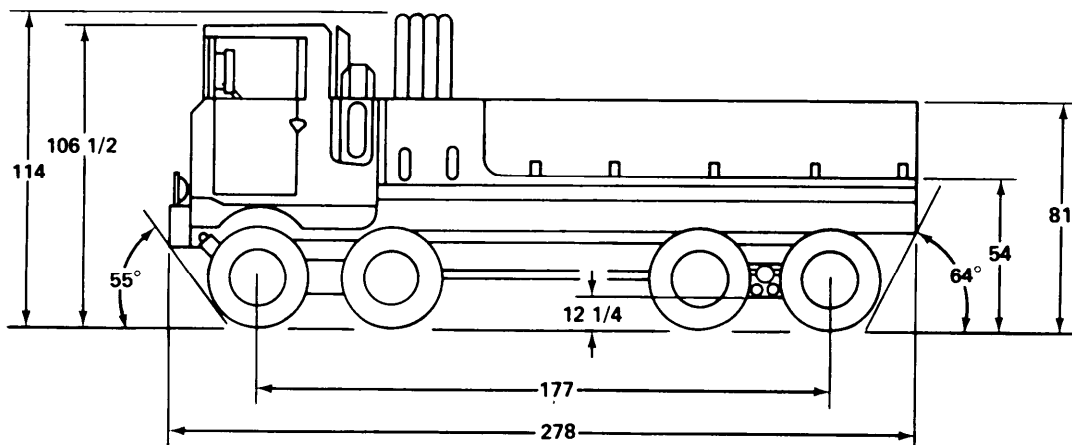
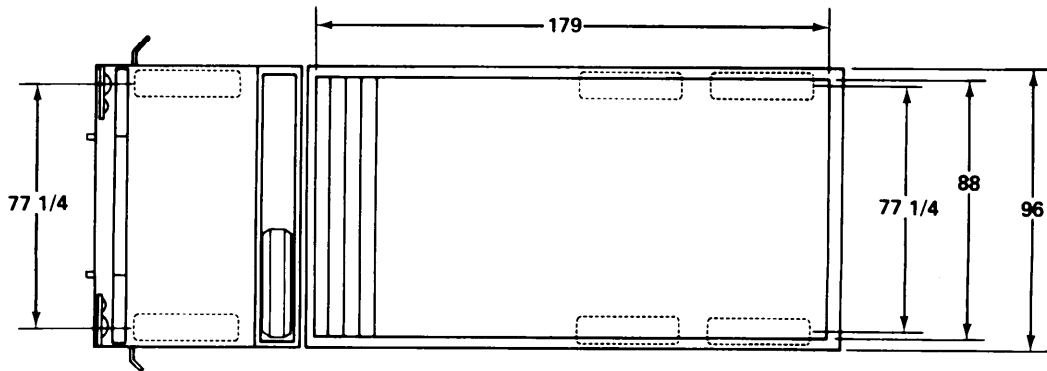
Weight: 15,970 lb

Cube: 1,232 cu ft

Ground Clearance: 12 1/4 in



NOTE:
ALL DIMENSIONS ARE IN INCHES.



TA208609

PURPOSE: To transport general cargo or personnel.

GENERAL INFORMATION

Nomenclature: TRUCK, CARGO: 5-Ton,
8x8, WO/Winch

Model Number: M656

Crew/Cab Capacity: 2

NSN: 2320-00-903-0883

LIN: X41310

SSN: D172010

TM: 9-2320-230-Series

CHARACTERISTICS

Horsepower: 200 bhp @ 2,800 rpm

Transmission: Automatic

Electrical System: 24 Volt

Tires: 16:00 x 20, 10-ply

Brakes: Air, sealed

Blackout Lights: Yes

PERFORMANCE DATA

Fording:

W/Kit: Floats

WO/Kit: Floats

Approach Angle: 55 Degrees

VEHICLE DATA

Type Classification & Date: Std A, 1966

Replaces/Replaced By:

Life Expectancy: 20 Years

Payload: 10,400 lb

Towed Load Allowance: 13,000 lb

Air Transportability: Phase II

EQUIPMENT OPTIONS

Kits: Personnel Heater, Winterization,
Machine Gun Mounting

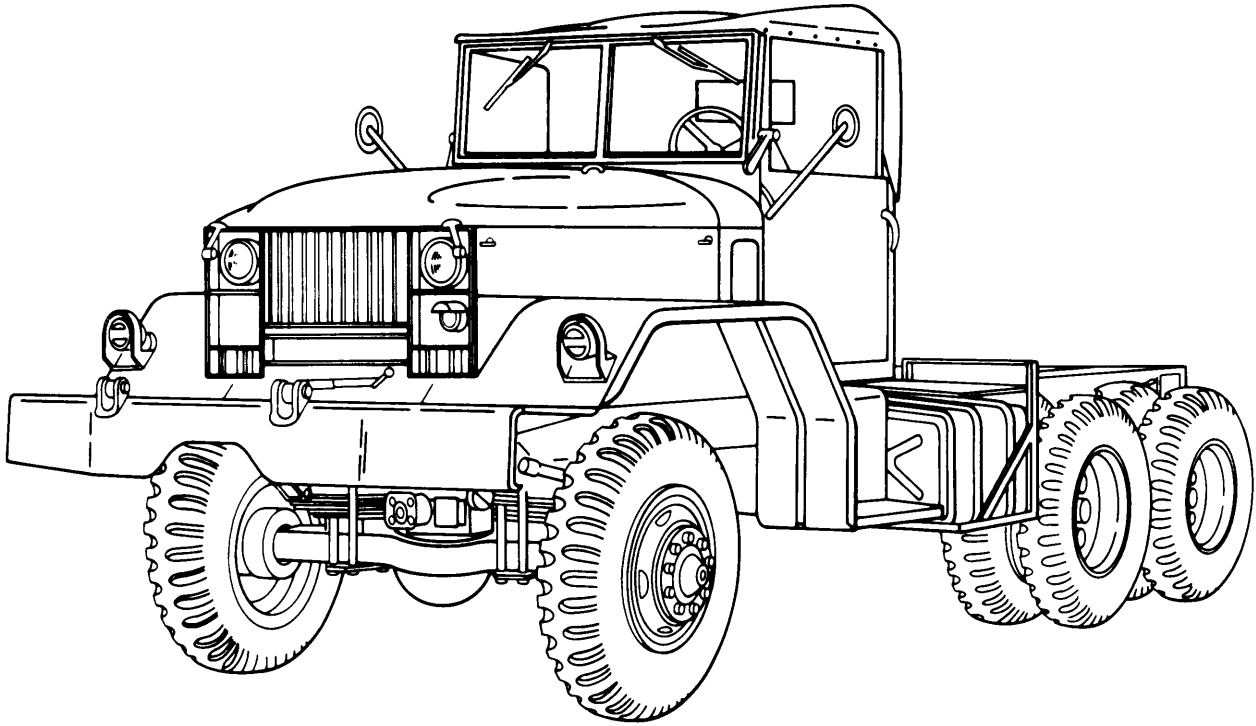
Winch: No

SHIPPING DATA

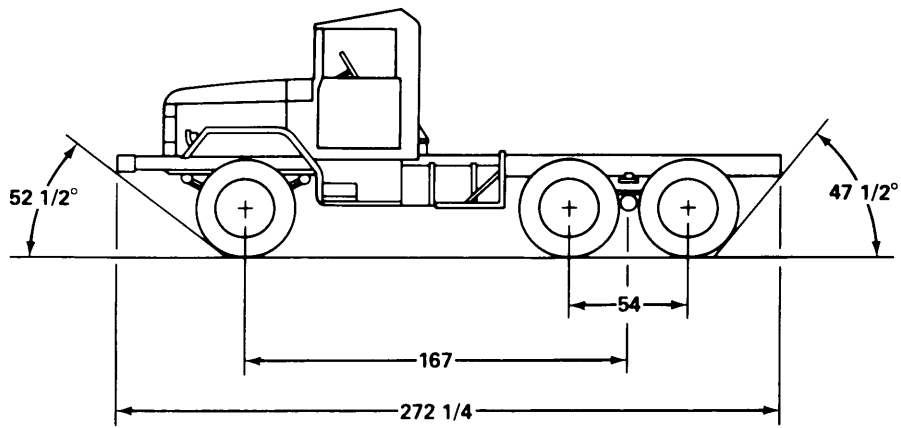
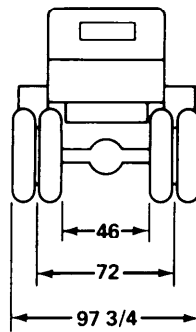
Weight: 15,330 lb

Cube: 1,229 cu ft

Ground Clearance: 12 1/4 in.



NOTE:
ALL DIMENSIONS ARE IN INCHES.



TA208923

PURPOSE: To provide a chassis for mounting 5-ton capacity truck bodies.

GENERAL INFORMATION

Nomenclature: TRUCK, CHASSIS: 5 Ton,
6x6, WO/Winch, W/E

Model Number: M61A2

Crew/Cab Capacity: 2

NSN: 2320-00-055-9264

LIN: No Basis Of Issue (NBOI)

SSN: D140000

TM: 9-2320-21 I-Series

CHARACTERISTICS

Horsepower: 198 bhp @ 2,800 rpm

Transmission: Manual; 5 Fwd, 1 Rev

Electrical System: 24 Volt

Tires: 11:00 x 20, 12-ply

Brakes: Air over hydraulic

Blackout Lights: Yes

PERFORMANCE DATA

Fording:

W/Kit: 78 in

WO/Kit: 30 in

Approach Angle: 52 1/2 Degrees

VEHICLE DATA

Type Classification & Date:

Replaces/Replaced By:

Life Expectancy: 20 Years

Payload: 10,000 lb

Towed Load Allowance: 15,000 lb

Air Transportability:

EQUIPMENT OPTIONS

Kits: Deep Water Fording,
Winterization

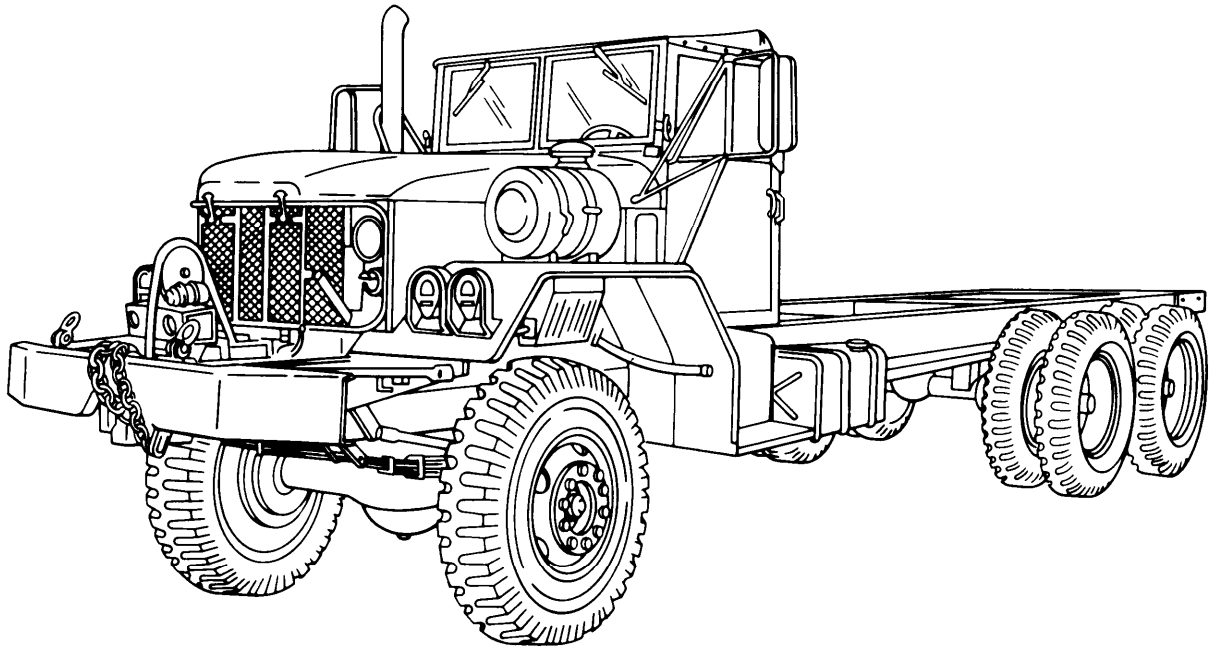
Winch: No

SHIPPING DATA

Weight: 17,300 lb

Cube: 1,390 cu ft

Ground Clearance: 10112 in



TA208877

PURPOSE: Designed for use on all types of roads, highways, and cross-country terrain, and will ford hard-bottom water crossings up to 30 in. without special fording equipment.

GENERAL INFORMATION

Nomenclature: TRUCK, CHASSIS:
5 Ton, 6x6, W/Winch, W/E

Model Number: M809

Crew/Cab Capacity: 2

NSN: 2320-00-050-8841

LIN: No Basis Of Issue (NBOI)

SSN: D140000

TM: 9-2320-260-Series

CHARACTERISTICS

Engine: Cummins NHC 250 Diesel, 6 cyl.

Horsepower: 225 bhp @ 2,100 rpm

Transmission: Manual; 5 Fwd,
1 Rev

Electrical System: 24 Volt

Tires: 11:00 x 20, 12-Ply

Brakes: Air over hydraulic

Blackout Lights: Yes

PERFORMANCE DATA

Fording:

W/Kit: 78 in

WO/ Kit: 30 in

Approach Angle: 34 Degrees

VEHICLE DATA

Type Classification & Date: Std A, 1974

Replaced by:

Life Expectancy: 20 Years

Payload: 12,500 lb

Towed Load Allowance: 15,000 lb

Air Transportability: Phase II

EQUIPMENT OPTIONS

Kits: Fording, Personnel Heater, Winterization, Hard Top, Front Lifting Shackles, Slave, Hot Water Personnel Heater, Thermal Barrier, Air Brake, Alternator Conversion, Air Drop, Machine Gun Mounting, Windshield Washer, Fire Extinguisher, Tachograph, Seat Belts (Floating), Low Air Pressure Warning Light

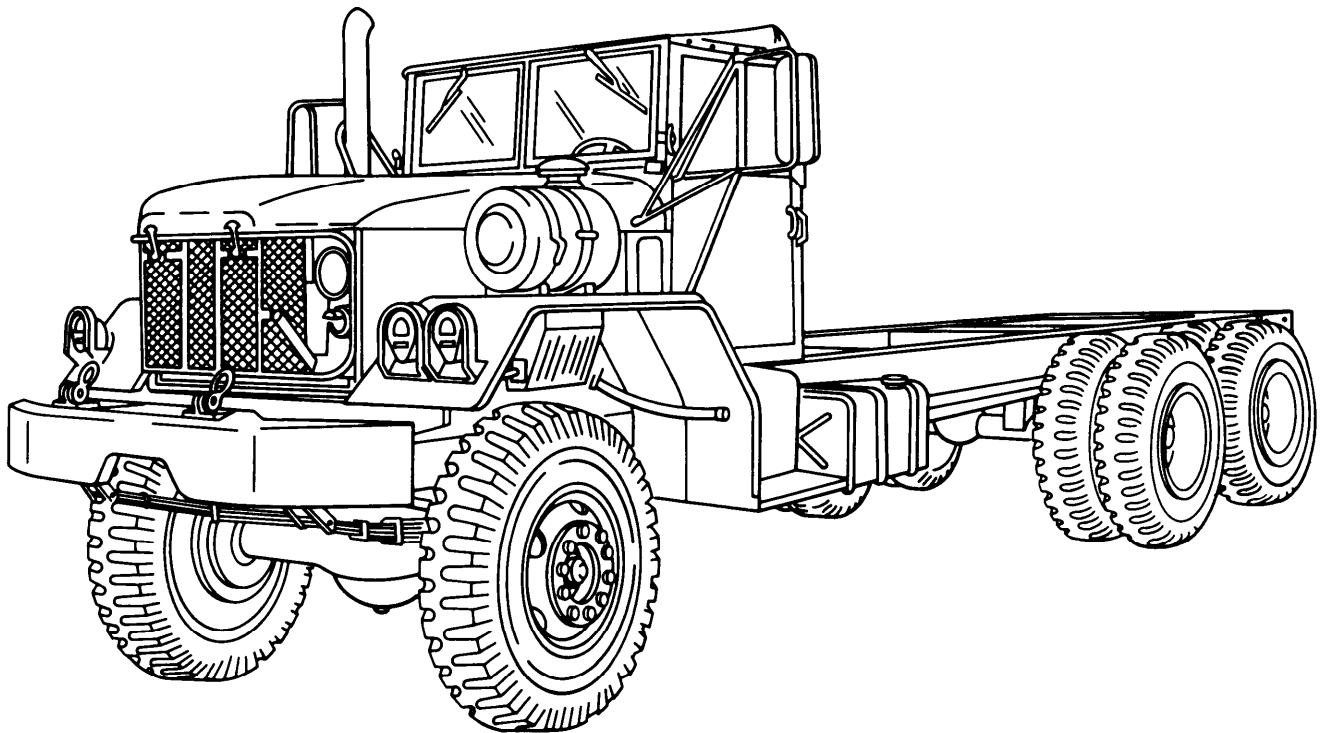
Winch: Yes

SHIPPING DATA

Weight: 19,350 lb

Cube: 1,532 cu ft

Ground Clearance: 10 5/8 in



TA208876

PURPOSE: Designed for use on all types of roads, highways, and cross-country terrain and will ford hard-bottom water crossings up to win without special fording equipment.

GENERAL INFORMATION

Nomenclature: TRUCK CHASSIS:
5 Ton, 6x6, WO/Winch, W/E

Model Number: M809

Crew/Cab Capacity:

NSN: 2320-00-050-8842

LIN: No Basis Of Issue (NBOI)

SSN: D140000

TM: 9-2320-260- Series

CHARACTERISTICS

Engine: Cummins NHC 250 Diesel, 6 cyl.

Horsepower: 225 bhp @ 2,100 rpm

Transmission: Manual; 5 Fwd,
1 Rev

Electrical System: 24 Volt

Tires: 11:00 x 20, 12-Ply

Brakes: Air over hydraulic

Blackout Lights: Yes

PERFORMANCE DATA

Fording:

W/Kit: 78 in

WO/Kit: 30 in

Approach Angle: 46 Degrees

VEHICLE DATA

Type Classification & Date: Std A, 1974

Replaced by:

Life Expectancy: 20 Years

Payload: 12,500lb

Towed Load Allowance: 15,000 lb

Air Transportability: Phase II

EQUIPMENT OPTIONS

Kits: Fording, Personnel Heater, Winterization, Hard Top, Front Lifting Shackles, Slave, Hot Water Personnel Heater, Thermal Barrier, Air Brake, Alternator Conversion, Air Drop, Machine Gun Mounting, Windshield Washer, Fire Extinguisher, Tachograph, Seat Belts (Floating), Low Air Pressure Warning Light

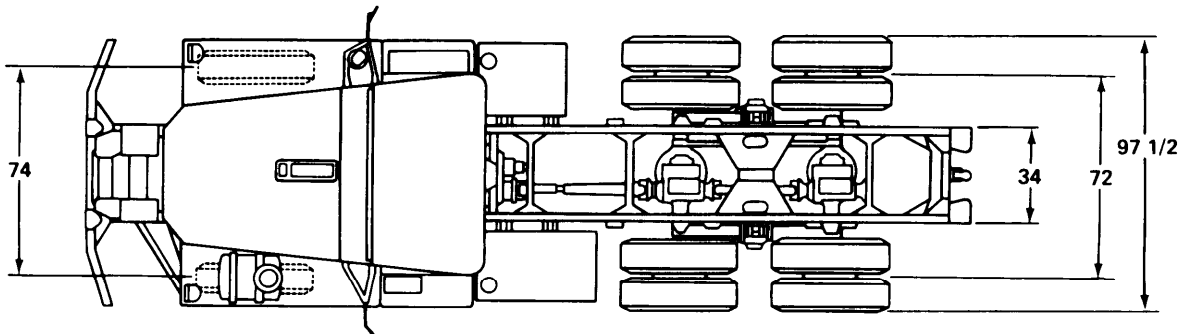
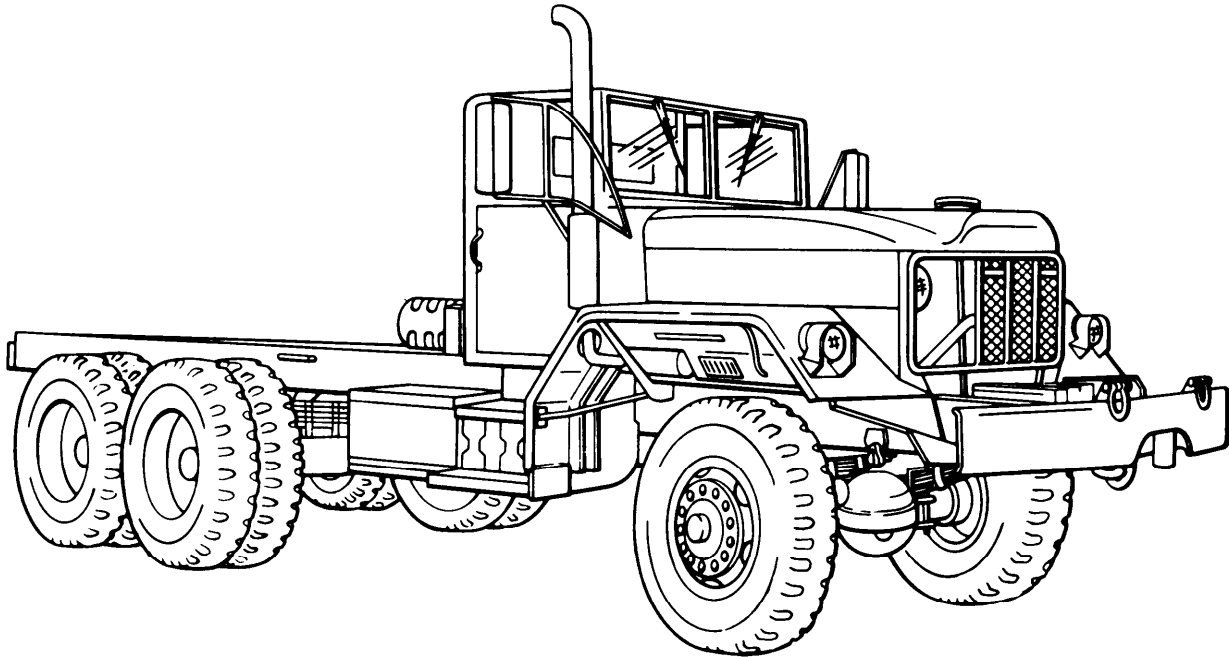
Winch: No

SHIPPING DATA

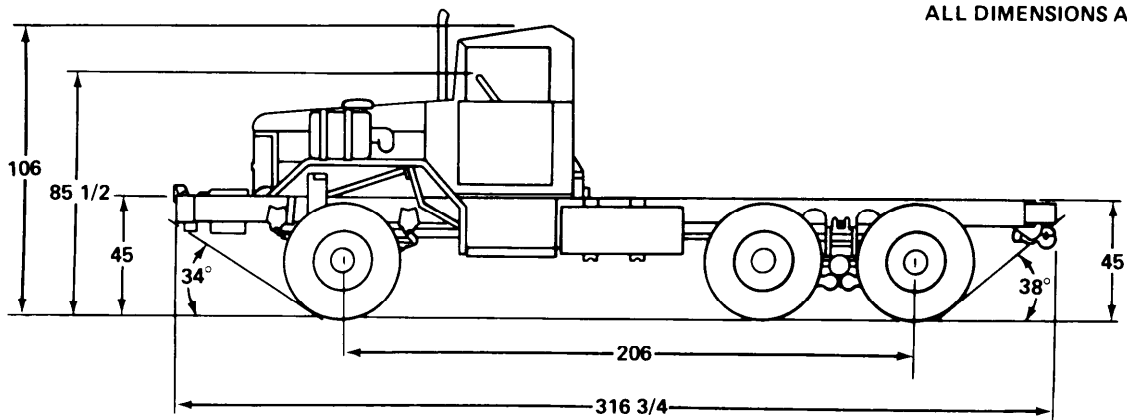
Weight: 16,685 lb

cube: 1,457 Cu ft

Ground Clearance: 10 1/2 In



NOTE:
ALL DIMENSIONS ARE IN INCHES.



TA208627

PURPOSE: To provide a 5 ton chassis for mounting a variety of bodies.

GENERAL INFORMATION

Nomenclature: TRUCK, CHASSIS: 5 Ton,
6x6, W/Winch

Model Number: M809A1

Crew/Cab Capacity: 2

NSN: 2320-00-050-8941

LIN: No Basis Of Issue (NBOI)

SSN: D140000

TM: 9-2320-260-Series

CHARACTERISTICS

Horsepower: 225 bhp @ 2,100 rpm

Transmission: Manual; 5 Fwd, 1 Rev

Electrical System: 24 Volt

Tires: 11:00 x 20, 12-ply

Brakes: Air over hydraulic

Blackout Lights: Yes

PERFORMANCE DATA

Fording:

W/Kit: 78 in

WO/Kit: 30 in

Approach Angle: 34 Degrees

VEHICLE DATA

Type Classification & Date: Std A, 1974

Replaces/Replaced By:

Life Expectancy: 20 Years

Payload: 12,500 lb

Towed Load Allowance: 15,000 lb

Air Transportability: Phase II

EQUIPMENT OPTIONS

Kits: Fording, Hard Top, Front Lifting, Slave,
Personnel Heater, Hot Water Personnel
Heater, Winterization, Thermal Barrier, Air
Brake, Alternator Conversion, Air Drop,
Machine Gun Mounting, Windshield Washer,
Fire Extinguisher, Tachograph, Seat Belt
(Floating), Low Air Pressure Warning Light

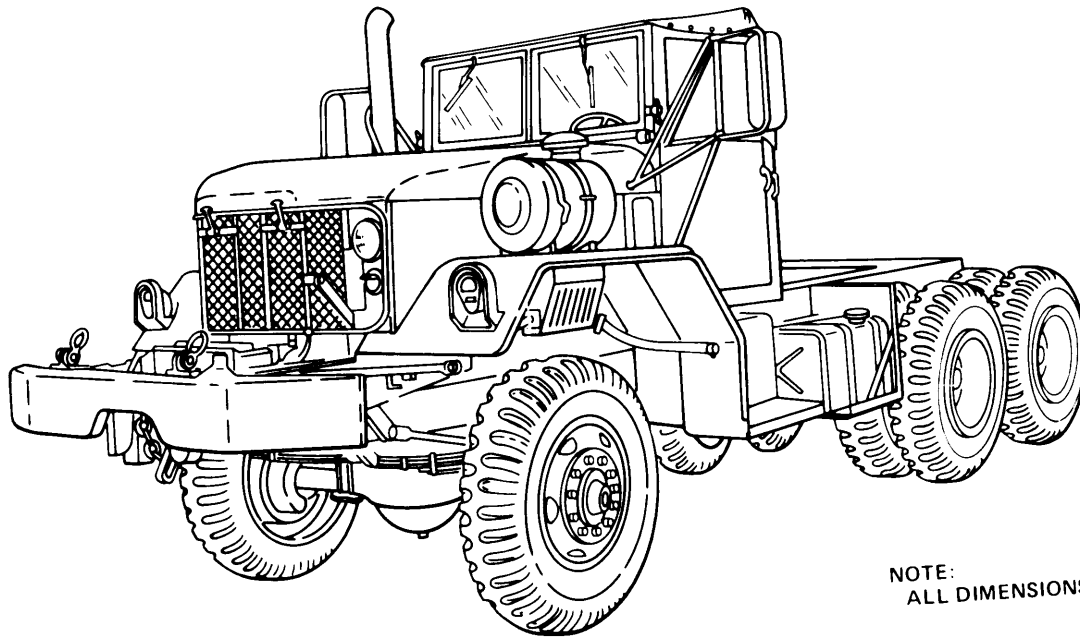
Winch: Yes

SHIPPING DATA

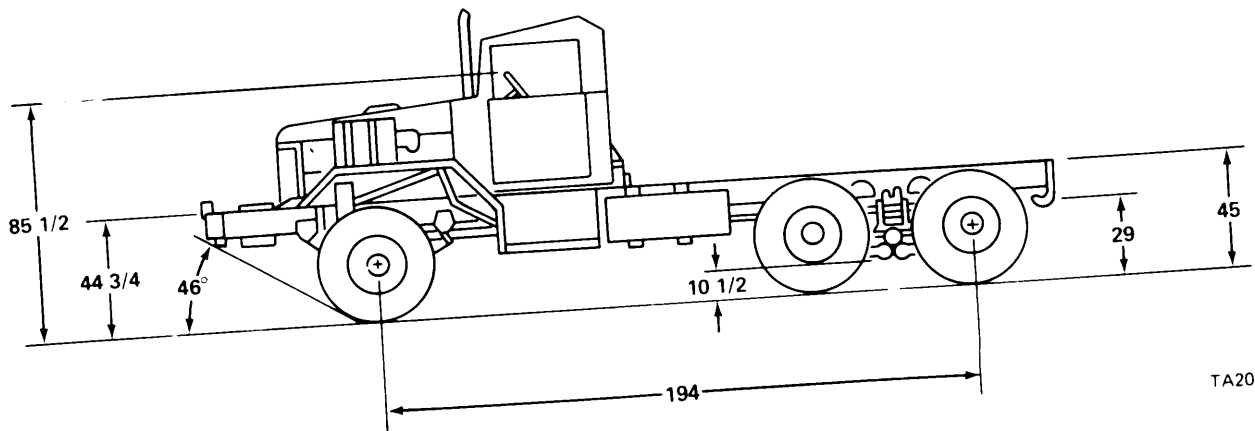
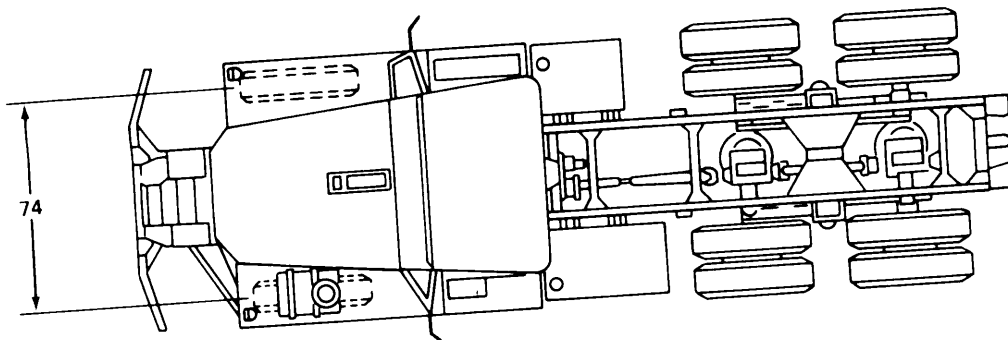
Weight: 20,958 lb

Cube: 1,532 cu ft

Ground Clearance: 10 5/8 in



NOTE:
ALL DIMENSIONS ARE IN INCHES.



TA208934

PURPOSE: To provide a chassis for mounting truck bodies.

GENERAL INFORMATION

Nomenclature: TRUCK, CHASSIS:
5 Ton, 6x6, W/Winch, W/E

Model Number: M810

Crew/Cab Capacity: 2

NSN: 2320-00-051-0585

LIN: No Basis Of Issue (NBOI)

SSN: D140000

TM: 9-2320-260-Series

VEHICLE DATA

Type Classification & Date:

Replaced by:

Life Expectancy: 20 Years

Payload: 14,600 lb

Towed Load Allowance: 15,000 lb

Air Transportability: Phase II

CHARACTERISTICS

Horsepower: 225 bhp @ 2,100 rpm

Transmission: Manual; 5 Fwd,
1 Rev

Electrical System: 12 Volt

Tires: 11:00 x 20, 12-Ply

Brakes: Air over hydraulic

Blackout Lights: Yes

PERFORMANCE DATA

Fording:

W/Kit: 78 in

WO/Kit: 30 in

Approach Angle: 46 Degrees

EQUIPMENT OPTIONS

Kits: Dump Body (5 cu yd) with Twin-Cylinder Hoist, Fording, Winterization, Hard Top, Front Lifting, Slave, Personnel Heater, Hot Water Personnel Heater, Thermal Barrier, Air Brake, Alternator Conversion, Air Drop, Machine Gun Mounting, Windshield Washer, Fire Extinguisher, Tachograph, Seat Belt (Floating), Low Air Pressure Warning Light

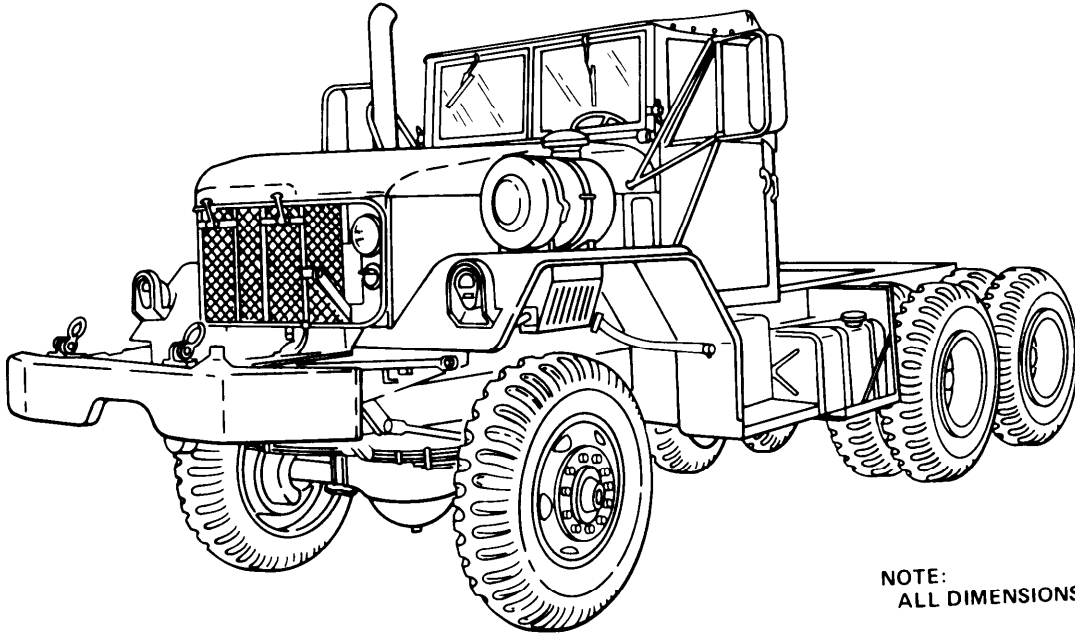
Winch: Yes

SHIPPING DATA

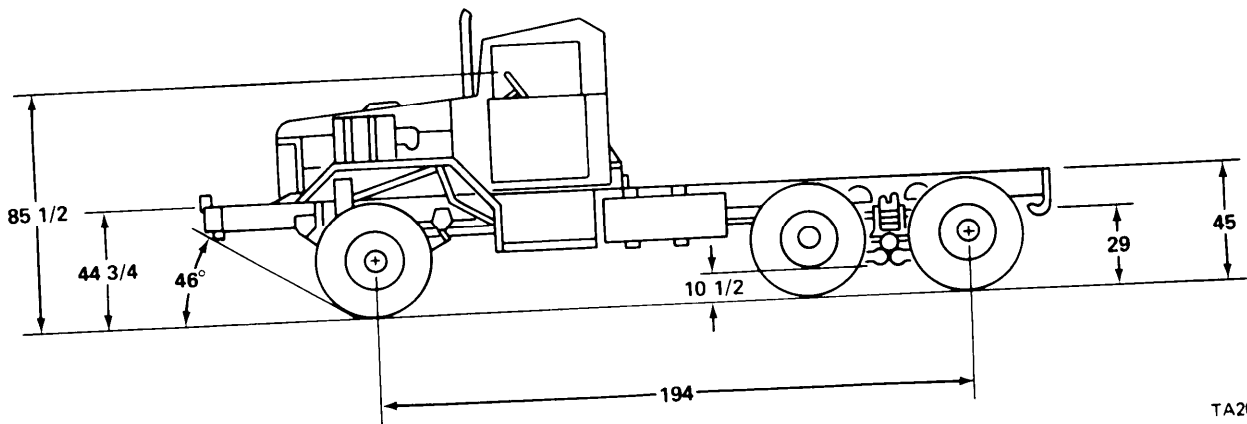
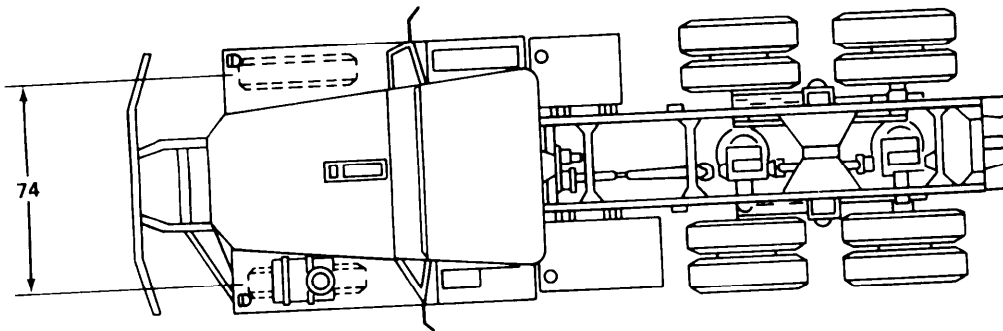
Weight: 19,685 lb

Cube: 1,424 cu ft

Ground Clearance: 10 1/2 in



NOTE:
ALL DIMENSIONS ARE IN INCHES.



TA209198

PURPOSE: To provide a chassis for mounting truck bodies.

GENERAL INFORMATION

Nomenclature: TRUCK CHASSIS: 5-Ton,
6x6, WO/Winch, W/E

Model Number: M810

Crew/Cab Capacity: 2

NSN: 2320-00-051-0586

LIN: No Basis Of Issue (NBOI)

SSN: D140000

TM: 9-2320-260-Series

CHARACTERISTICS

Horsepower: 240 bhp @ 2,100 rpm

Transmission: Manual; 5 fwd, 1 rev

Electrical System: 12 Volt

Tires: 11:00 x 20, 12-Ply

Brakes: Air over hydraulic

Blackout Lights: Yes

PERFORMANCE DATA

Fording:

W/Kit: 78 in

WO/Kit: 30 in

Approach Angle: 46 Degrees

VEHICLE DATA

Type Classification & Date:

Replaces:

Life Expectancy: 20 Years

Payload: 14,600 lb

Towed Load Allowance: 15,000 lb

Air Transportability: Phase II

EQUIPMENT OPTIONS

Kits: Dump Body (5 cu yd) with Twin-Cylinder Hoist, Fording, Winterization, Hard Top, Front Lifting, Slave, Personnel Heater, Thermal Barrier, Air Brake, Alternator Conversion, Air Drop, Machine Gun Mounting, Windshield Washer, Fire Extinguisher, Tachograph, Seat Belt (Floating), Low Air Pressure Warning Light

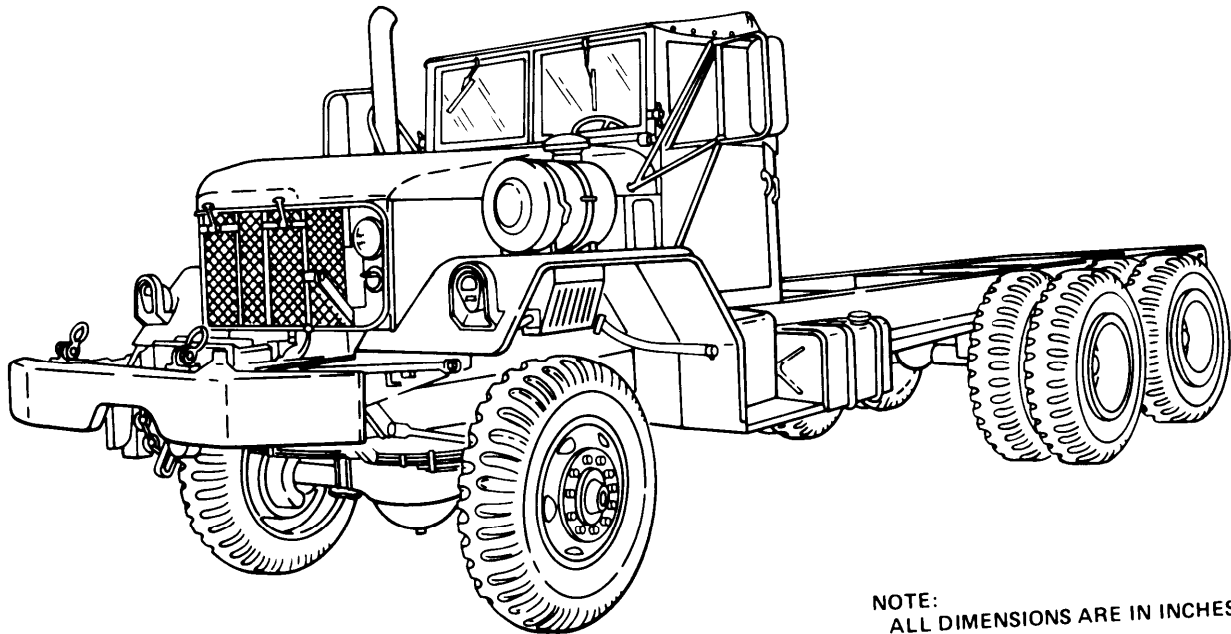
Winch: No

SHIPPING DATA

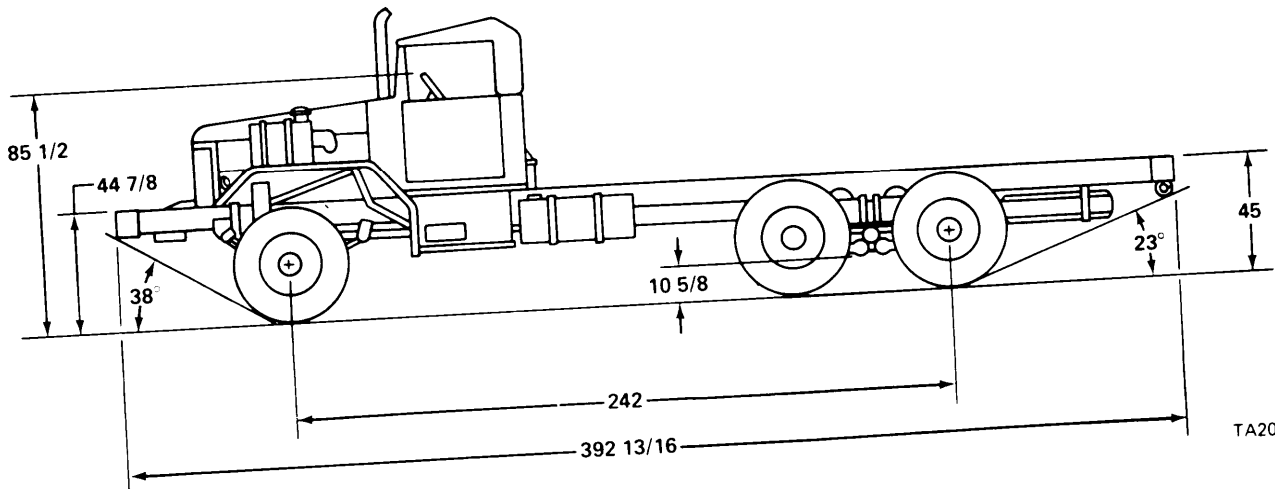
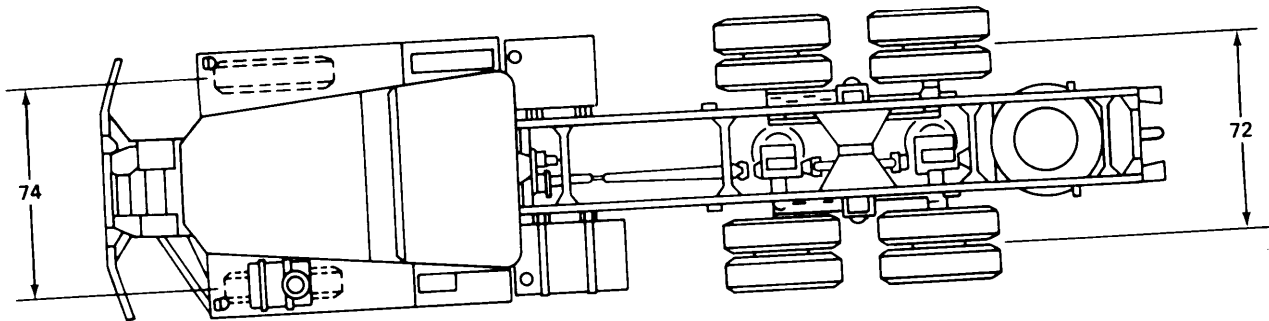
Weight: 19,020 lb

Cube: 1,349 cu ft

Ground Clearance: 10 1/2 in



NOTE:
ALL DIMENSIONS ARE IN INCHES.



TA208935

PURPOSE: To provide a chassis for mounting 5-ton capacity long wheelbase truck bodies.

GENERAL INFORMATION

Nomenclature: TRUCK, CHASSIS: 5-Ton,
6x6, W/Winch, W/E

Model Number: M811

Crew/Cab Capacity: 2

NSN: 2320-00-050-8985

LIN: No Basis Of Issue (NBOI)

SSN: D140000

TM: 9-2320-260-Series

CHARACTERISTICS

Horsepower: 225 bhp @ 2,100 rpm

Transmission: Manual; 5 Fwd, 1 Rev

Electrical System: 12 Volt

Tires: 11:00 x 20, 12-ply

Brakes: Air over hydraulic

Blackout Lights: Yes

PERFORMANCE DATA

Fording:

W/Kit: 78 in

WO/Kit: 30 in

Approach Angle: 38°

VEHICLE DATA

Type Classification & Date:

Replaces/Replaced By:

Life Expectancy: 20 Years

Payload: 15,100 lb

Towed Load Allowance: 15,000 lb

Air Transportability: Phase II

EQUIPMENT OPTIONS

Kits: 20 x 7 ft Stake Cargo Body (744 cu ft),
Fording, Winterization, Hard Top, Front Lift-
ing, Slave, Personnel Heater, Hot Water
Personnel Heater, Thermal Barrier, Air
Brake, Alternator Conversion, Air Drop,
Machine Gun Mounting, Windshield
Washer, Fire Extinguisher, Tachograph,
Seat Belt (Floating), Low Air Pressure
Warning Light

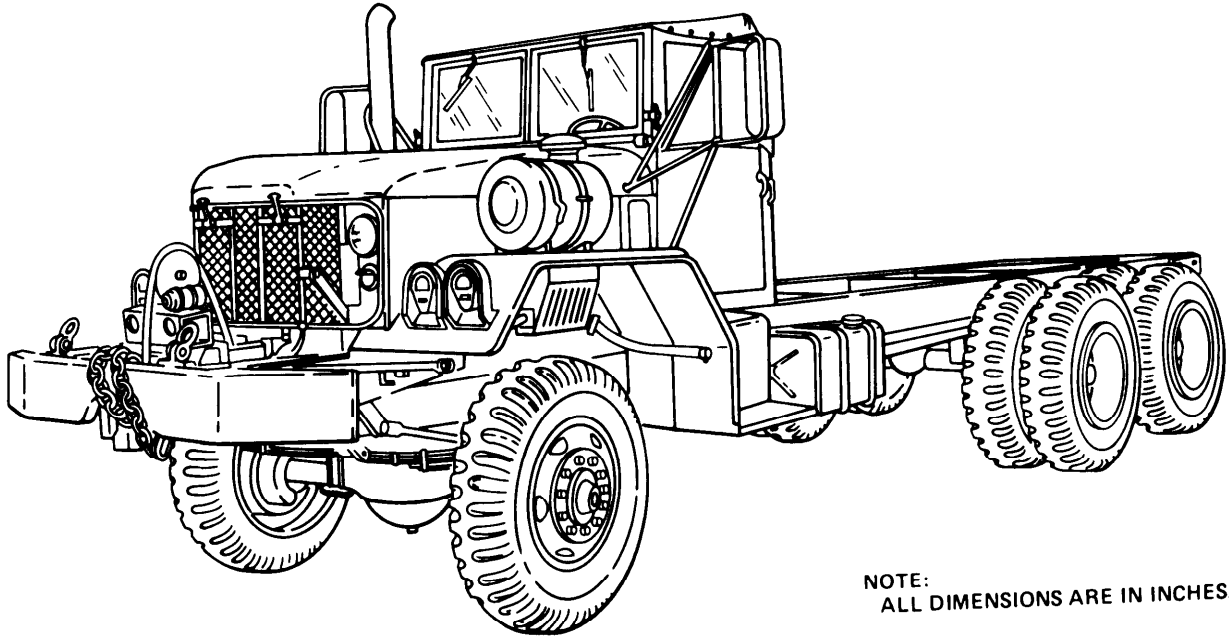
Winch: Yes

SHIPPING DATA

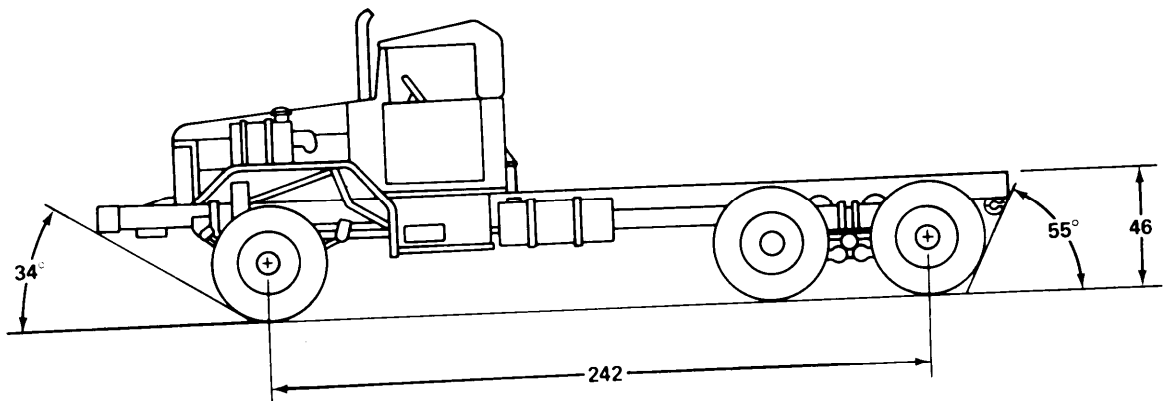
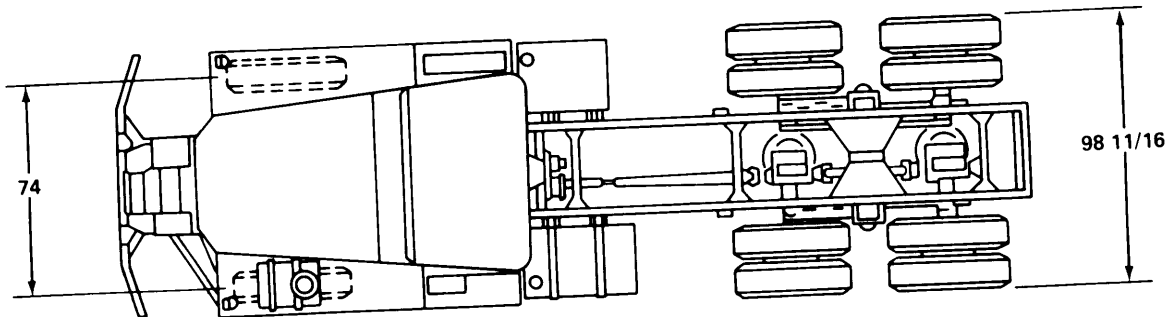
Weight: 20,425 lb

Cube: 1,901 cu ft

Ground Clearance: 10 5/8 in



NOTE:
ALL DIMENSIONS ARE IN INCHES.



TA208937

PURPOSE: To provide a chassis for mounting 5-ton capacity long wheelbase truck bodies.

GENERAL INFORMATION

Nomenclature: TRUCK, CHASSIS: 5-Ton,
6x6, W/Winch, W/E

Model Number: M811A1

Crew/Cab Capacity: 2

NSN: 2320-00-050-8989

LIN: No Basis Of Issue (NBOI)

SSN: 0140000

TM: 9-2320-260-Series

CHARACTERISTICS

Horsepower: 225 bhp @ 2,100 rpm

Transmission: Manual; 5 Fwd, 1 Rev

Electrical System: 12 Volt

Tires: 11:00 x 20, 12-ply

Brakes: Air over hydraulic

Blackout Lights: Yes

PERFORMANCE DATA

Fording:

W/Kit: 78 in

WO/Kit: 30 in

Approach Angle: 34°

VEHICLE DATA

Type Classification & Date:

Replaces/Replaced By:

Life Expectancy: 20 Years

Payload: 10,000 lb

Towed Load Allowance: 26,031 lb

Air Transportability: Phase II

EQUIPMENT OPTIONS

Kits: Fording, Winterization, Hard Top, Front Lifting, Slave, Personnel Heater, Hot Water Personnel Heater, Thermal Barrier, Air Brake, Alternator Conversion, Air Drop, Machine Gun Mounting, Windshield Washer, Fire Extinguisher, Tachograph, Seat Belt (Floating), Low Air Pressure Warning Light

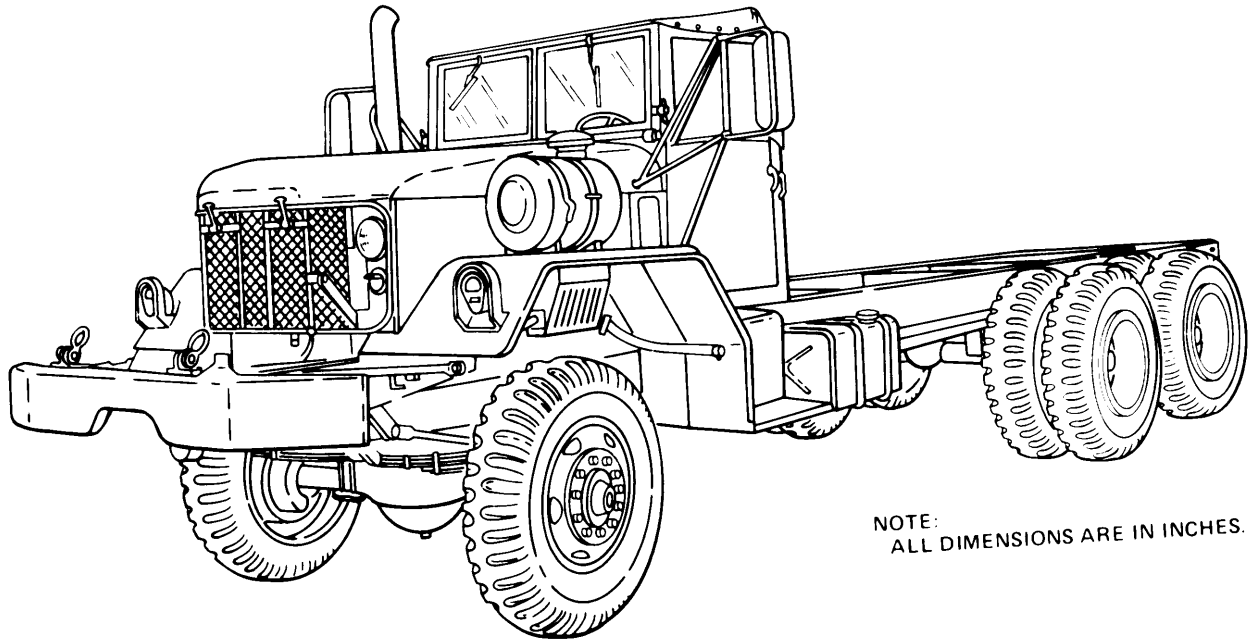
Winch: Yes

SHIPPING DATA

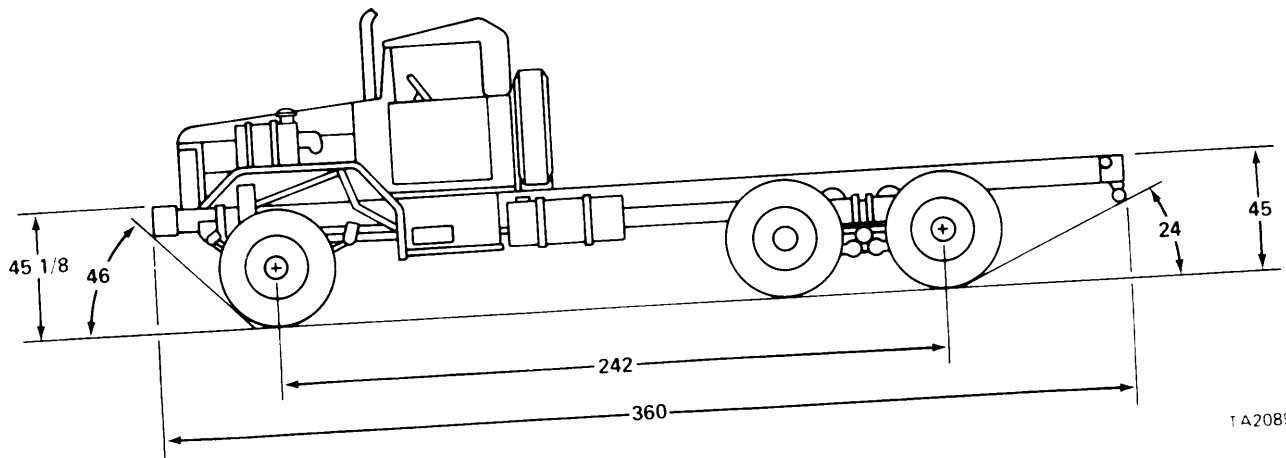
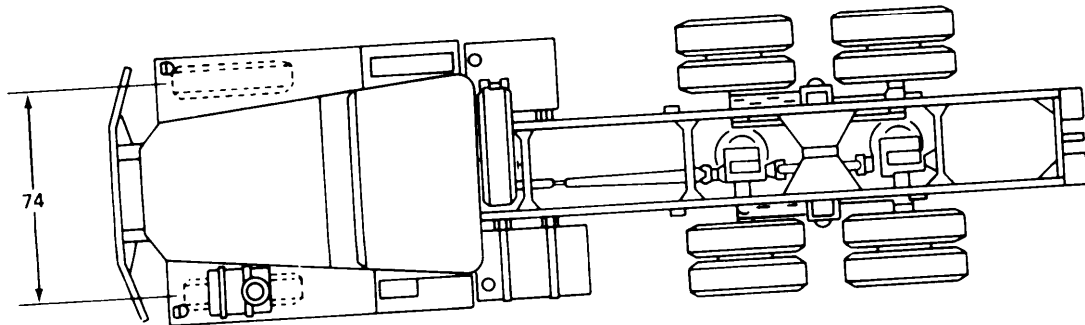
Weight: 20,514 lb

Cube: 1,666 cu ft

Ground Clearance: 11 3/8 in



NOTE:
ALL DIMENSIONS ARE IN INCHES.



TA208938

PURPOSE: To provide a chassis for mounting 5-ton capacity long wheelbase truck bodies.

GENERAL INFORMATION

Nomenclature: TRUCK, CHASSIS: 5-Ton,
6x6, WO/Winch, W/E

Model Number: M811A2

Crew/Cab Capacity: 2

NSN: 2320-00-050-9005

LIN: No Basis Of Issue (NBOI)

SSN: D140000

TM: 9-2320-260-Series

CHARACTERISTICS

Horsepower: 225 bhp @ 2,100 rpm

Transmission: Manual; 5 Fwd, 1 Rev

Electrical System: 12 Volt

Tires: 11:00 x 20, 12-ply

Brakes: Air over hydraulic

Blackout Lights: Yes

PERFORMANCE DATA

Fording:

W/Kit: 78 in

WO/Kit: 30 in

Approach Angle: 46 Degrees

VEHICLE DATA

Type Classification & Date:

Replaces/Replaced By:

Life Expectancy: 20 Years

Payload: 13,300 lb

Towed Load Allowance: 15,000 lb

Air Transportability: Phase II

EQUIPMENT OPTIONS

Kits: Fording, Winterization, Hard Top, Front Lifting, Slave, Personnel Heater, Hot Water Personnel Heater, Thermal Barrier, Air Brake, Alternator Conversion, Air Drop, Machine Gun Mounting, Windshield Washer, Fire Extinguisher, Tachograph, Seat Belt (Floating), Low Air Pressure Warning Light

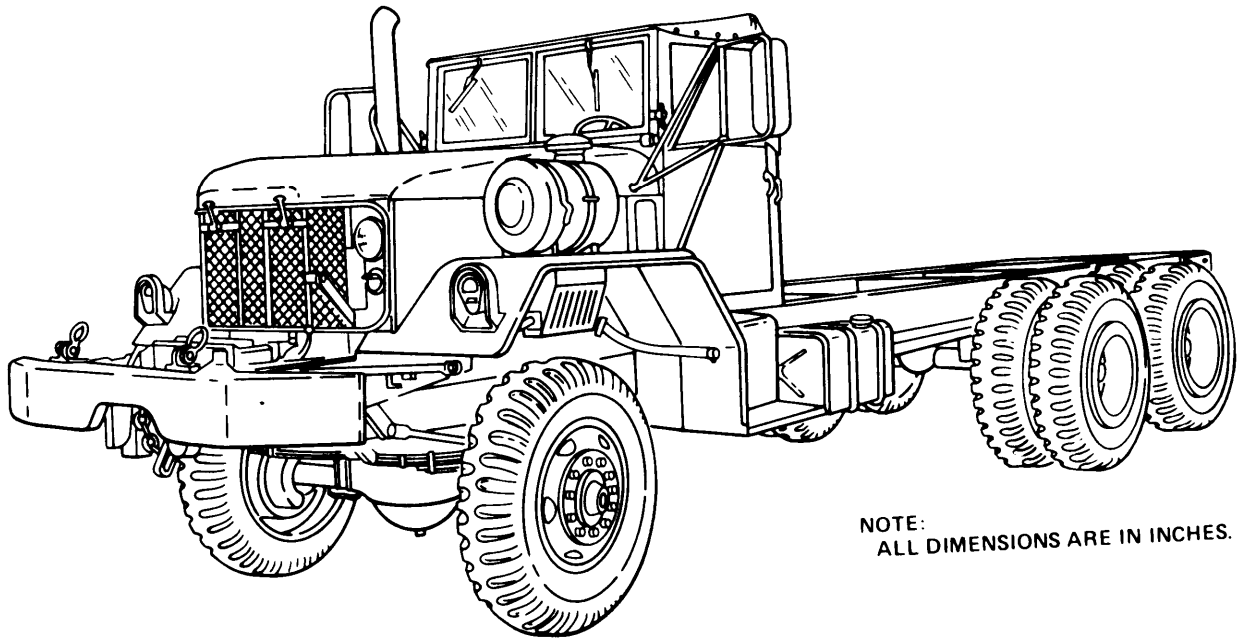
Winch: No

SHIPPING DATA

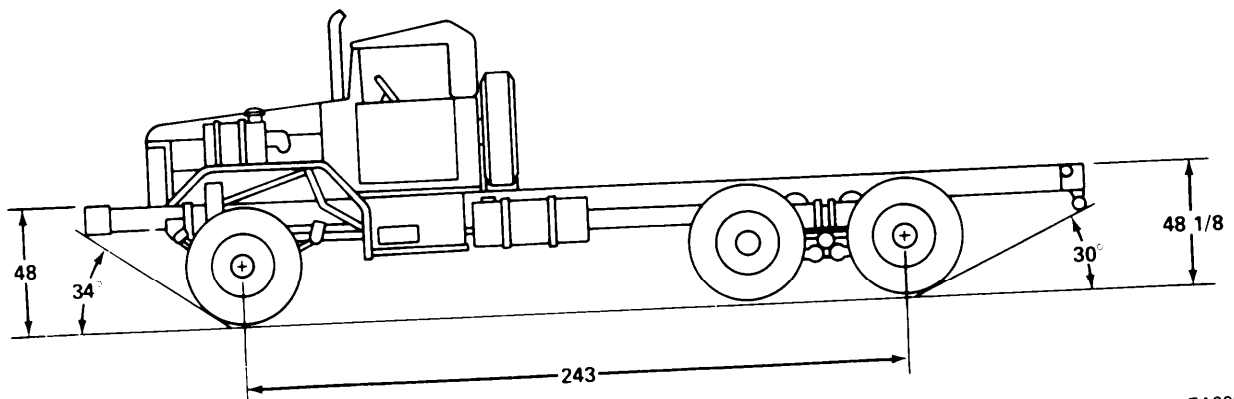
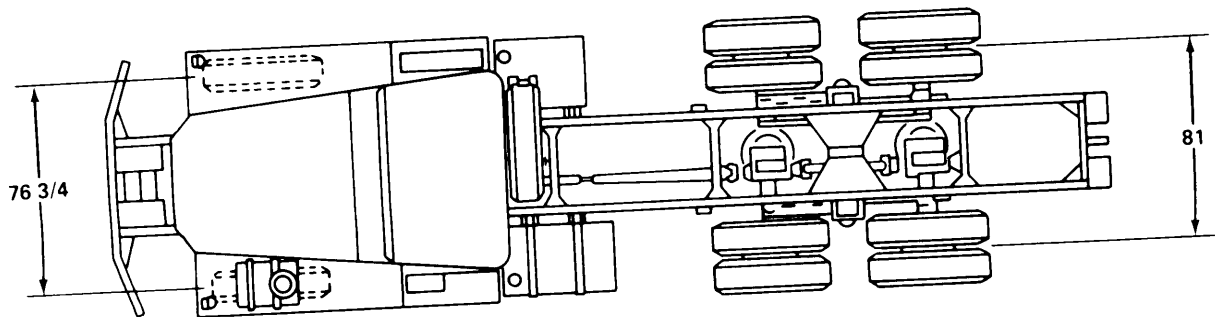
Weight: 18,648 lb

Cube: 1,773 cu ft

Ground Clearance: 10 5/8 in



NOTE:
ALL DIMENSIONS ARE IN INCHES.



TA208939

PURPOSE: To provide a chassis for mounting 5-ton capacity truck bodies.

GENERAL INFORMATION

Nomenclature: TRUCK, CHASSIS: 5-Ton,
6x6, W/Winch, W/E

Model Number: M812

Crew/Cab Capacity: 2

NSN: 2320-00-050-9011

LIN: No Basis Of Issue (NBOI)

SSN: 0140000

TM: 9-2320-260-Series

CHARACTERISTICS

Horsepower: 225 bhp @ 2,100 rpm

Transmission: Manual; 5 Fwd, 1 Rev

Electrical System: 12 Volt

Tires: 14:00 x 20, 12-Ply

Brakes: Air over hydraulic

Blackout Lights: Yes

PERFORMANCE DATA

Fording:

W/Kit: 78 in

WO/Kit: 30 in

Approach Angle: 34 Degrees

VEHICLE DATA

Type Classification & Date:

Replaces/Replaced By:

Life Expectancy: 20 Years

Payload: 16,000 lb

Towed Load Allowance: 15,000 lb

Air Transportability: Phase II

EQUIPMENT OPTIONS

Kits: Fording, Winterization, Hard Top, Front Lifting, Slave, Personnel Heater, Hot Water Personnel Heater, Thermal Barrier, Air Brake, Alternator Conversion, Air Drop, Machine Gun Mounting, Windshield Washer, Fire Extinguisher, Tachograph, Seat Belt (Floating), Low Air Pressure Warning Light

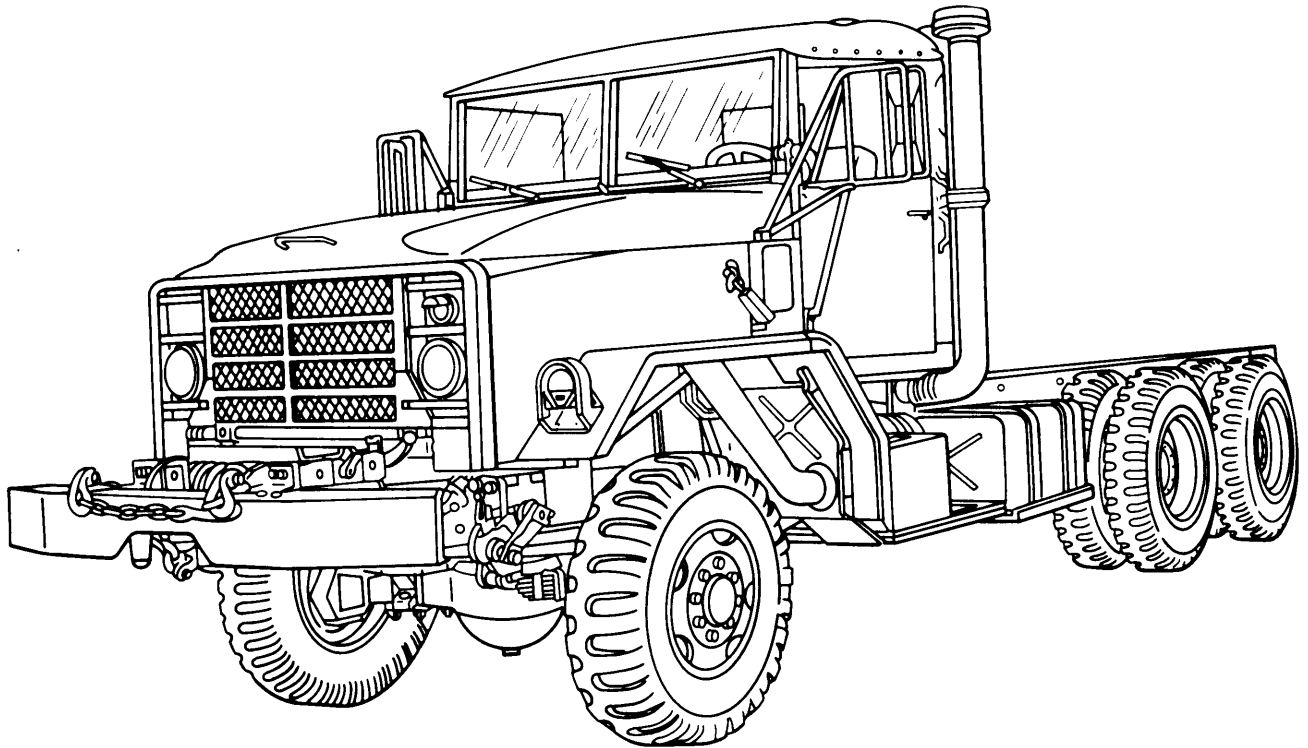
Winch: Yes

SHIPPING DATA

Weight: 21,501 lb

Cube: 2,239 cu ft

Ground Clearance: 13 in



PURPOSE: Designed for use on all types of roads, highways, and cross-country terrain.

GENERAL INFORMATION

Nomenclature: TRUCK, CHASSIS: 5-Ton,
6x6, W/Winch, W/E

Model Number: M939

Crew/Cab Capacity: 3

NSN: 2320-01-048-2450

LIN: No Basis of Issue (NBOI)

SSN: 0140000

TM: 9-2320-272-Series

CHARACTERISTICS

Horsepower: 240 bhp @ 2,100 rpm

Transmission: Manual; 5 Fwd, 1 Rev

Electrical System: 12 Volt

Tires: 11:00 x 20

Brakes: Air

Blackout Lights: Yes

PERFORMANCE DATA

Fording:

W/Kit: 78 in

WO/Kit: 30 in

Approach Angle: 46 Degrees

VEHICLE DATA

Type Classification & Date:

Replaces/Replaced By:

Life Expectancy:

Payload: 10,000 lb

Towed Load Allowance: 15,000 lb

Air Transportability:

EQUIPMENT OPTIONS

Kits: "A" Frame, Airbrake Hand Control,
Arctic, Deep Water Fording, Electric Brake,
Troop Seat, Tarpaulin

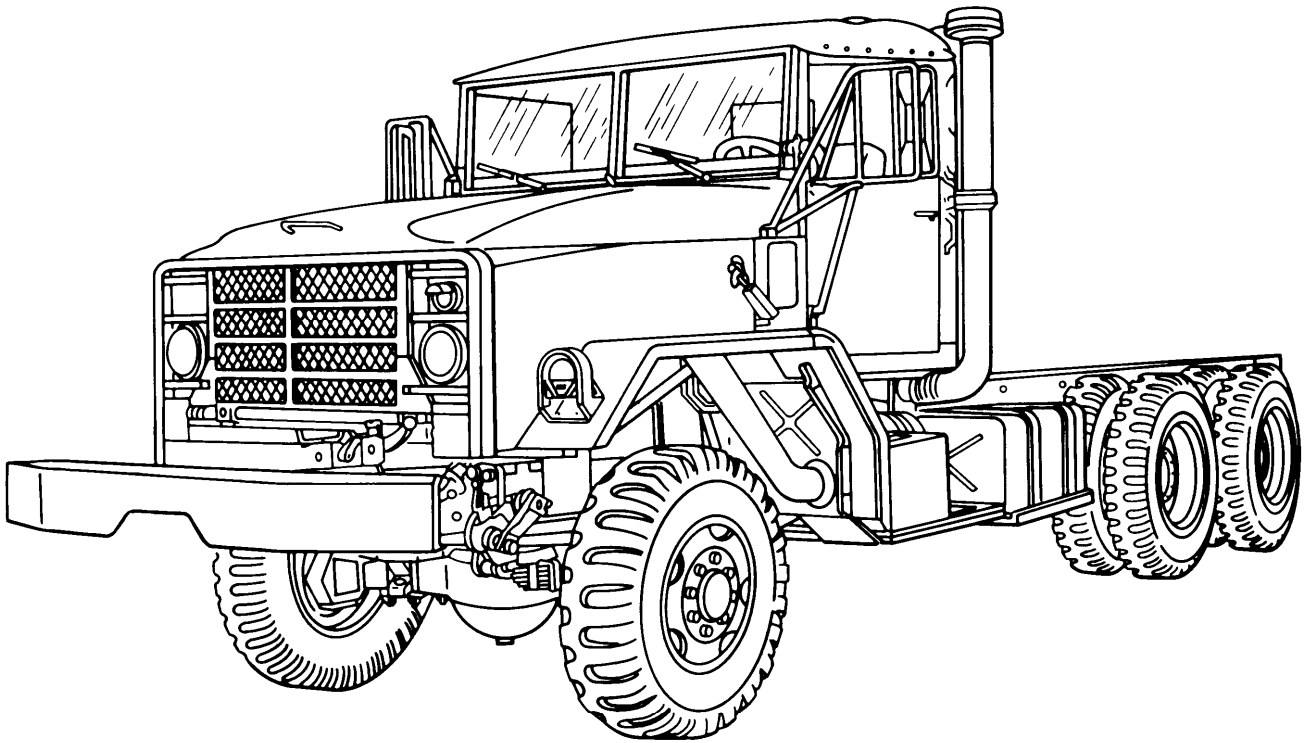
Winch: Yes

SHIPPING DATA

Weight: 10,377 lb

Cube: 1,690 cu ft

Ground Clearance: 10 1/2 in



PURPOSE: For use on all types of roads, highways, and cross-country terrain.

GENERAL INFORMATION

Nomenclature: TRUCK, CHASSIS: 5-Ton,
6x6, WO/Winch, W/E

Model Number: M939

Crew/Cab Capacity: 3

NSN: 2320-01-047-8744

LIN:

SSN: D140000

TM: 9-2320-272-Series

CHARACTERISTICS

Horsepower: 240 bhp @ 2,100 rpm

Transmission: Manual; 5 Fwd, 1 Rev

Electrical System: 12 Volt

Tires: 11:00 x 20

Brakes: Air

Blackout Lights: Yes

PERFORMANCE DATA

Fording:

W/Kit: 78 in

WO/Kit: 30 in

Approach Angle: 46 Degrees

VEHICLE DATA

Type Classification & Date: Std A, 1979

Replaces/Replaced By: M809

Life Expectancy: 20 Years

Payload: 10,000 lb

Towed Load Allowance: 15,000 lb

Air Transportability:

EQUIPMENT OPTIONS

Kits: 100 Amp Alternator, Radiator and Hood Cover, Engine Coolant Heater, Fuel Burning Heater, Chemical Alarm, Deep Water Fording, Gun Ring Mounting, Machine Gun Adapter, M13 Decontamination, Swingfire Heater

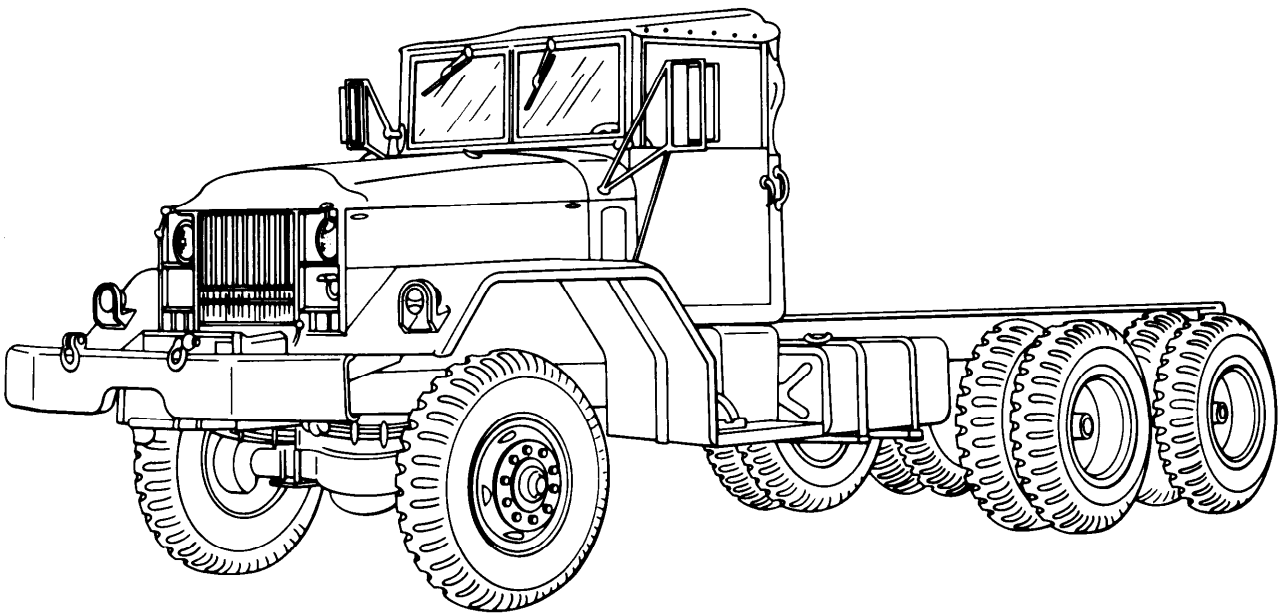
Winch: No

SHIPPING DATA

Weight: 18,790 lb

Cube: 1,690 cu ft

Ground Clearance: 10 1/2 in



PURPOSE: Designed for use on all types of roads, highway, and cross-country terrain.

GENERAL INFORMATION

Nomenclature: TRUCK, CHASSIS: 5-Ton,
6x6, W/Winch, W/E

Model Number: M940

Crew/Cab Capacity: 3

NSN: 2320-01-047-8743

LIN:

SSN: D140000

TM: 9-2320-272-Series

CHARACTERISTICS

Horsepower: 240 bhp @ 2,100 rpm

Transmission: Manual; 5 Fwd, 1 Rev

Electrical System: 12 Volt

Tires: 11:00 x 20

Brakes: Air

Blackout Lights: Yes

PERFORMANCE DATA

Fording:

W/Kit: 78 in

WO/Kit: 30 in

Approach Angle: 31 Degrees

VEHICLE DATA

Type Classification & Date: Std A, 1979

Replaces/Replaced By:

Life Expectancy: 20 Years

Payload: 7,000 lb

Towed Load Allowance: 20,000 lb

Air Transportability:

EQUIPMENT OPTIONS

Kits: "A" Frame, Airbrake Hand Control,
Arctic, Deep Water Fording, Electric Brake,
Troop Seat, Tarpaulin

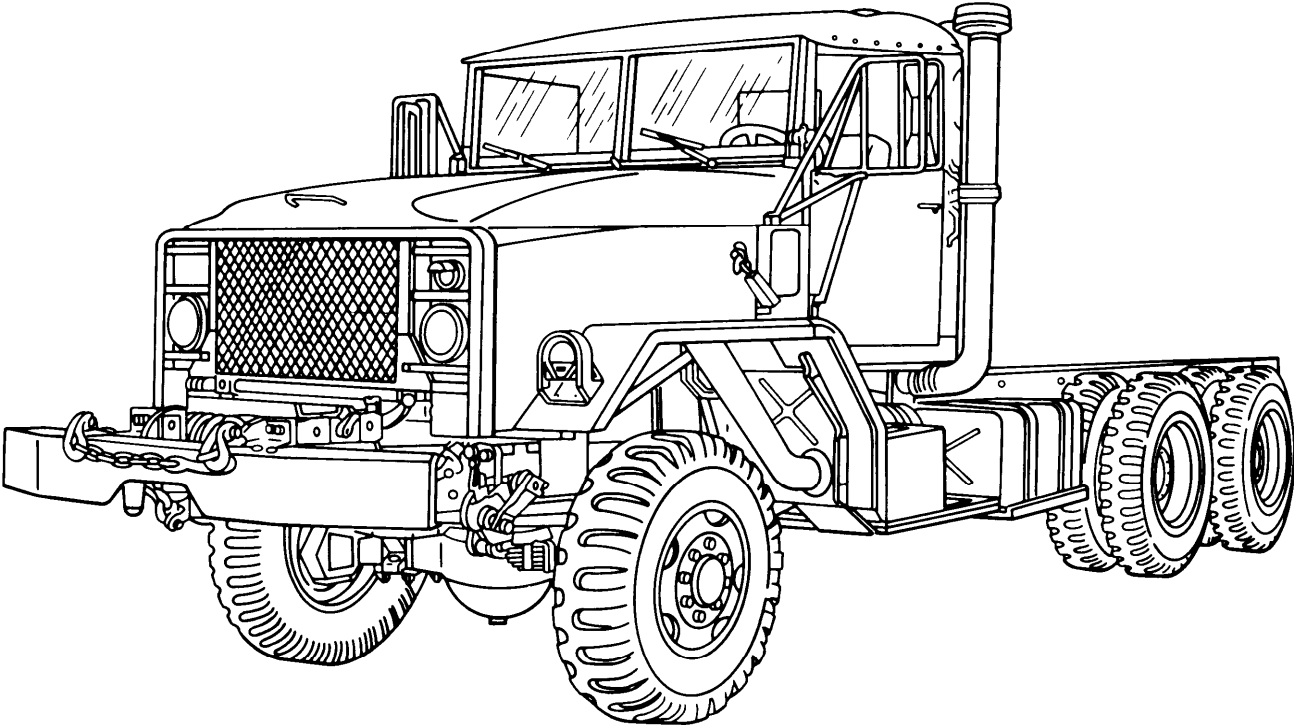
Winch: Yes

SHIPPING DATA

Weight: 17,463 lb

Cube: 2,135 cu ft

Ground Clearance: 10 1/2 in



TA209013

PURPOSE: Designed for use on all types of roads, highways, and cross-country terrain.

GENERAL INFORMATION

Nomenclature: TRUCK, CHASSIS: 5-Ton,
6x6, W/Winch, W/E

Model Number: M941

Crew/Cab Capacity: 3

NSN: 2320-01-047-8741

LIN:

SSN: D140000

TM: 9-2320-272-Series

CHARACTERISTICS

Horsepower: 240 bhp @ 2,100 rpm

Transmission: Manual; 5 Fwd, 1 Rev

Electrical System: 12 Volt

Tires: 11:00 x 20

Brakes: Air

Blackout Lights: Yes

PERFORMANCE DATA

Fording:

W/Kit: 78 in

WO/Kit: 30 in

Approach Angle: 31 Degrees

VEHICLE DATA

Type Classification & Date: Std A, 1979

Replaces/Replaced By: M810

Life Expectancy: 20 Years

Payload: 10,000 lb

Towed Load Allowance: 15,000 lb

Air Transportability:

EQUIPMENT OPTIONS

Kits: 100 Amp Alternator, Radiator and Hood Cover, Engine Coolant Heater, Fuel Burning Heater, Chemical Alarm, Deep Water Fording, Gun Ring Mounting, Machine Gun Adapter, "A" Frame, M13 Decontamination, Swingfire Heater

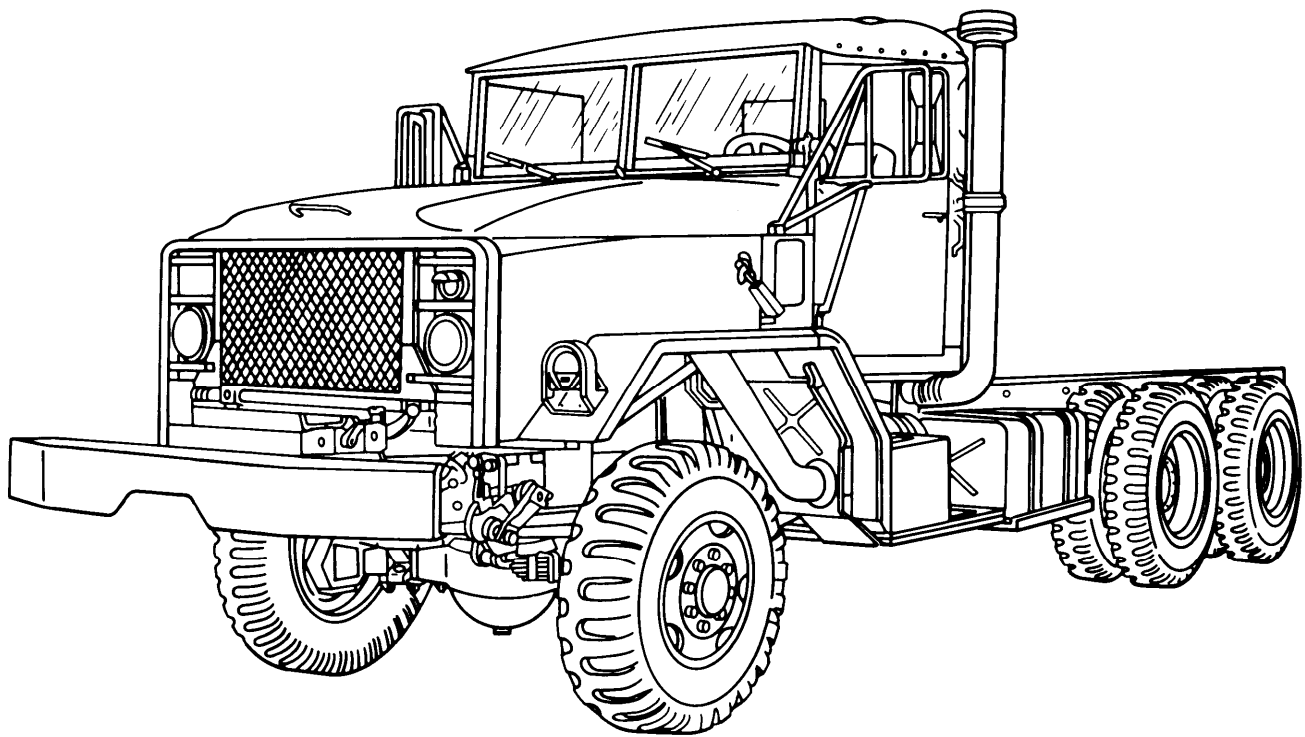
Winch: Yes

SHIPPING DATA

Weight: 20,100 lb

Cube: 1,371 cu ft

Ground Clearance: 10 1/2 in



PURPOSE: Designed for use on all types of roads, highways, and cross-country terrain.

GENERAL INFORMATION

Nomenclature: TRUCK, CHASSIS: 5-Ton,
6x6, WO/Winch, W/E

Model Number: M941

Crew/Cab Capacity: 3

NSN: 2320-01-047-8742

LIN:

SSN: D140000

TM: 9-2320-272-Series

CHARACTERISTICS

Horsepower: 240 bhp @ 2,100 rpm

Transmission: Manual; 5 Fwd, 1 Rev

Electrical System: 12 Volt

Tires: 11:00 x 20

Brakes: Air

Blackout Lights: Yes

PERFORMANCE DATA

Fording:

W/Kit: 78 in

WO/Kit: 30 in

Approach Angle: 31 Degrees

VEHICLE DATA

Type Classification & Date: Std A, 1979

Replaces/Replaced By:

Life Expectancy: 20 Years

Payload: 10,000 lb

Towed Load Allowance: 15,000 lb

Air Transportability:

EQUIPMENT OPTIONS

Kits: "A" Frame, Air Brake Hand Control,
Arctic, Deep Water Fording, Electric Brake,
Troop Seat, Tarpaulin

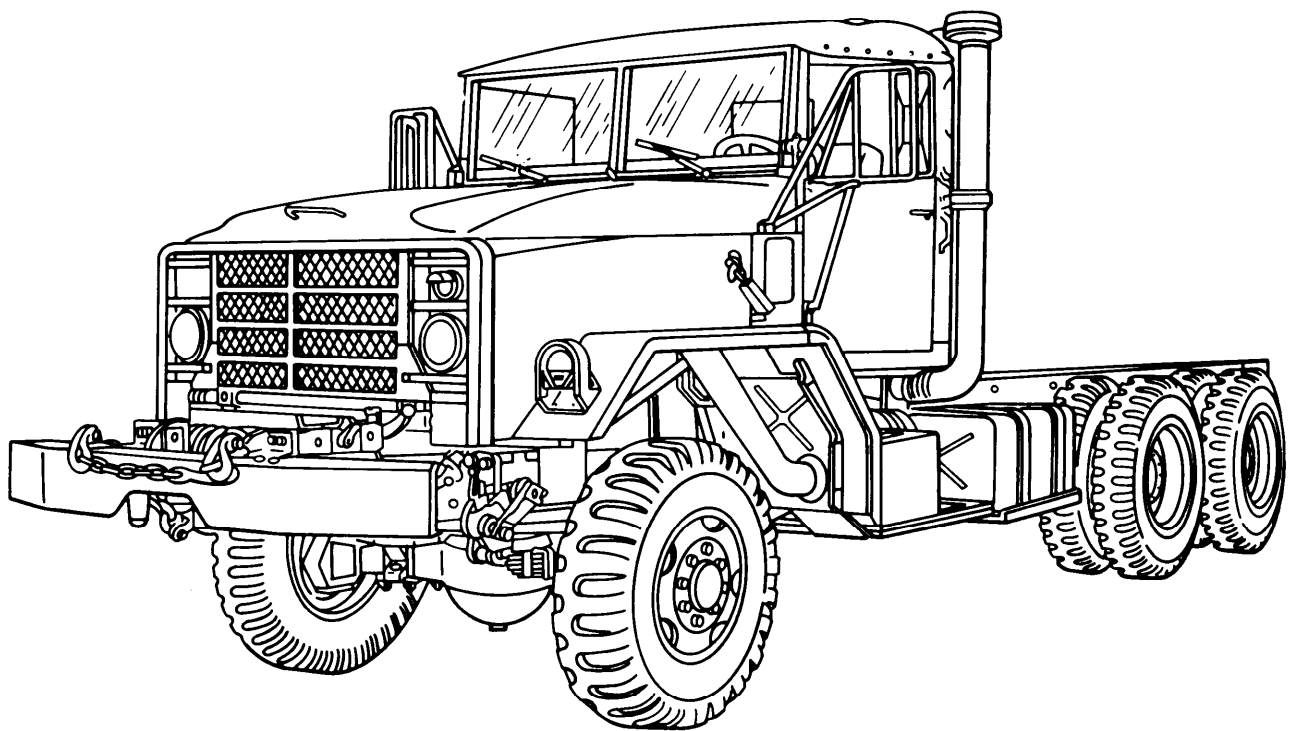
Winch: No

SHIPPING DATA

Weight: 9,694 lb

Cube: 1,371 cu ft

Ground Clearance: 10 1/2 in



TA209014

PURPOSE: Designed for use on all types of roads, highways, and cross-country terrain.

GENERAL INFORMATION

Nomenclature: TRUCK, CHASSIS: 5-Ton,
6x6, W/Winch, W/E

Model Number: M942

Crew/Cab Capacity: 3

NSN: 2320-01-047-8738

LIN:

SSN: D140000

TM: 9-2320-272-Series

CHARACTERISTICS

Horsepower: 240 bhp @ 2,100 rpm

Transmission: Manual; 5 Fwd, 1 Rev

Electrical System: 12 Volt

Tires: 11:00 x 20

Brakes: Air

Blackout Lights: Yes

PERFORMANCE DATA

Fording:

W/Kit: 78 in

WO/Kit: 30 in

Approach Angle: 31 Degrees

VEHICLE DATA

Type Classification & Date: Std A, 1979

Replaces/Replaced By:

Life Expectancy: 20 Years

Payload: 10,000 lb

Towed Load Allowance: 15,000 lb

Air Transportability:

EQUIPMENT OPTIONS

Kits: "A" Frame, Air Brake Hand Control,
Arctic, Deep Water Fording, Electric Brake,
Troop Seat, Tarpaulin

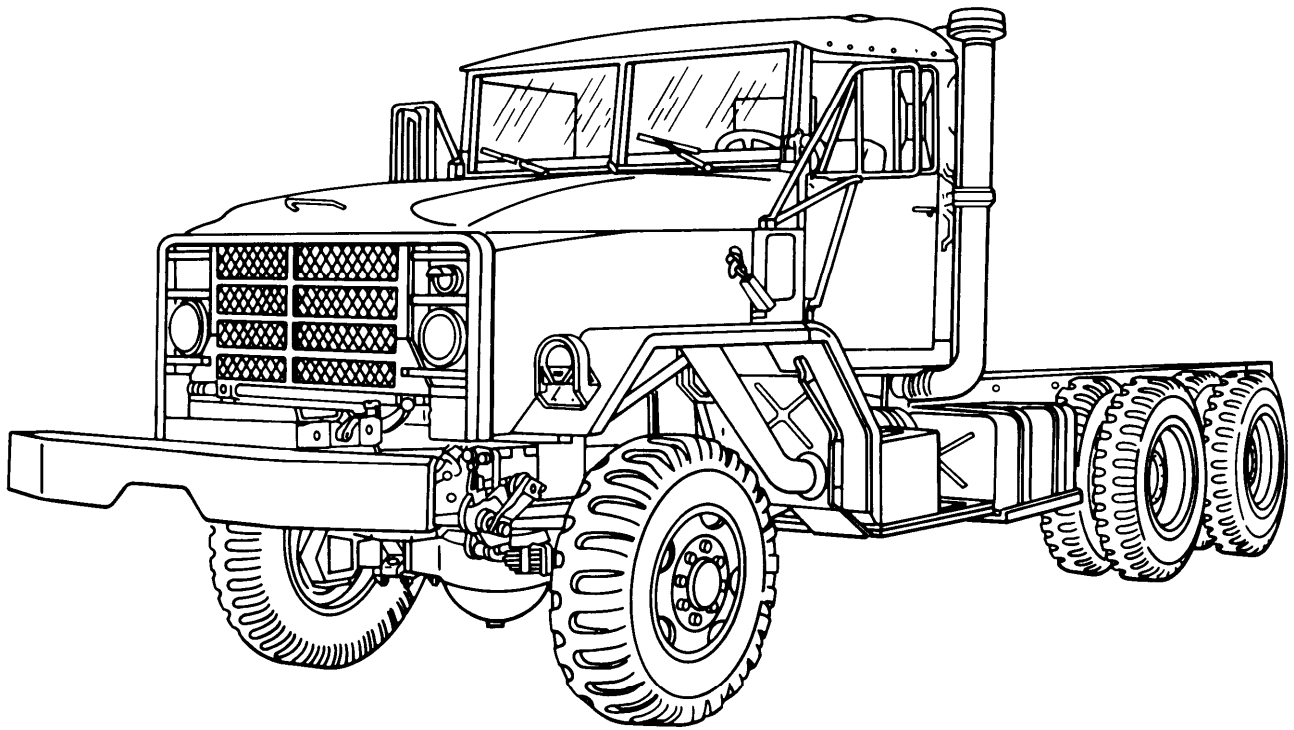
Winch: Yes

SHIPPING DATA

Weight: 26,607 lb

Cube: 1,971 cu ft

Ground Clearance: 10 1/2 in



TA209201

PURPOSE: Designed for use on all types of roads, highways, and cross-country terrain.

GENERAL INFORMATION

Nomenclature: TRUCK, CHASSIS: 5-Ton,
6x6, WO/Winch, W/E

Model Number: M942

Crew/Cab Capacity: 3

NSN: 2320-01-047-8739

LIN:

SSN: D140000

TM: 9-2320-272-Series

CHARACTERISTICS

Horsepower: 240 bhp @ 2,100 rpm

Transmission: Manual; 5 Fwd, 1 Rev

Electrical System: 12 Volt

Tires: 11:00 x 20

Brakes: Air

Blackout Lights: Yes

PERFORMANCE DATA

Fording:

W/Kit: 78 in

WO/Kit: 30 in

Approach Angle: 31 Degrees

VEHICLE DATA

Type Classification & Date: Std A, 1979

Replaces/Replaced By:

Life Expectancy: 20 Years

Payload: 10,000 lb

Towed Load Allowance: 15,000 lb

Air Transportability:

EQUIPMENT OPTIONS

Kits: "A" Frame, Air Brake Hand Control,
Arctic, Deep Water Fording, Electric Brake,
Troop Seat, Tarpaulin

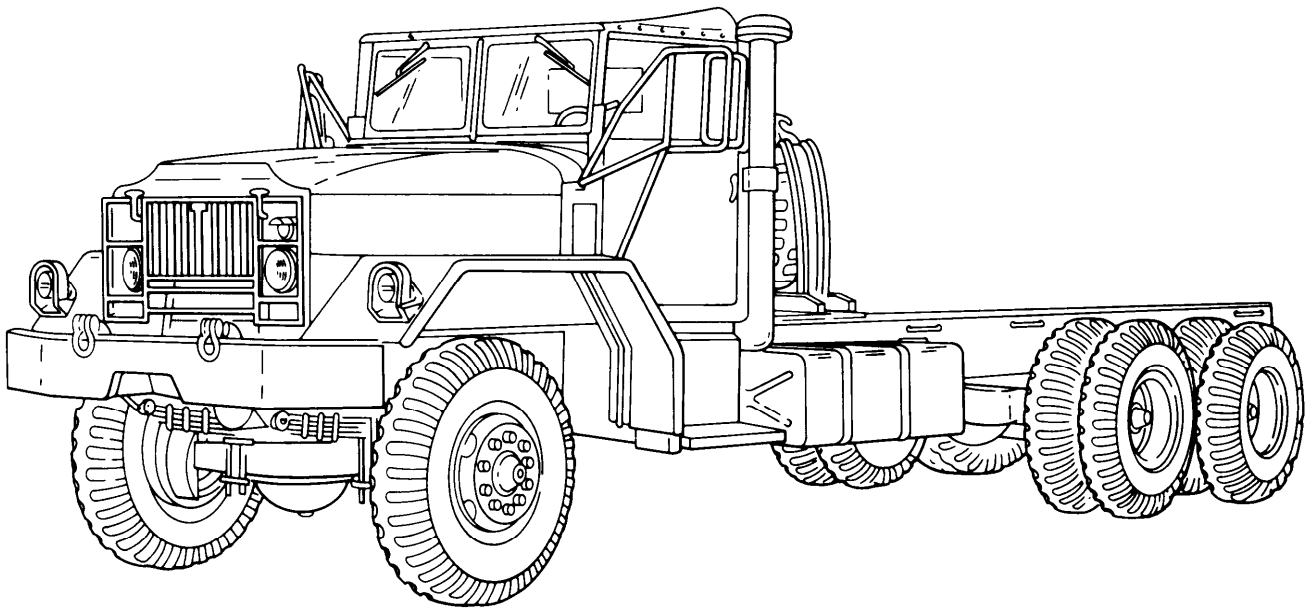
Winch: No

SHIPPING DATA

Weight: 26,607 lb

Cube: 1,971 cu ft

Ground Clearance: 10 1/2 in



TA209015

PURPOSE: Designed for use on all types of roads, highways and cross-country terrain.

GENERAL INFORMATION

Nomenclature: TRUCK, CHASSIS: 5-Ton,
6x6, WO/Winch, W/E

Model Number: M944

Crew/Cab Capacity: 3

NSN: 2320-01-047-8745

LIN:

SSN: D140000

TM: 9-2320-272-Series

CHARACTERISTICS

Horsepower: 240 bhp @ 2,100 rpm

Transmission: Manual; 5 fwd, 1 rev

Electrical System: 12 Volt

Tires: 11:00 x 20

Brakes: Air

Blackout Lights: Yes

PERFORMANCE DATA

Fording:

W/Kit: 78 in

WO/Kit: 30 in

Approach Angle: 46 Degrees

VEHICLE DATA

Type Classification & Date: Std A, 1977

Replaces:

Life Expectancy: 20 Years

Payload: 5,000 lb

Towed Load Allowance: 15,000 lb

Air Transportability:

EQUIPMENT OPTIONS

Kits: "A" Frame, Air Brake Hand Control,
Arctic, Deep Water Fording, Electric Brake,
Troop Seat, Tarpaulin

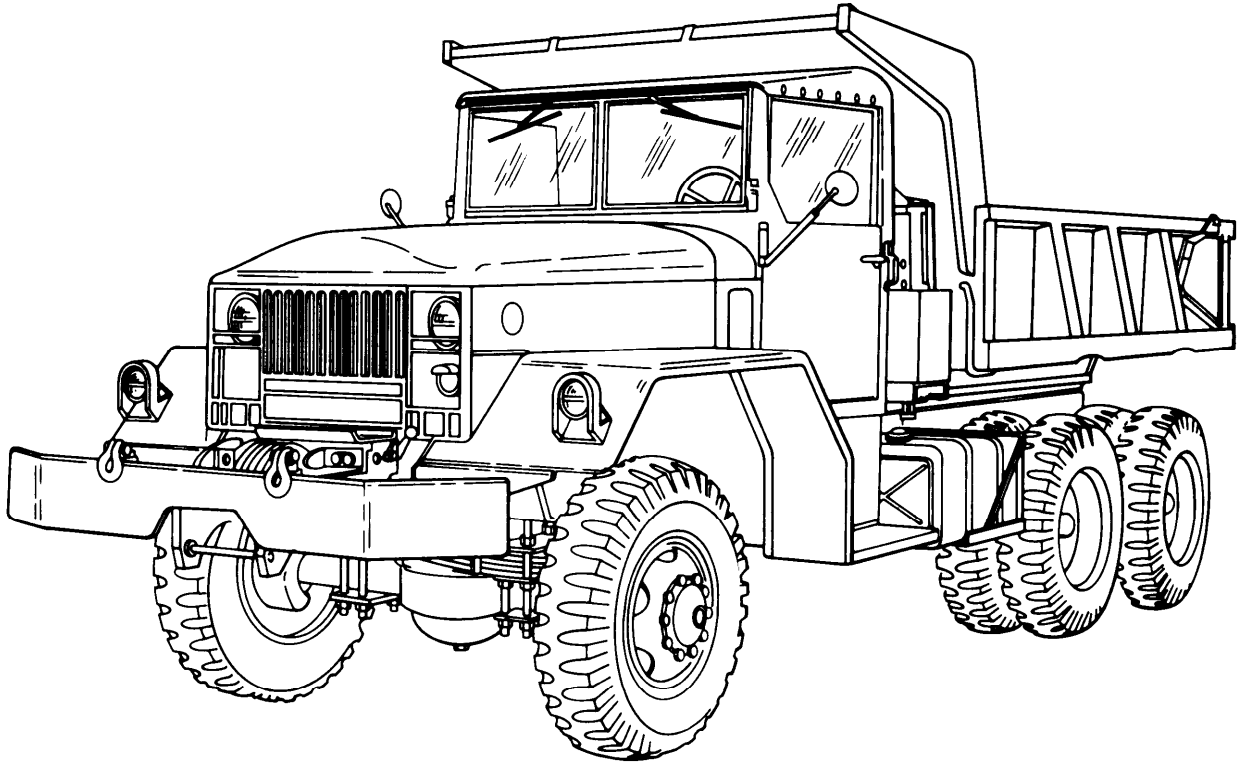
Winch: No

SHIPPING DATA

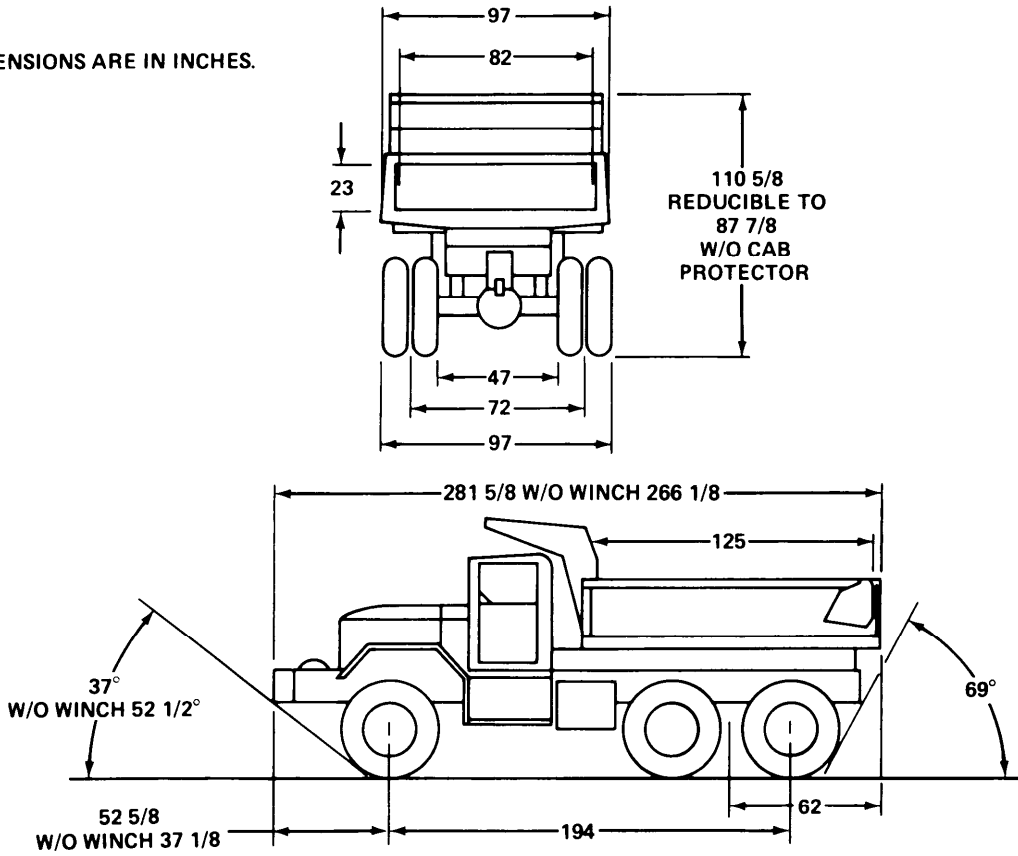
Weight: 29,437 lb

Cube: 2,780 cu ft

Ground Clearance: 10 1/2 in



NOTE:
ALL DIMENSIONS ARE IN INCHES.



TA208915

PURPOSE: Used to haul and dump sand, gravel, etc., and to transport general cargo.

GENERAL INFORMATION

Nomenclature: TRUCK, DUMP:
5 Ton, 6x6, W/Winch

Model Number: M51

Crew/Cab Capacity: 2

NSN: 2320-00-835-8337

LIN: X43845

SSN: D140040

TM: 9-2320-211-Series

CHARACTERISTICS

Horsepower: 196 bhp @ 2,800 rpm

Transmission: Manual; 5 Fwd, 1 Rev

Electrical System: 24 Volt

Tires: 11:00 x 20, 12-ply

Brakes: Air actuated hydraulic

Blackout Lights: Yes

PERFORMANCE DATA

Fording:

W/Kit: 78 in

WO/Kit: 30 in

Approach Angle: 37 Degrees

VEHICLE DATA

Type Classification & Date: Std B, 1963

Replaced by: M817

Life Expectancy: 20 Years

Payload: 10,000 lb

Towed Load Allowance: 15,000 lb

Air Transportability: Phase II,
Unladen

EQUIPMENT OPTIONS

Kits: Fording, Personnel
Heater, Windshield Washer

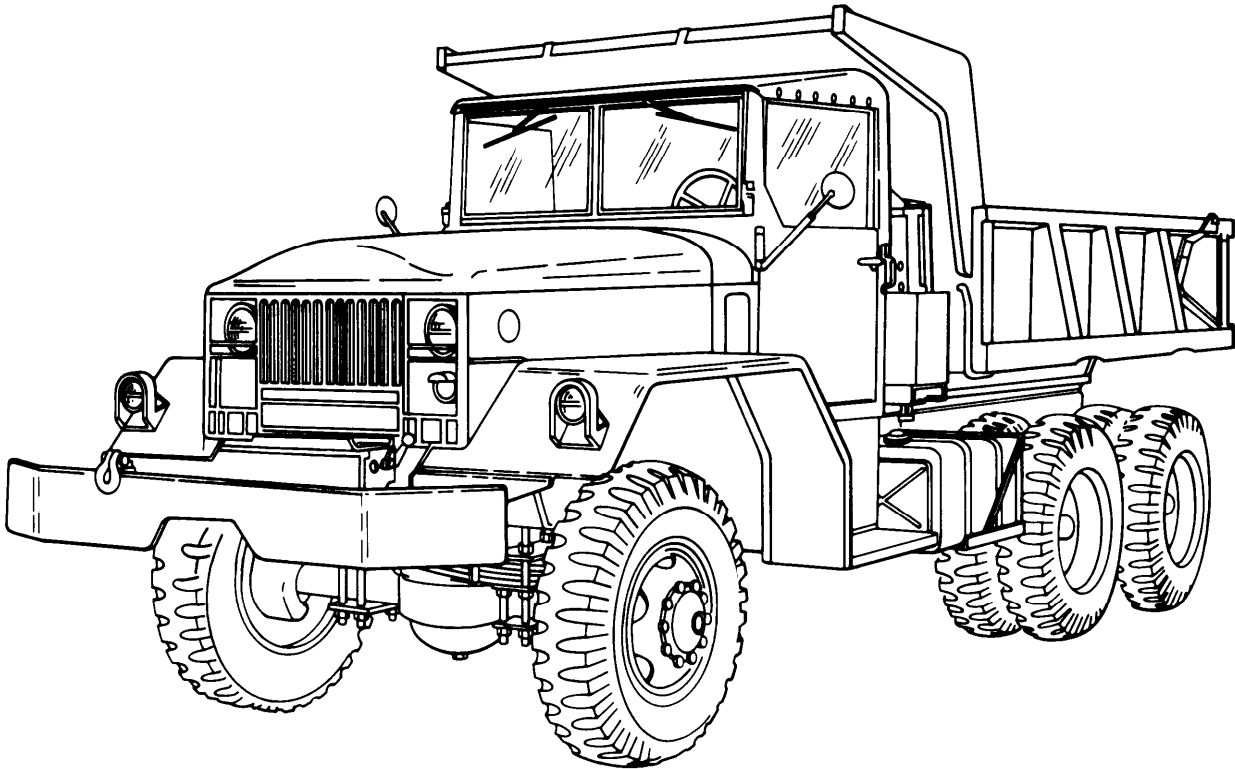
Winch: Yes

SHIPPING DATA

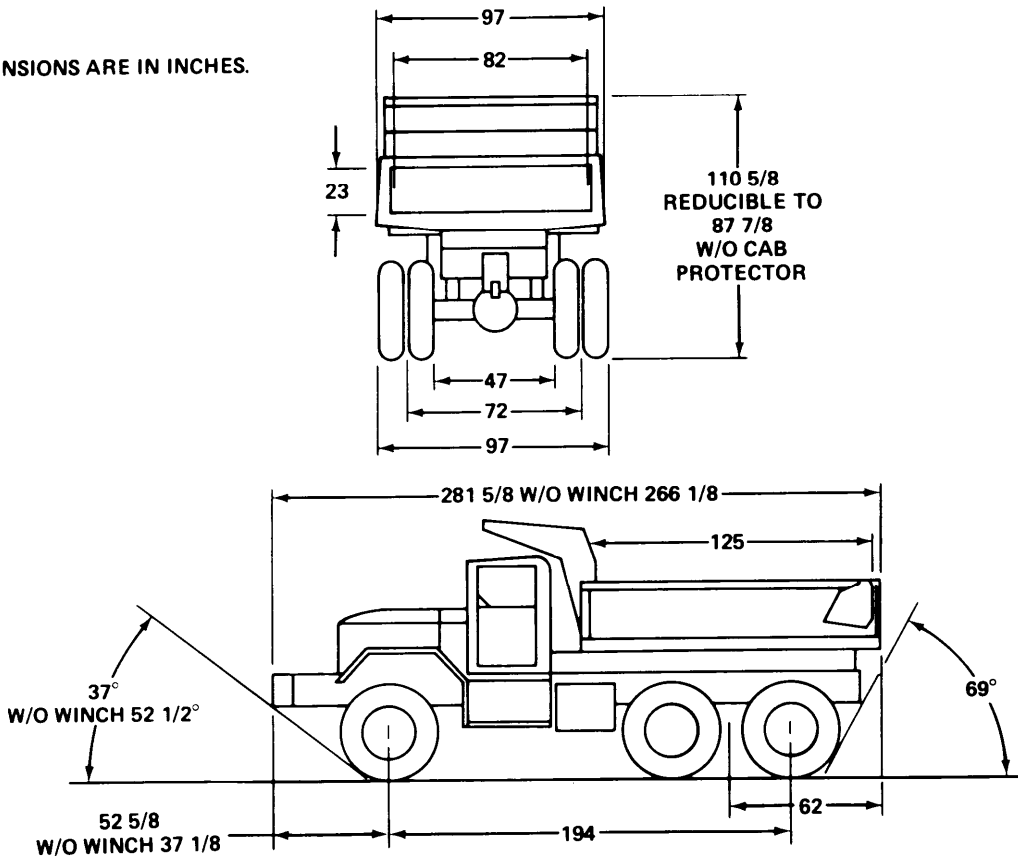
Weight: 22,644 lb

Cube:

Ground Clearance: 10 5/8 in



NOTE:
ALL DIMENSIONS ARE IN INCHES.



TA209202

PURPOSE: Used to haul and dump sand, gravel, coal, etc. Can also be used for general cargo.

GENERAL INFORMATION

Nomenclature: TRUCK, DUMP:
5-Ton, 6 x 6, WO/Winch

Model Number: M51

Crew/Cab Capacity: 2

NSN: 2320-00-835-8336

LIN: X43708

SSN: D140040

TM: 9-2320-21 I-Series

CHARACTERISTICS

Horsepower: 196 bhp @ 2,800 rpm

Transmission: Manual; 5 Fwd, 1 Rev

Electrical System: 24 Volt

Tires: 11:00 x 20, 12-ply

Brakes: Air actuated hydraulic

Blackout Lights: Yes

PERFORMANCE DATA

Fording:

W/Kit: 78 in

WO/Kit: 30 in

Approach Angle: 52 1/2 Degrees

VEHICLE DATA

Type Classification & Date: Std B, 1962

Replaced by: M817

Life Expectancy: 20 Years

Payload: 10,000 lb

Towed Load Allowance: 15,000 lb

Air Transportability: Phase II, Unladen

EQUIPMENT OPTIONS

Kits: Fording, Personnel Heater,
Windshield Washer

Winch: No

SHIPPING DATA

Weight: 21,981 lb

Cube:

Ground Clearance: 10 5/8 in

PURPOSE: To haul and dump sand, gravel, coal, etc. Can also be used for general cargo.

GENERAL INFORMATION

Nomenclature: TRUCK, DUMP: 5-Ton,
6x6, W/Winch, W/E

Model Number: M51A1

Crew/Cab Capacity: 2

NSN: 2320-00-045-7132

LIN: X43845

SSN: D140040

TM: 9-2320-211-Series

CHARACTERISTICS

Engine: Mack, End T-673 Diesel

Horsepower: 205 bhp @ 2,100 rpm

Transmission: Manual; 5 Fwd, 1 Rev

Electrical System: 24 Volt

Tires: 11:00 x 20

Brakes: Air over hydraulic

Blackout Lights: Yes

PERFORMANCE DATA

Fording:

W/Kit: 78 in

WO/Kit: 30 in

Approach Angle: 37 Degrees

VEHICLE DATA

Type Classification & Date: Std B, 1969

Replaced By: M817

Life Expectancy: 20 Years

Payload: 10,000 lb

Towed Load Allowance: 15,000 lb

Air Transportability: Phase II

EQUIPMENT OPTIONS

Kits: Bow and Tarp, Personnel
Heater, Winterization, Fording,
Windshield Washer

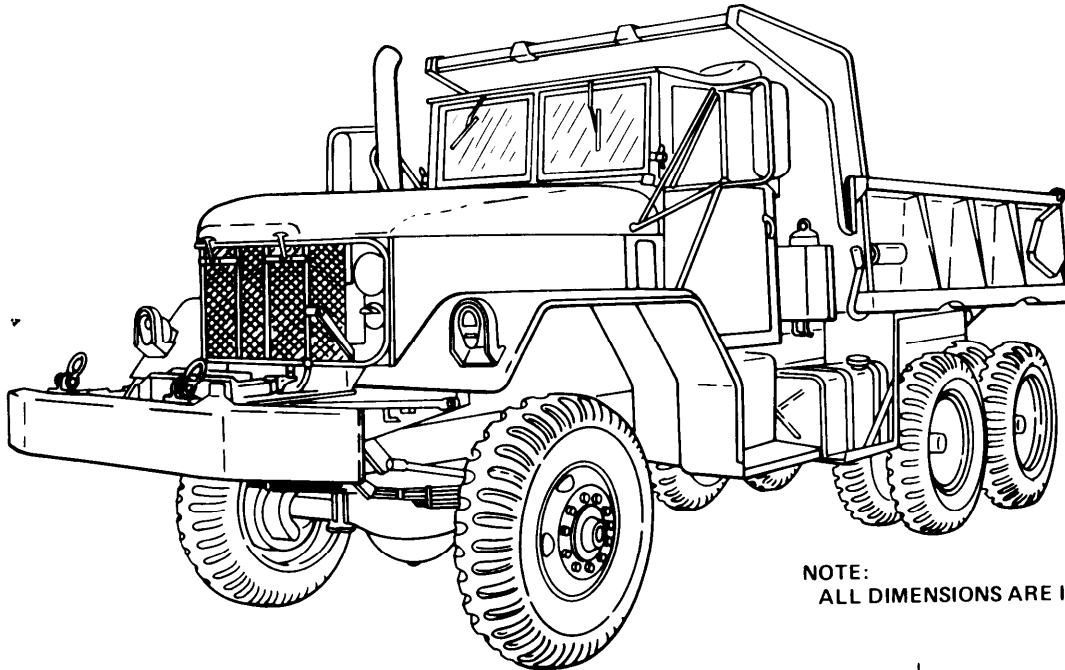
Winch: Yes

SHIPPING DATA

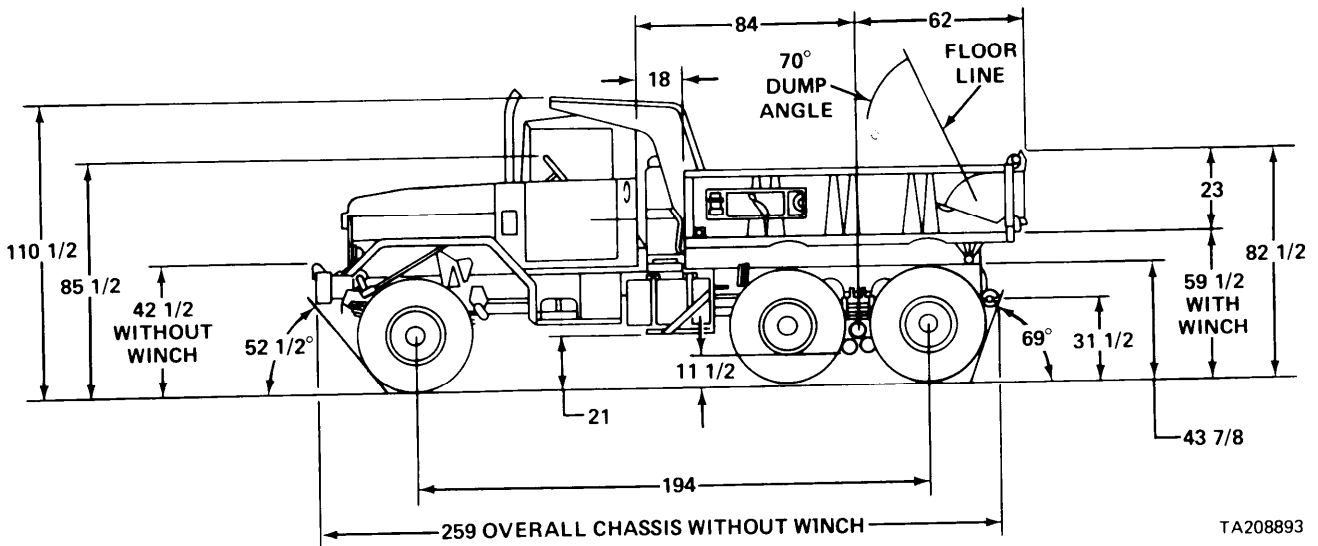
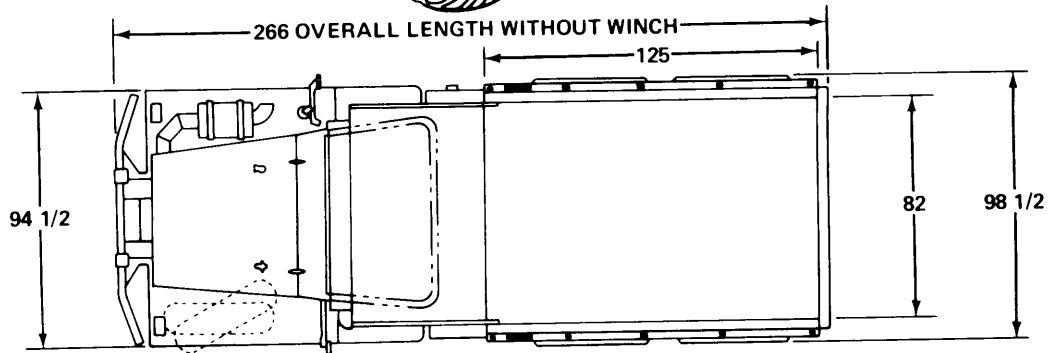
Weight: 22,700 lb

Cube: 1,360 cu ft

Ground Clearance: 11 1/2 in



NOTE:
ALL DIMENSIONS ARE IN INCHES.



TA208893

PURPOSE: To haul and transport and dump earth, sand, gravel, coal, etc. Can also be used for general cargo.

GENERAL INFORMATION

Nomenclature: TRUCK, DUMP: 5-Ton,
6x6, W/O Winch, W/E

Model Number: M51A1

Crew/Cab Capacity: 2

NSN: 2320-00-045-7131

LIN: X43708

SSN: D140040

TM: 9-2320-21 1-Series

VEHICLE DATA

Type Classification & Date: Std B, 1968

Replaced By: M817

Life Expectancy: 20 Years

Payload: 10,000 lb

Towed Load Allowance: 15,000 lb

Air Transportability: Phase II

CHARACTERISTICS

Engine: Mack, End T-673 Diesel

Horsepower: 205 bhp @ 2,100 rpm

Transmission: Manual; 5 Fwd, 1 Rev

Electrical System: 24 Volt

Tires: 11:00 x 20

Brakes: Air over hydraulic

Blackout Lights: Yes

EQUIPMENT OPTIONS

Kits: Bow and Tarp, Personnel
Heater, Winterization, Fording,
Windshield Washer

Winch: No

PERFORMANCE DATA

Fording:

W/Kit: 78 in

WO/Kit: 30 in

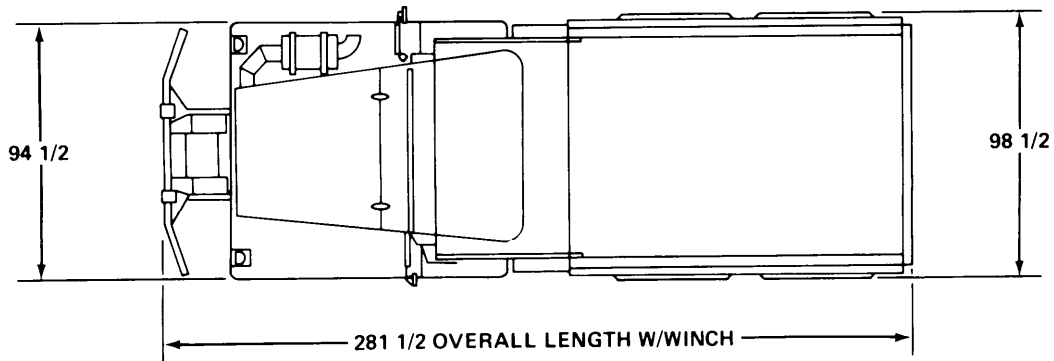
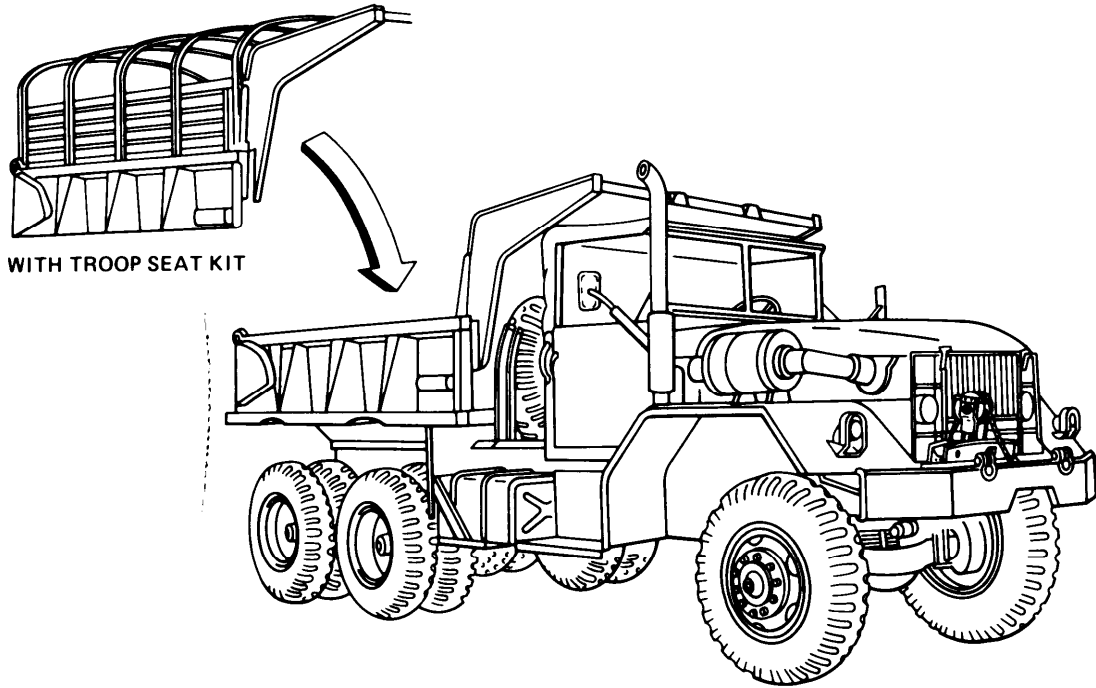
Approach Angle: 52 1/2 Degrees

SHIPPING DATA

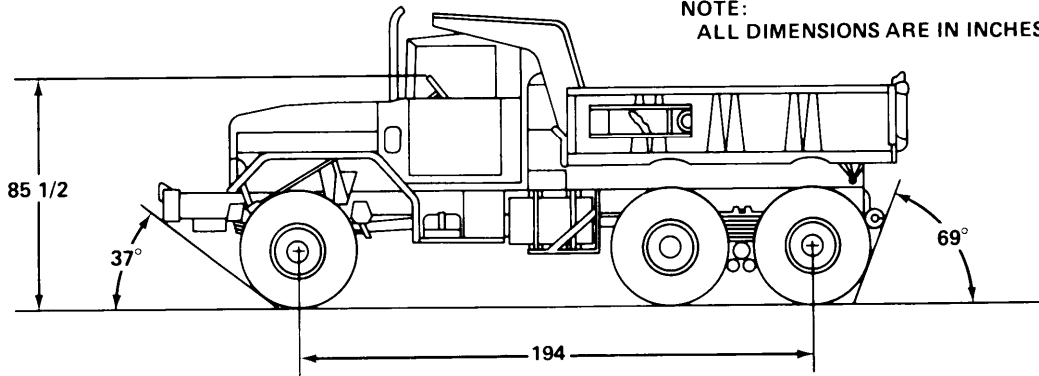
Weight: 21,986 lb

Cube: 1,285 cu ft

Ground Clearance: 11 1/2 in



NOTE:
ALL DIMENSIONS ARE IN INCHES.



TA208897

PURPOSE: Transport and dump earth, sand, gravel, coal, etc. Can also be used for general cargo.

GENERAL INFORMATION

Nomenclature: TRUCK, DUMP: 5-Ton,
6x6, W/Winch, W/E

Model Number: M51A2

Crew/Cab Capacity: 2

NSN: 2320-00-055-9263

LIN: X43845

SSN: D140040

TM: 9-2320-211-Series

CHARACTERISTICS

Horsepower: 198 bhp @ 2,800 rpm

Transmission: Synchromesh; 5 Fwd, 1 Rev

Electrical System: 24 Volt

Tires: 11:00 x 20, 12-ply

Brakes: Air over hydraulic

Blackout Lights: Yes

PERFORMANCE DATA

Fording:

W/Kit: 78 in

WO/Kit: 30 in

Approach Angle: 37 Degrees

Turning Radius: 39 ft 3 in

VEHICLE DATA

Type Classification & Date: Std b, 1971

Replaced By: M817

Life Expectancy: 20 Years

Payload: 10,000 lb

Towed Load Allowance: 15,000 lb

Air Transportability:

EQUIPMENT OPTIONS

Kits: Bow and Tarp, Hot Water Personnel Heater, Arctic Winterization, Deep Water Fording, Electric Brake, "A" Frame, Windshield Washer, Air Brake, Personnel Heater, Thermal Barrier, Hard Top, Troop Seat

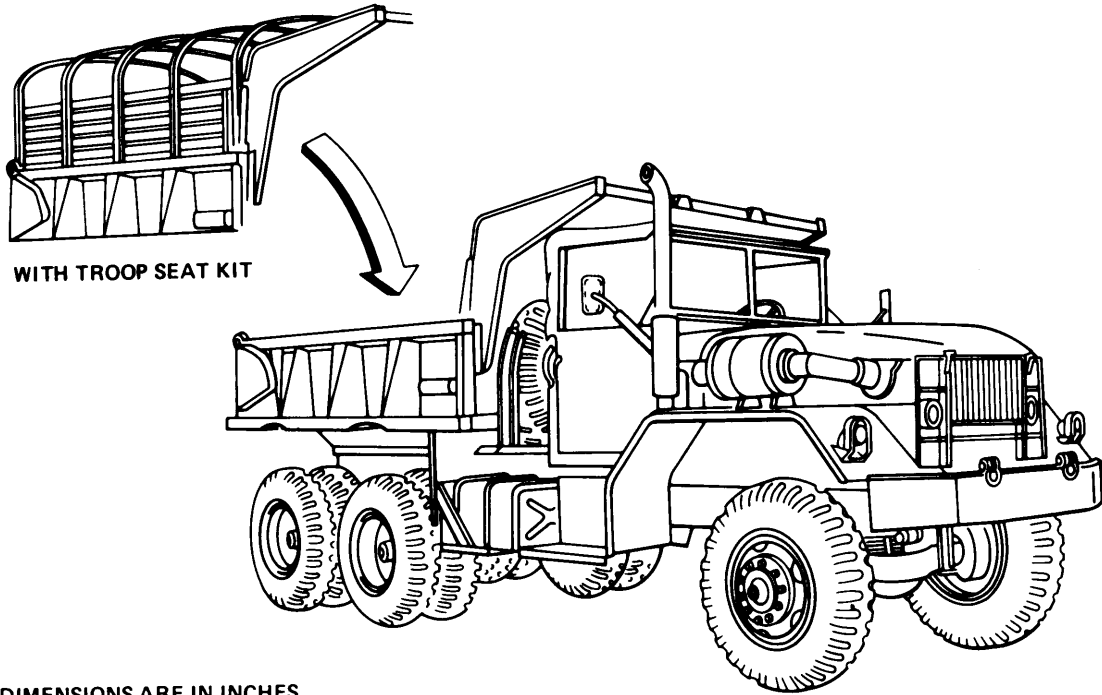
Winch: Yes

SHIPPING DATA

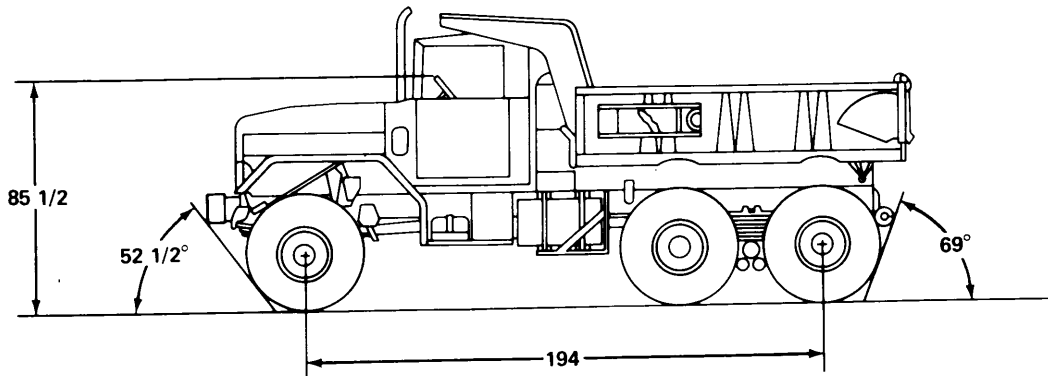
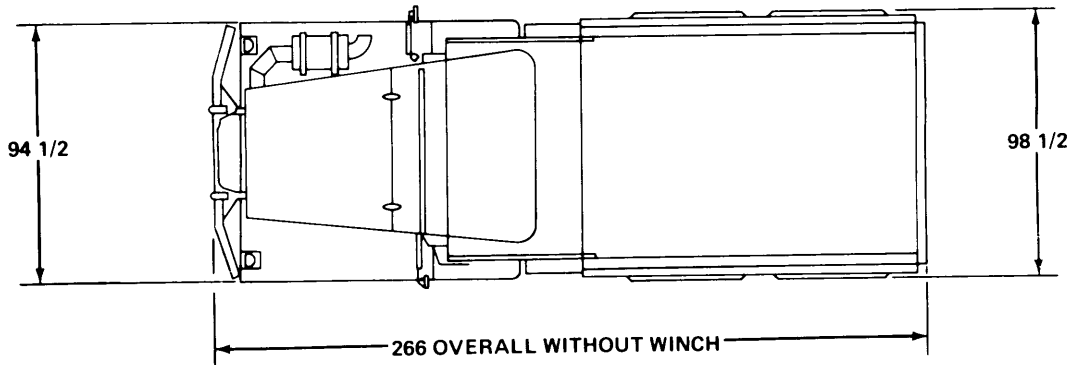
Weight: 22,700 lb

Cube: 1,360 cu ft

Ground Clearance: 10 3/4 in



NOTE:
ALL DIMENSIONS ARE IN INCHES.



TA208898

PURPOSE: To haul earth materials such as sand, gravel, and stone. May also be used for general cargo.

GENERAL INFORMATION

Nomenclature: TRUCK, DUMP: 5-Ton,
6x6, WO/Winch, W/E

Model Number: M51A2

Crew/Cab Capacity: 2

NSN: 2320-00-055-9262

LIN: X43708

SSN: D140040

TM: 9-2320-211-Series

CHARACTERISTICS

Horsepower: 198 bhp @ 2,800 rpm

Transmission: Synchromesh; 5 Fwd, 1 Rev

Electrical System: 24 Volt

Tires: 11:00 x 20, 12-ply

Brakes: Air over hydraulic

Blackout Lights: Yes

PERFORMANCE DATA

Fording:

W/Kit: 78 in

WO/Kit: 30 in

Approach Angle: 52 1/2 Degrees

Turning Radius: 38 ft 9 in

VEHICLE DATA

Type Classification & Date: Std B, 1971

Replaced By: M817

Life Expectancy: 20 Years

Payload: 10,000 lb

Towed Load Allowance: 15,000 lb

Air Transportability:

EQUIPMENT OPTIONS

Kits: Bow and Tarp, Hot Water Personnel Heater, Arctic Winterization, Deep Water Fording, Electric Brake, Windshield Washer, Air Brake, Hard Top, Troop Seat, Personnel Heater, Thermal Barrier

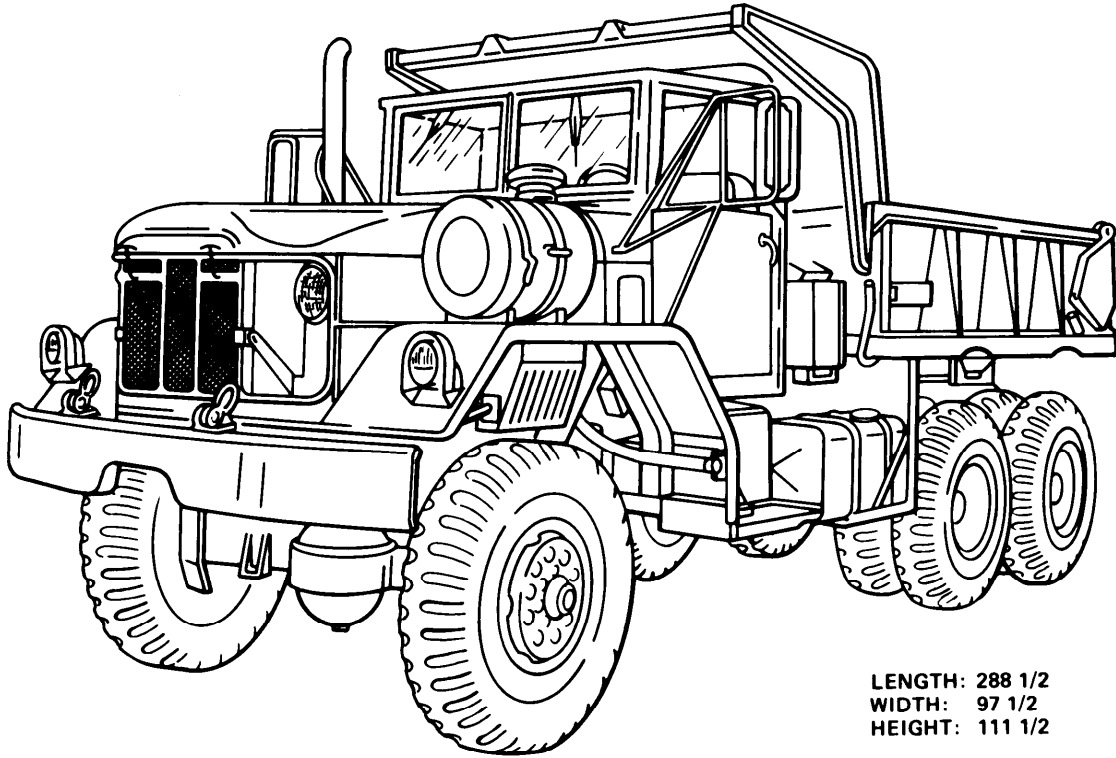
Winch: No

SHIPPING DATA

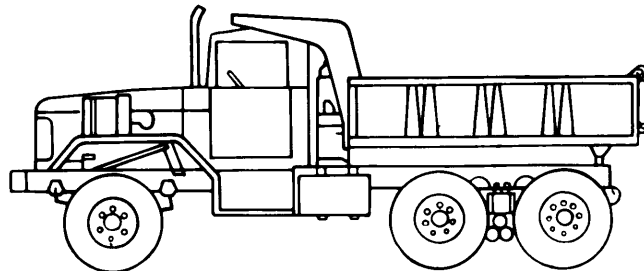
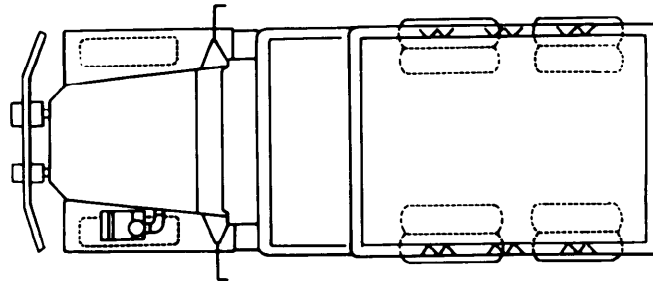
Weight: 21,920 lb

Cube: 1,285 cu ft

Ground Clearance: 10 3/4 in



LENGTH: 288 1/2
WIDTH: 97 1/2
HEIGHT: 111 1/2



NOTE:
ALL DIMENSIONS ARE IN INCHES.

TA208759

PURPOSE: To transport and dump earth, sand, gravel, coal, etc. Can also be used for general cargo.

GENERAL INFORMATION

Nomenclature: TRUCK, DUMP: 5-Ton,
6x6, W/Winch, W/E

Model Number: M817

Crew/Cab Capacity: 2

NSN: 2320-00-051-0589

LIN: X43845

SSN: D140040

TM: 9-2320-260-Series

CHARACTERISTICS

Horsepower: 225 bhp @ 2,100 rpm

Transmission: Manual; 5 Fwd, 1 Rev

Electrical System: 24 Volt

Tires: 11:00 x 20, 12-ply

Brakes: Air over hydraulic

Blackout Lights: Yes

PERFORMANCE DATA

Fording:

W/Kit: 78 in

WO/Kit: 30 in

Approach Angle: 34 Degrees

Maximum Speed: 52 mph

Cruising Range: 400 miles (With Towed Load)

VEHICLE DATA

Type Classification & Date: Std A, 1971

Replaces: M51 Series

Life Expectancy: 20 Years

Payload: 10,000 lb

Towed Load Allowance: 15,000 lb

Air Transportability: Phase II, unladen

EQUIPMENT OPTIONS

Kits: Fording, Personnel Heater, Electric or Air Brake, Hard Top, Thermal Barrier, Winterization, Troop Seats and Tarpaulin, Slave, Hot Water Personnel Heater, Alternator Conversion, Front Lifting, Air Drop, Windshield Washer, Fire Extinguisher, Tachograph, Seat Belt (Floating), Low Air Pressure Warning Light

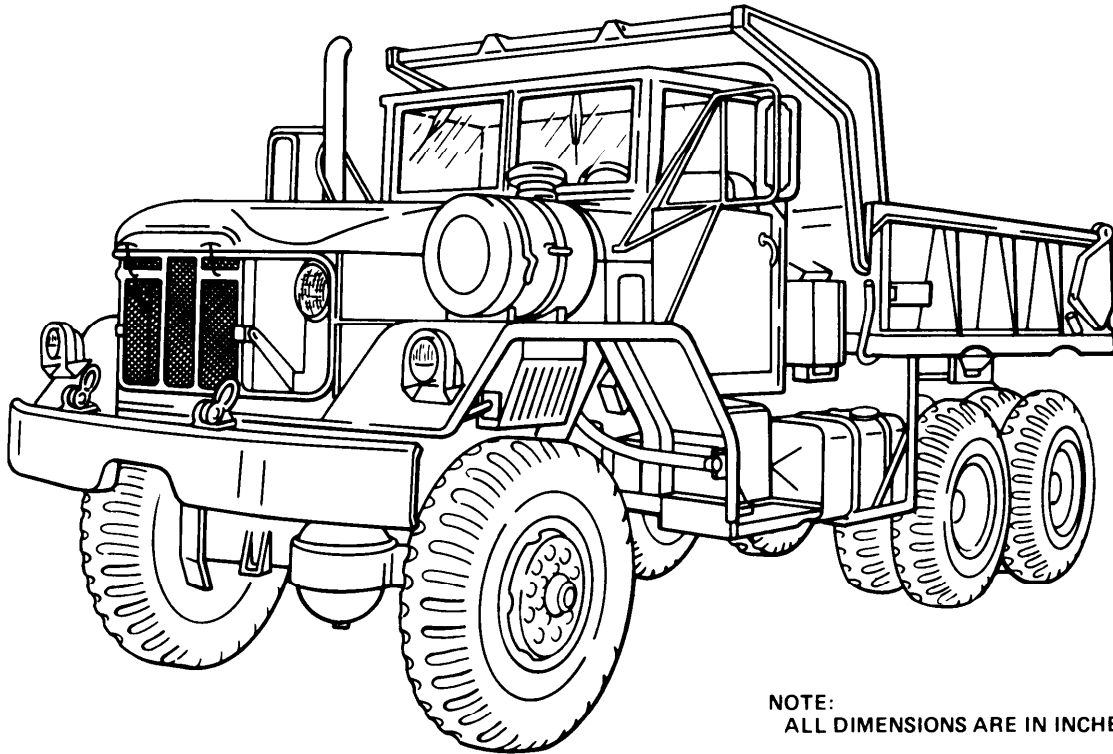
Winch: Yes

SHIPPING DATA

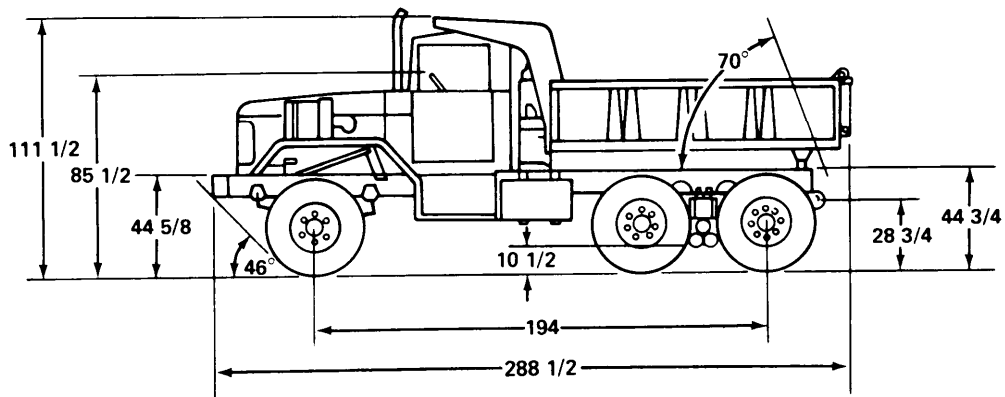
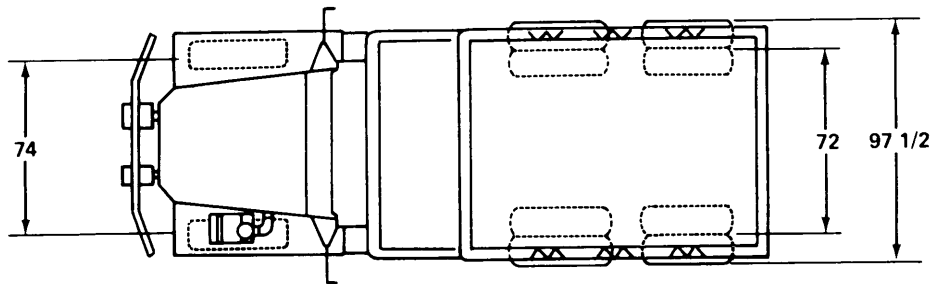
Weight: 24,426 lb

Cube: 1,395 cu ft

Ground Clearance: 10 1/2 in



NOTE:
ALL DIMENSIONS ARE IN INCHES.



TA208581

PURPOSE: To transport construction materials such as sand, gravel, coal, etc. Can also be used for general cargo.

GENERAL INFORMATION

Nomenclature: TRUCK, DUMP: 5-Ton,
6x6, WO/Winch, W/E

Model Number: M817

Crew/Cab Capacity: 2

NSN: 2320-00-050-8970

LIN: X43708

SSN: D140040

TM: 9-2320-260-Series

CHARACTERISTICS

Horsepower: 225 bhp @ 2,100 rpm

Transmission: Manual; 5 Fwd, 1 Rev

Electrical System: 24 Volt

Tires: 11:00 x 20, 12-ply

Brakes: Air over hydraulic

Blackout Lights: Yes

PERFORMANCE DATA

Fording:

W/Kit: 78 in

WO/Kit: 30 in

Approach Angle: 46 Degrees

Maximum Speed: 52 mph

Cruising Range: 400 miles (Loaded)

VEHICLE DATA

Type Classification & Date: Std A, 1971

Replaces: M151 Series

Life Expectancy: 20 Years

Payload: 10,000 lb

Towed Load Allowance: 15,000 lb

Air Transportability: Phase II, unladen

EQUIPMENT OPTIONS

Kits: Fording, Personnel Heater, Electric or Air Brake, Hard Top, Thermal Barrier, Winterization, Troop Seat and Tarpaulin, Slave, Hot Water Personnel Heater, Alternator Conversion, Front Lifting, Air Drop, Windshield Washer, Fire Extinguisher, Tachograph, Seat Belt (Floating), Low Air Pressure Warning Light

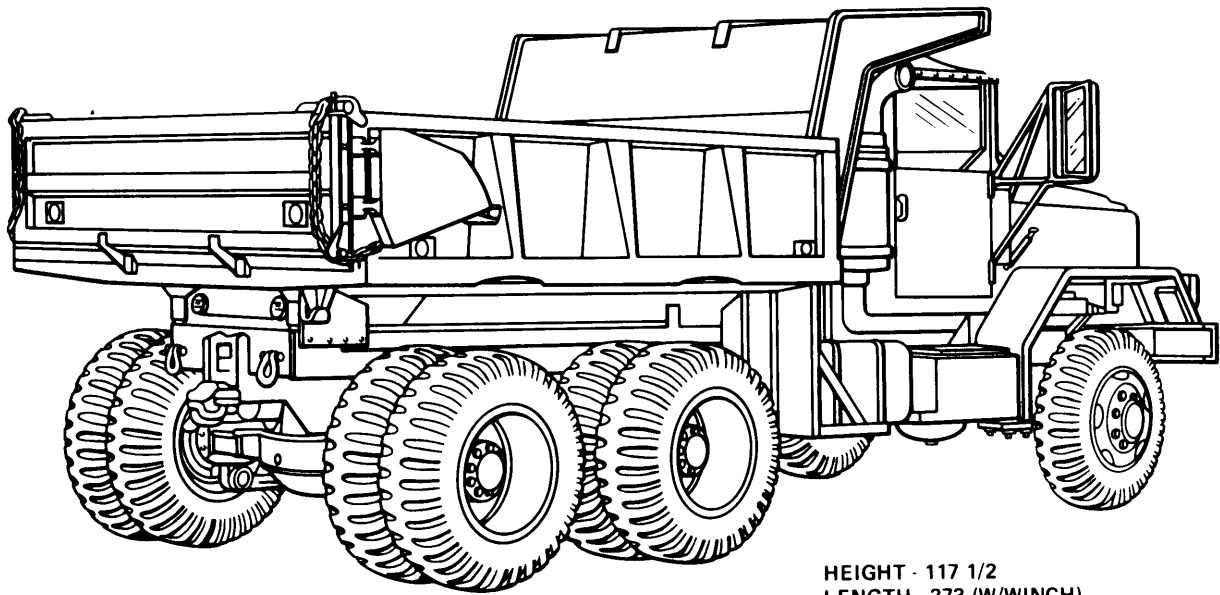
Winch: No

SHIPPING DATA

Weight: 23,761 lb

Cube: 1,320 cu ft

Ground Clearance: 10 1/2 in



HEIGHT - 117 1/2
LENGTH - 273 (W/WINCH)
WIDTH - 98

NOTE:
ALL DIMENSIONS ARE IN INCHES.

TA208721

PURPOSE: Haul earth materials such as sand, gravel, and stone. May also haul scrap, rubble or other waste materials. Troop seats may be positioned for troop transport operations.

GENERAL INFORMATION

Nomenclature: TRUCK, DUMP: 5-Ton,
6x6, WO/Winch, W/E

Model Number: M929

Crew/Cab Capacity: 3

NSN: 2320-01-047-8756

LIN: X43708

SSN: D140040

TM: 9-2320-272-Series

CHARACTERISTICS

Engine: Diesel, 6 cyl.

Horsepower: 240 bhp @ 2,100 rpm

Transmission: Automatic; 5 Fwd, 1 Rev

Electrical System: 24 Volt

Tires: 11:00 x 20, 12-ply

Brakes: Air

Blackout Lights: Yes

PERFORMANCE DATA

Fording:

W/Kit: 78 in

WO/Kit: 30 in

Approach Angle: 46 Degrees

Maximum Speed: 54 mph

Range: 400 miles

VEHICLE DATA

Type Classification & Date: Std A, 1979

Replaces: M817

Life Expectancy: 20 Years

Payload: 10,000 lb

Towed Load Allowance: 15,000 lb

Air Transportability: Phase II

EQUIPMENT OPTIONS

Kits: 100 Amp Alternator, Radiator and Hood Cover, Engine Coolant Heater, Fuel Burning Heater, Chemical Alarm, Deep Water Fording, Gun Ring Mounting, Machine Gun Adapter, M13 Decontamination, Troop Seat, Bow and Tarp, Swingfire Heater

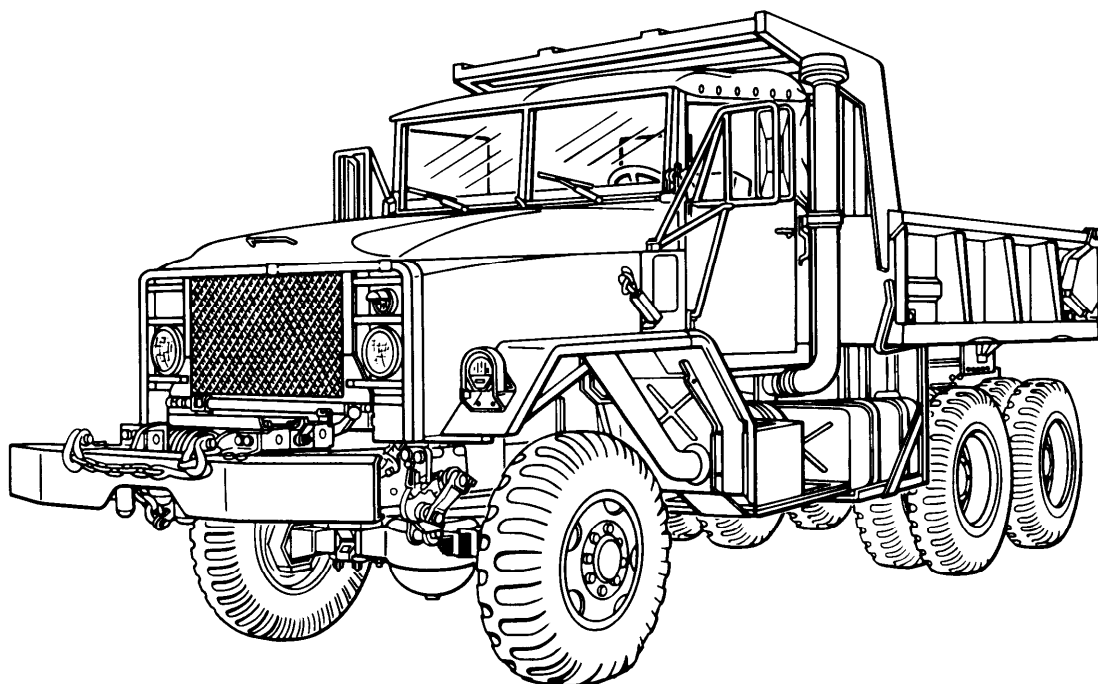
Winch: No

SHIPPING DATA

Weight: 23,828 lb

Cube: 1,406 cu ft

Ground Clearance: 10 1/2 in



HEIGHT - 117 1/2
LENGTH - 294 1/2 (W/WINCH)
WIDTH - 98

NOTE:
ALL DIMENSIONS ARE IN INCHES.

TA208722

PURPOSE: Haul earth materials such as sand, gravel, and stone. May also haul scrap, rubble or other waste materials. Troop seats may be positioned for troop transport operations.

GENERAL INFORMATION

Nomenclature: TRUCK, DUMP: 5 Ton,
6x6, W/Winch, W/E

Model Number: M930

Crew/Cab Capacity: 3

NSN: 2320-01-047-8755

LIN: X43845

SSN: D140090

TM: 9-2320-272-Series

CHARACTERISTICS

Horsepower: 240 bhp @ 2,100 rpm

Transmission: Automatic; 5 Fwd, 1 Rev

Electrical System: 24 Volt

Tires: 11:00 x 20, 12-ply

Brakes: Air

Blackout Lights: Yes

PERFORMANCE DATA

Fording:

W/Kit: 78 in

WO/Kit: 30 in

Approach Angle: 31 Degrees

Maximum: 54 mph

Range: 400 miles

VEHICLE DATA

Type Classification & Date: Std A, 1979

Replaces: M817

Life Expectancy: 20 Years

Payload: 10,000 lb

Towed Load Allowance: 15,000 lb

Air Transportability: Phase II

EQUIPMENT OPTIONS

Kits: 100 Amp Alternator, Radiator and Hood Cover, Engine Coolant Cover, Fuel Burning Heater, Chemical Alarm, Deep Water Fording, Gun Ring Mounting, Machine Gun Adapter, "A" Frame, M13 Decontamination, Troop Seat, Bow and Tarp, Swingfire Heater

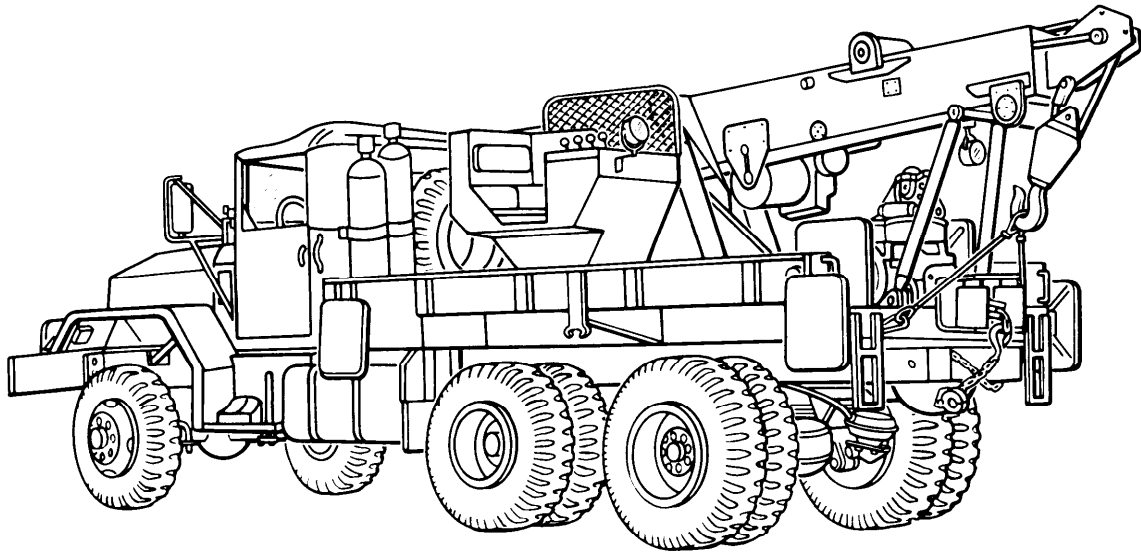
Winch: Yes

SHIPPING DATA

Weight: 24,440 lb

Cube: 1,517 cu ft

Ground Clearance: 10 1/2 in



HEIGHT - 111 7/8
LENGTH - 362 1/4
WIDTH - 97 1/2

NOTE:
ALL DIMENSIONS ARE IN INCHES.

TA208727

PURPOSE: To recover disabled vehicles; remove/replace engines, power packs and gun tubes; load/unload munitions. Also used to free mired vehicles.

GENERAL INFORMATION

Nomenclature: TRUCK, MEDIUM
WRECKER: 5-Ton, 6x6, W/Winch

Model Number: M936

Crew/Cab Capacity: 3

NSN: 2320-01-047-8754

LIN: X63299

SSN: D140090

TM: 9-2320-272-Series

CHARACTERISTICS

Engine: Diesel, 6 cyl.

Horsepower: 240 bhp @ 2,100 rpm

Transmission: Automatic; 5 Fwd, 1 Rev

Electrical System: 24 Volt

Tires: 11:00 x 20, 12-ply

Brakes: Air

Blackout Lights: Yes

PERFORMANCE DATA

Fording:

W/Kit: 78 in

WO/Kit: 30 in

Approach Angle: 31 Degrees

Maximum Speed: 54 mph

Range: 400 miles

VEHICLE DATA

Type Classification & Date: Std A, 1979

Replaces: M543, M816

Life Expectancy: 20 Years

Payload: 7,000 lb

Towed Load Allowance: 20,000 lb

Air Transportability: Phase III

EQUIPMENT OPTIONS

Kits: 100 Amp Alternator, Radiator and Hood Cover, Engine Coolant Heater, Chemical Alarm, Deep Water Fording, Gun Ring Mounting, Machine Gun Adapter, "A" Frame, M13 Decontamination, Swingfire Heater

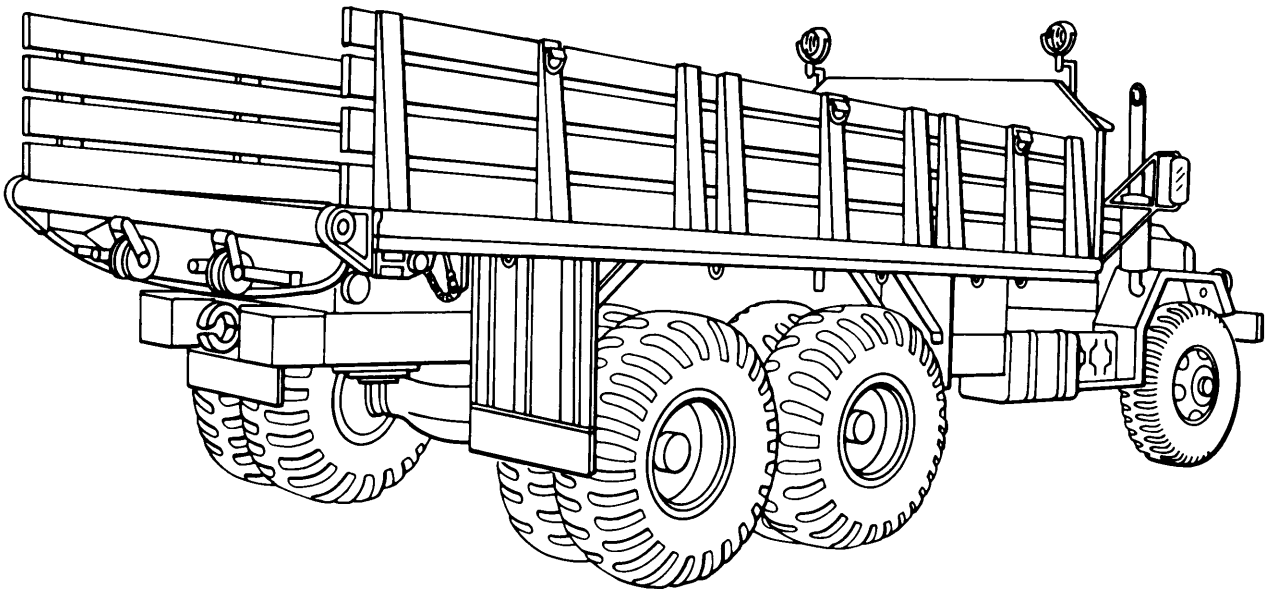
Winch: Yes

SHIPPING DATA

Weight: 36,129 lb

Cube: 2,166.60 cu ft

Ground Clearance: 10 1/2 in



PURPOSE: Designed specifically for transporting bridge building equipment.

GENERAL INFORMATION

Nomenclature: TRUCK, STAKE: Bridge
Transporter, 5-Ton, 6x6, W/Winch, W/E

Model Number: M328A1

Crew/Cab Capacity: 2

NSN: 2320-00-880-4652

LIN: X56586

SSN: D140050

TM: 9-2320-211-Series

CHARACTERISTICS

Horsepower: 205 bhp @ 2,100 rpm

Transmission: Manual; 5 Fwd, 1 Rev

Electrical System: 24 Volt

Tires: 14:00 x 20, 12-ply

Brakes: Air over hydraulic

Blackout Lights: Yes

PERFORMANCE DATA

Fording:

W/Kit: 78 in

WO/Kit: 30 in

Approach Angle: 37 Degrees

VEHICLE DATA

Type Classification & Date: Std B, 1969

Replaced By: M821

Life Expectancy: 20 Years

Payload: 10,000 lb

Towed Load Allowance: 15,000 lb

Air Transportability: Phase II

EQUIPMENT OPTIONS

Kits: Fording

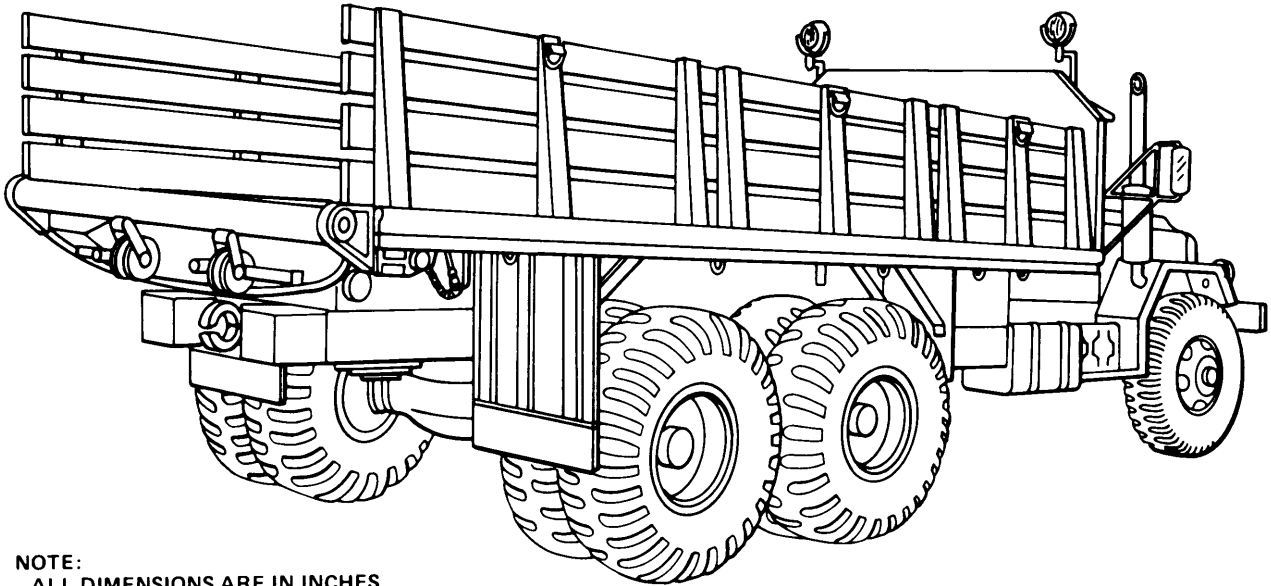
Winch: Yes

SHIPPING DATA

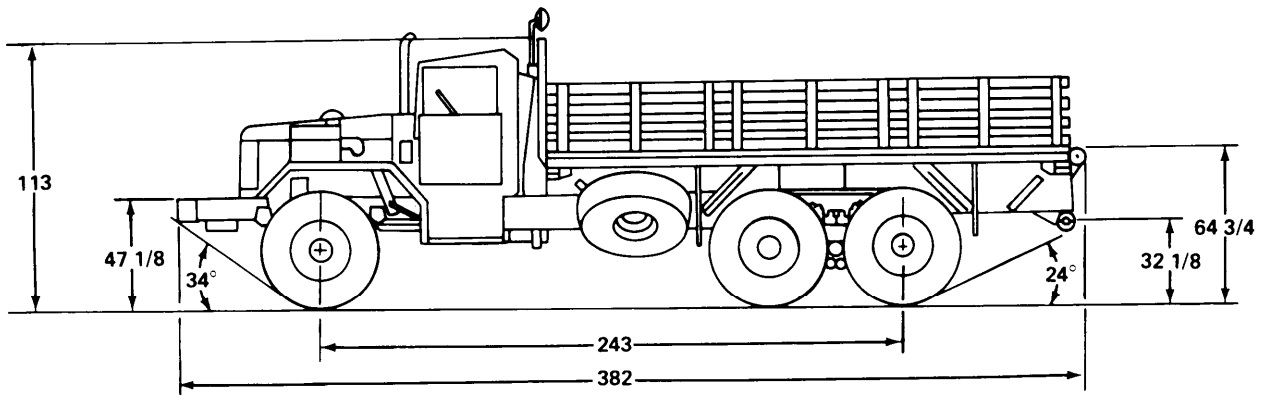
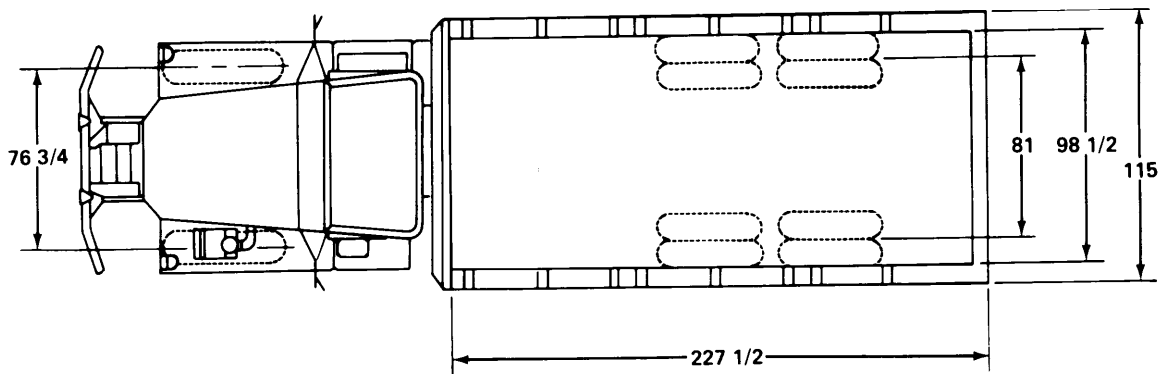
Weight: 26,550 lb

Cube: 2,209 cu ft

Ground Clearance: 13 in



NOTE:
ALL DIMENSIONS ARE IN INCHES.



TA208580

PURPOSE: To transport bridging materials and supplies.

GENERAL INFORMATION

Nomenclature: TRUCK, STAKE: Bridge
Transporter, 5-Ton, 6x6, W/Winch, W/E

Model Number: M821

Crew/Cab Capacity: 2

NSN: 2320-00-050-90t5

LIN: X56586

SSN: D140050

TM: 9-2320-260-Series

CHARACTERISTICS

Horsepower: 225 bhp @ 2,100 rpm

Transmission: Manual; 5 Fwd, 1 Rev

Electrical System: 24 Volt

Tires: 14:00 x 20, 12-ply

Brakes: Air over hydraulic

Blackout Lights: Yes

PERFORMANCE DATA

Fording:

W/Kit: 78 in

WO/Kit: 30 in

Approach Angle: 34 Degrees

VEHICLE DATA

Type Classification & Date: Std A, 1971

Replaces: M328A1

Life Expectancy: 20 Years

Payload: 10,000 lb

Towed Load Allowance: 15,000 lb

Air Transportability: Phase II, unladen

EQUIPMENT OPTIONS

Kits: Fording, Personnel Heater, Electric or
Air Brake, Hard Top, Thermal Barrier,
Winterization, Slave, Alternator Conversion,
Hot Water Personnel Heater, Front Lifting,
Windshield Washer, Fire Extinguisher,
Tachograph, Seat Belt (Floating), Low Air
Pressure Warning Light

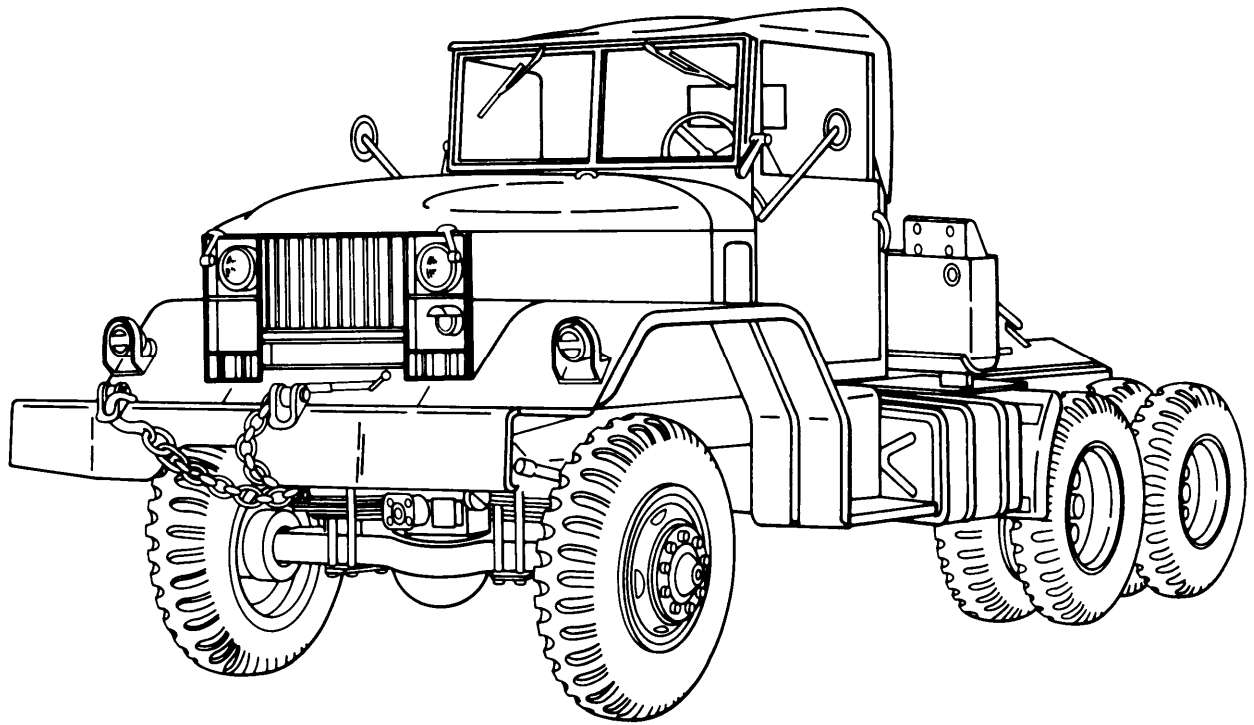
Winch: Yes

SHIPPING DATA

Weight: 28,880 lb

Cube: 2,929 cu ft

Ground Clearance: 12 1/2 in



SHIPPING DIMENSIONS

LENGTH W/WINCH -273
LENGTH W/O WINCH -257 1/2
WIDTH -97
HEIGHT -103 1/8

NOTE:
ALL DIMENSIONS ARE IN INCHES.

TA208913

PURPOSE: Used to tow semitrailers, designed to operate under unusual conditions. Each tractor truck is equipped with 6-wheel drive.

GENERAL INFORMATION

Nomenclature: TRUCK, TRACTOR: 5-Ton,
6x6, W/Winch, W/E

Model Number: M52

Crew/Cab Capacity: 2

NSN: 2320-00-835-8329

LIN: X59463

SSN: D140060

TM: 9-2320-211-Series

CHARACTERISTICS

Horsepower: 196 bhp @ 2,800 rpm

Transmission: Manual; 5 Fwd, 1 Rev

Electrical System: 24 Volt

Tires: 11:00 x 20, 12-ply

Brakes: Air over hydraulic

Blackout Lights: Yes

PERFORMANCE DATA

Fording:

W/Kit: 78 in

WO/Kit: 30 in

Approach Angle: 37 Degrees

VEHICLE DATA

Type Classification & Date: Std B, 1980

Replaced By: M818

Life Expectancy: 20 Years

Payload: 15,000 lb

Towed Load Allowance: 30,000 lb

Air Transportability: Phase II

EQUIPMENT OPTIONS

Kits: Fording, Winterization,
Windshield Washer

Winch: Yes

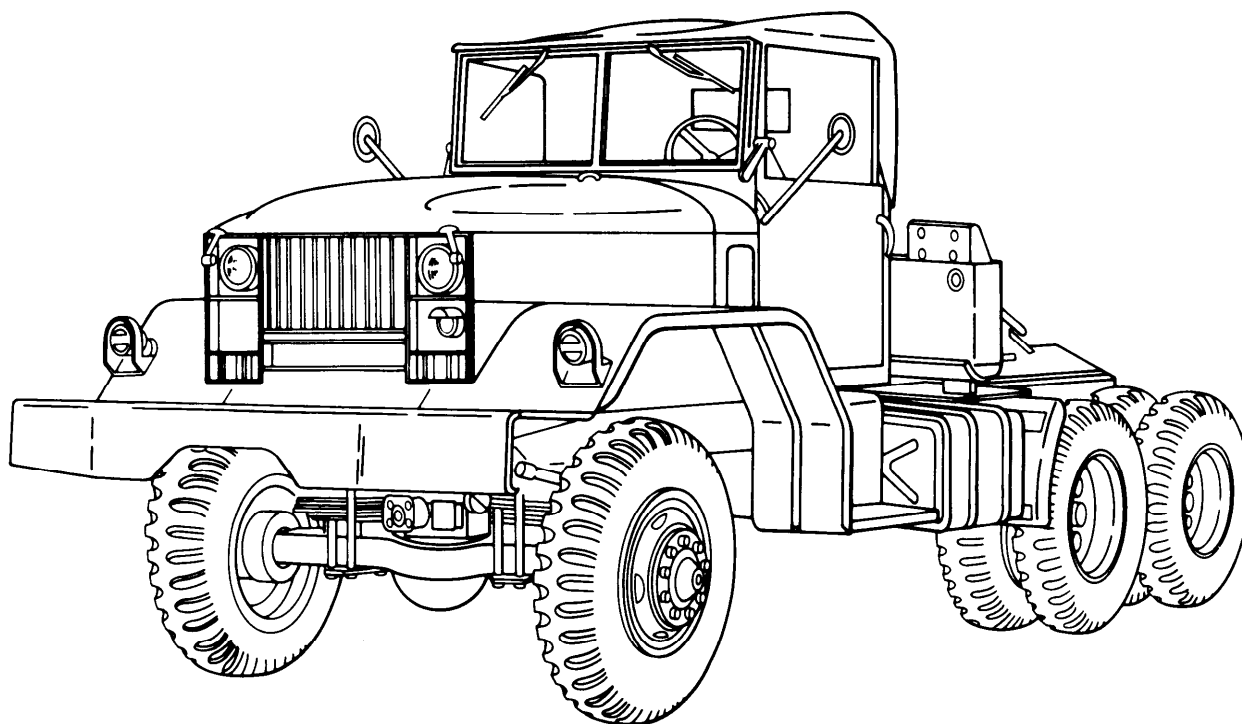
SHIPPING DATA

Weight: 19,456 lb

Cube: 1,581 cu ft

Ground Clearance: 10 1/2 in

Fifth Wheel Height: 35 1/2 in



SHIPPING DIMENSIONS

LENGTH W/WINCH -273
LENGTH WO/WINCH -257 1/2
WIDTH -97
HEIGHT -103 1/8

NOTE:
ALL DIMENSIONS ARE IN INCHES.

TA209203

PURPOSE: Used to tow semitrailers, designed to operate under unusual conditions. Each tractor truck is equipped with 6-wheel drive.

GENERAL INFORMATION

Nomenclature: TRUCK, TRACTOR: 5-Ton,
6x6, WO/Winch, W/E

Model Number: M52

Crew/Cab Capacity: 2

NSN: 2320-00-835-8326

LIN: X59326

SSN: D140060

TM: 9-2320-211-Series

CHARACTERISTICS

Horsepower: 196 bhp @ 2,800 rpm

Transmission: Manual; 5 Fwd, 1 Rev

Electrical System: 24 Volt

Tires: 11:00 x 20, 12-ply

Brakes: Air over hydraulic

Blackout Lights: Yes

PERFORMANCE DATA

Fording:

W/Kit: 78 in

WO/Kit: 30 in

Approach Angle:

VEHICLE DATA

Type Classification & Date: Std B, 1980

Replaced By: M818

Life Expectancy: 20 Years

Payload: 15,000 lb

Towed Load Allowance: 30,000 lb

Air Transportability: Phase II

EQUIPMENT OPTIONS

Kits: Fording, Winterization,
Windshield Washer

Winch: No

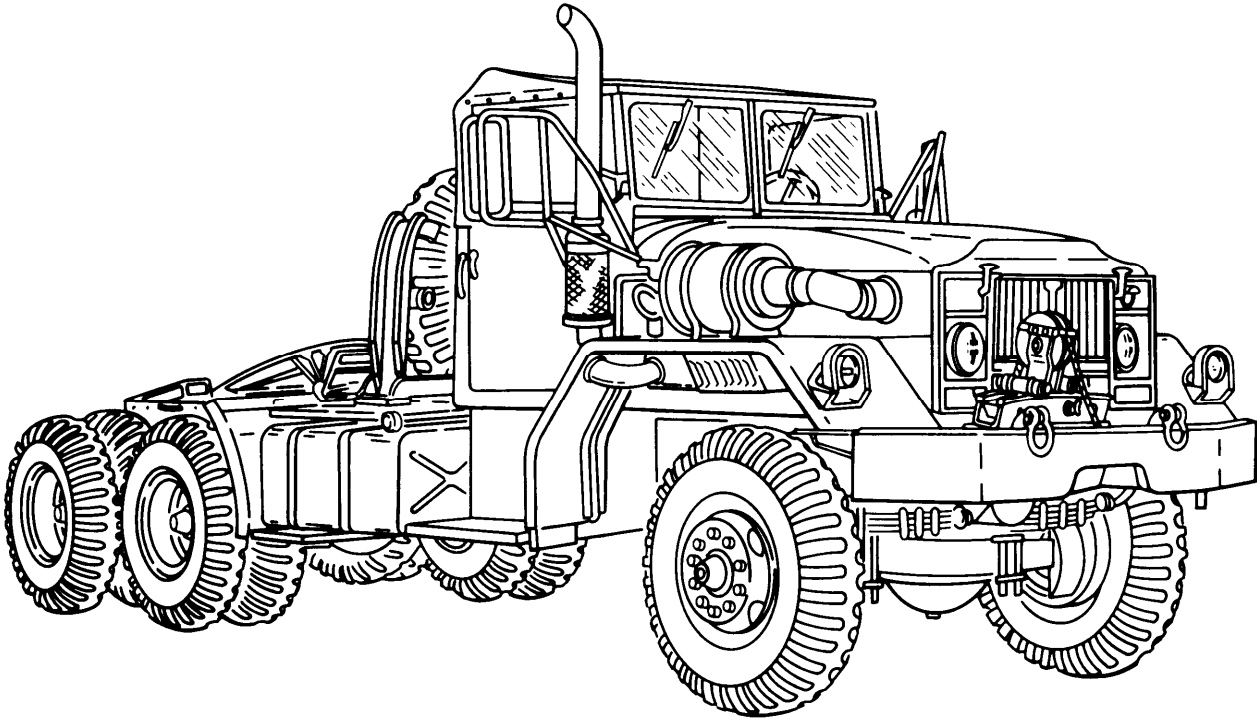
SHIPPING DATA

Weight: 19,063 lb

Cube: 1,491 cu ft

Ground Clearance: 10 1/2 in

Fifth Wheel Height: 35 1/2 in



SHIPPING DIMENSIONS

LENGTH W/WINCH -273
LENGTH WO/WINCH -257 1/2
WIDTH -97
HEIGHT -103 1/8

NOTE:
ALL DIMENSIONS ARE IN INCHES.

TA208912

PURPOSE: Used to tow semitrailers, designed to operate under unusual conditions. Each tractor truck is equipped with 6-wheel drive.

GENERAL INFORMATION

Nomenclature: TRUCK, TRACTOR: 5-Ton,
6x6, W/Winch, W/E

Model Number: M52A1

Crew/Cab Capacity: 2

NSN: 2320-00-086-7480

LIN: X59463

SSN: D140060

TM: 9-2320-211-Series

CHARACTERISTICS

Horsepower: 205 bhp @ 2,100 rpm

Transmission: Manual; 5 Fwd, 1 Rev

Electrical System: 24 Volt

Tires: 11:00 x 20, 12-ply

Brakes: Air over hydraulic

Blackout Lights: Yes

PERFORMANCE DATA

Fording:

W/Kit: 78 in

WO/Kit: 30 in

Approach Angle:

Turning Radius: 39 ft 3 in

VEHICLE DATA

Type Classification & Date: Std B, 1961

Replaced By: M818

Life Expectancy: 20 Years

Payload: 15,000 lb

Towed Load Allowance: 30,000 lb

Air Transportability: Phase II

EQUIPMENT OPTIONS

Kits: Fording, Winterization,
Windshield Washer

Winch: Yes

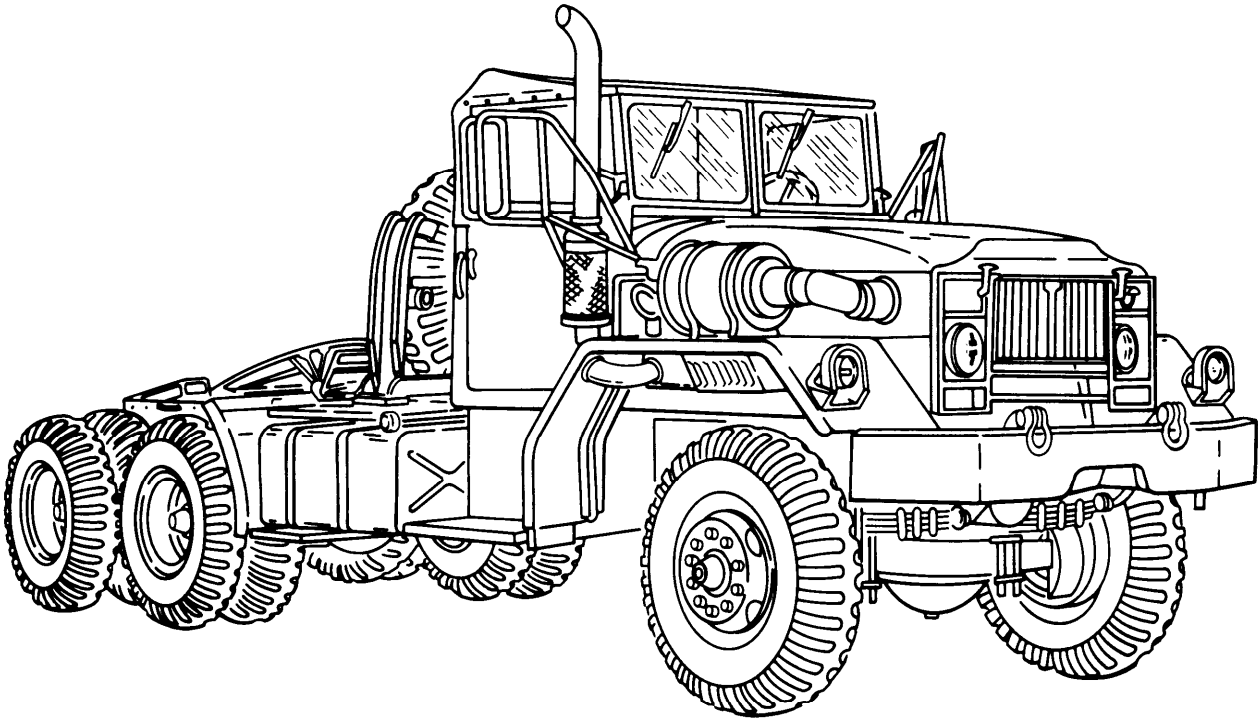
SHIPPING DATA

Weight: 19,458 lb

Cube: 1,581 cu ft

Ground Clearance: 10 1/2 in

Fifth Wheel Height: 35 1/2 in



SHIPPING DIMENSIONS

LENGTH W/WINCH .273
LENGTH WO/WINCH -257 1/2
WIDTH -97
HEIGHT -103 1/8

NOTE:
ALL DIMENSIONS ARE IN INCHES.

TA209204

PURPOSE: Used to tow semitrailers, designed to operate under unusual conditions. Each tractor truck is equipped with 6-wheel drive.

GENERAL INFORMATION

Nomenclature: TRUCK, TRACTOR: 5-Ton,
6x6, WO/Winch, W/E

Model Number: M52A1

Crew/Cab Capacity: 2

NSN: 2320-00-086-7479

LIN: X59326

SSN: D140060

TM: 9-2320-211-Series

CHARACTERISTICS

Horsepower: 205 bhp @ 2,100 rpm

Transmission: Manual; 5 Fwd, 1 Rev

Electrical System: 24 Volt

Tires: 11:00 x 20, 12-ply

Brakes: Air over hydraulic

Blackout Lights: Yes

PERFORMANCE DATA

Fording:

W/Kit: 78 in

WO/Kit: 30 in

Approach Angle:

VEHICLE DATA

Type Classification & Date: Std B, 1961

Replaced By: M818

Life Expectancy: 20 Years

Payload: 15,000 lb

Towed Load Allowance: 30,000 lb

Air Transportability: Phase II

EQUIPMENT OPTIONS

Kits: Fording, Winterization,
Windshield Washer

Winch: No

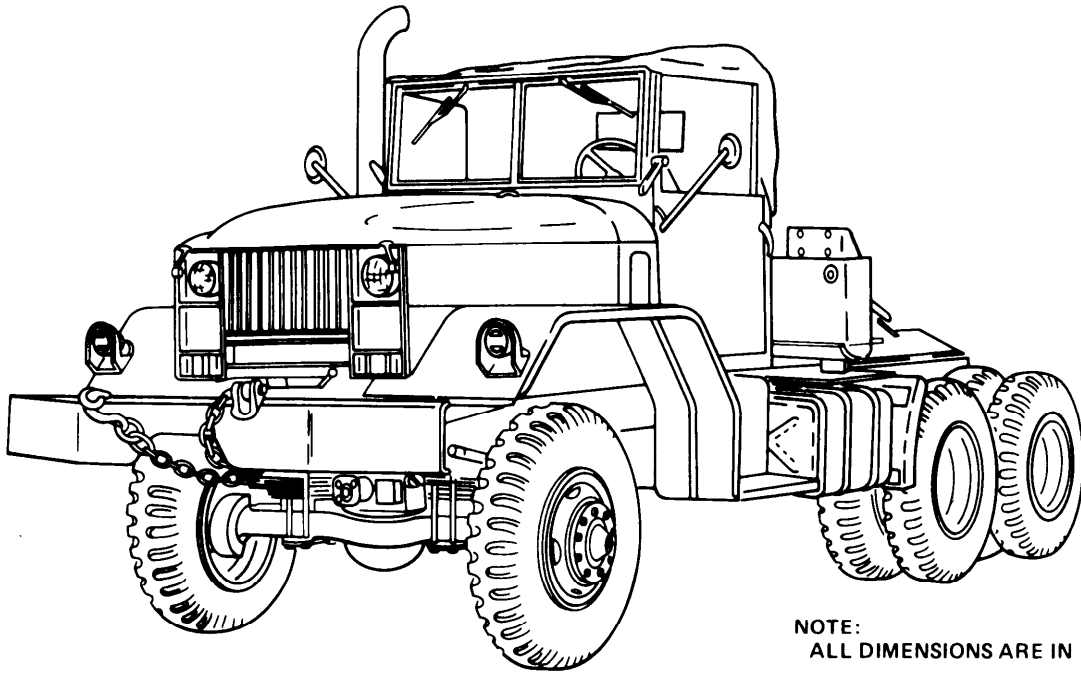
SHIPPING DATA

Weight: 19,063 lb

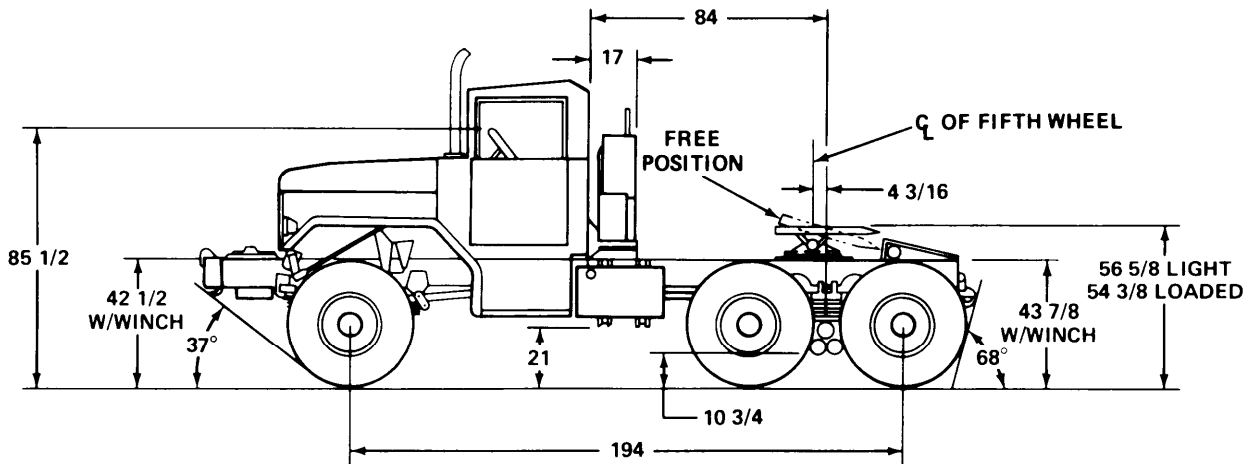
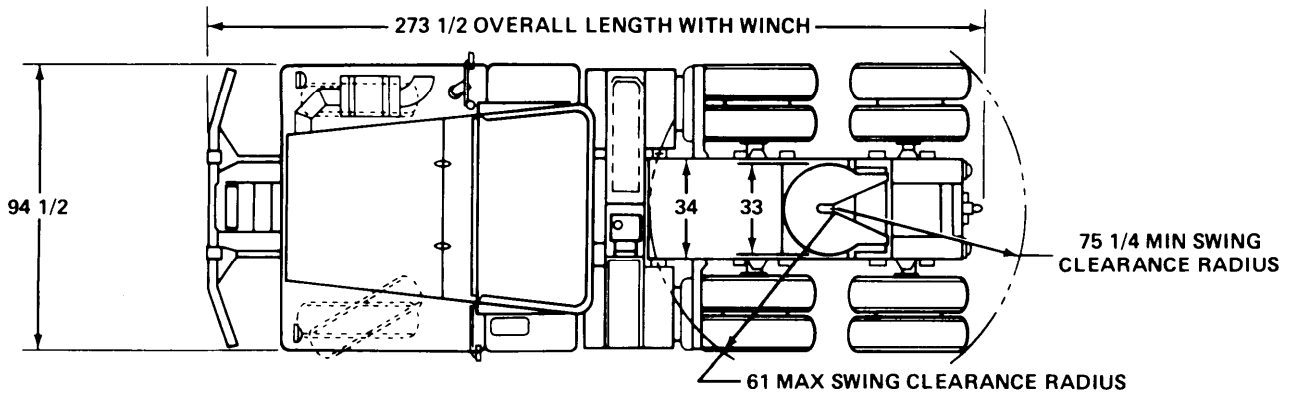
Cube: 1,491 cu ft

Ground Clearance: 10 1/2 in

Fifth Wheel Height: 35 1/2 in



NOTE:
ALL DIMENSIONS ARE IN INCHES.



TA208899

PURPOSE: Used to tow semitrailers, designed to operate under unusual conditions.

GENERAL INFORMATION

Nomenclature: TRUCK, TRACTOR: 5-Ton,
6x6, W/Winch, W/E

Model Number: M52A2

Crew/Cab Capacity: 2

NSN: 2320-00-055-9261

LIN: X59463

SSN: D140060

TM: 9-2320-21 I-Series

CHARACTERISTICS

Horsepower: 198 bhp @ 2,800 rpm

Transmission: Synchronesh; 5 Fwd, 1 Rev

Electrical System: 24 Volt

Tires: 11:00 x 20, 12-ply

Brakes: Air over hydraulic

Blackout Lights: Yes

PERFORMANCE DATA

Fording:

W/Kit: 78 in

WO/Kit: 30 in

Approach Angle: 37°

VEHICLE DATA

Type Classification & Date: Std B, 1971

Replaced By: M818

Life Expectancy: 20 Years

Payload: 15,000 lb

Towed Load Allowance: 37,000 lb

Air Transportability:

EQUIPMENT OPTIONS

Kits: Hot Water Personnel Heater, Arctic Winterization, Deep Water Fording, Personnel Heater, Thermal Barrier, Hard Top, "A" Frame, Air or Electric Brake

Winch: Yes

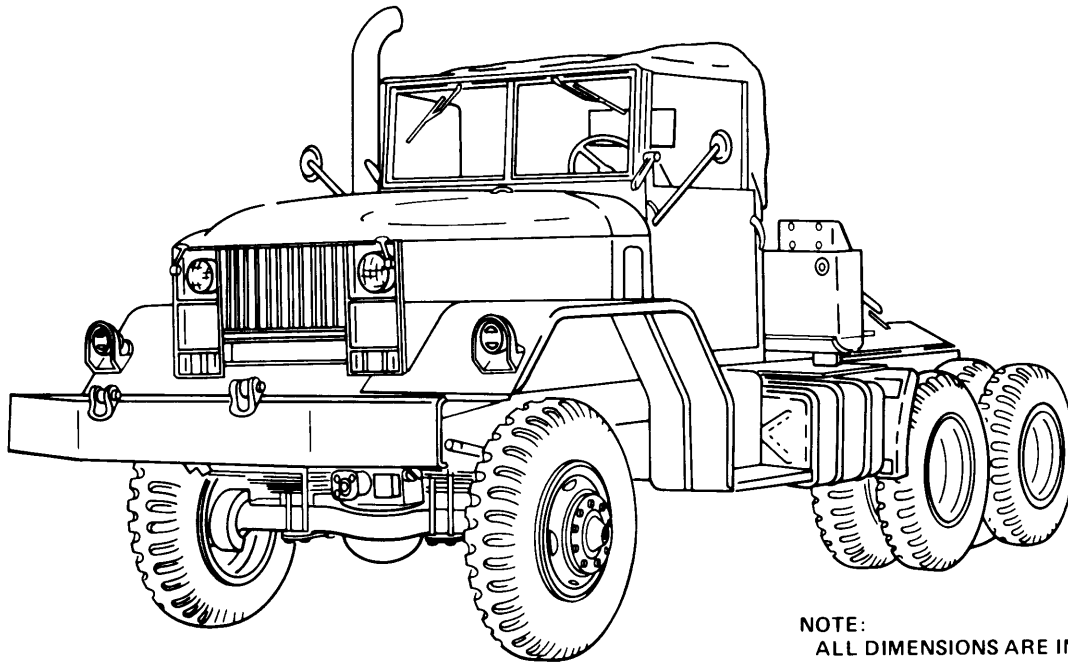
SHIPPING DATA

Weight: 18,700 lb

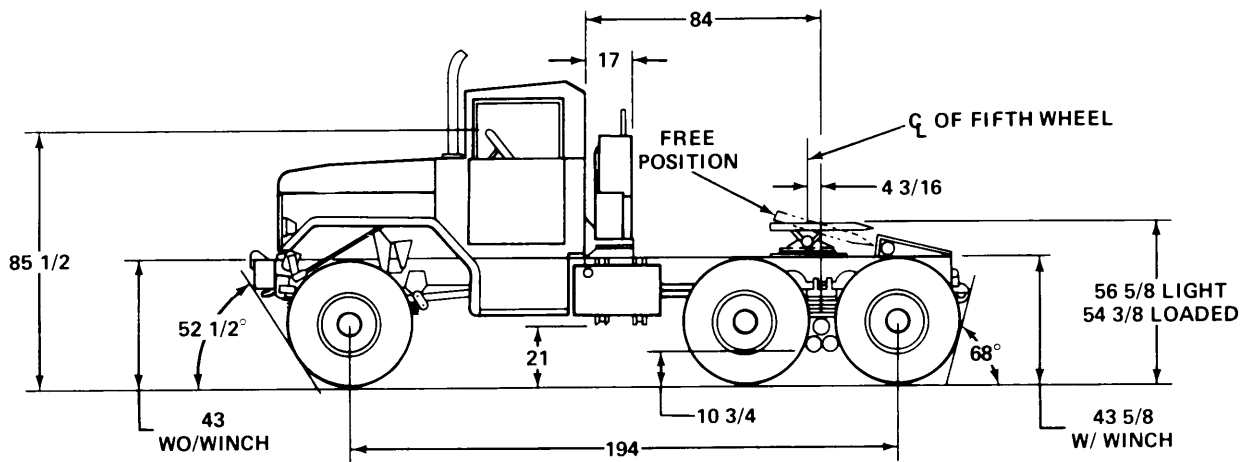
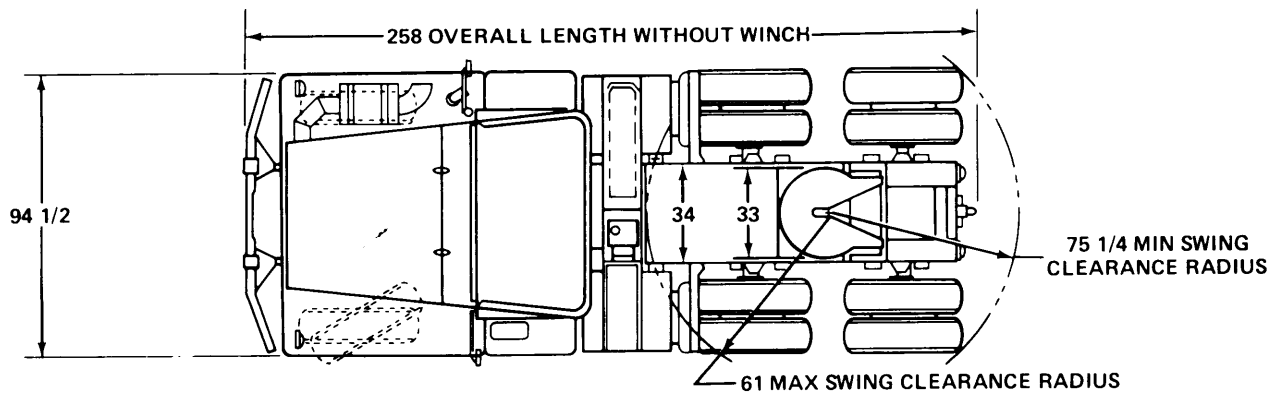
Cube: 1,315 cu ft

Ground Clearance: 10 3/4 in

Fifth Wheel Height: 56 5/8 in



NOTE:
ALL DIMENSIONS ARE IN INCHES.



TA208900

PURPOSE: Used to tow semitrailers, designed to operate under unusual conditions.

GENERAL INFORMATION

Nomenclature: TRUCK, TRACTOR: 5-Ton,
6x6, WO/Winch, W/E

Model Number: M52A2

Crew/Cab Capacity: 2

NSN: 2320-00-055-9260

LIN: X59326

SSN: D140060

TM: 9-2320-21 I-Series

CHARACTERISTICS

Horsepower: 198 bhp @ 2,800 rpm

Transmission: Synchromesh; 5 Fwd, 1 Rev

Electrical System: 24 Volt

Tires: 1 1:00 x 20, 12-ply

Brakes: Air over hydraulic

Blackout Lights: Yes

PERFORMANCE DATA

Fording:

W/Kit: 78 in

WO/Kit: 30 in

Approach Angle: 52 1/2 Degrees

VEHICLE DATA

Type Classification & Date: Std B, 1971

Replaces/Replaced By: M818

Life Expectancy: 20 Years

Payload: 15,000 lb

Towed Load Allowance: 37,000 lb

Air Transportability:

EQUIPMENT OPTIONS

Kits: Hot Water Personnel Heater, Arctic
Winterization, Deep Water Fording, Person-
nel Heater, Thermal Barrier, Hard Top,
Air or Electric Brakes

Winch: No

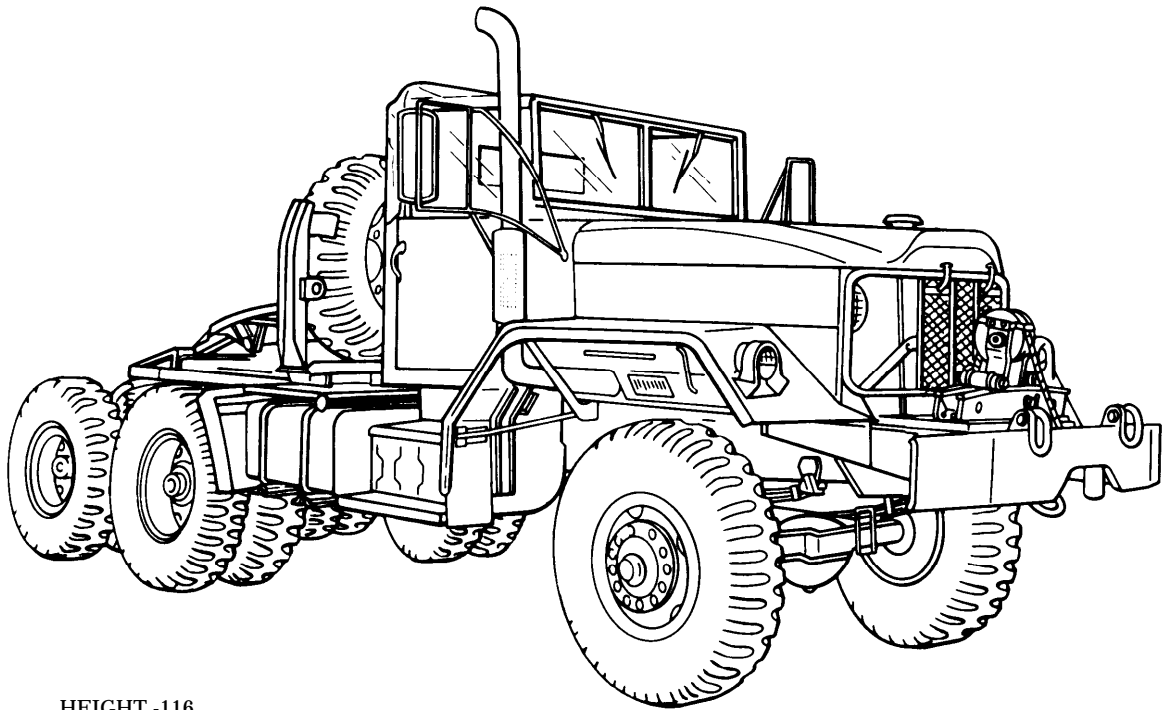
SHIPPING DATA

Weight: 17,840 lb

Cube: 1,250 cu ft

Ground Clearance: 10 3/4 in

Fifth Wheel Height: 58 in



HEIGHT -116
LENGTH -260
WIDTH -97 1/2

NOTE:
ALL DIMENSIONS ARE IN INCHES.

TA206761

PURPOSE: To perform general towing.

GENERAL INFORMATION

Nomenclature: TRUCK, TRACTOR: 5-Ton,
6x6, W/Winch, W/E

Model Number: M818

Crew/Cab Capacity: 2

NSN: 2320-00-050-8978

LIN: X59463

SSN: D140060

TM: 9-2320-260-Series

CHARACTERISTICS

Horsepower: 225 bhp @ 2,100 rPm

Transmission: Manual; 5 Fwd, 1 Rev

Electrical System: 24 Volt

Tires: 11:00 x 20, 12-ply

Brakes: Air over hydraulic

Blackout Lights: Yes

PERFORMANCE DATA

Fording:

W/Kit: 78 in

WO/Kit: 30 in

Approach Angle: 34 Degrees

Maximum Speed: 52 mph

Cruising Range: 300 miles (With Towed
Load)

VEHICLE DATA

Type Classification & Date: Std A, 1971

Replaces: M52 Series

Life Expectancy: 20 Years

Payload: 15,000 lb

Towed Load Allowance: 37,500 lb

Air Transportability: Phase II, unladen

EQUIPMENT OPTIONS

Kits: Fording, Personnel Heater, Hard Top,
Thermal Barrier, Winterization, Electric
Brake, Slave, Front Lifting, Hot Water Per-
sonnel Heater, Alternator Conversion, Air
Drop, Machine Gun Mounting, Windshield
Washer, Fire Extinguisher, Tachograph,
Seat Belt (Floating), Mud Flap, Low Air
Pressure Warning Light

Winch: Yes

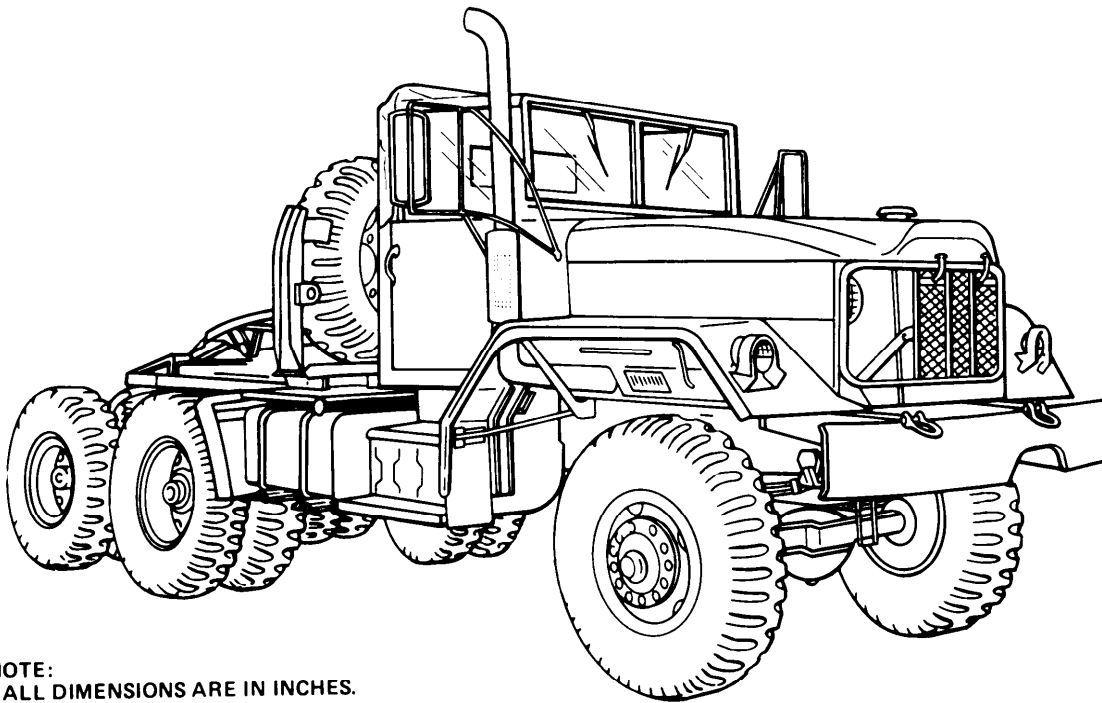
SHIPPING DATA

Weight: 20,955 lb

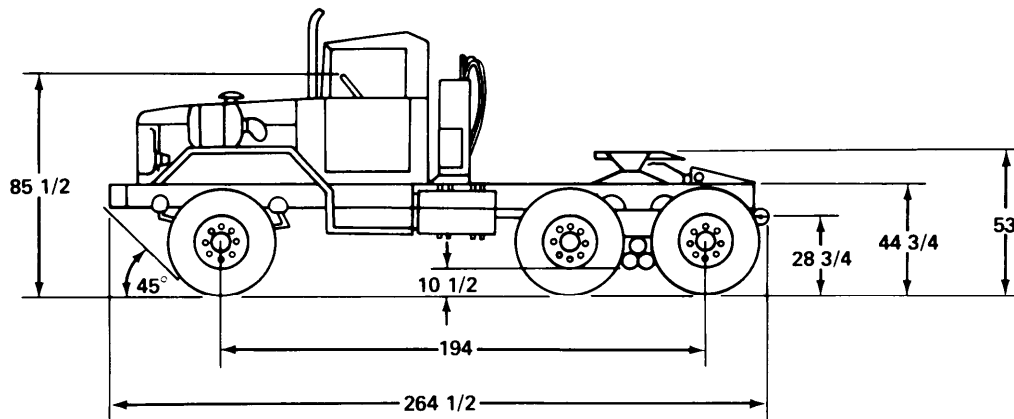
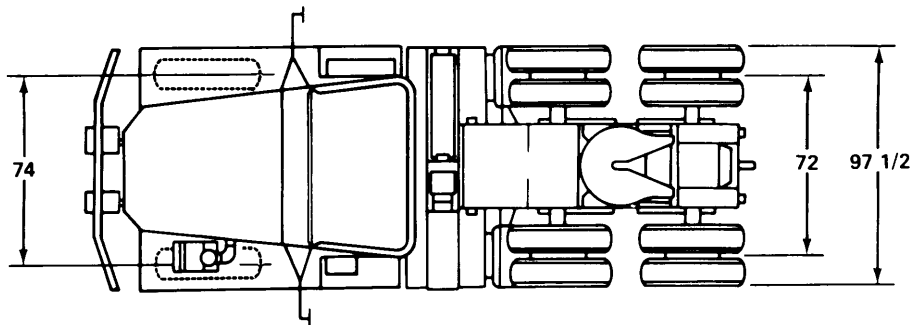
Cube: 1,357 cu ft

Ground Clearance: 10 1/2 in

Fifth Wheel Height: 53 in



NOTE:
ALL DIMENSIONS ARE IN INCHES.



TA208560

PURPOSE: To perform general towing.

GENERAL INFORMATION

Nomenclature: TRUCK, TRACTOR: 5-Ton,
6x6, WO/Winch

Model Number: M818

Crew/Cab Capacity: 2

NSN: 2320-00-050-8984

LIN: X59326

SSN: D140060

TM: 9-2320-260-Series

CHARACTERISTICS

Horsepower: 225 bhp @ 2,100 rpm

Transmission: Manual; 5 Fwd, 1 Rev

Electrical System: 24 Volt

Tires: 11:00 x 20, 12-ply

Brakes: Air over hydraulic

Blackout Lights: Yes

PERFORMANCE DATA

Fording:

W/Kit: 78 in

WO/Kit: 30 in

Approach Angle: 45 Degrees

Maximum Speed: 52 mph

Cruising Range: 300 miles (With Towed
Load)

VEHICLE DATA

Type Classification & Date: Std A, 1971

Replaces: M52 Series

Life Expectancy: 20 Years

Payload: 15,000 lb

Towed Load Allowance: 37,500 lb

Air Transportability: Phase II, unladen

EQUIPMENT OPTIONS

Kits: Fording, Personnel Heater, Hard Top,
Thermal Barrier, Winterization, Electric
Brake, Slave, Front Lifting, Hot Water Per-
sonnel Heater, Alternator Conversion,
Machine Gun Mounting, Windshield
Washer, Fire Extinguisher, Tachograph,
Seat Belt (Floating), Low Air Pressure
Warning Light

Winch: No

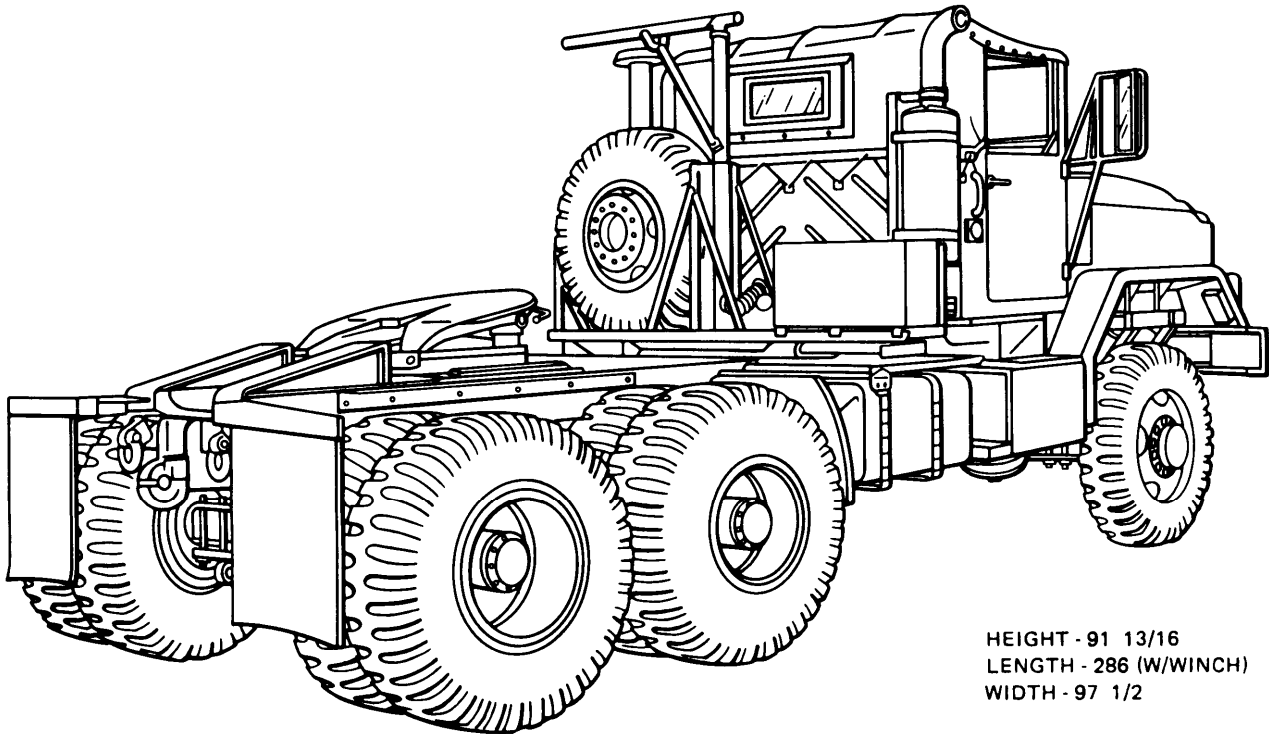
SHIPPING DATA

Weight: 20,290 lb

Cube: 1,282 cu ft

Ground Clearance: 10 1/2 in

Fifth Wheel Height: 53 in



HEIGHT - 91 13/16
LENGTH - 286 (W/WINCH)
WIDTH - 97 1/2

NOTE:
ALL DIMENSIONS ARE IN INCHES.

TA208723

PURPOSE: To haul semitrailer load up to 37,500 lb. Vehicle is equipped with a pintle hook for hauling eye-hook trailer loads up to 15,000 lb.

GENERAL INFORMATION

Nomenclature: TRUCK, TRACTOR: 5-Ton,
6x6, WO/Winch

Model Number: M931

Crew/Cab Capacity: 3

NSN: 2320-01-047-8753

LIN: X59326

SSN: D140060

TM: 9-2320-272-Series

CHARACTERISTICS

Engine: Diesel, 6 cyl.

Horsepower: 240 bhp @ 2,100 rpm

Transmission: Automatic; 5 Fwd, 1 Rev

Electrical System: 24 Volt

Tires: 11:00 x 20, 12-ply

Brakes: Air

Blackout Lights: Yes

PERFORMANCE DATA

Fording:

W/Kit: 78 in

WO/Kit: 30 in

Approach Angle: 46 Degrees

Maximum Speed: 54 mph

Range: 480 miles

VEHICLE DATA

Type Classification & Date: Std A, 1979

Replaces: M818

Life Expectancy: 20 Years

Payload: 15,000 lb

Towed Load Allowance: 37,500 lb

Air Transportability: Phase II

EQUIPMENT OPTIONS

Kits: 100 Amp Alternator, Radiator and Hood Cover, Engine Coolant Heater, Fuel Burning Heater, Chemical Alarm, Deep Water Fording, Gun Ring Mounting, Machine Gun Adapter, M13 Decontamination, Swingfire Heater

Winch: No

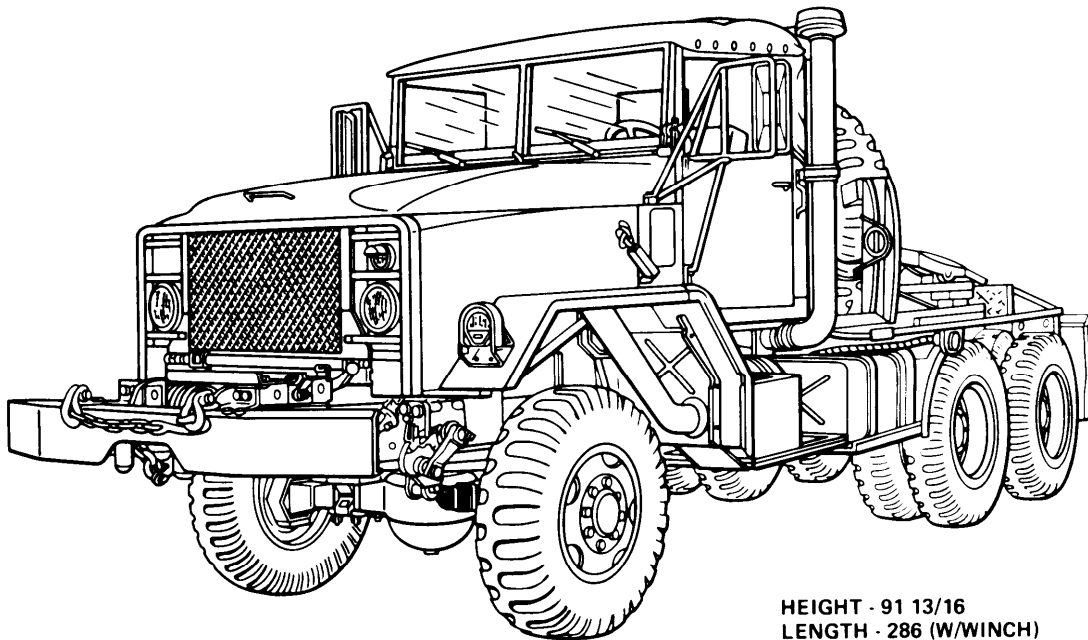
SHIPPING DATA

Weight: 21,600 lb

Cube: 1,362.26 cu ft

Ground Clearance: 10 1/2 in

Fifth Wheel Height: 52 1/4 in



HEIGHT - 91 13/16
LENGTH - 286 (W/WINCH)
WIDTH - 97 1/2

NOTE:
ALL DIMENSIONS ARE IN INCHES.

TA208724

PURPOSE: To haul semitrailer load up to 37,500 lb. Equipped with a pintle hook for hauling eye-hook trailer loads up to 15,000 lb.

GENERAL INFORMATION

Nomenclature: TRUCK, TRACTOR: 5-Ton,
6x6, W/Winch, W/E

Model Number: M932

Crew/Cab Capacity: 3

NSN: 2320-01-047-8752

LIN: X59463

SSN: D140060

TM: 9-2320-272-Series

CHARACTERISTICS

Horsepower: 240 bhp @ 2,100 rpm

Transmission: Automatic; 5 Fwd, 1 Rev

Electrical System: 24 Volt

Tires: 11:00 x 20, 12-ply

Brakes: Air

Blackout Lights: Yes

PERFORMANCE DATA

Fording:

W/Kit: 78 in

WO/Kit: 30 in

Approach Angle: 31 Degrees

Maximum Speed: 54 mph

Range: 480 miles

VEHICLE DATA

Type Classification & Date: Std A, 1979

Replaces: M818

Life Expectancy: 20 Years

Payload: 15,000 lb

Towed Load Allowance: 37,500 lb

Air Transportability: Phase II

EQUIPMENT OPTIONS

Kits: 100 Amp Alternator, Radiator and Hood Cover, Engine Coolant Heater, Fuel Burning Heater, Chemical Alarm, Deep Water Fording, Gun Ring Mounting, Machine Gun Adapter, "A" Frame, M13 Decontamination, Swingfire Heater

Winch: Yes

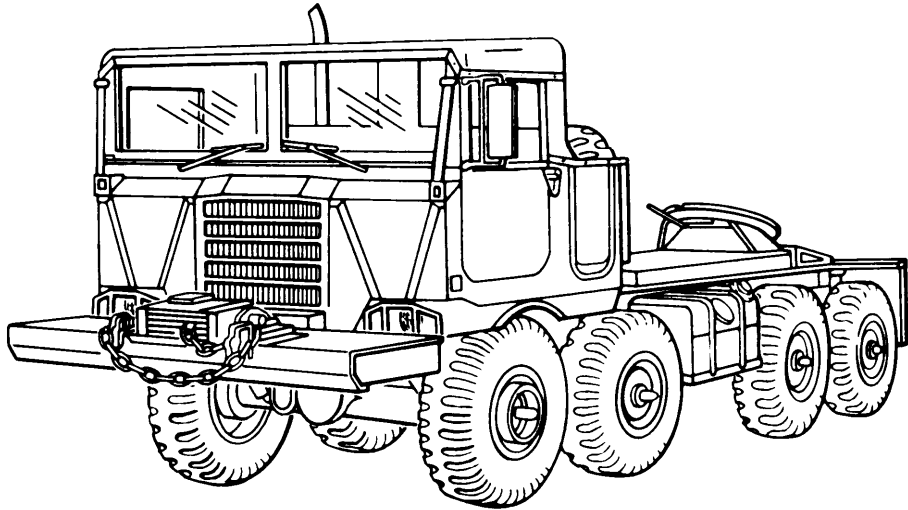
SHIPPING DATA

Weight: 21,430 lb

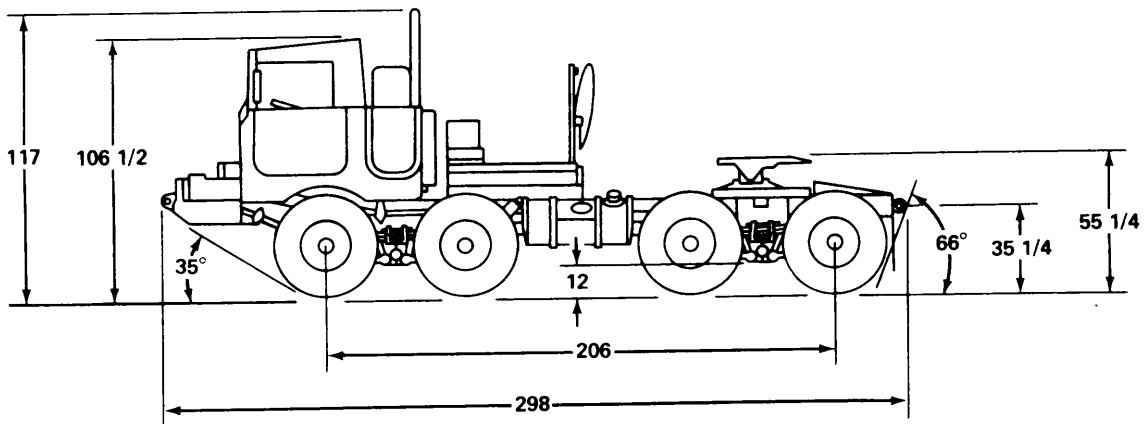
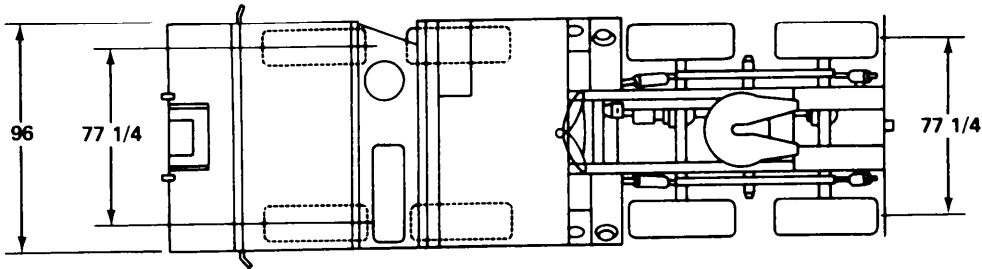
Cube: 1,473 cu ft

Ground Clearance: 10 1/2 in

Fifth Wheel Height: 52 1/4 in



NOTE:
ALL DIMENSIONS ARE IN INCHES.



TA208672

PURPOSE: A tactical vehicle designed primarily for towing semitrailer loads of military supplies on main supply routes and cross-country.

GENERAL INFORMATION

Nomenclature: TRUCK, TRACTOR: 5-Ton,
8x8, W/Winch, W/E

Model Number: M757

Crew/Cab Capacity: 2

NSN: 2320-00-937-1846

LIN: X59505

SSN: D172020

TM: 9-2320-230-Series

CHARACTERISTICS

Horsepower: 200 bhp @ 2,800 rpm

Transmission: Manual; 6 Fwd, 1 Rev

Electrical System: 24 Volt

Tires: 16:00 x 20, 10-ply

Brakes: Air

Blackout Lights: Yes

PERFORMANCE DATA

Fording:

W/Kit:

WO/Kit: 40 in

Approach Angle: 35 Degrees

VEHICLE DATA

Type Classification & Date: Std A, 1971

Replaces/Replaced By:

Life Expectancy: 20 Years

Payload: 10,000 lb

Towed Load Allowance: 37,500 lb

Air Transportability: Phase II

EQUIPMENT OPTIONS

Kits: Personnel Heater

Winch: Yes

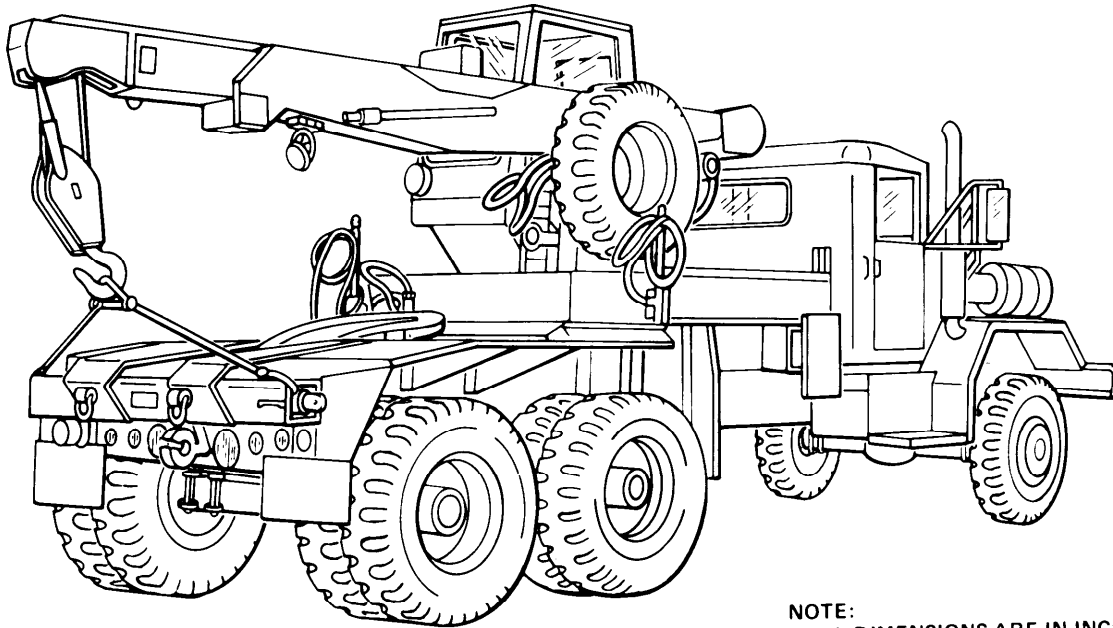
SHIPPING DATA

Weight: 16,700 lb

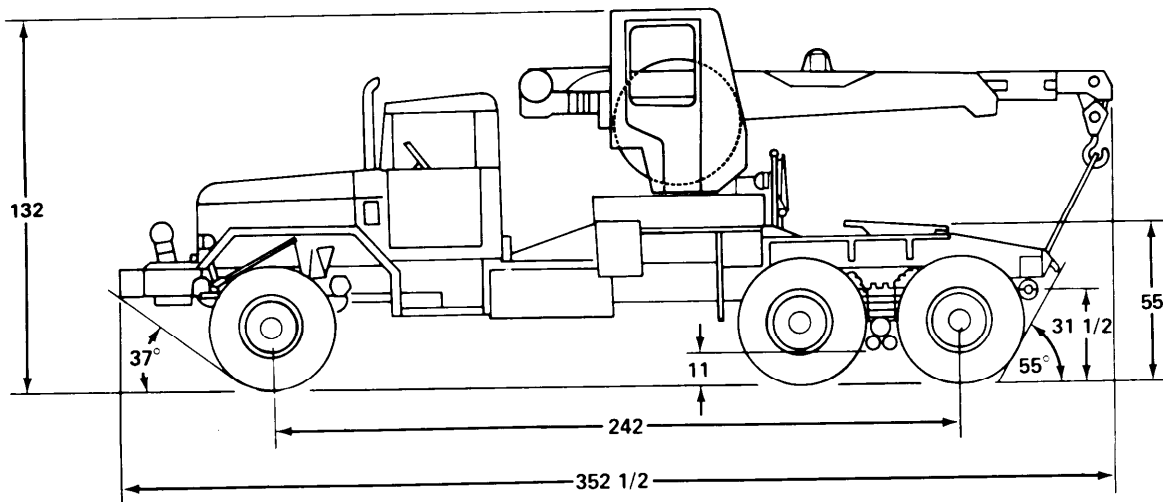
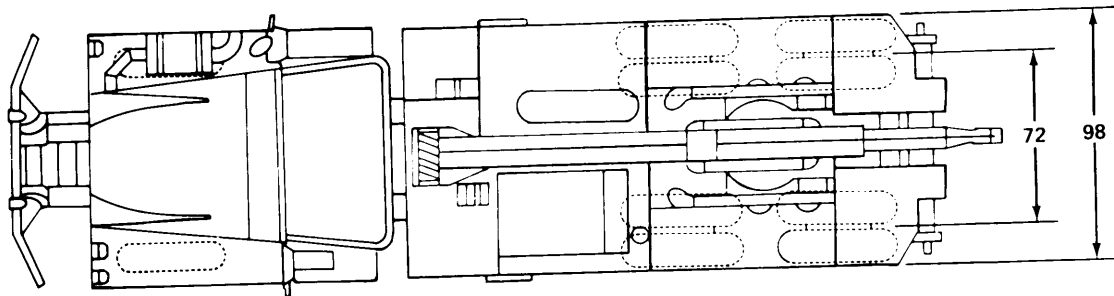
Cube: 1,792 cu ft

Ground Clearance: 12 in

Fifth Wheel Height: 55 1/4 in



NOTE:
ALL DIMENSIONS ARE IN INCHES.



TA208623

PURPOSE: To salvage crashed aircraft and to perform general towing.

GENERAL INFORMATION

Nomenclature: TRUCK, TRACTOR: 5-Ton,
6x6, Wrecker, W/Winch, W/E

Model Number: M246

Crew/Cab Capacity: 2

NSN: 2320-00-835-8639

UN: X60696

SSN: D140070

TM: 9-2320-211-Series

CHARACTERISTICS

Horsepower: 196 bhp @12,800 rpm

Transmission: Manual; 5 Fwd, 1 Rev

Electrical System: 24 Volt

Tires: 12:00 x 20, 12-ply

Brakes: Air over hydraulic

Blackout Lights: Yes

PERFORMANCE DATA

Fording:

W/Kit: 78 in

WO/Kit: 30 in

Approach Angle: 37 Degrees

VEHICLE DATA

Type Classification & Date: Std B, 1965

Replaced By: M819

Life Expectancy: 20 Years

Payload: 12,000 lb

Towed Load Allowance: 20,000 lb

Air Transportability: Phase III

EQUIPMENT OPTIONS

Kits: Fording, Winterization

Winch: Yes

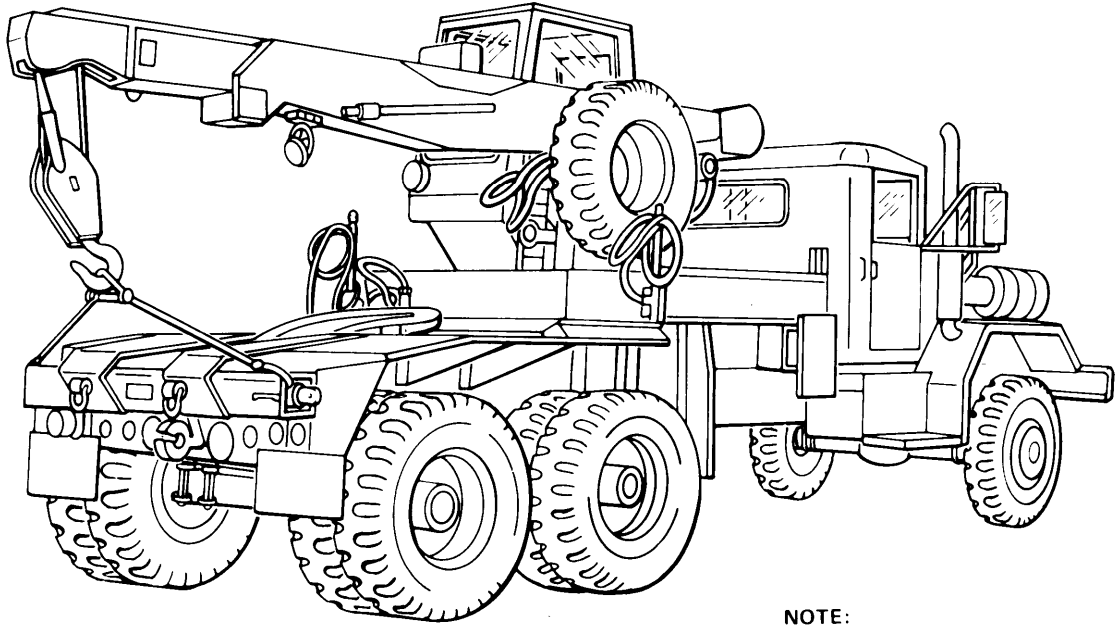
SHIPPING DATA

Weight: 32,830 lb

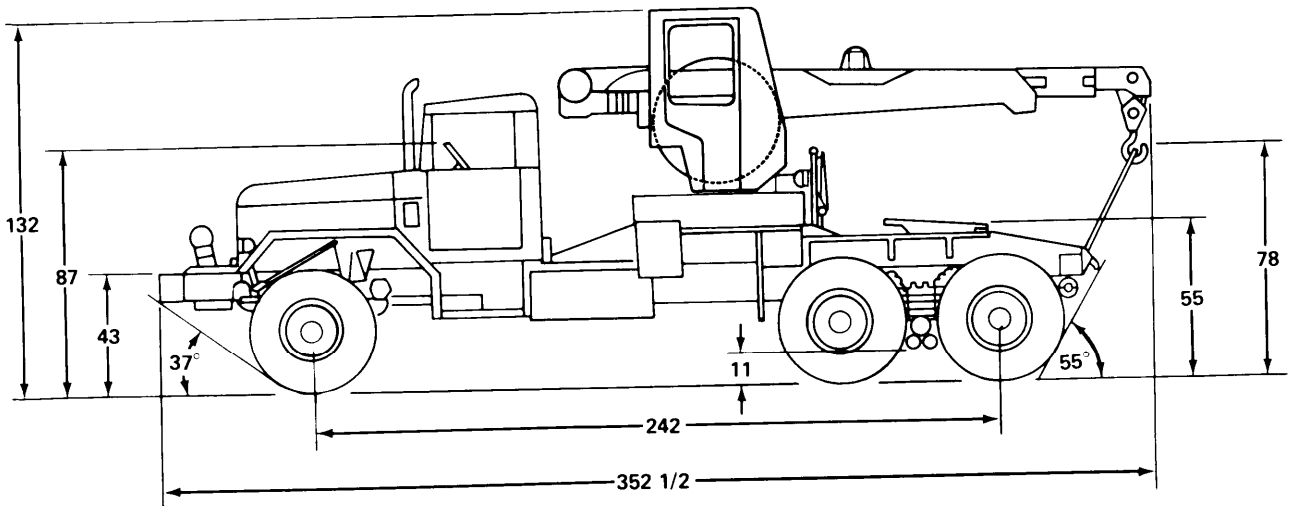
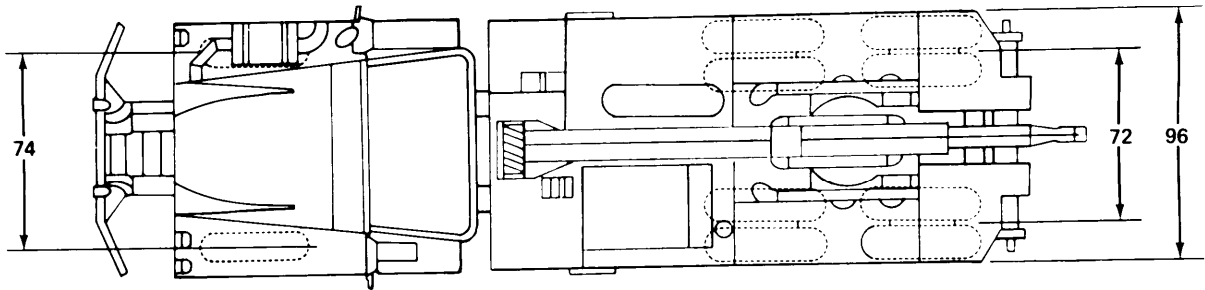
Cube: 2,630 cu ft

Ground Clearance: 11 in

Fifth Wheel Height: 55 in



NOTE:
ALL DIMENSIONS ARE IN INCHES.



TA208624

PURPOSE: To perform general towing.

GENERAL INFORMATION

Nomenclature: TRUCK, TRACTOR: 5-Ton,
6x6, Wrecker, W/W/inch, W/E

Model Number: M246A2

Crew/Cab Capacity: 2

NSN: 2320-00-073-8251

LIN: X60696

SSN: D140070

TM: 9-2320-211-Series

CHARACTERISTICS

Horsepower: 198 bhp @ 2,800 rpm

Transmission: Manual; 5 Fwd, 1 Rev

Electrical System: 24 Volt

Tires: 12:00 x 20, 12-ply

Brakes: Air over hydraulic

Blackout Lights: Yes

PERFORMANCE DATA

Fording:

W/Kit: 78 in

WO/Kit: 30 in

Approach Angle: 37 Degrees

VEHICLE DATA

Type Classification & Date: Std B, 1971

Replaced By: M819

Life Expectancy: 20 Years

Payload: 12,000 lb

Towed Load Allowance: 20,000 lb

Air Transportability: Phase III

EQUIPMENT OPTIONS

Kits: Fording, Winterization

Winch: Yes

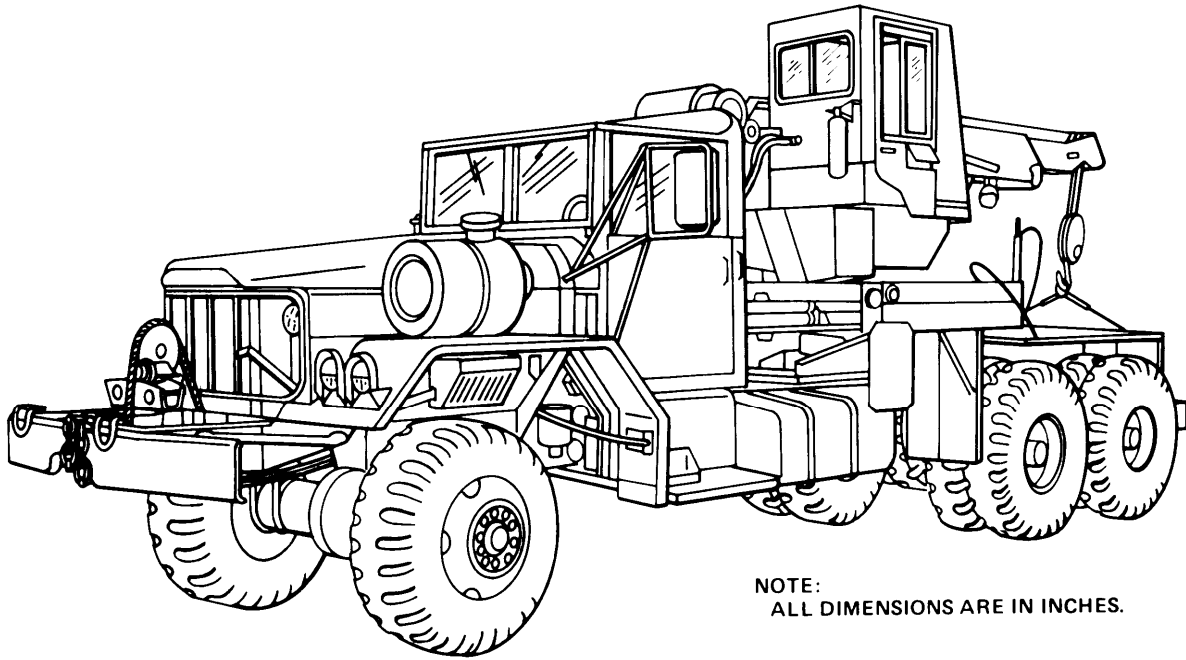
SHIPPING DATA

Weight: 46,650 lb

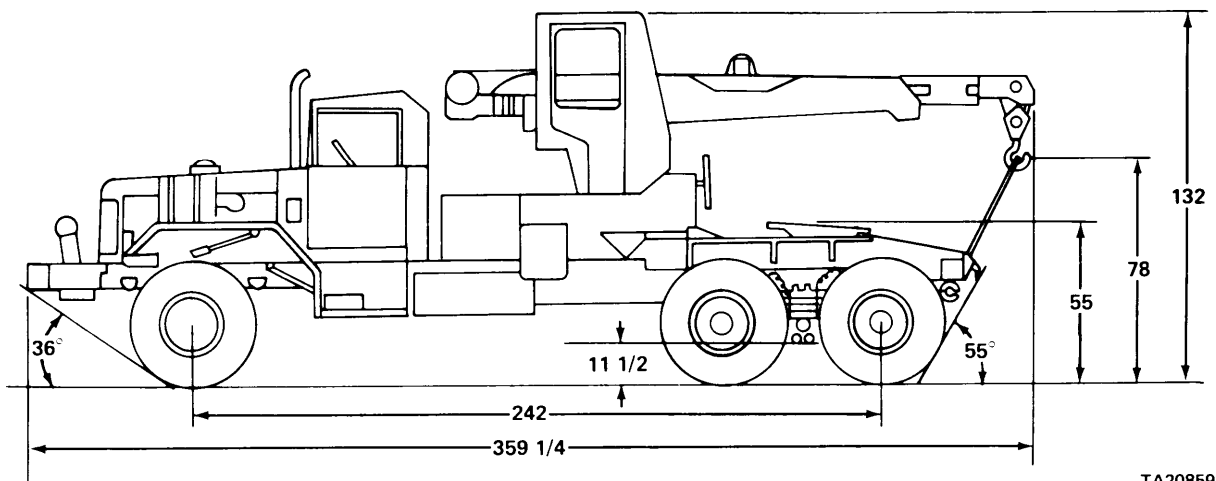
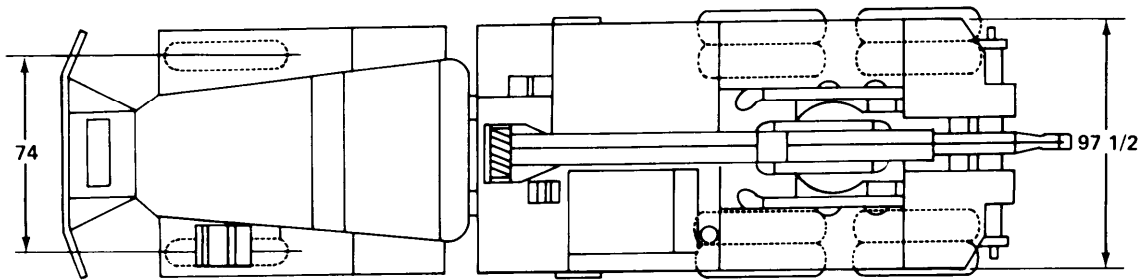
Cube: 2,640 cu ft

Ground Clearance: 11 in

Fifth Wheel Height: 55 in



NOTE:
ALL DIMENSIONS ARE IN INCHES.



TA208592

PURPOSE: To perform general towing, recover disabled vehicles; change engines, power packs, gun tubes, etc.; load/unload supplies.

GENERAL INFORMATION

Nomenclature: TRUCK, TRACTOR: 5-Ton,
6x6, Wrecker, W/Winch

Model Number: M819

Crew/Cab Capacity: 2

NSN: 2320-00-050-9004

LIN: X60696

SSN: D140070

TM: 9-2320-260-Series

CHARACTERISTICS

Horsepower: 225 bhp @ 2,100 rpm

Transmission: Manual; 5 Fwd, 1 Rev

Electrical System: 24 Volt

Tires: 11:00 x 20, 12-ply

Brakes: Air over hydraulic

Blackout Lights: Yes

PERFORMANCE DATA

Fording:

W/Kit: 78 in

WO/Kit: 30 in

Approach Angle: 36 Degrees

Maximum Speed: 52 mph

Cruising Range: 300 miles (With Towed
Load)

VEHICLE DATA

Type Classification & Date: Std A, 1971

Replaces: M246 Series

Life Expectancy: 20 Years

Payload: 12,000 lb

Towed Load Allowance: 20,000 lb

Air Transportability: Phase II, unladen

EQUIPMENT OPTIONS

Kits: Fording, Personnel Heater, Hard Top,
Thermal Barrier, Winterization, Electric
Brake, Slave, Hot Water Personnel Heater,
Front Lifting, Alternator Conversion,
Machine Gun Mounting, Windshield
Washer, Fire Extinguisher, Tachograph,
Seat Belt (Floating), Low Air Pressure
Warning Light

Winch: Yes

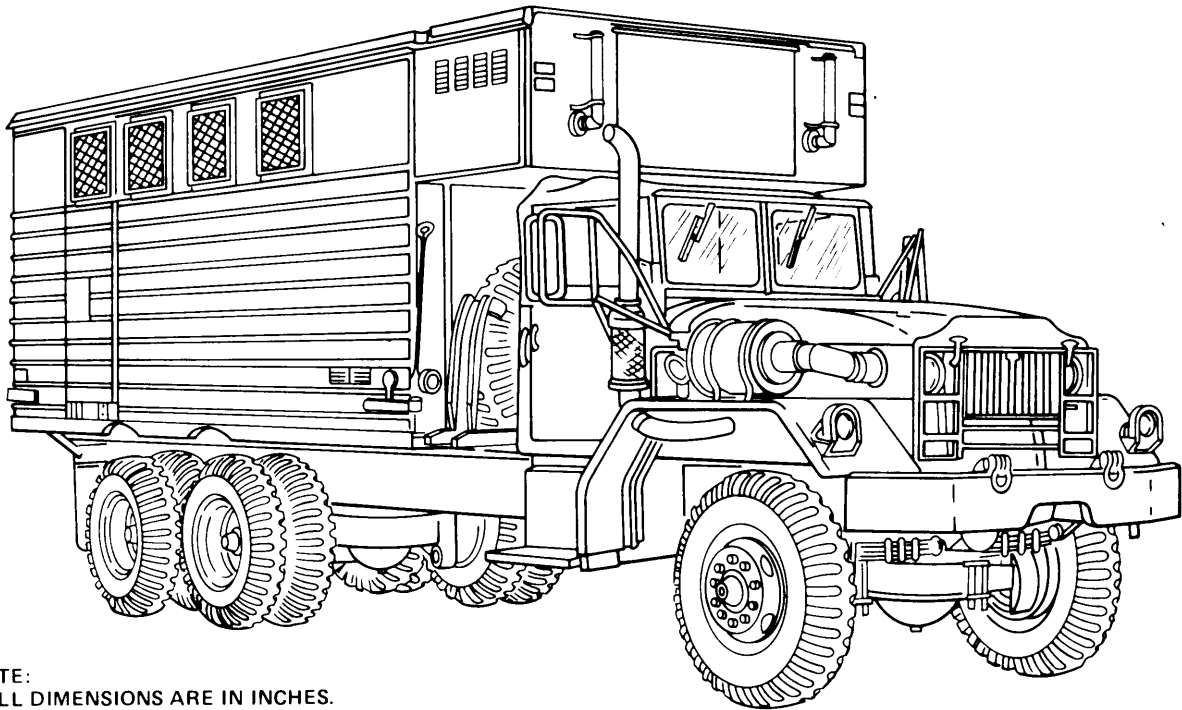
SHIPPING DATA

Weight: 33,940 lb

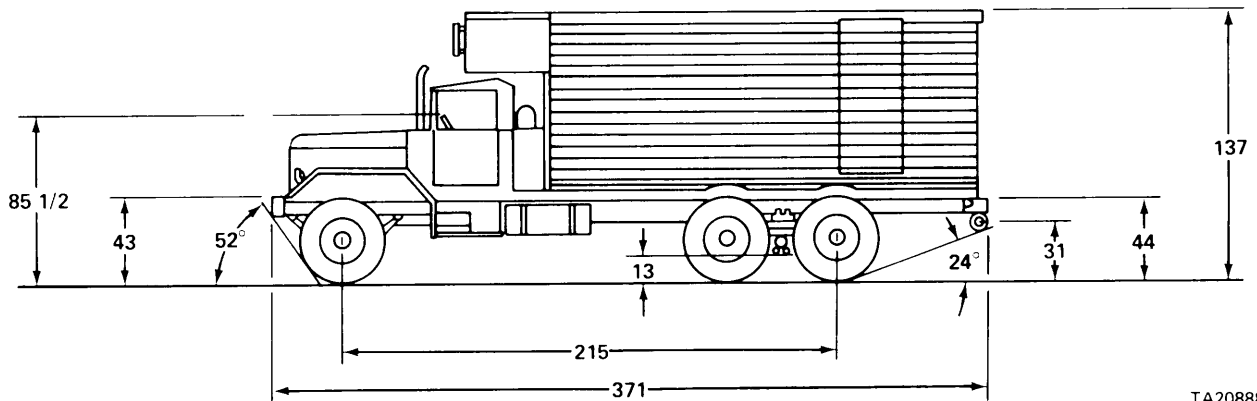
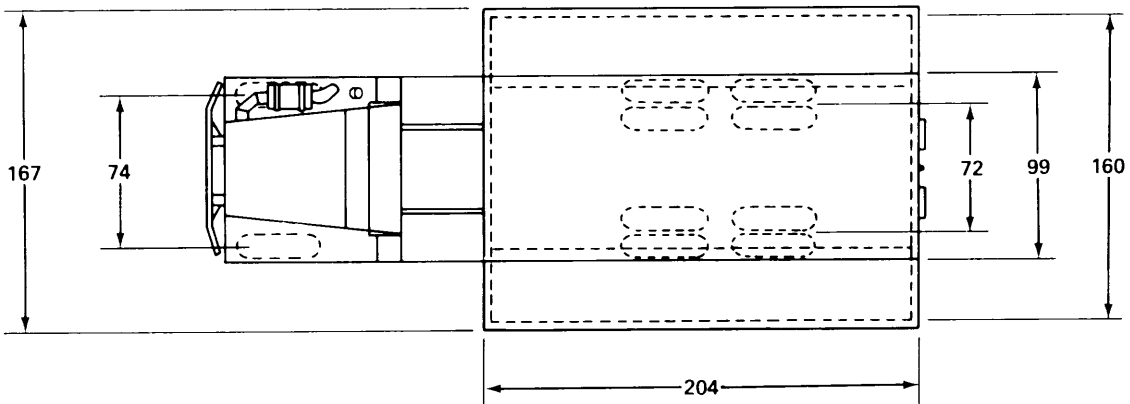
Cube: 2,717 cu ft

Ground Clearance: 11 1/2 in

Fifth Wheel Height: 55 in



NOTE:
ALL DIMENSIONS ARE IN INCHES.



TA208886

PURPOSE: To transport electronic base stations into the field. To serve as communications station or electronic repair station.

GENERAL INFORMATION

Nomenclature: TRUCK, VAN: 5-Ton,
6x6, Expansible, WO/Winch, W/E (Army)

Model Number: M291A1

Crew/Cab Capacity: 2

NSN: 2320-00-880-4642

LIN: X62237

SSN: D140080

TM: 9-2320-211-Series

CHARACTERISTICS

Horsepower: 205 bhp @ 2,100 rpm

Transmission: Manual; 5 Fwd, 1 Rev

Electrical System: 24 Volt

Tires: 11:00 x 20

Brakes: Air over hydraulic

Blackout Lights: Yes

PERFORMANCE DATA

Fording:

W/Kit: 78 in

WO/Kit: 30 in

Approach Angle: 52 Degrees

VEHICLE DATA

Type Classification & Date: Std B, 1969

Replaced By: M935, M820A

Life Expectancy: 20 Years

Payload: 5,000 lb

Towed Load Allowance: 15,000 lb

Air Transportability: Phase II

EQUIPMENT OPTIONS

Kits: Fording, Winterization,
Personnel Heater

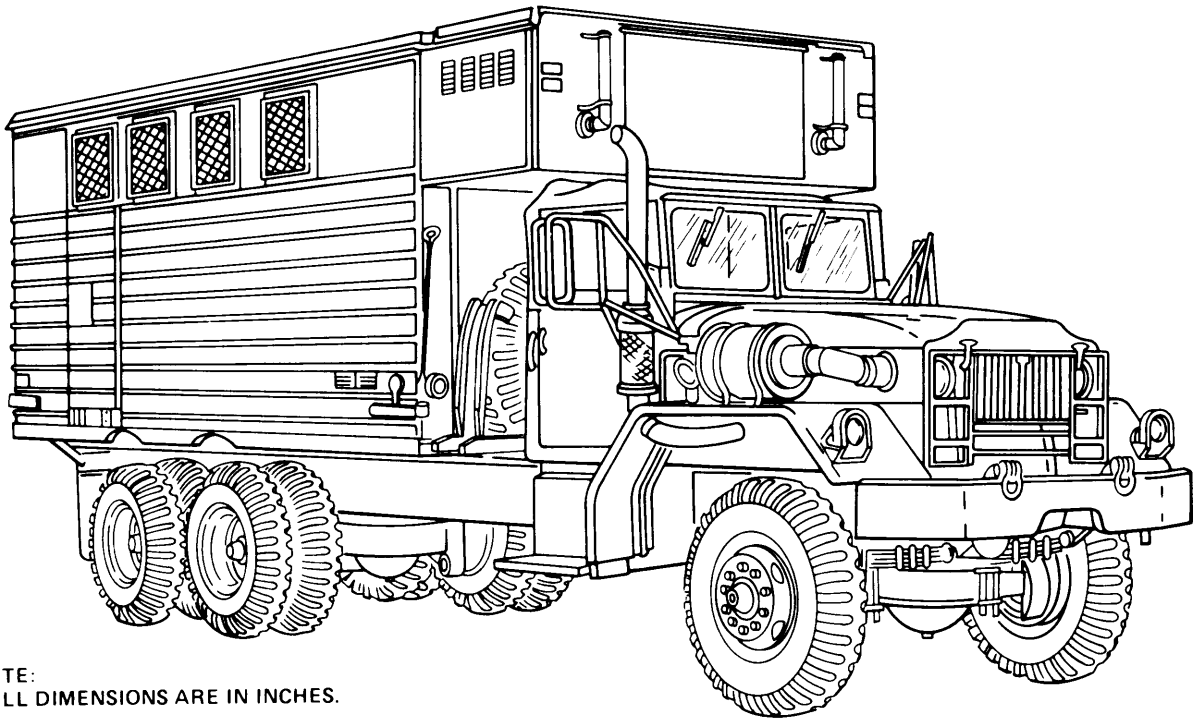
Winch: No

SHIPPING DATA

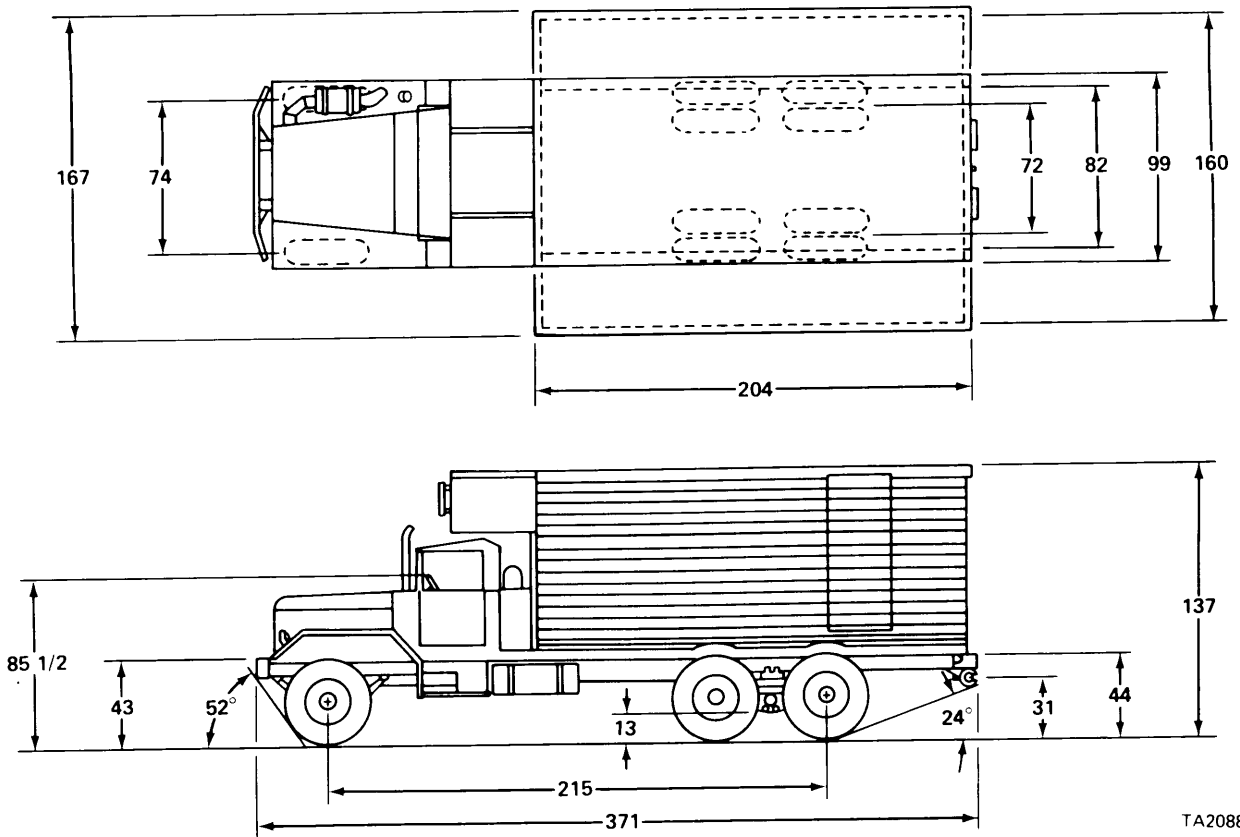
Weight: 26,270 lb

Cube: 2,733 cu ft

Ground Clearance: 13 in



NOTE:
ALL DIMENSIONS ARE IN INCHES.



TA208888

PURPOSE: To transport electronic base stations into the field. To serve as communications station or electronic repair station.

GENERAL INFORMATION

Nomenclature: TRUCK, VAN: 5-Ton,
6x6, Expansible, WO/Winch, W/E

Model Number: M291A1C

Crew/Cab Capacity: 3

NSN: 2320-00-880-4646

LIN:

SSN: D140080

TM: 9-2320-211-Series

CHARACTERISTICS

Horsepower: 205 bhp @ 2,100 rpm

Transmission: Manual; 5 Fwd, 1 Rev

Electrical System: 24 Volt

Tires: 12:00 x 20, 14-ply

Brakes: Air over hydraulic

Blackout Lights: Yes

PERFORMANCE DATA

Fording:

W/Kit: 78 in

WO/Kit: 30 in

Approach Angle: 52 Degrees

VEHICLE DATA

Type Classification & Date:

Replaced By: M935, M820A

Life Expectancy: 20 Years

Payload: 5,000 lb

Towed Load Allowance: 15,000 lb

Air Transportability: Phase II

EQUIPMENT OPTIONS

Kits: Fording, Winterization,
Personnel Heater

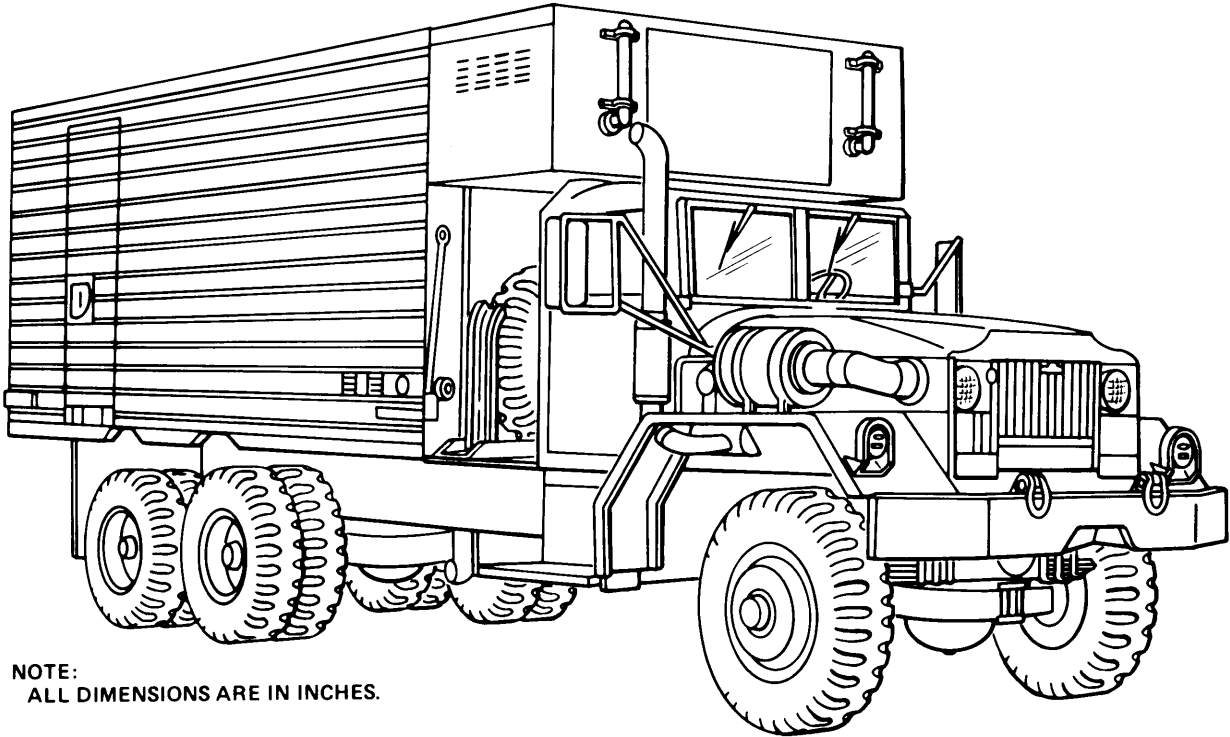
Winch: No

SHIPPING DATA

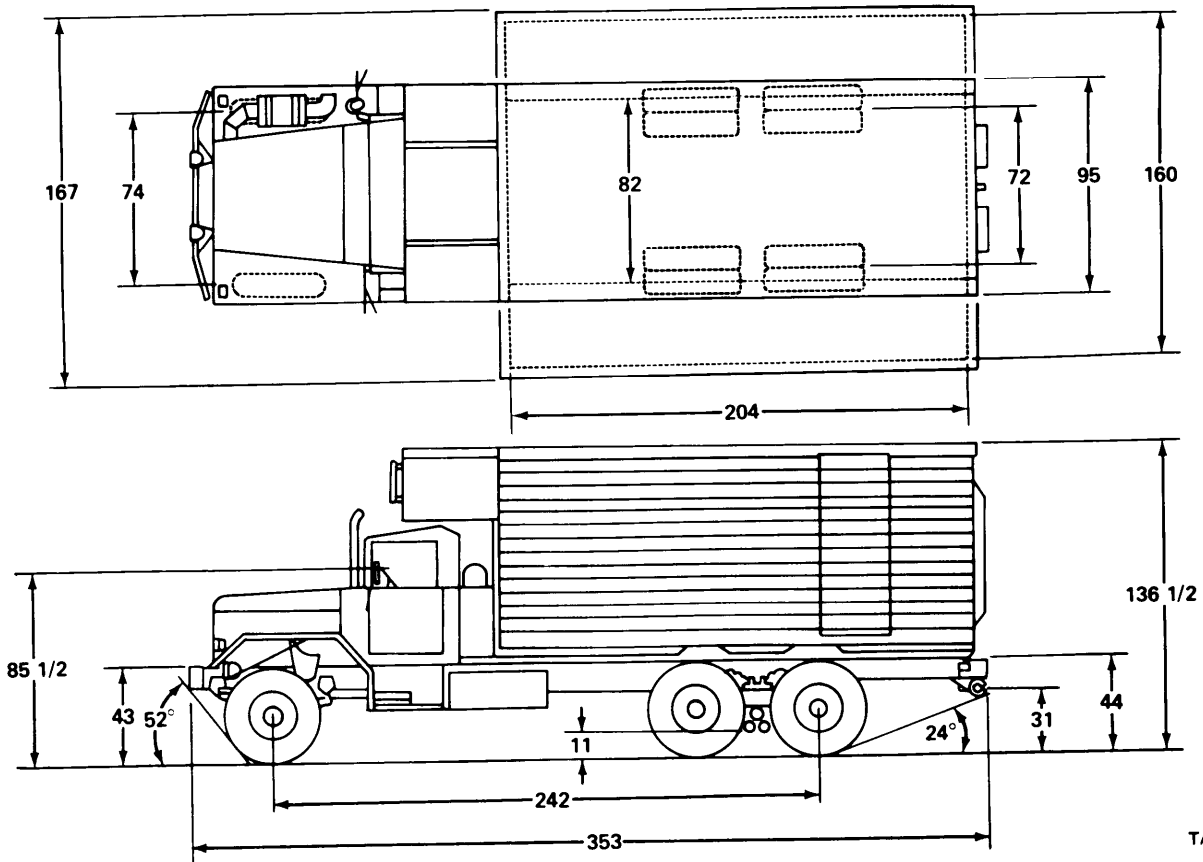
Weight: 25,572 lb

Cube: 2,733 cu ft

Ground Clearance: 13 in



NOTE:
ALL DIMENSIONS ARE IN INCHES.



TA208584

PURPOSE: To transport electronic base stations into the field. To serve as communications station or electronic repair station. Hydraulic lift gate facilitates moving heavy, delicate electronic equipment in and/or out of van.

GENERAL INFORMATION

Nomenclature: TRUCK, VAN: 5-Ton,
6x6, Expansible, W/Hydraulic Lift
Gate, W/O Winch, W/E

Model Number: M291A1D

Crew/Cab Capacity: 2

NSN: 2320-00-880-4647

LIN: X62271

SSN: D140080

TM: 9-2320-211-Series

CHARACTERISTICS

Horsepower: 205 bhp @ 2,100 rpm

Transmission: Manual; 5 Fwd, 1 Rev

Electrical System: 24 Volt

Tires: 12:00 x 20, 14-ply

Brakes: Air over hydraulic

Blackout Lights: Yes

PERFORMANCE DATA

Fording:

W/Kit: 78 in

WO/Kit: 30 in

Approach Angle: 52 Degrees

VEHICLE DATA

Type Classification & Date: Std B, 1969

Replaced By: M935, M820A

Life Expectancy: 20 Years

Payload: 5,000 lb

Towed Load Allowance: 15,000 lb

Air Transportability: Phase II

EQUIPMENT OPTIONS

Kits: Fording, Winterization,
Personnel Heater

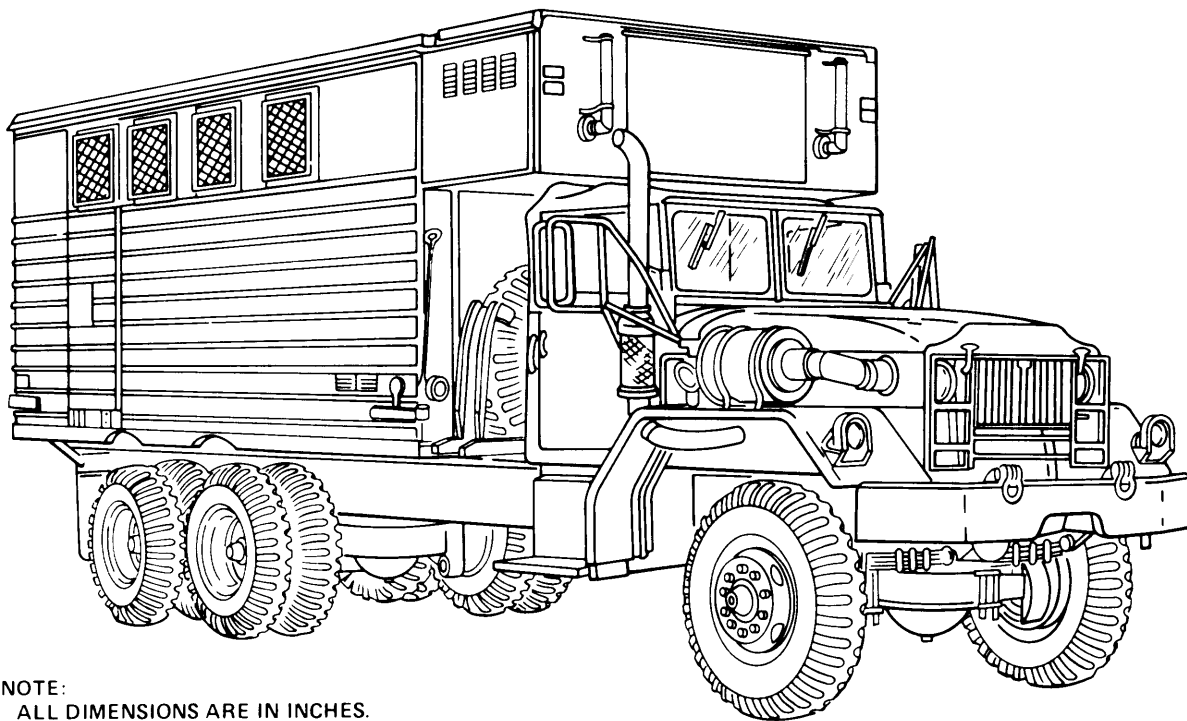
Winch: No

SHIPPING DATA

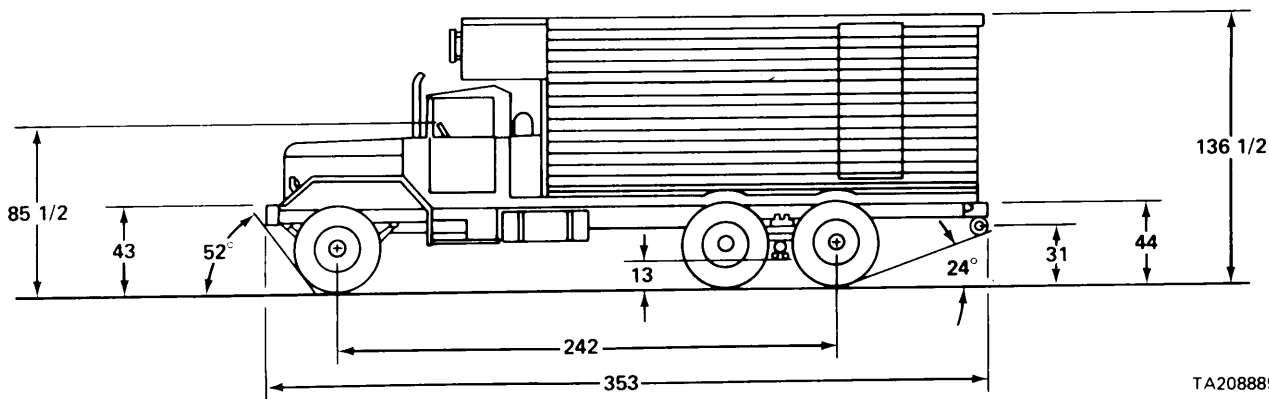
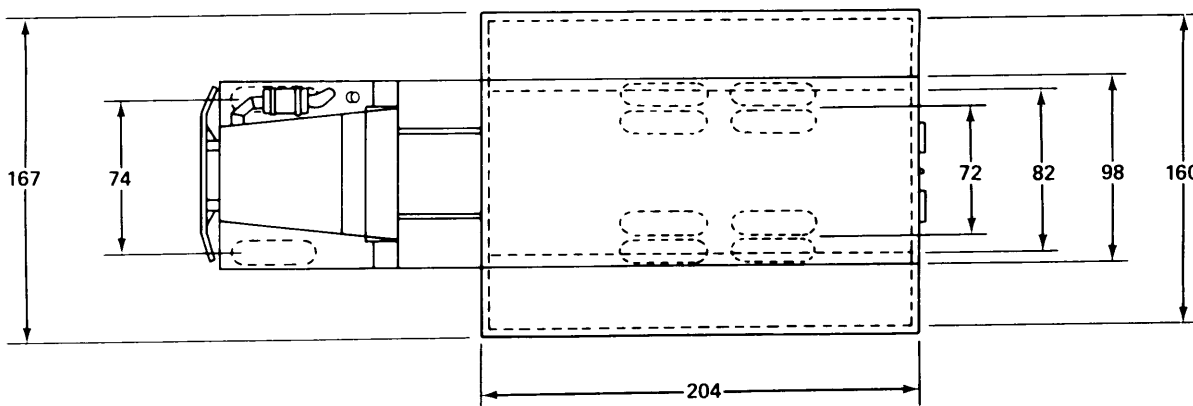
Weight: 25,572 lb

Cube: 2,733 cu ft

Ground Clearance: 11 in



NOTE:
ALL DIMENSIONS ARE IN INCHES.



TA208889

PURPOSE: To transport electronic base stations into the field. To serve as communications station or electronic repair station.

GENERAL INFORMATION

Nomenclature: TRUCK, VAN: 5-Ton,
6x6, Expansible, WO/Winch, W/E

Model Number: M291A2C

Crew/Cab Capacity: 3

NSN: 2320-00-907-0707

LIN:

SSN: D140080

TM: 9-2320-211-Series

CHARACTERISTICS

Horsepower: 198 bhp @ 2,800 rpm

Transmission: Manual; 5 Fwd, 1 Rev

Electrical System: 24 Volt

Tires: 12:00 x 20, 14-ply

Brakes: Air over hydraulic

Blackout Lights: Yes

PERFORMANCE DATA

Fording:

W/Kit: 78 in

WO/Kit: 30 in

Approach Angle: 52 Degrees

VEHICLE DATA

Type Classification & Date:

Replaces/Replaced By: M935, M820A

Life Expectancy: 20 Years

Payload: 5,000 lb

Towed Load Allowance: 15,000 lb

Air Transportability: Phase II

EQUIPMENT OPTIONS

Kits: Fording, Winterization,
Personnel Heater

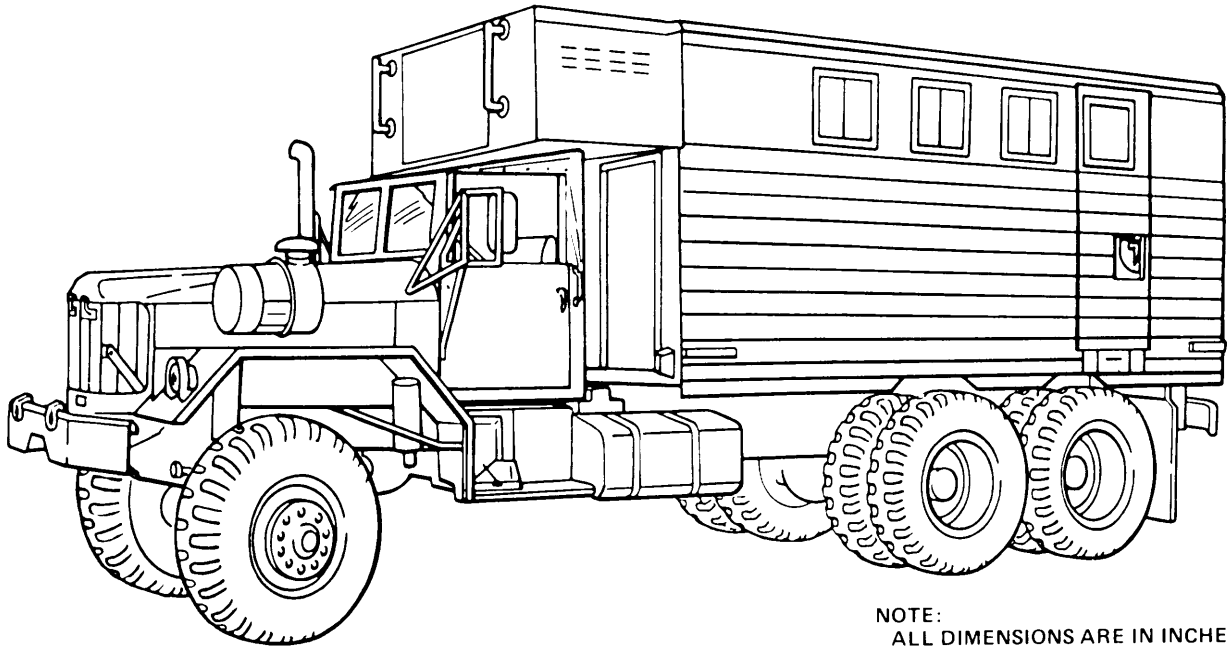
Winch: No

SHIPPING DATA

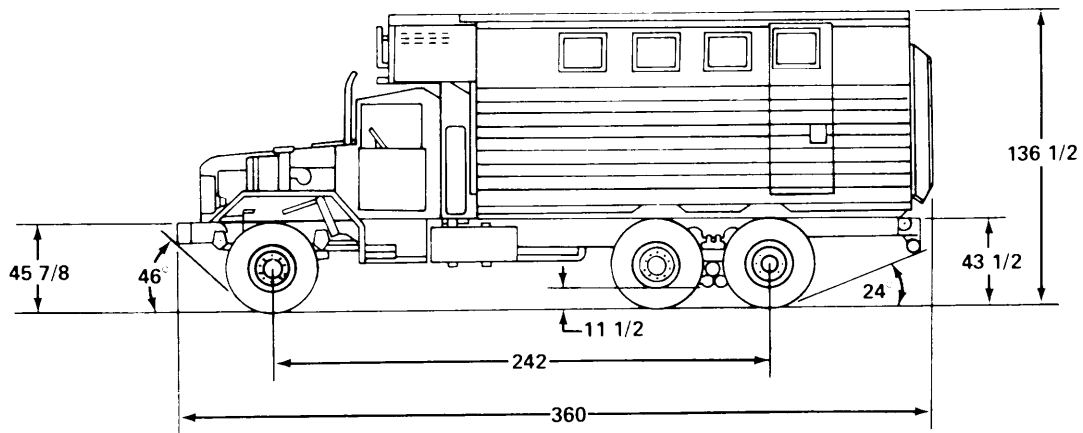
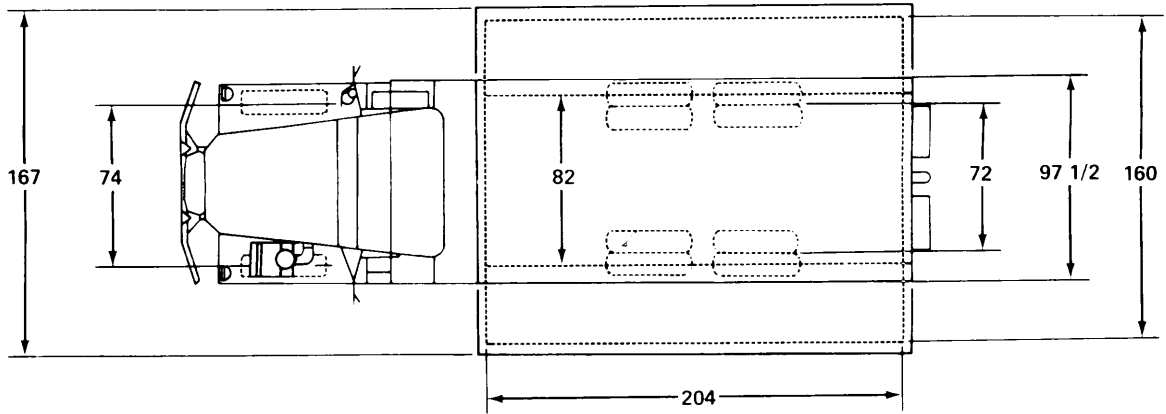
Weight: 25,800 lb

Cube: 2,780 cu ft

Ground Clearance: 11 1/2 in



NOTE:
ALL DIMENSIONS ARE IN INCHES.



TA208582

PURPOSE: To provide a mobile field maintenance facility.

GENERAL INFORMATION

Nomenclature: TRUCK, VAN: 5-Ton,
6x6, Expansible, WO/Winch, W/E,
(ARMY)

Model Number: M820

Crew/Cab Capacity: 2

NSN: 2320-00-050-9006

LIN: X62237

SSN: D140080

TM: 9-2320-260-Series

CHARACTERISTICS

Horsepower: 225 bhp @ 2,100 rpm

Transmission: Manual; 5 Fwd, 1 Rev

Electrical System: 24 Volt

Tires: 11:00 x 20, 12-ply

Brakes: Air over hydraulic

Blackout Lights: Yes

PERFORMANCE DATA

Fording:

W/Kit: 78 in

WO/Kit: 30 in

Approach Angle: 46 Degrees

VEHICLE DATA

Type Classification & Date: Std A, 1971

Replaces: M291A1

Life Expectancy: 20 Years

Payload: 5,000 lb

Towed Load Allowance: 15,000 lb

Air Transportability: Phase II, unladen

EQUIPMENT OPTIONS

Kits: Winterization, Personnel Heater,
Electric or Air Brake, Hard Top, Thermal
Barrier, Slave, Hot Water Personnel Heater,
Front Lifting, Alternator Conversion,
Stabilizer, Windshield Washer, Fire
Extinguisher, Tachograph, Seat Belt
(Floating), Low Air Pressure Warning Light

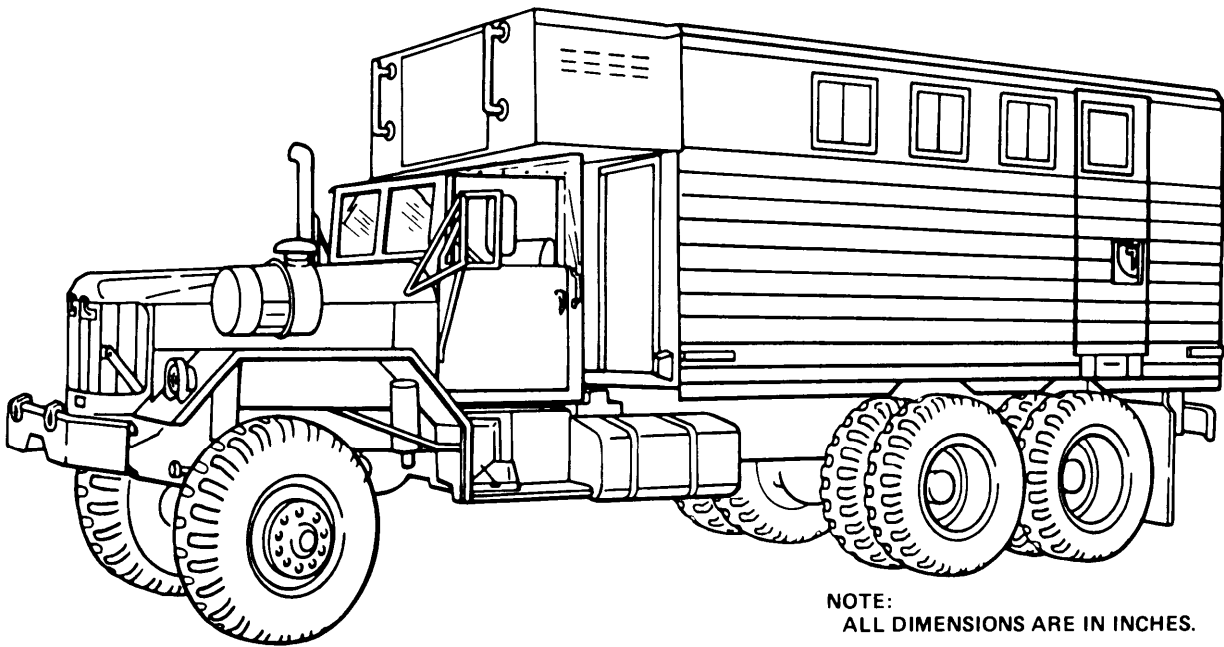
Winch: No

SHIPPING DATA

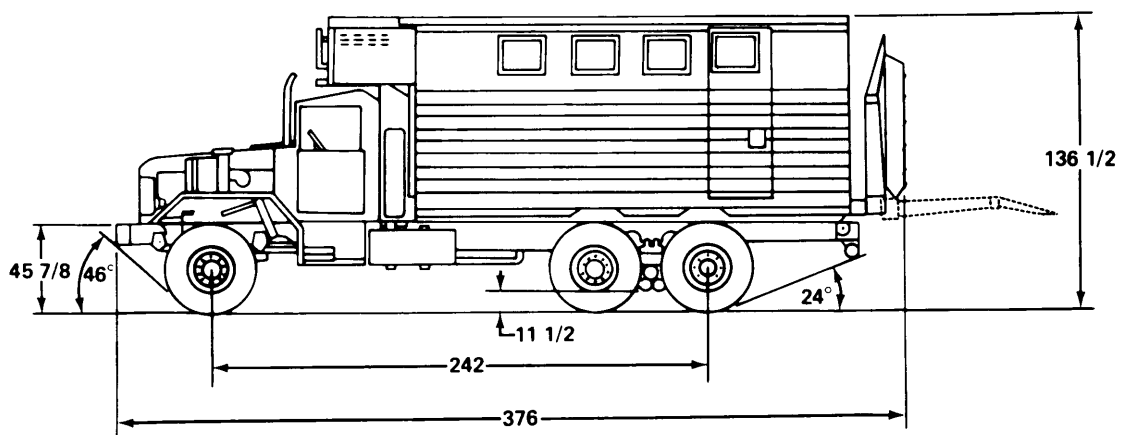
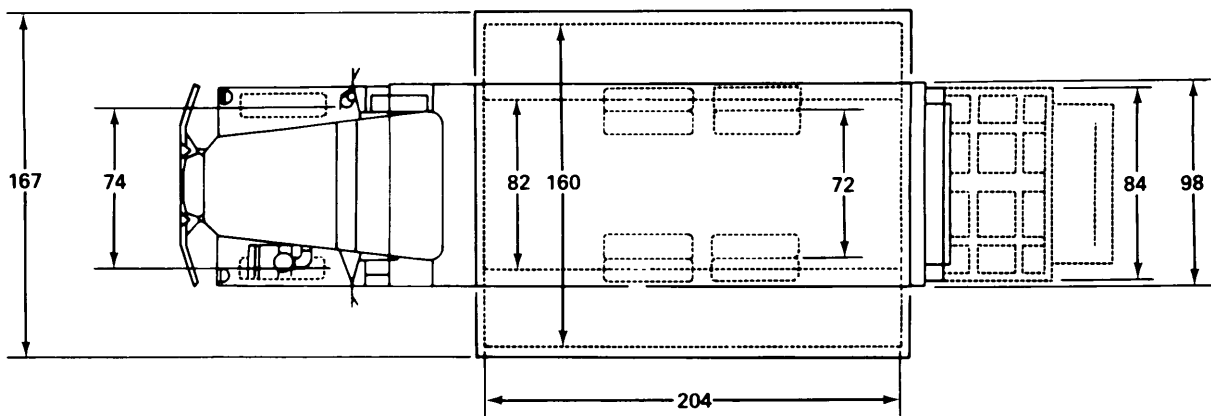
Weight: 27,506 lb

Cube: 2,780 cu ft

Ground Clearance: 11 1/2 in



NOTE:
ALL DIMENSIONS ARE IN INCHES.



TA208583

PURPOSE: To provide a mobile field maintenance facility.

GENERAL INFORMATION

Nomenclature: TRUCK, VAN: 5-Ton,
6x6, Expansible, W/Hydraulic Lift
Gate, WO/Winch, W/E
Model Number: M820A2

Crew/Cab Capacity: 2

NSN: 2320-00-050-9010

LIN: X62271

SSN: D140080

TM: 9-2320-260-Series

CHARACTERISTICS

Horsepower: 225 bhp @ 2,100 rpm

Transmission: Manual; 5 Fwd, 1 Rev

Electrical System: 24 Volt

Tires: 11:00 x 20, 12-ply

Brakes: Air over hydraulic

Blackout Lights: Yes

PERFORMANCE DATA

Fording:

W/Kit: 78 in

WO/Kit: 30 in

Approach Angle: 46 Degrees

VEHICLE DATA

Type Classification & Date: Std A, 1971

Replaces: M291A1D

Life Expectancy: 20 Years

Payload: 5,000 lb

Towed Load Allowance: 15,000 lb

Air Transportability: Phase II, unladen

EQUIPMENT OPTIONS

Kits: Winterization, Personnel Heater,
Electric or Air Brake, Hard Top, Thermal
Barrier, Slave, Hot Water Personnel Heater,
Front Lifting, Alternator Conversion,
Stabilizer, Windshield Washer, Fire
Extinguisher, Tachograph, Seat Belt
(Floating), Low Air Pressure Warning Light

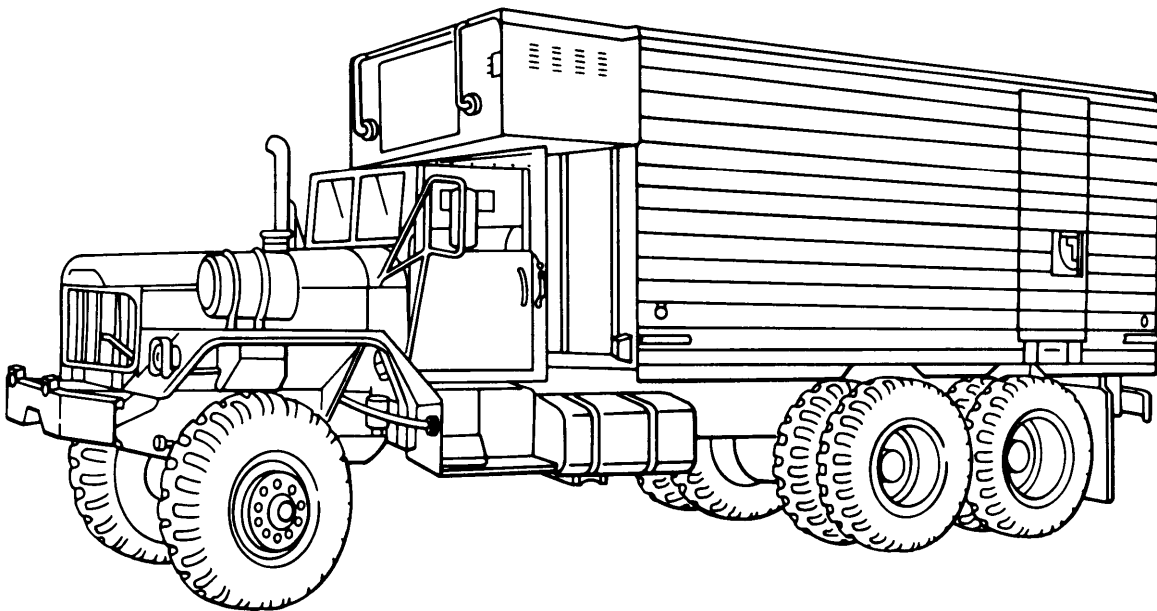
Winch: No

SHIPPING DATA

Weight: 29,256 lb

Cube: 2,906 cu ft

Ground Clearance: 11 1/2 in



HEIGHT -136 1/2
LENGTH -360
WIDTH -97 1/2

NOTE:
ALL DIMENSIONS ARE IN INCHES.

TA209205

PURPOSE: To provide a mobile field maintenance facility.

GENERAL INFORMATION

Nomenclature: TRUCK, VAN: 5-Ton,
6x6, Expansible, WO/Winch

Model Number: M820A1

Crew/Cab Capacity: 2

NSN: 2320-00-050-9007

LIN:

SSN: D140080

TM: 9-2320-260-Series

CHARACTERISTICS

Horsepower: 225 bhp @ 2,100 rpm

Transmission: Manual; 5 fwd, 1 rev

Electrical System: 24 Volt

Tires: 11:00 x 20

Brakes: Air over hydraulic

Blackout Lights: Yes

PERFORMANCE DATA

Fording:

W/Kit: 78 in

WO/Kit: 30 in

Approach Angle: 46 Degrees

VEHICLE DATA

Type Classification & Date:

Replaces:

Life Expectancy: 20 Years

Payload: 5,000 lb

Towed Load Allowance: 15,000 lb

Air Transportability: Phase II

EQUIPMENT OPTIONS

Kits: Winterization, Personnel Heater,
Slave, Hot Water Personnel Heater, Air or
Electric Brake, Thermal Barrier, Hard Top,
Front Lifting, Alternator Conversion,
Stabilizer, Windshield Washer, Fire
Extinguisher, Tachograph, Seat Belt
(Floating), Low Air Pressure Warning Light

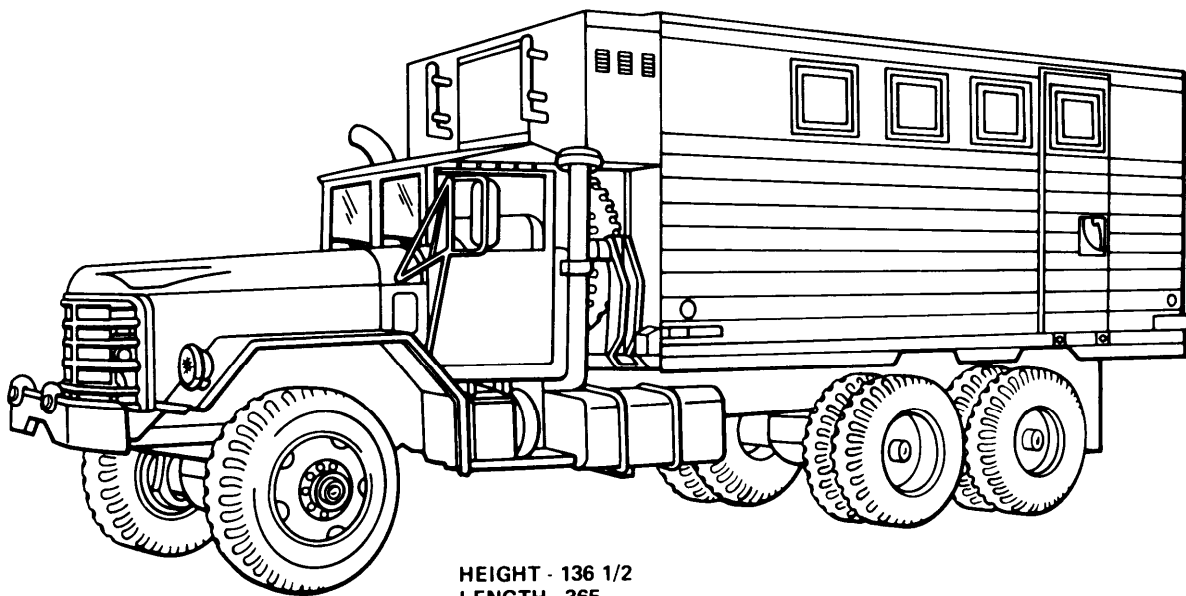
Winch: No

SHIPPING DATA

Weight: 27,206 lb

Cube: 2,780 cu ft

Ground Clearance: 10518 in



HEIGHT - 136 1/2
LENGTH - 365
WIDTH - 98

NOTE:
ALL DIMENSIONS ARE IN INCHES.

TA208725

PURPOSE: To transport electronic base stations into the field; to serve as communications stations or electronic repair stations.

GENERAL INFORMATION

Nomenclature: TRUCK, VAN: 5-Ton,
6x6, Expansible, WO/Winch

Model Number: M934

Crew/Cab Capacity: 3

NSN: 2320-01-047-8750

LIN: X62237

SSN: D140080

TM: 9-2320-272-Series

CHARACTERISTICS

Horsepower: 240 bhp @ 2,100 rpm

Transmission: Automatic; 5 Fwd, 1 Rev

Electrical System: 24 Volt

Tires: 11:00 x 20, 12-ply

Brakes: Air/Hydraulic

Blackout Lights: Yes

PERFORMANCE DATA

Fording:

W/Kit: 78 in

WO/Kit: 30 in

Approach Angle: 46 Degrees

Maximum Speed: 54 mph

Range: 300 miles

VEHICLE DATA

Type Classification & Date: Std A, 1979

Replaces: M820

Life Expectancy: 20 Years

Payload: 5,000 lb

Towed Load Allowance: 15,000 lb

Air Transportability: Phase III

EQUIPMENT OPTIONS

Kits: 100 Amp Alternator, Radiator and Hood Cover, Engine Coolant Heater, Fuel Burning Heater, Chemical Alarm, Deep Water Fording, Gun Ring Mounting, Machine Gun Adapter, M13 Decontamination, Swingfire Heater

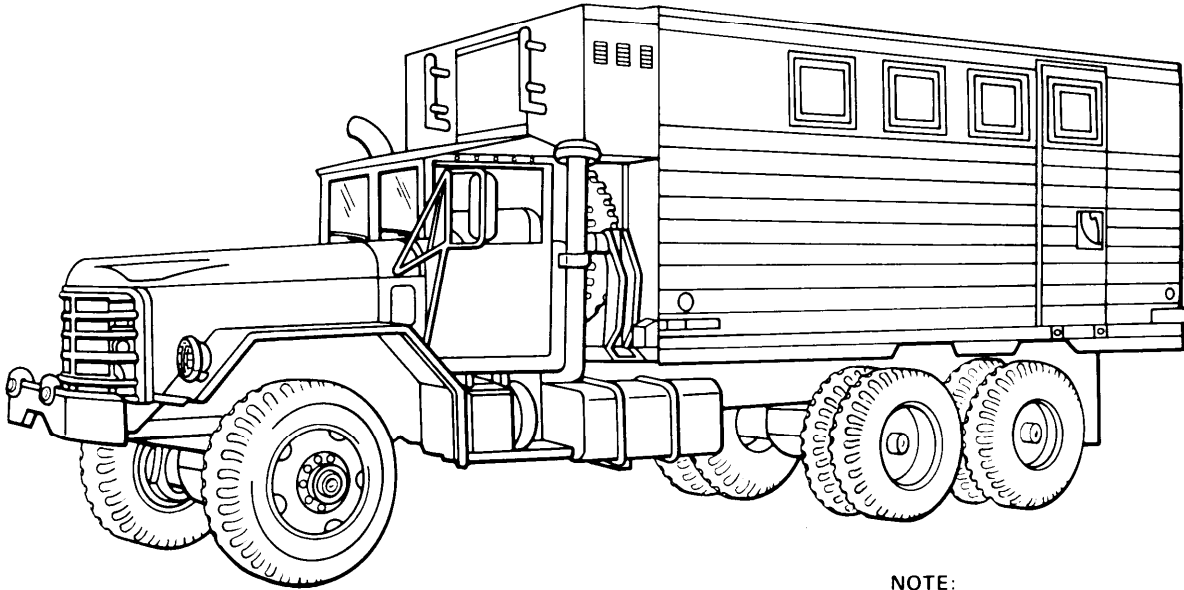
Winch: No

SHIPPING DATA

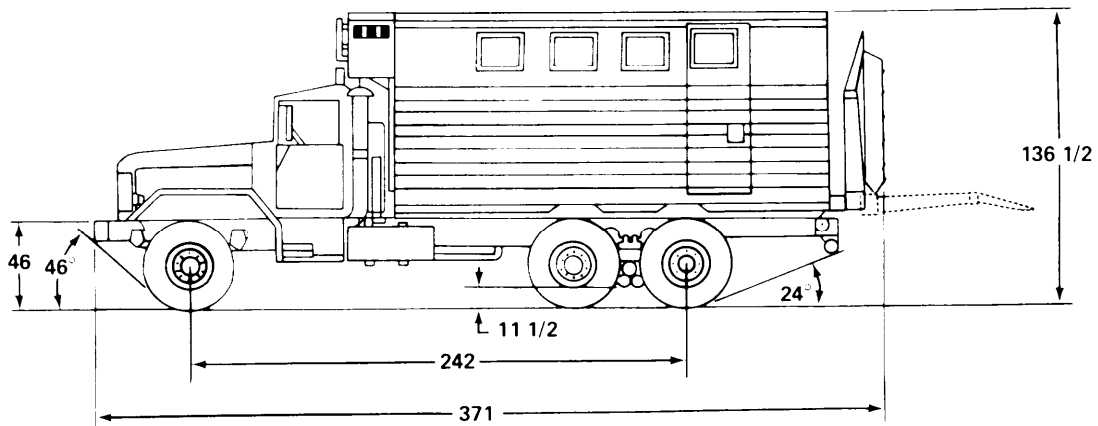
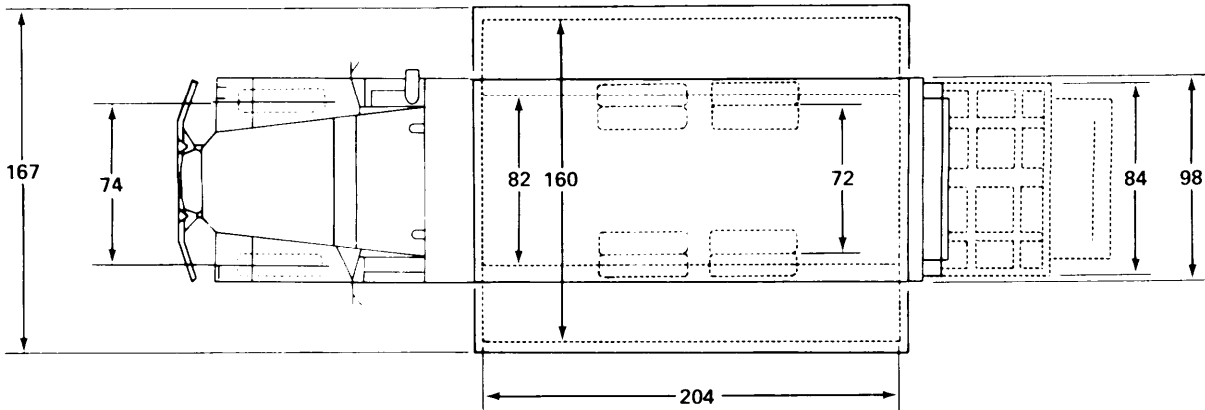
Weight: 27,520 lb

Cube: 2,722.70 cu ft

Ground Clearance: 10 1/2 in



NOTE:
ALL DIMENSIONS ARE IN INCHES.



TA209162

PURPOSE: To transport electronic base stations into the field; to serve as communications stations or electronic repair stations. Hydraulic lift gate feature enables van to transport heavier, more delicate electronic equipment than the M934 without a lift gate.

GENERAL INFORMATION

Nomenclature: TRUCK, VAN: 5-Ton,
6x6, Expansible, W/Hydraulic Lift
Gate, WO/Winch

Model Number: M935

Crew/Cab Capacity: 3

NSN: 2320-01-047-8751

LIN: X62271

SSN: D140080

TM: 9-2320-272-Series

CHARACTERISTICS

Horsepower: 240 bhp @ 2,100 rpm

Transmission: Automatic; 5 Fwd, 1 Rev

Electrical System: 24 Volt

Tires: 11:00 x 20, 12-ply

Brakes: Air/Hydraulic

Blackout Lights: Yes

PERFORMANCE DATA

Fording:

W/Kit: 78 in

WO/Kit: 30 in

Approach Angle: 46 Degrees

Maximum Speed: 54 mph

Range: 300 miles

VEHICLE DATA

Type Classification & Date: Std A, 1979

Replaces: M820A

Life Expectancy: 20 Years

Payload: 5,000 lb

Towed Load Allowance: 15,000 lb

Air Transportability: Phase III

EQUIPMENT OPTIONS

Kits: 100 Amp Alternator, Radiator and Hood
Cover, Engine Coolant Heater, Chemical
Alarm, Deep Water Fording, Gun Ring
Mounting, Machine Gun Adapter, M13
Decontamination, Swingfire Heater

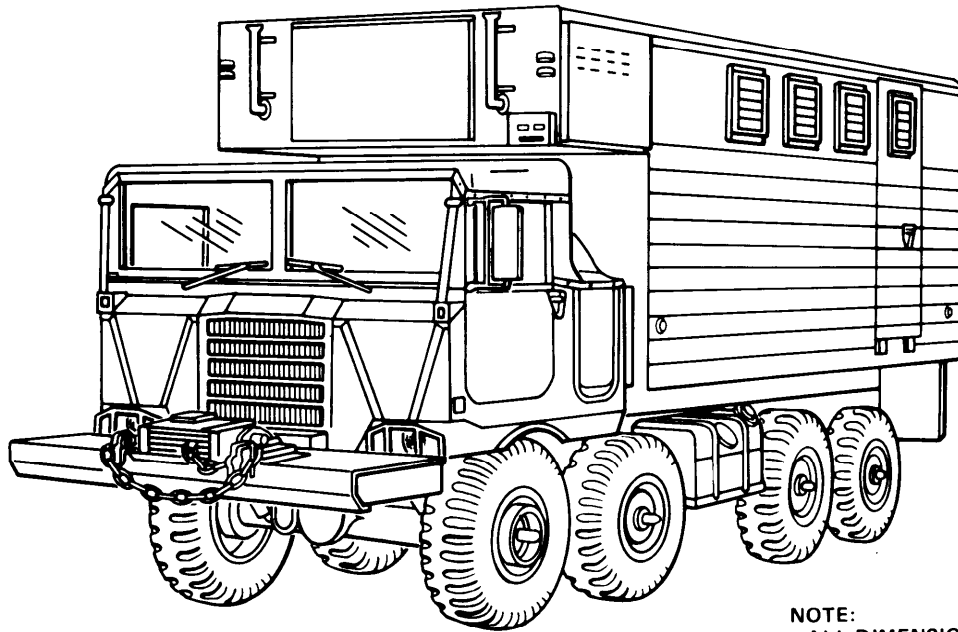
Winch: No

SHIPPING DATA

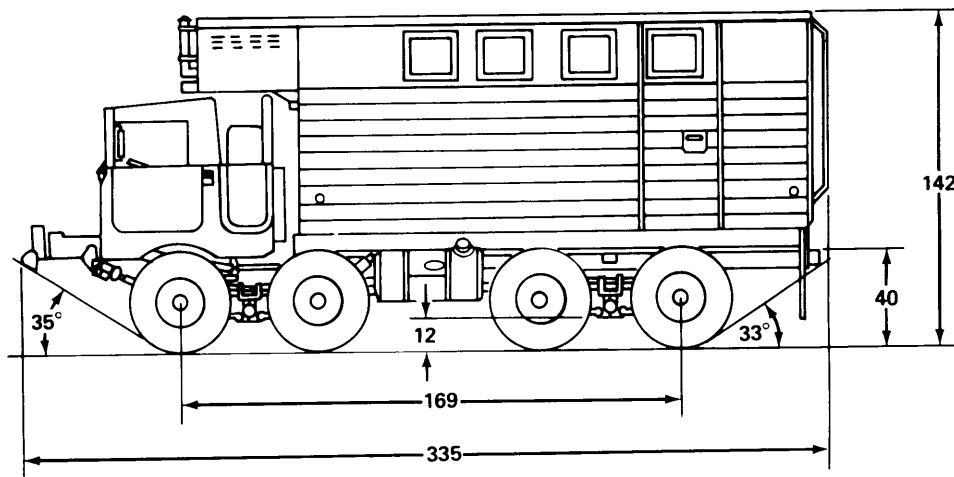
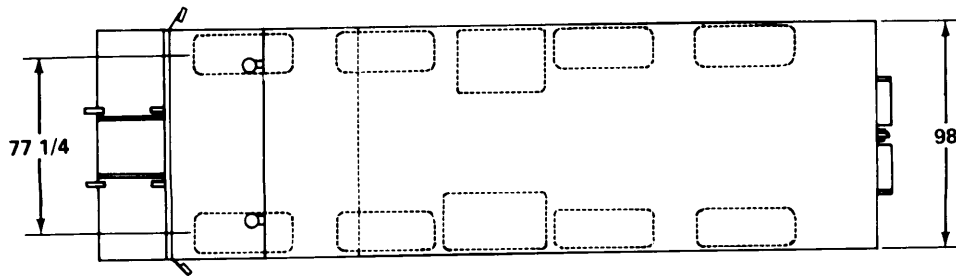
Weight: 27,520 lb

Cube: 2,857.40 cu ft

Ground Clearance: 10 1/2 in



NOTE:
ALL DIMENSIONS ARE IN INCHES.



TA208671

PURPOSE: To provide a field repair shop van facility.

GENERAL INFORMATION

Nomenclature: TRUCK, VAN: 5-Ton,
8x8, Expansible, W/Winch, W/E

Mode Number: M791

Crew/Cab Capacity: 2

NSN: 2320-00-832-5619

LIN: X62081

SSN: D172030

TM: 9-2320-230-Series

CHARACTERISTICS

Horsepower: 175 bhp @ 2,800 rpm

Transmission: Manual; 5 Fwd, 1 Rev

Electrical System: 24 Volt

Tires: 16:00 x 20, 10-ply, 1 spare

Brakes: Air

Blackout Lights: Yes

PERFORMANCE DATA

Fording:

W/Kit:

WO/Kit: 40 in

Approach Angle: 35 Degrees

VEHICLE DATA

Type Classification & Date: LP, June 68

Replaces/Replaced By:

Life Expectancy: 20 Years

Payload: 10,400 lb

Towed Load Allowance: 13,000 lb

Air Transportability: Phase II, section-
alized or Phase III

EQUIPMENT OPTIONS

Kits: Personnel Heater

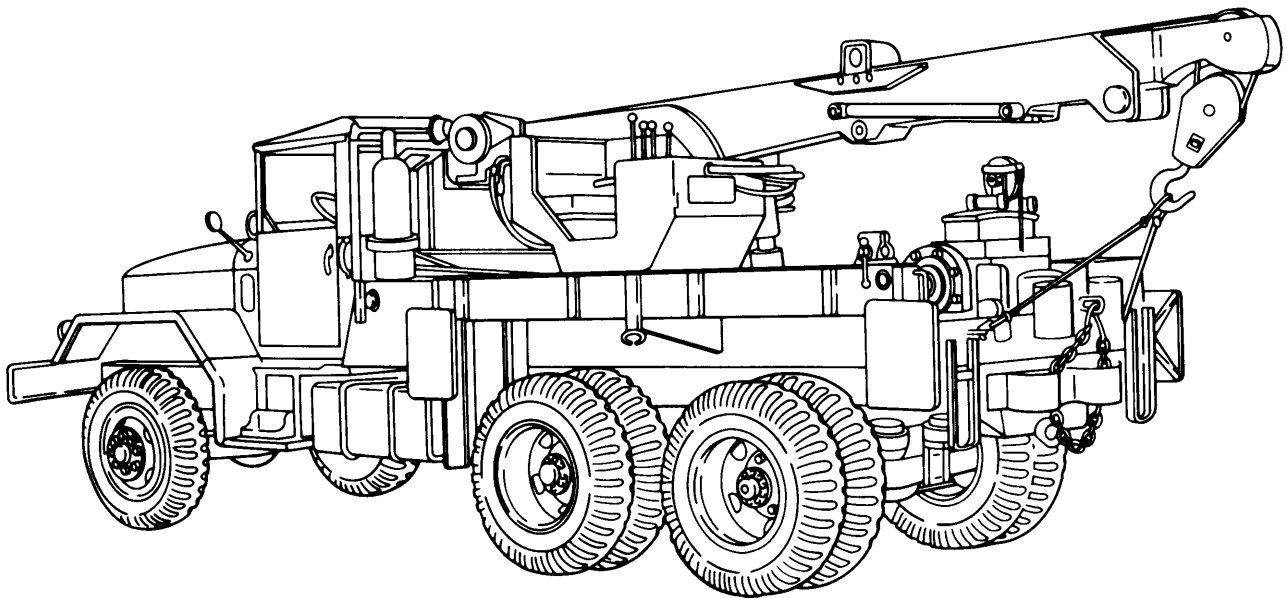
Winch: Yes

SHIPPING DATA

Weight: 25,650 lb

Cube: 2,700 cu ft

Ground Clearance: 12 in



TA208922

PURPOSE: To tow, salvage, and recover disabled vehicles and equipment, and for numerous repair operations in accordance with the safe load data plate.

GENERAL INFORMATION

Nomenclature: TRUCK, WRECKER:
5-Ton, 6x6, W/Winch, W/E

Model Number: M62

Crew/Cab Capacity: 2

NSN: 2320-00-835-8325

LIN: X63299

SSN: D140000

TM: 9-2320-211-Series

CHARACTERISTICS

Horsepower: 196 bhp @ 2,800 rpm

Transmission: Manual; 5 fwd, 1 rev

Electrical System: 24 Volts

Tires: 11:00 x 20, 12-ply

Brakes: Air over hydraulic

Blackout Lights: Yes

PERFORMANCE DATA

Fording:

W/Kit: 78 in

WO/Kit: 30 in

Approach Angle: 37 Degrees

VEHICLE DATA

Type Classification & Date: Std B,

Replaced By: M816

Life Expectancy: 20 Years

Payload: 5,000 lb

Towed Load Allowance: 15,000 lb

Air Transportability: Phase II

EQUIPMENT OPTIONS

Kits: Fording, Winterization,
Personnel Heater

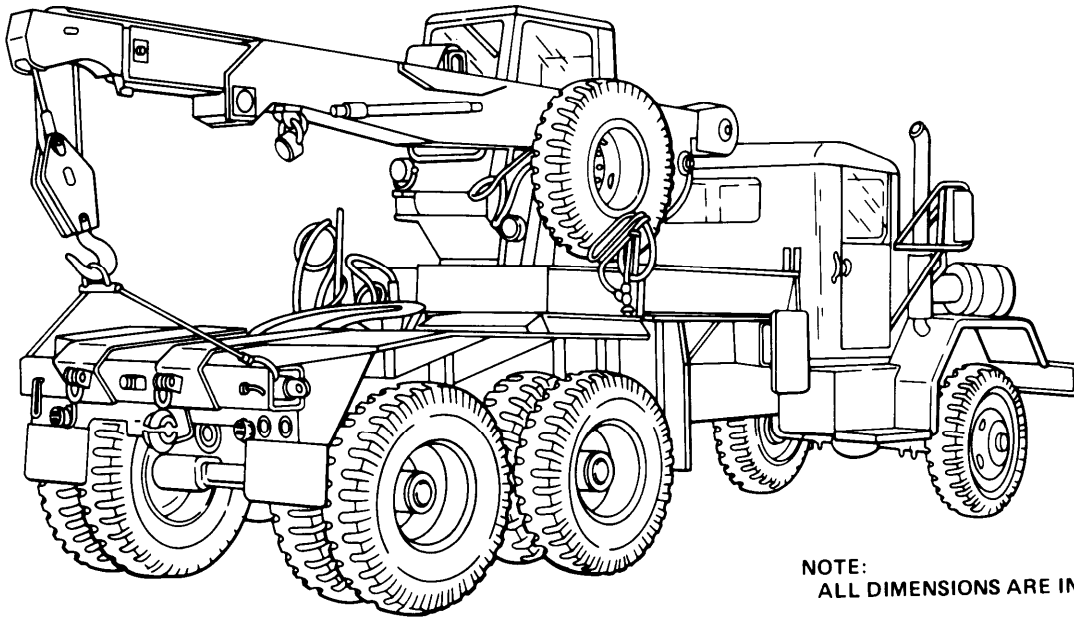
Winch: Yes

SHIPPING DATA

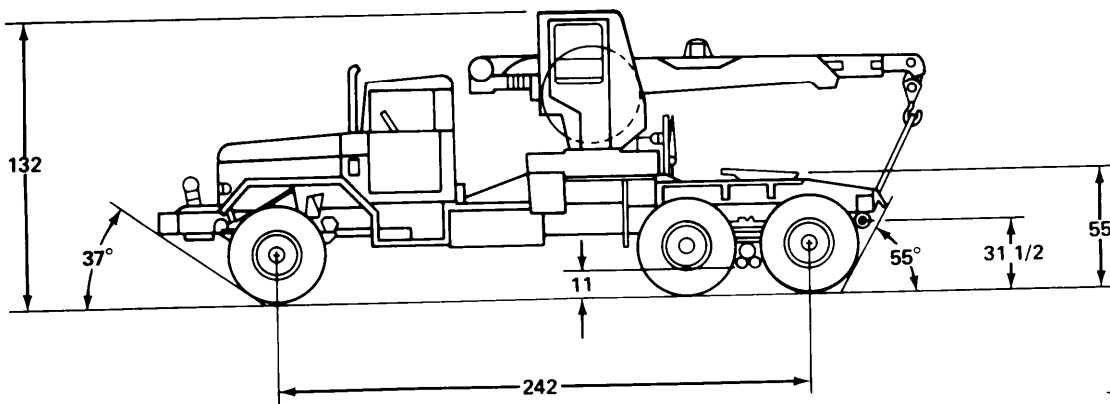
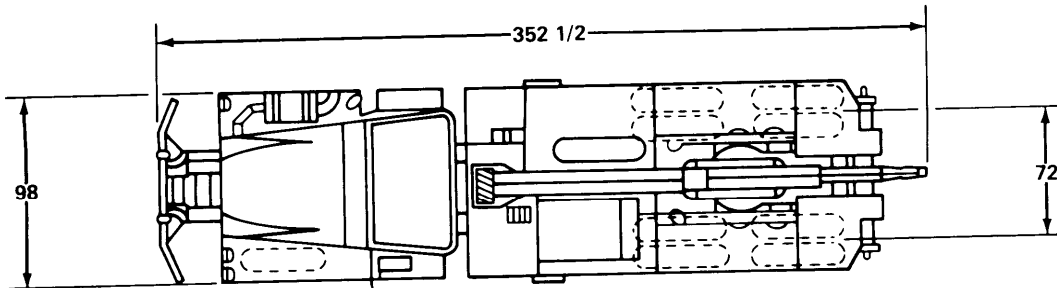
Weight: 34,039 lb

Cube: 1,780 cu ft

Ground Clearance: 10 1/2 in



NOTE:
ALL DIMENSIONS ARE IN INCHES.



TA208887

PURPOSE: To salvage crashed aircraft and perform general towing.

GENERAL INFORMATION

Nomenclature: TRACTOR, WRECKER:
5-Ton, 6x6, W/Winch, W/E

Model Number: M246A1

Crew/Cab Capacity: 2

NSN: 2320-00-695-9375

LIN: X60696

SSN: D140070

TM: 9-2320-211-Series

CHARACTERISTICS

Horsepower: 205 bhp @ 2,100 rpm

Transmission: Manual; 5 Fwd, 1 Rev

Electrical System: 24 Volt

Tires: 12:00 x 20, 12-ply

Brakes: Air over hydraulic

Blackout Lights: Yes

PERFORMANCE DATA

Fording:

W/Kit: 78 in

WO/Kit: 30 in

Approach Angle: 37 Degrees

VEHICLE DATA

Type Classification & Date: Std B, 1989

Replaces/Replaced By: M819

Life Expectancy: 20 Years

Payload: 12,000 lb

Towed Load Allowance: 20,000 lb

Air Transportability: Phase III

EQUIPMENT OPTIONS

Kits: Fording, Winterization

Winch: Yes

SHIPPING DATA

Weight: 32,801 lb

Cube: 2,630 cu ft

Ground Clearance: II in

Fifth Wheel Height: 55 in

PURPOSE: To recover disabled vehicles; change engines, power packs, gun tubes, etc; to unload/load supplies such as ammunition.

GENERAL INFORMATION

Nomenclature: TRUCK, WRECKER:
5-Ton, 6x6, W/Winch

Model Number: M543

Crew/Cab Capacity: 2

NSN: 2320-00-445-0866

LIN: X63299

SSN: D140090

TM: 9-2320-211-Series

CHARACTERISTICS

Horsepower: 196 bhp @ 2,100 rpm

Transmission: Manual; 5 Fwd, 1 Rev

Electrical System: 24 Volt

Tires: 11:00 x 20, 12-ply

Brakes: Air over hydraulic

Blackout Lights: Yes

PERFORMANCE DATA

Fording:

W/Kit: 78 in

WO/Kit: 30 in

Approach Angle: 37 Degrees

VEHICLE DATA

Type Classification & Date: Std B, 1965

Replaces: N/A

Life Expectancy: 20 Years

Payload: 7,000 lb

Towed Load Allowance: 15,000 lb

Air Transportability: Phase II

EQUIPMENT OPTIONS

Kits: Fording, Winterization,
Personnel Heaters

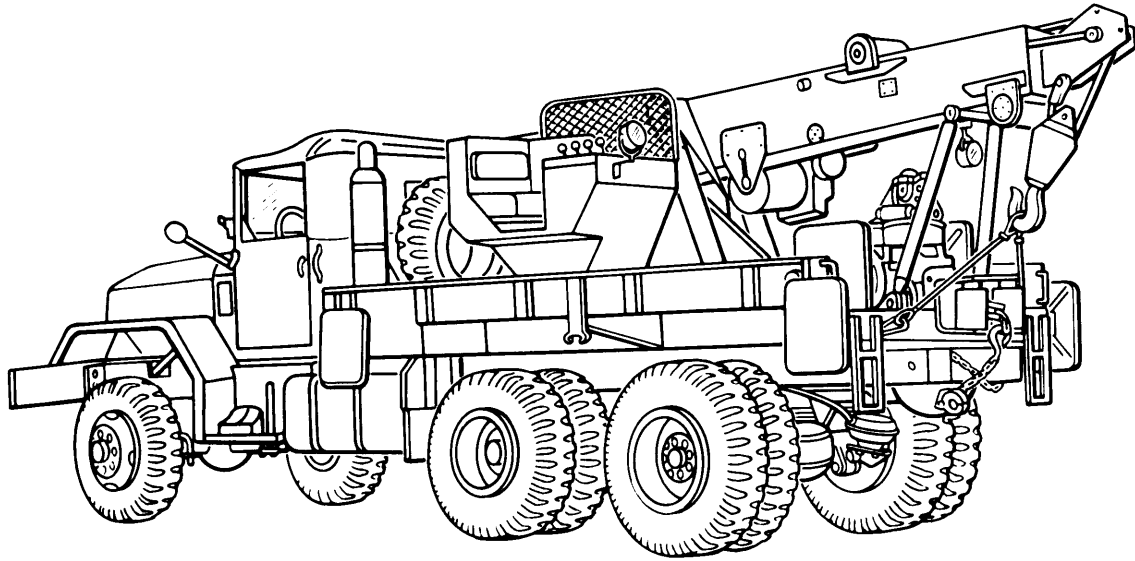
Winch: Yes

SHIPPING DATA

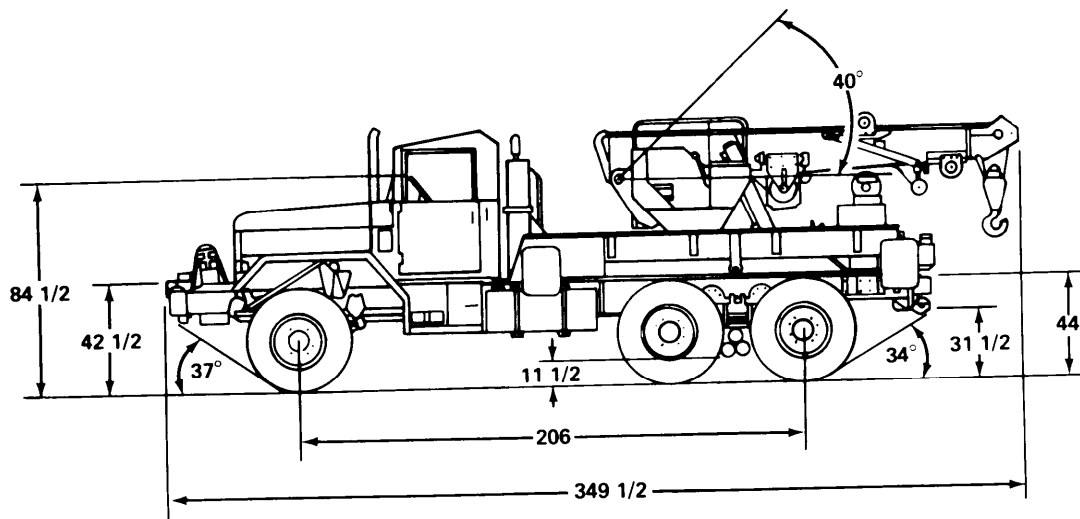
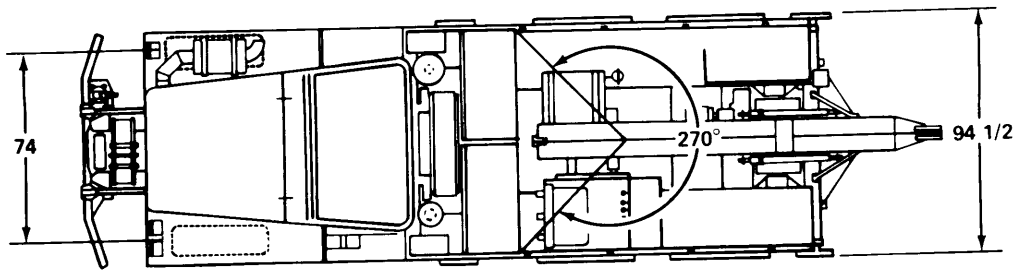
Weight: 34,440 lb

Cube: 2,257 cu ft

Ground Clearance: 11 1/2 in



NOTE:
ALL DIMENSIONS ARE IN INCHES.



TA208556

PURPOSE: Recover disabled vehicles; change engines, power packs, gun tubes, etc; load/unload supplies such as ammunition.

GENERAL INFORMATION

Nomenclature: TRUCK, WRECKER:
5-Ton, 6x6, W/Winch, W/E

Model Number: M543A1

Crew/Cab Capacity: 2

NSN: 2320-00-880-4618

LIN: X63299

SSN: D140090

TM: 9-2320-211-Series

CHARACTERISTICS

Horsepower: 205 bhp @ 2,100 rpm

Transmission: Manual; 5 fwd, 1 rev

Electrical System: 24 Volt

Tires: 11:00 x 20, 12-ply

Brakes: Air over hydraulic

Blackout Lights: Yes

PERFORMANCE DATA

Fording:

W/Kit: 78 in

WO/Kit: 30 in

Approach Angle: 37 Degrees

VEHICLE DATA

Type Classification & Date: Std B, 1969

Replaces:

Life Expectancy: 20 Years

Payload: 7,000 lb

Towed Load Allowance: 15,000 lb

Air Transportability: Phase II

EQUIPMENT OPTIONS

Kits: Fording, Winterization

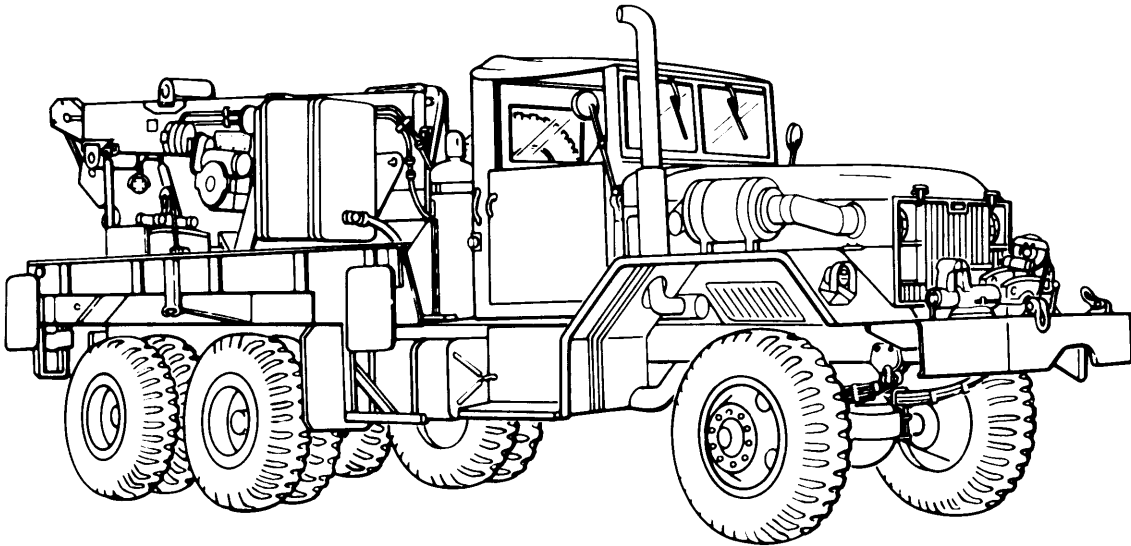
Winch: Yes

SHIPPING DATA

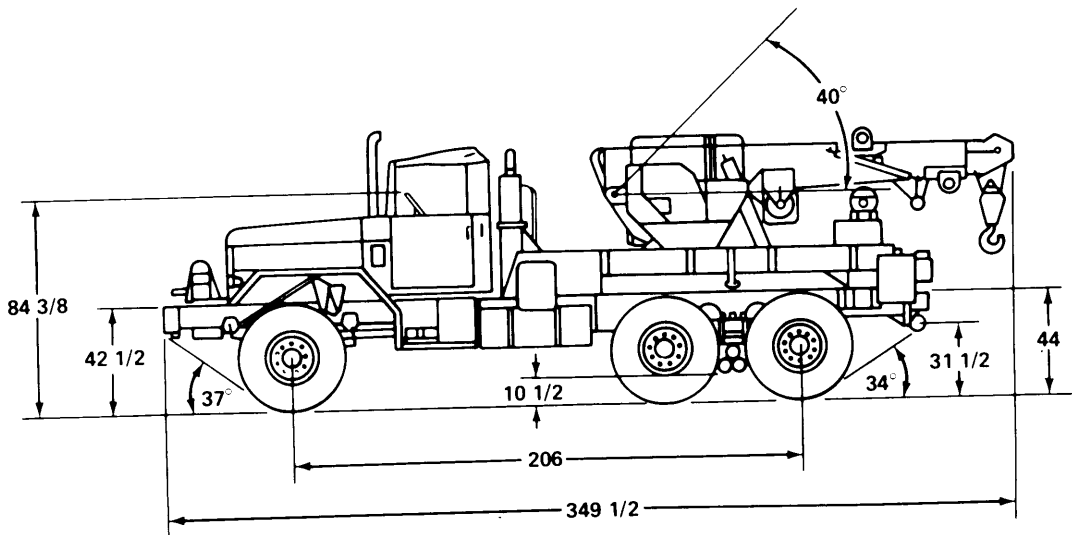
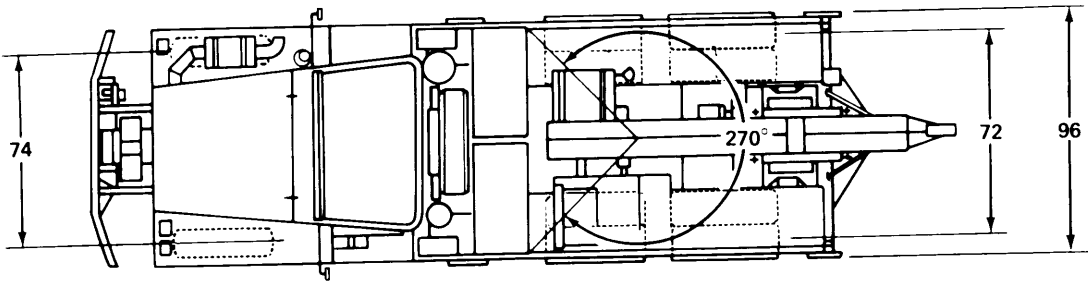
Weight: 34,880 lb

Cube: 2,257 cu ft

Ground Clearance: 11 1/2 in



NOTE:
ALL DIMENSIONS ARE IN INCHES.



TA208679

PURPOSE: To recover disabled vehicles; change engines, power packs, gun tubes, etc; to unload/load supplies such as ammunition.

GENERAL INFORMATION

Nomenclature: TRUCK, WRECKER:
5-Ton, 6x6, W/Winch, W/E

Model Number: M543A2

Crew/Cab Capacity: 2

NSN: 2320-00-055-9258

LIN: X63299

SSN: D140090

TM: 9-2320-211-Series

CHARACTERISTICS

Horsepower: 198 bhp @ 2,800 rpm

Transmission: 5 Fwd, 1 Rev

Electrical System: 24 Volt

Tires: 11:00 x 20, 12-ply

Brakes: Air over hydraulic

Blackout Lights: Yes

PERFORMANCE DATA

Fording:

W/Kit: 78 in

WO/Kit: 30 in

Approach Angle: 37 Degrees

VEHICLE DATA

Type Classification & Date: Std B, 1971

Replaced By: M816

Life Expectancy: 20 Years

Payload: 7,000 lb

Towed Load Allowance: 20,000 lb

Air Transportability: Phase II

EQUIPMENT OPTIONS

Kits: Fording, Personnel Heater, Hard Top, Winterization, Thermal Barrier, Hot Water Personnel Heater, "A" Frame, Air or Electric Brake

Winch: Yes

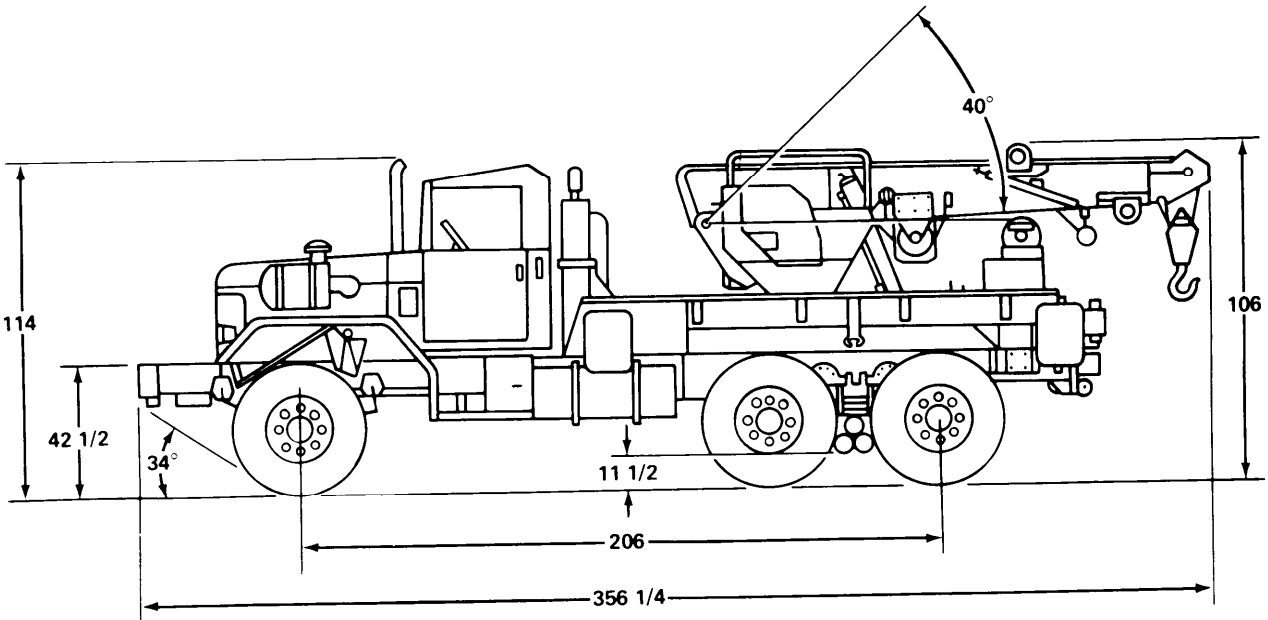
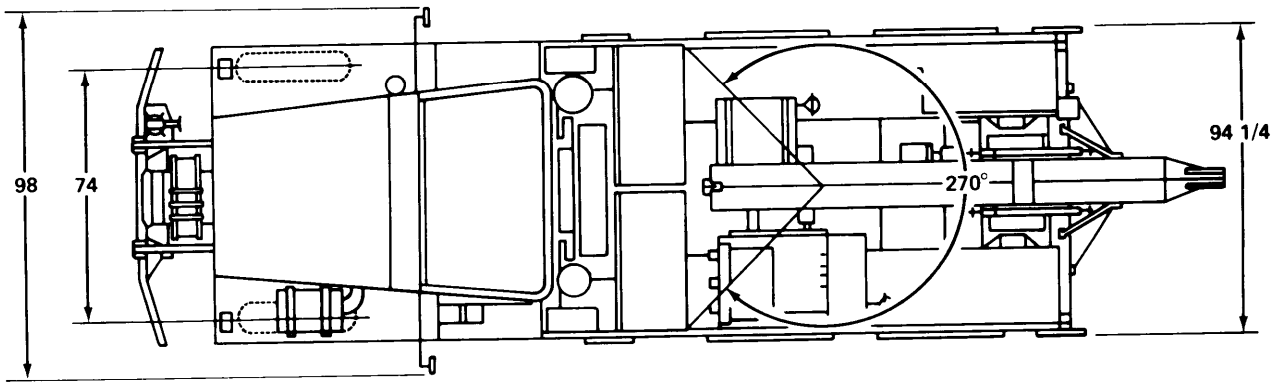
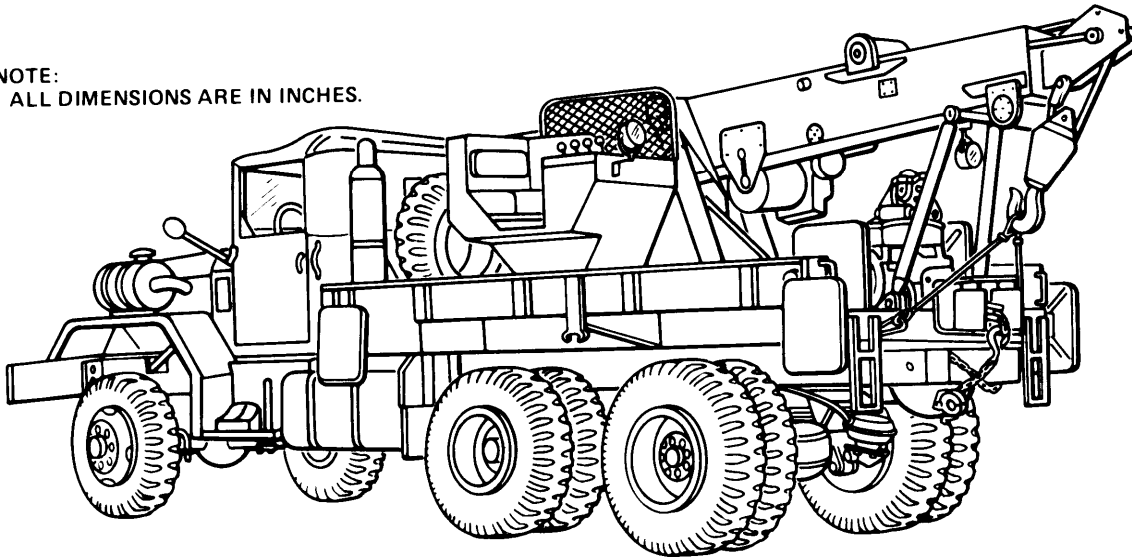
SHIPPING DATA

Weight: 34,400 lb

Cube: 2,240 cu ft

Ground Clearance: 10 1/2 in

NOTE:
ALL DIMENSIONS ARE IN INCHES.



TA208621

PURPOSE: To recover disabled vehicles; change engines, power packs, gun tubes, etc; to unload/load supplies such as ammunition.

GENERAL INFORMATION

Nomenclature: TRUCK, WRECKER:
5-Ton, 6x6, W/Winch, W/E

Model Number: M816

Crew/Cab Capacity: 2

NSN: 2320-00-051-0489

LIN: X63299

SSN: D140090

TM: 9-2320-260-Series

CHARACTERISTICS

Horsepower: 225 bhp @ 2,100 rpm

Transmission: Manual; 5 Fwd, 1 Rev

Electrical System: 24 Volt

Tires: 11:00 x 20, 12-ply

Brakes: Air over hydraulic

Blackout Lights: Yes

PERFORMANCE DATA

Fording:

W/Kit: 78 in

WO/Kit: 30 in

Approach Angle: 34 Degrees

VEHICLE DATA

Type Classification & Date: Std A, 1971

Replaces: M62, M543, A1, A2

Life Expectancy: 20 Years

Payload: 7,000 lb

Towed Load Allowance: 20,000 lb

Air Transportability: Phase II, unladen

EQUIPMENT OPTIONS

Kits: Personnel Heater, Electric or Air Brake, Fording, Winterization, Hard Top, Thermal Barrier, Hot Water Personnel Heater, Front Lifting, Slave, Alternator Conversion, Machine Gun Mounting, Windshield Washer, Fire Extinguisher, Tachograph, Seat Belts (Floating), Low Air Pressure Warning Light

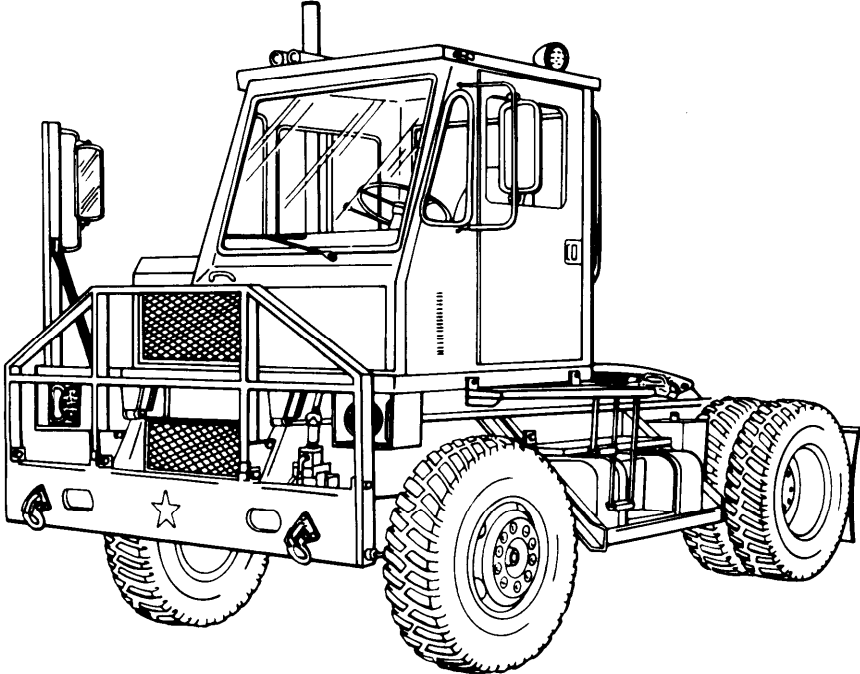
Winch: Yes

SHIPPING DATA

Weight: 36,129 lb

Cube: 2,135 cu ft

Ground Clearance: 11 1/2 in



TA208653

PURPOSE: Towing and spotting semitrailers in shipping terminals and martialling yards,

GENERAL INFORMATION

Nomenclature: TRUCK, TRACTOR,
5-Ton, 4x2, Yard Type

Model Number: M878

Crew/Cab Capacity: 1

NSN: 2320-01-044-8376

LIN: T60353

SSN: D160000

TM: CML, SOMAPPI 10-2320-277

CHARACTERISTICS

Horsepower: 210 bhp -68n 2,800 rpm

Transmission: Automatic, 5 fwd, 1 rev

Electrical System: 24 Volt Neg Grd.

Tires: 12:00 x 20, 16-ply

Brakes: Air

Blackout Lights: None

PERFORMANCE DATA

Fording:

W/Kit:

WO/Kit:

Approach Angle:

VEHICLE DATA

Type Classification & Date: Std A, 1979

Replaces: New Item

Life Expectancy: 10 Years

Payload: 28,000 lb

Towed Load Allowance: 44,480 lb

Air Transportability: Phase II

EQUIPMENT OPTIONS

Kits: None

Winch: No

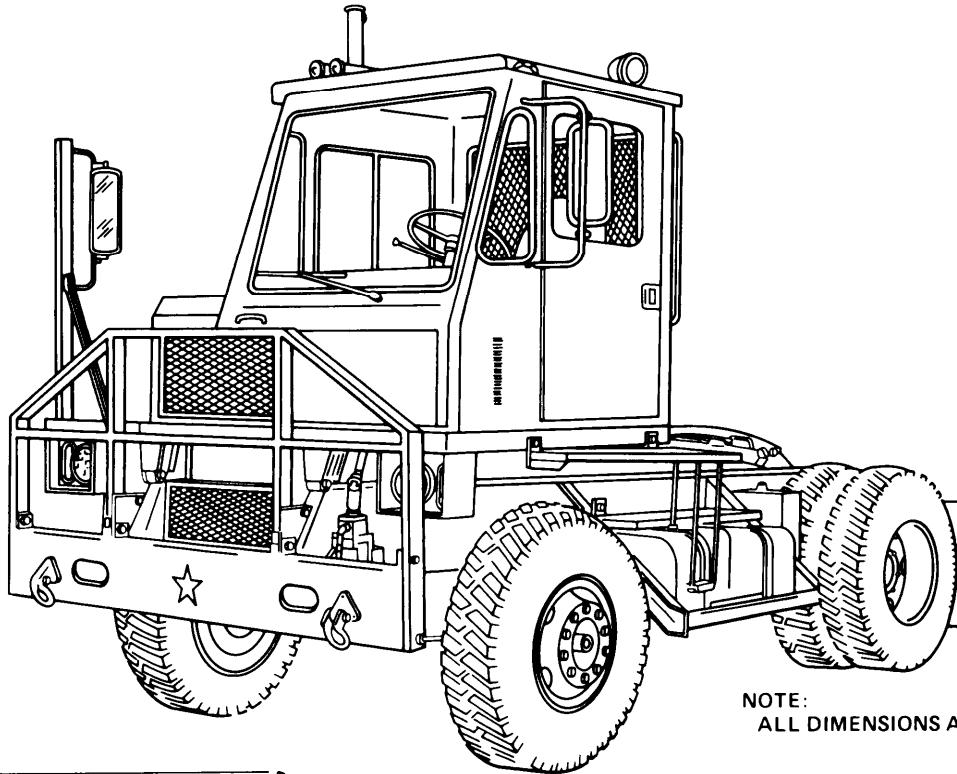
SHIPPING DATA

Weight: 16,280 lb

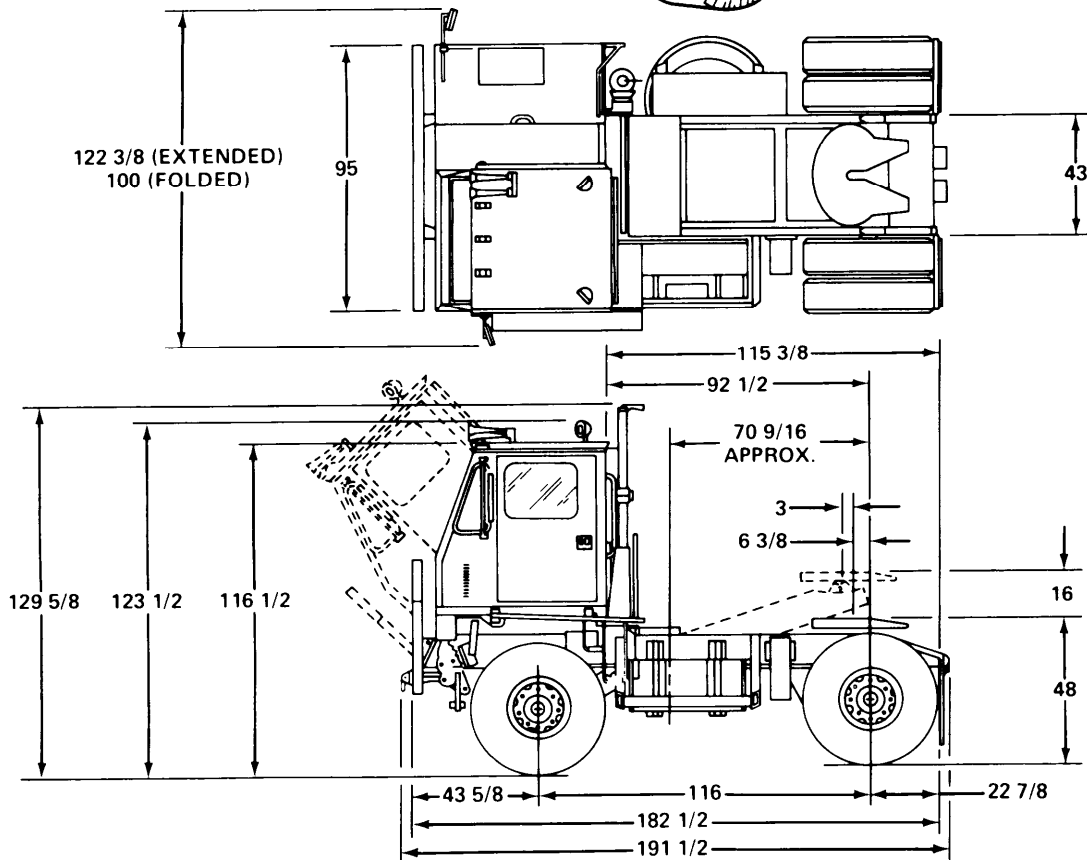
Cube: 1,279 cu ft

Ground Clearance:

Fifth Wheel Height: 49 in



NOTE:
ALL DIMENSIONS ARE IN INCHES.



TA209104

PURPOSE: Convert semitrailer to full trailer.

GENERAL INFORMATION

Nomenclature: TRUCK, TRACTOR,
5-Ton, 4x2, Yard Type

Model Number: M878A1

Crew/Cab Capacity: 1

NSN: 2320-01-121-2102

LIN: T60353

SSN: D160000

TM: CML, SOMARPI 10-2320-288

CHARACTERISTICS

Horsepower: 225 bhp @ 2,800 rpm

Transmission: Automatic, 5 fwd, 1 rev

Electrical System: 24 Volt-Neg Grd.

Tires: 12:00 x 20, 16-ply

Brakes: Air

Blackout Lights: No

PERFORMANCE DATA

Fording:

W/Kit:

VEHICLE DATA

Type Classification & Date: Std A, 1979

Replaces: New Item

Life Expectancy: 10 Years

Payload: 28,000 lb

Towed Load Allowance: 44,480 lb

Air Transportability: Phase II

EQUIPMENT OPTIONS

Kits: None

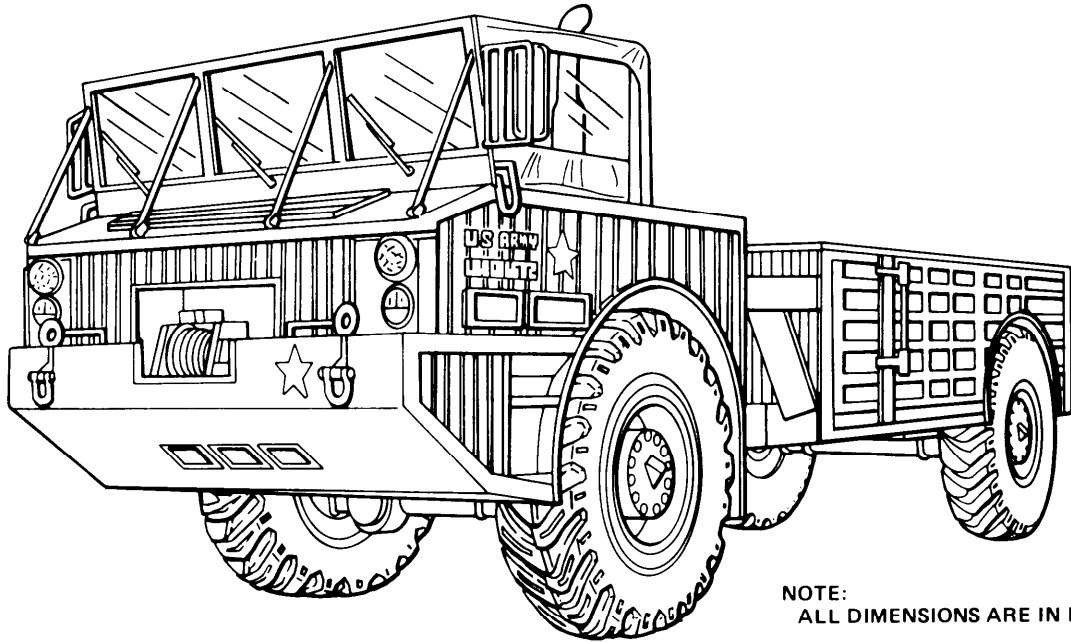
Winch: No

SHIPPING DATA

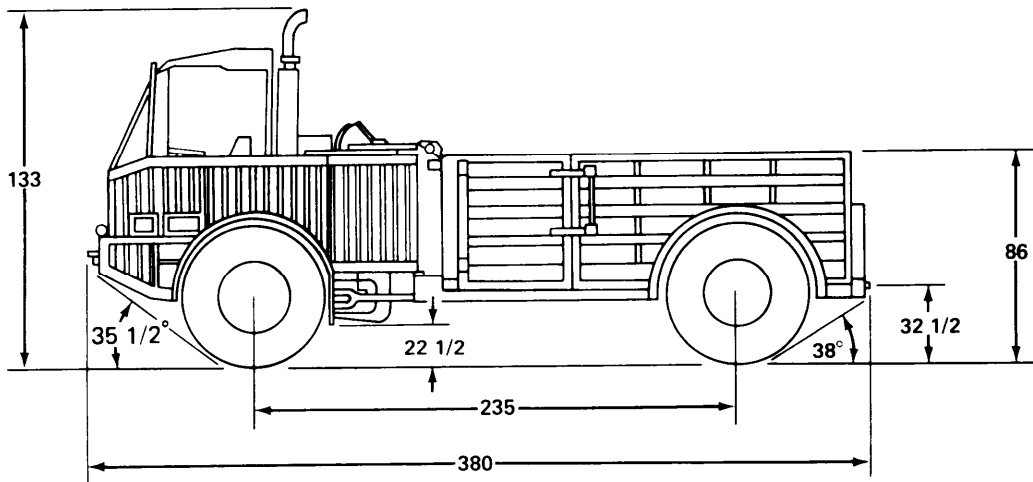
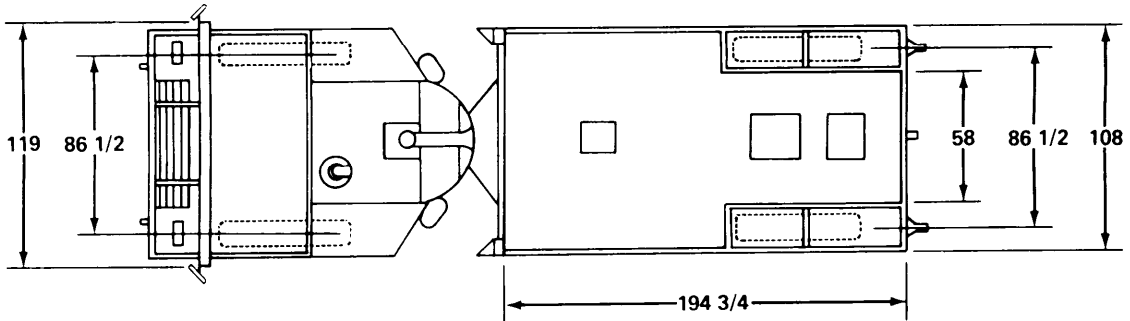
Weight: 16,280 lb

Cube: 1,279 cu ft

Fifth Wheel Height: 48 in



NOTE:
ALL DIMENSIONS ARE IN INCHES.



TA208674

PURPOSE: To provide a means of transporting military supplies and equipment on highway, off highway, and to float on or ford inland waters.

GENERAL INFORMATION

Nomenclature: TRUCK, CARGO: 8-Ton,
4x4, W/Winch

Model Number: M520

Crew/Cab Capacity: 2

NSN: 2320-00-873-5422

LIN: X41653

SSN: D162010

TM: 9-2320-233-Series

CHARACTERISTICS

Horsepower: 213 bhp @ 2,200 rpm

Transmission: Automatic; powershift

Electrical System: 24 Volt

Tires: 18:00 x 33, 10-ply

Brakes: Air

Blackout Lights: Yes

PERFORMANCE DATA

Fording:

W/Kit: Swims

WO/Kit:

Approach Angle: 35 1/2 Degrees

VEHICLE DATA

Type Classification & Date: Std A, 1966

Replaces:

Life Expectancy: 20 Years

Payload: 16,000 lb

Towed Load Allowance: 20,000 lb

Air Transportability: Phase II

EQUIPMENT OPTIONS

Kits: Personnel Heater, Arctic Cab, Trailer
Brake, Gun Ring Mounting, Infrared Filter,
Warning Light

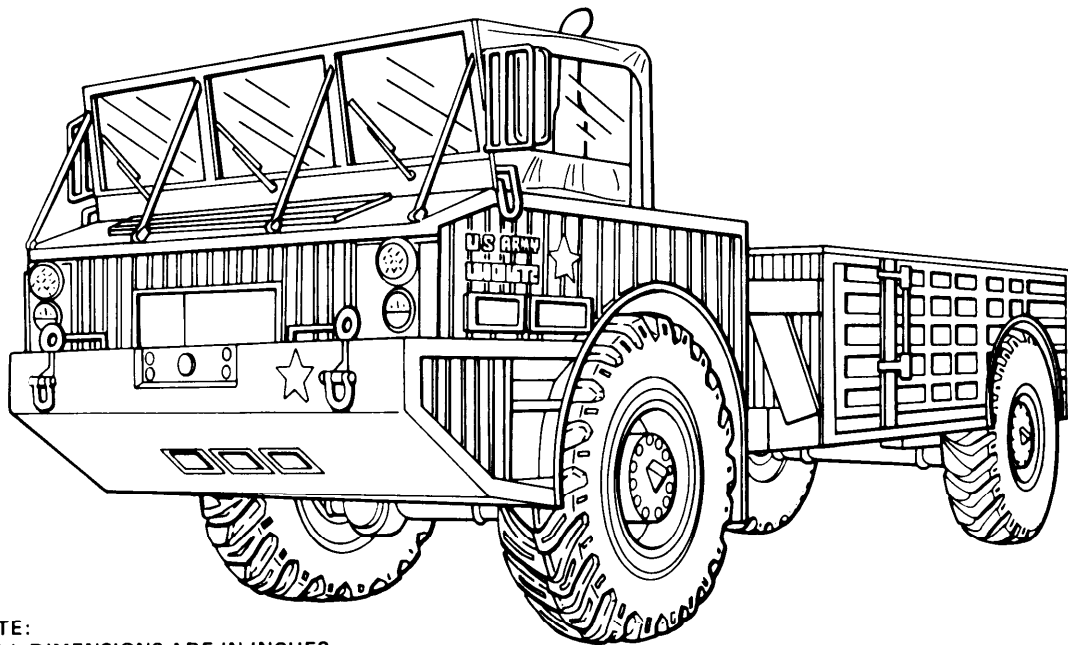
Winch: Yes

SHIPPING DATA

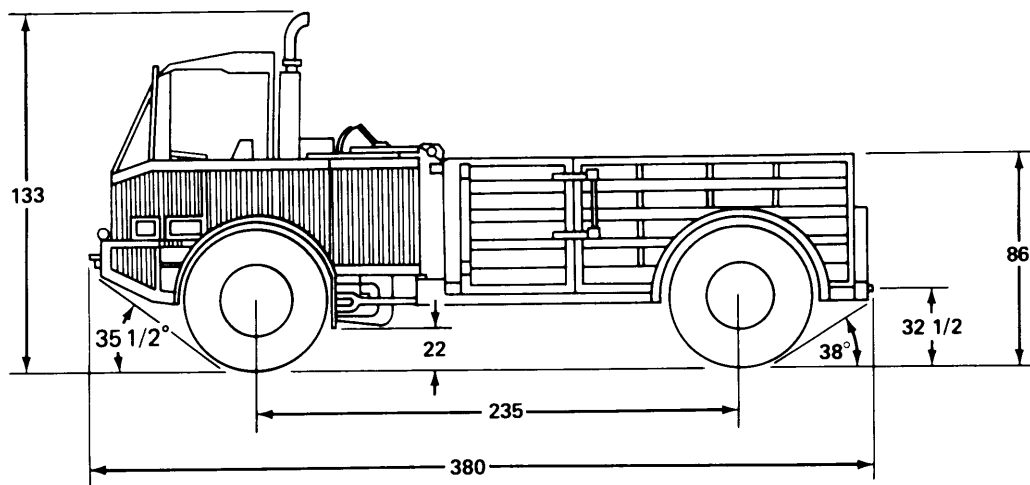
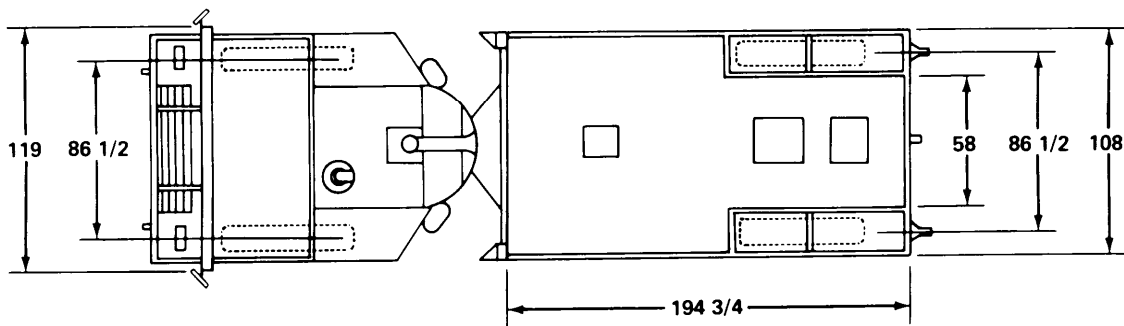
Weight: 25,430 lb

Cube: 2,287 cu ft

Ground Clearance: 22 1/2 in



NOTE:
ALL DIMENSIONS ARE IN INCHES.



TA208675

PURPOSE: To provide a means of transporting military supplies and equipment on highway, off highway, and to float on or ford inland waters.

GENERAL INFORMATION

Nomenclature: TRUCK, CARGO: 8-Ton,
4x4, WO/Winch, W/E

Model Number: M520

Crew/Cab Capacity: 2

NSN: 2320-00-191-1310

LIN: X41615

SSN: D162010

TM: 9-2320-233-Series

CHARACTERISTICS

Horsepower: 213 bhp @ 2,200 rpm

Transmission: Powershift; 6 Fwd, 1 Rev

Electrical System: 24 Volt

Tires: 18:00 x 33, 10-ply

Brakes: Air

Blackout Lights: Yes

PERFORMANCE DATA

Fording:

W/Kit: Swims

WO/Kit:

Approach Angle: 35 1/2 Degrees

VEHICLE DATA

Type Classification & Date: Std A, 1966

Replaces:

Life Expectancy: 20 Years

Payload: 16,000 lb

Towed Load Allowance: 20,000 lb

Air Transportability: Phase II

EQUIPMENT OPTIONS

Kits: Personnel Heater, Arctic Cab, Trailer
Brake, Gun Ring Mounting, Infrared Filter,
Warning Light

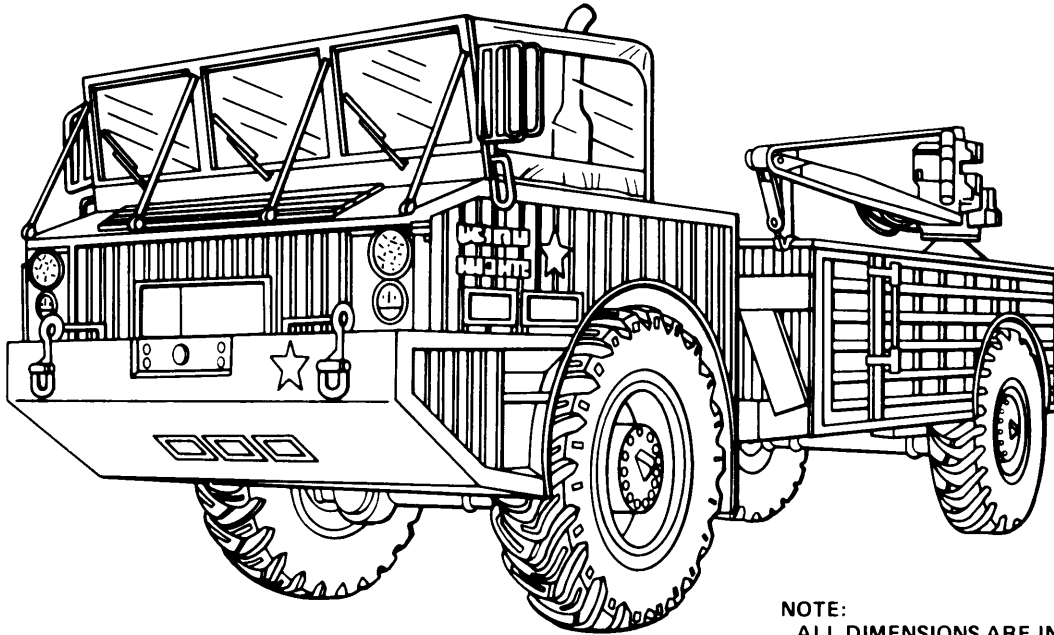
Winch: No

SHIPPING DATA

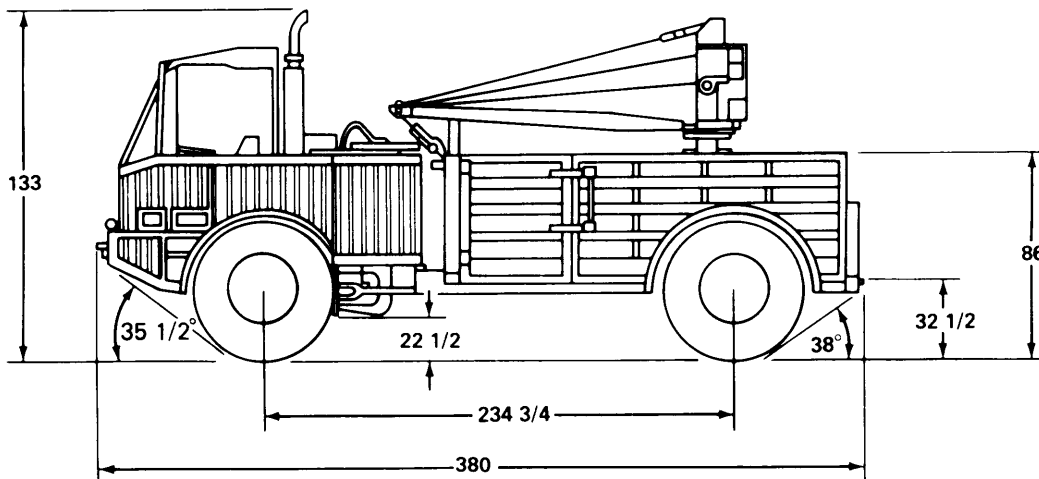
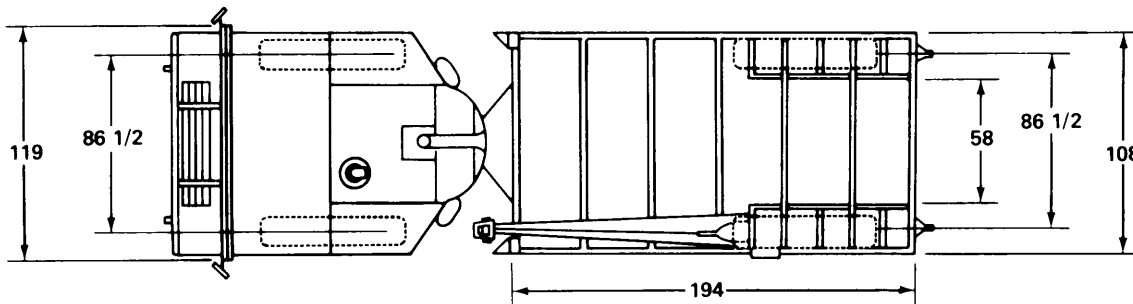
Weight: 25,430 lb

Cube: 2,287 cu ft

Ground Clearance: 22 1/2 in



NOTE:
ALL DIMENSIONS ARE IN INCHES.



TA208638

PURPOSE: To provide a tactical wheeled vehicle which gives high mobility to 8 tons of cargo.

GENERAL INFORMATION

Nomenclature: TRUCK, CARGO: 8-Ton,
4x4, W/Crane, W/Winch

Model Number: M877

Crew/Cab Capacity: 2

NSN: 2320-01-010-4956

LIN: X41635

SSN: D16201

TM: 9-2320-233-Series

CHARACTERISTICS

Horsepower: 213 bhp @ 2,200 rpm

Transmission: Powershift; 6 Fwd, 1 Rev

Electrical System: 24 Volt

Tires: 18:00 x 33, 10-ply

Brakes: Air, drum type

Blackout Lights: Yes

PERFORMANCE DATA

Fording:

W/Kit: Swims at 2.8 mph @ 2,100 rpm
in 5th gear

WO/Kit:

Approach Angle: 35 1/2 Degrees

VEHICLE DATA

Type Classification & Date: Std A, 1975

Replaces/Replaced By: New item

Life Expectancy: 20 Years

Payload: 16,000 lb

Towed Load Allowance: 20,000 lb

Air Transportability: C141 or C5A
Aircraft

EQUIPMENT OPTIONS

Kits: Personnel Heater, Winterization, Arctic
Cab, Trailer Brake, Gun Ring Mounting,
Infrared Filter, Warning Light

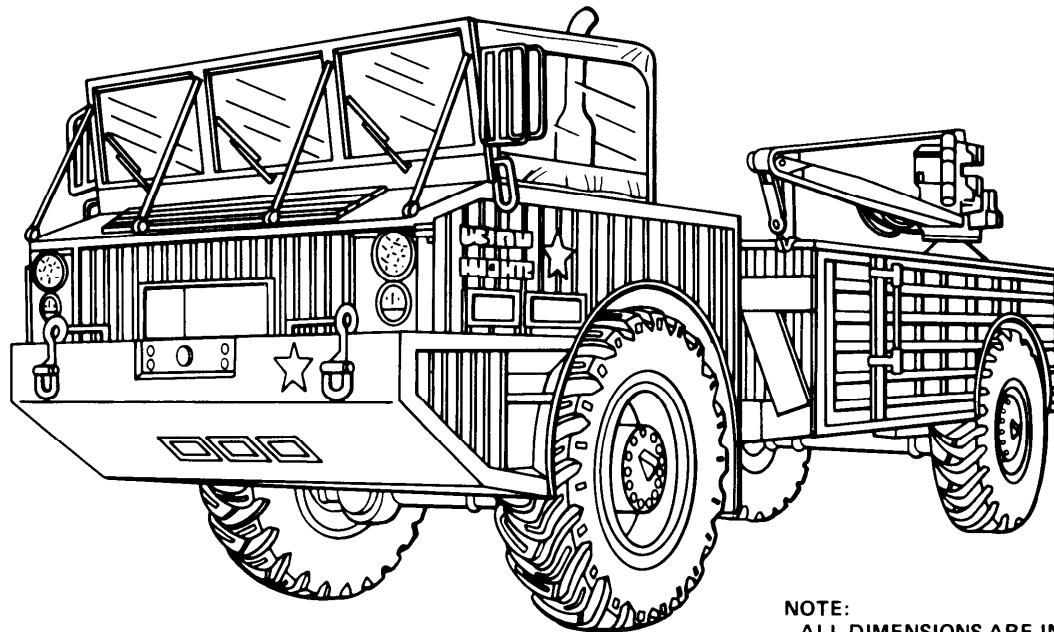
Winch: Yes

SHIPPING DATA

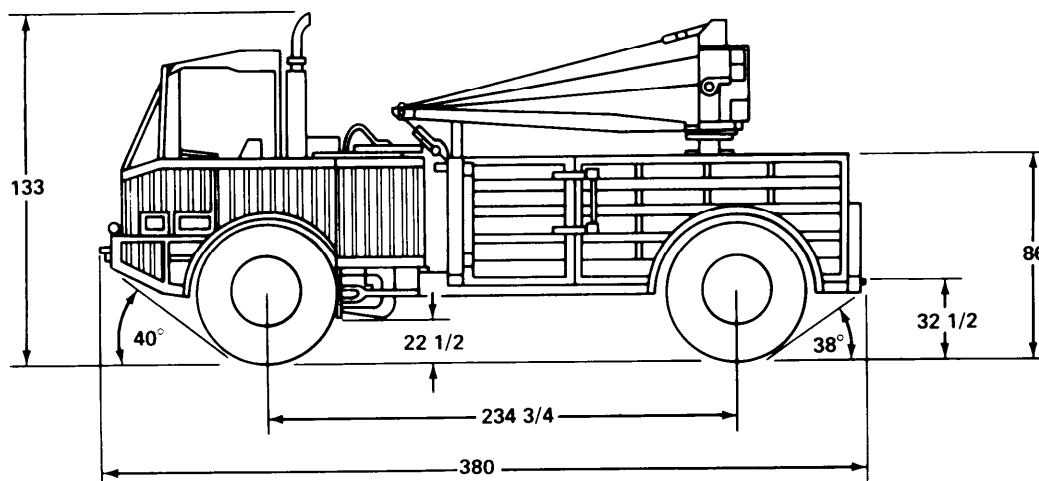
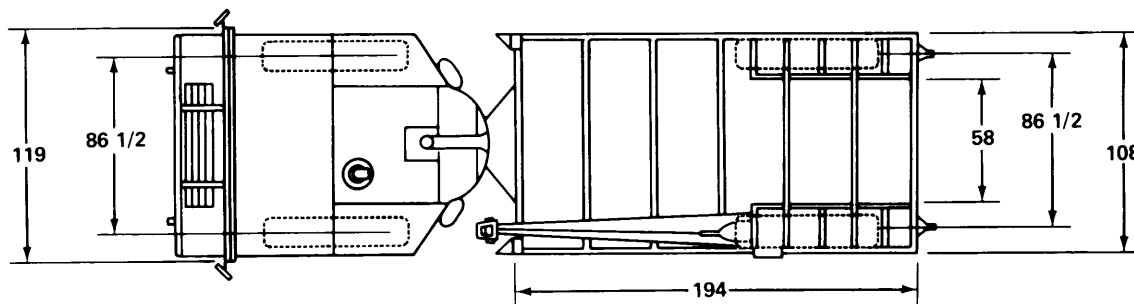
Weight: 25,430 lb

Cube: 2,287 cu ft

Ground Clearance: 22 1/2 in



NOTE:
ALL DIMENSIONS ARE IN INCHES.



TA208652

PURPOSE: To provide a tactical wheeled vehicle which gives high mobility to 8 tons of cargo.

GENERAL INFORMATION

Nomenclature: TRUCK, CARGO: 8-Ton,
4x4, W/Crane, WO/Winch

Model Number: M877

Crew/Cab Capacity: 2

NSN: 2320-01-010-4957

LIN: X41633

SSN: 016201

TM: 9-2320-233-Series

CHARACTERISTICS

Horsepower: 213 bhp @ 2,200 rpm

Transmission: Powershift; 6 Fwd, 1 Rev

Electrical System: 24 Volt

Tires: 18:00 x 33, 10-ply

Brakes: Air, drum type

Blackout Lights: Yes

PERFORMANCE DATA

Fording:

W/Kit: Swims at 2.8 mph @ 2,100 rpm
in 5th gear

WO/Kit:

Approach Angle: 40 Degrees

VEHICLE DATA

Type Classification & Date: Std A, 1976

Replaces/Replaced By: New item

Life Expectancy: 20 Years

Payload: 16,000 lb

Towed Load Allowance: 20,000 lb

Air Transportability: C141 or C5A
Aircraft, not air droppable

EQUIPMENT OPTIONS

Kits: Personnel Heater, Winterization, Arctic
Cab, Trailer Brake, Gun Ring Mounting,
Infrared Filter, Warning Light

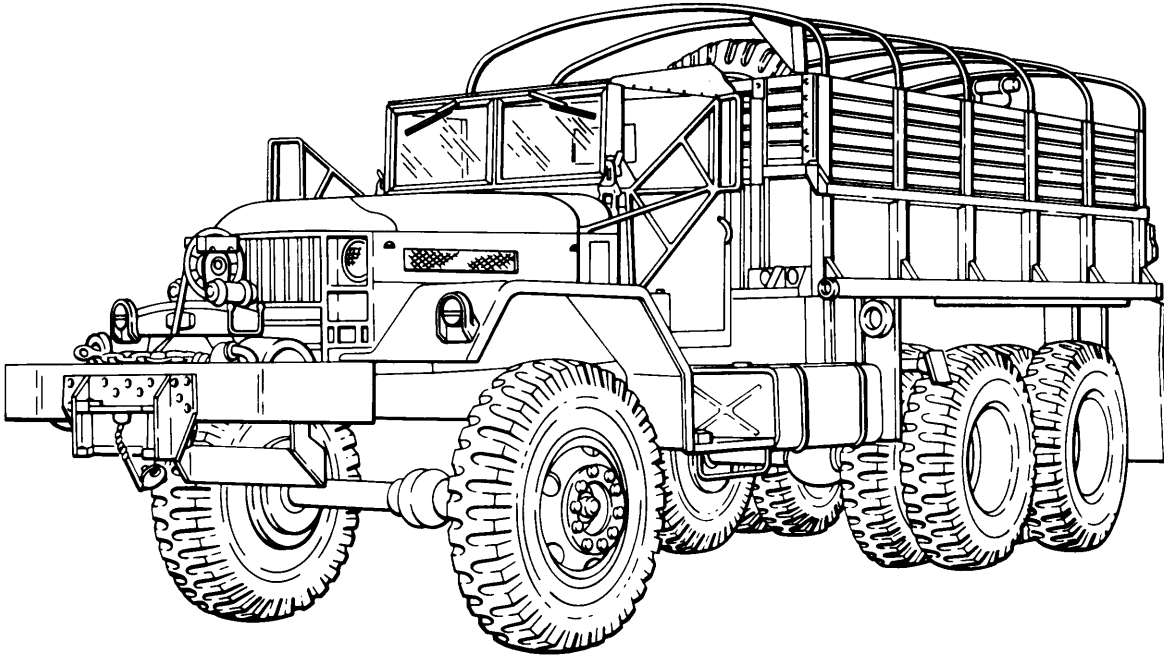
Winch: No

SHIPPING DATA

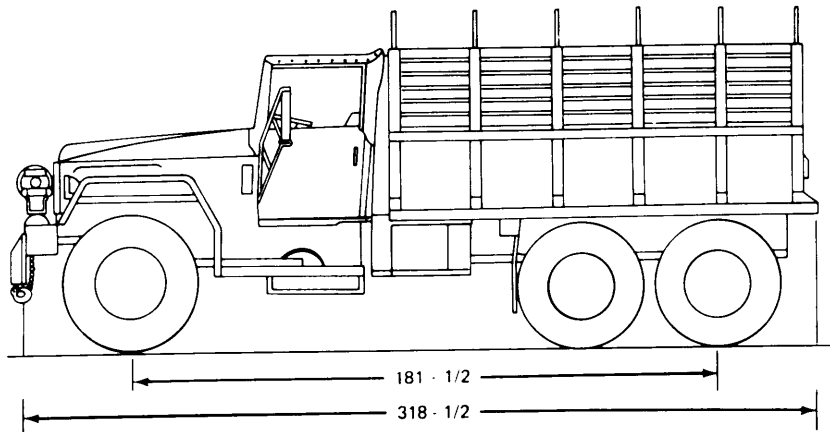
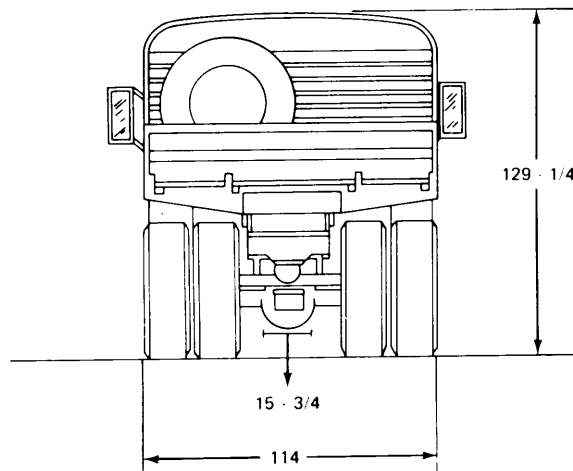
Weight: 25,430 lb

Cube: 2,287 cu ft

Ground Clearance: 22 1/2 in



NOTE: All dimensions shown
are in inches.



TA208876

PURPOSE: Primarily for use in towing the 75-mm anti-aircraft cannon, 155-mm gun or 8-in. Howitzer.

GENERAL INFORMATION

Nomenclature: TRUCK, CARGO: 10 Ton,
6x6, W/Winch, W/E

Model Number: M125

Crew/Cab Capacity: 2

NSN: 2320-00-219-7340

LIN: X41790

SSN: D121000

TM: 9-2320-206-Series

CHARACTERISTICS

Horsepower: 297 bhp @ 2,750 rpm

Transmission: Manual; 5 Fwd, 1 Rev

Electrical System: 24 Volt

Tires: 14:00 x 24, 20-ply

Brakes: Air

Blackout Lights: Yes

PERFORMANCE DATA

Fording:

W/Kit: 78 in

WO/Kit: 30 in

Approach Angle: 52 Degrees

Maximum Speed: 42 mph

Cruising Range: 300 miles (Loaded)

VEHICLE DATA

Type Classification & Date: Std B, 1965

Replaces/Replaced By:

Life Expectancy: 10 Years

Payload: 20,000 lb

Towed Load Allowance: 25,000 lb

Winch Capacity: 45,000 lb

Air Transportability: Phase III

EQUIPMENT OPTIONS

Kits: Fording, Electric Brake,
Personnel Heater, Winterization

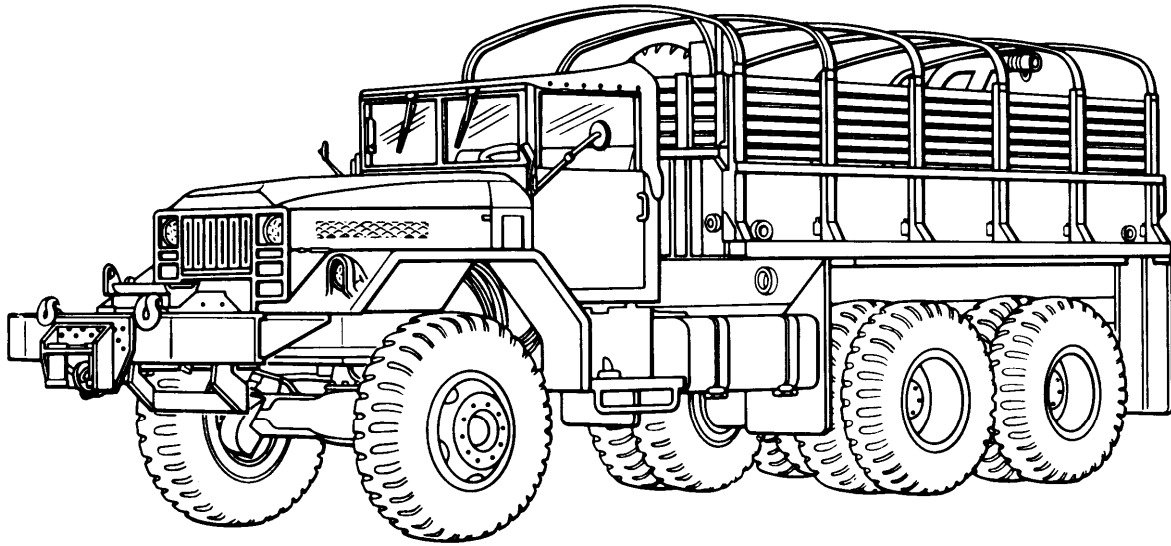
Winch: Yes

SHIPPING DATA

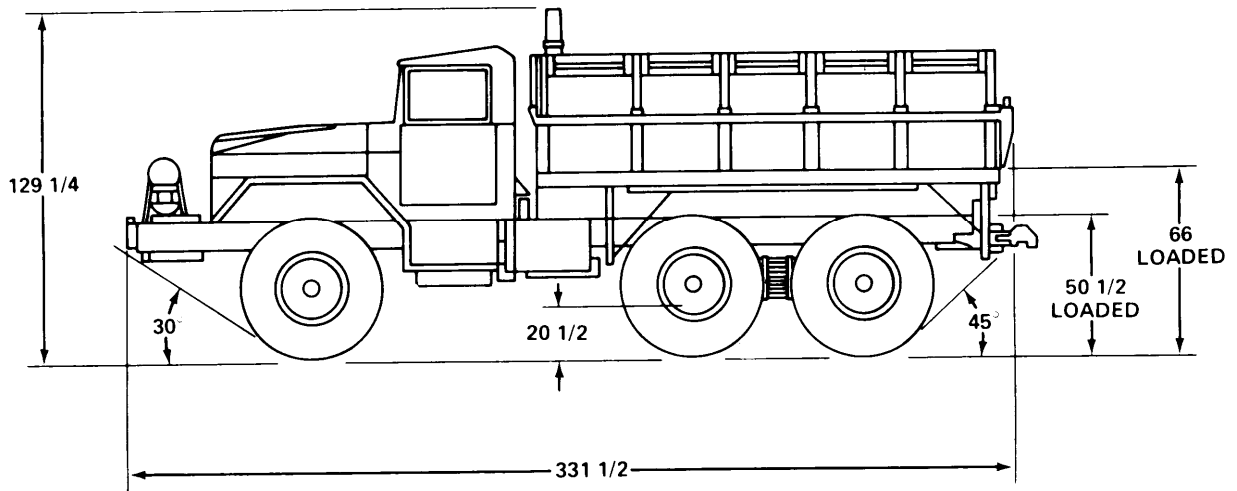
Curb Weight: 33,789 lb

Cube:

Ground Clearance: 15 3/4 in



NOTE:
ALL DIMENSIONS ARE IN INCHES.



TA208706

PURPOSE: Designed primarily to tow a 155-mm gun or an 8-inch Howitzer, and to transport general cargo.

GENERAL INFORMATION

Nomenclature: TRUCK, CARGO: 10 -Ton,
6x6, W/Winch

Model Number: M125A1

Crew/Cab Capacity: 2

NSN: 2320-00-740-0493

LIN: X41790

SSN: D196040

TM: 9-2320-206-Series

CHARACTERISTICS

Horsepower: 297 bhp @ 2,600 rpm

Transmission: Manual; 5 Fwd, 1 Rev

Electrical System: 24 Volt

Tires: 14:00 x 24, 20-ply

Brakes: Air

Blackout Lights: Yes

PERFORMANCE DATA

Fording:

W/Kit: 78 in

WO/Kit: 30 in

Approach Angle: 30 Degrees

VEHICLE DATA

Type Classification & Date: Std A, 1965

Replaces: M125

Life Expectancy: 10 Years

Payload: 20,000 lb

Towed Load Allowance: 25,000 lb

Air Transportability: Phase III

EQUIPMENT OPTIONS

Kits: Fording, Electric Brake,
Personnel Heater, Winterization

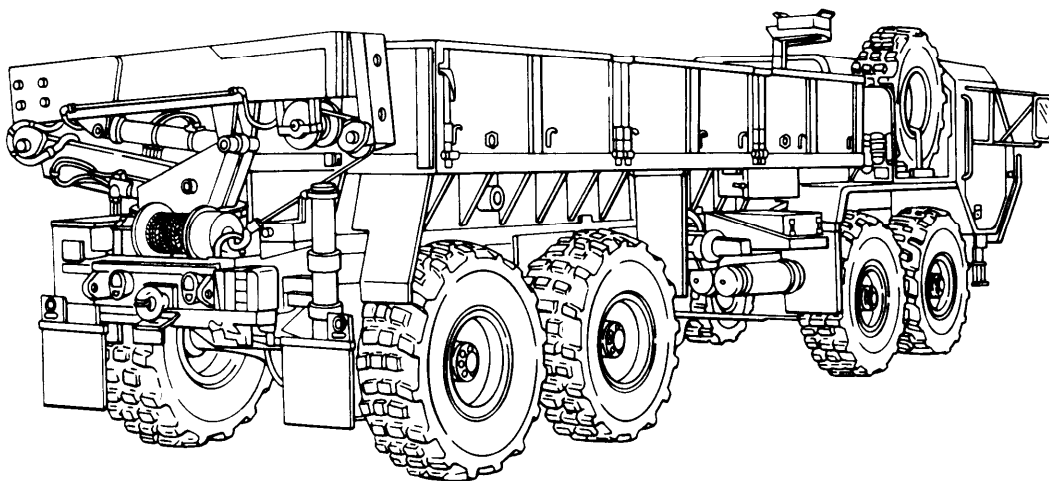
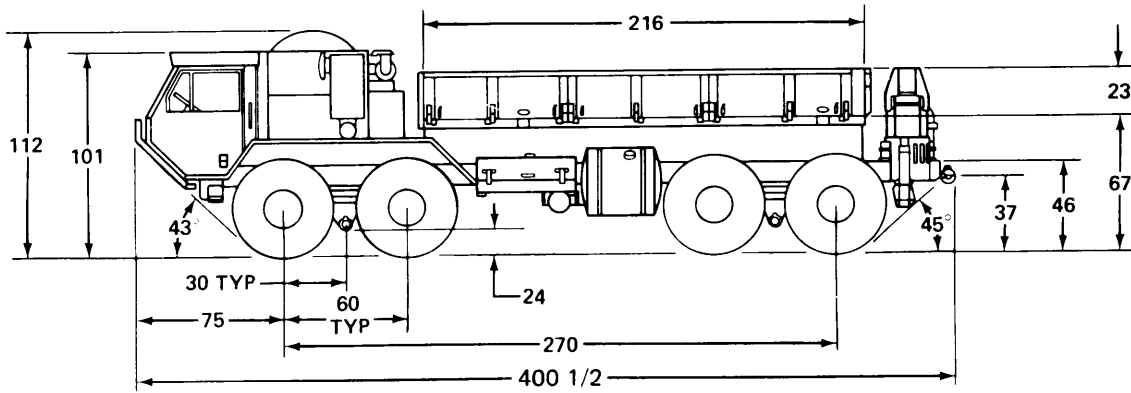
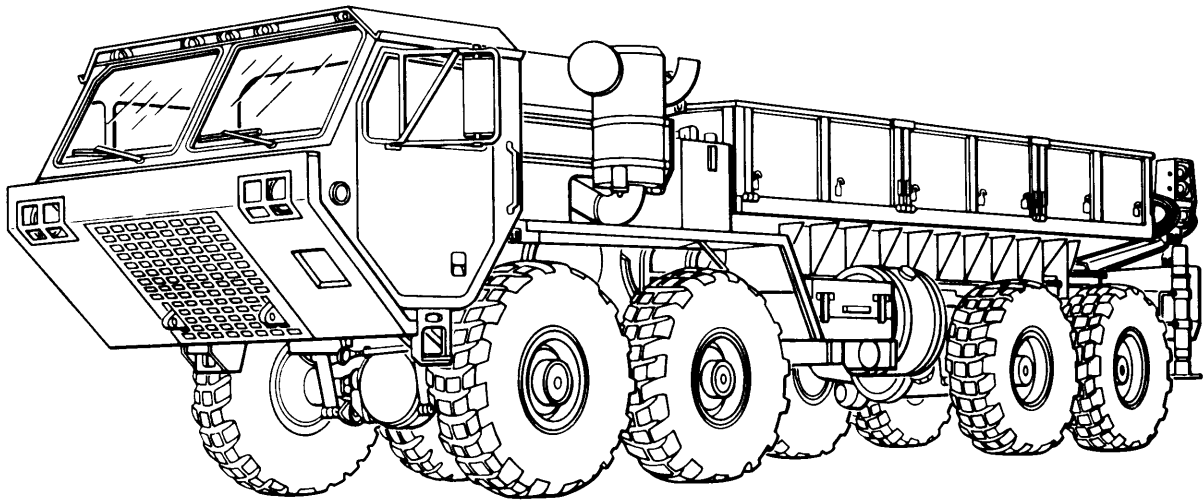
Winch: Yes

SHIPPING DATA

Weight: 31,600 lb

Cube: 2,716 cu ft

Ground Clearance: 20 1/2 in



NOTE:
ALL DIMENSIONS ARE IN INCHES.

TA208697

PURPOSE: Cargo truck with light duty material handling crane.

GENERAL INFORMATION

Nomenclature: TRUCK, CARGO: 10-Ton,
8x8, HEMTT, W/Winch

Model Number: M977

Crew/Cab Capacity: 2

NSN: 2320-01-097-0260

LIN: T39518

SSN: D162010

TM: 9-2320-279-Series, WSDC QD

CHARACTERISTICS

Horsepower: 445 bhp @ 2,100 rpm

Transmission: Automatic; Allison 740-HD

Electrical System: 24 Volt, 12 Pin

Tires: Michelin 16:00 x R20XL

Brakes: Air, 16.5 x 5F, 16.5 x 7R

Blackout Lights: Yes

PERFORMANCE DATA

Fording:

W/Kit:

WO/Kit: 48 in

Approach Angle: 43 Degrees

Departure Angle: 45 Degrees

Cruising Range: 300 miles

PERFORMANCE DATA - Continued

Maximum:

Sustained Forward Speed (at 2,100 rpm)

4th Gear: 57 mph

3rd Gear: 41 mph

2nd Gear: 28 mph

1st Gear: 15 mph

Speed on 3 Percent Grade: 40 mph

30 Percent Grade: 5 mph

Grade: 60 Percent

Side Slope W/Adequate Tractive

Surface: 30 Percent

Towed Speed (Reference FM 20-22): 15 mph

VEHICLE DATA

Type Classification & Date: Std A, 1980

Replaces/Replaced By: Augments Goer

Life Expectancy: 20 Years

Payload: 22,000 lb

Towed Load Allowance: 40,000 lb

Air Transportability: C5, C141, and C130
Aircraft

EQUIPMENT OPTIONS

Kits: Arctic, Alternator, GPFU, Radio, M8
Alarm, Machine Gun

Winch: Self Recovery

SHIPPING DATA

Weight: 37,857 lb

Cube: 2,500 cu ft

Ground Clearance: 24 in

PURPOSE: Cargo truck with light duty material handling crane.

GENERAL INFORMATION

Nomenclature: TRUCK, CARGO: 10-Ton,
8x8, HEMTT, WO/Winch

Model Number: M977

Crew/Cab Capacity: 2

NSN: 2320-01-099-6426

LIN: T59278

SSN: D162010

TM: 9-2320-279-Series

CHARACTERISTICS

Horsepower: 445 bhp @ 2,100 rpm

Transmission: Automatic; Allison 740-HD

Electrical System: 24 Volt, 12 Pin

Tires: Michelin 16:00 x R20XL

Brakes: Air, 16.5 x 5F, 16.5 x 7R

Blackout Lights: Yes

PERFORMANCE DATA

Fording:

W/Kit:

WO/Kit: 48 in

Approach Angle: 43 Degrees

Departure Angle: 45 Degrees

Cruising Range: 300 miles

PERFORMANCE DATA - Continued

Maximum:

Sustained Forward Speed (at 2,100 rpm)

4th Gear: 57 mph

3rd Gear: 41 mph

2nd Gear: 28 mph

1st Gear: 15 mph

Speed on 3 Percent Grade: 40 mph
30 Percent Grade: 5 mph

Grade: 60 Percent

Side Slope W/Adequate Tractive

Surface: 30 Percent

Towed Speed (Reference FM 20-22): 15 mph

VEHICLE DATA

Type Classification & Date: Std A, 1980

Replaces/Replaced By: Augments Goer

Life Expectancy: 20 Years

Payload: 22,000 lb

Towed Load Allowance: 40,000 lb

Air Transportability: C5, C141, and C130
Aircraft

EQUIPMENT OPTIONS

Kits: Arctic, Alternator, GPFU, Radio, M8
Alarm, Machine Gun

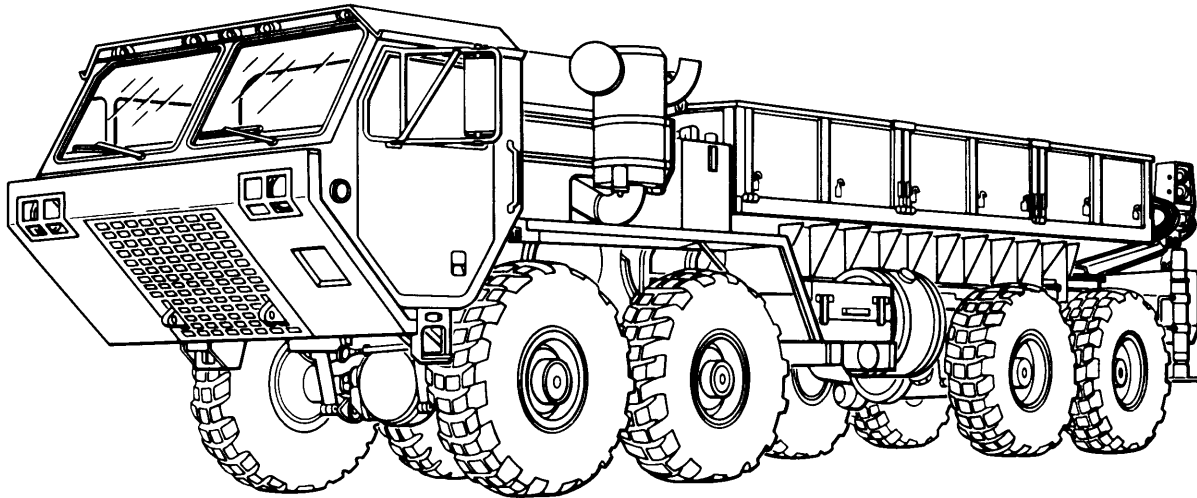
Winch: No

SHIPPING DATA

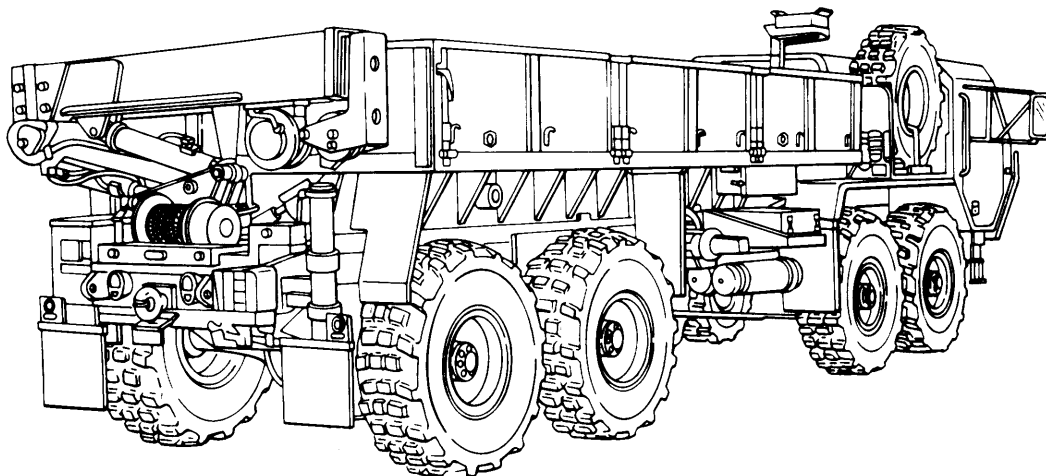
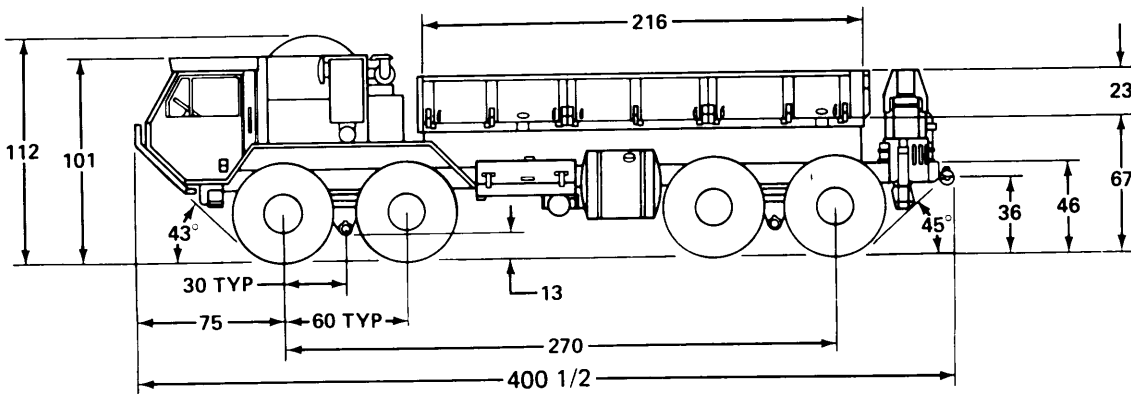
Weight: 36,757 lb

Cube: 2,500 cu ft

Ground Clearance: 13 in



NOTE:
ALL DIMENSIONS ARE IN INCHES.



TA208713

PURPOSE: Cargo truck with heavy duty material handling crane.

GENERAL INFORMATION

Nomenclature: TRUCK, CARGO: 10-Ton,
8x8, HEMTT, 57,000 GVW, W/Winch, C/S

Model Number: M985

Crew/Cab Capacity:

NSN: 2320-01-100-7673

LIN: T39586

SSN: D162040

TM: 9-2320-279-Series

CHARACTERISTICS

Horsepower: 445 bhp @ 2,100 rpm

Transmission: Automatic

Electrical System: 24 Volt

Tires: Michelin 16:00 x R20XL

Brakes: Air, 16.5 x 5F, 16.5 x 7R

Blackout Lights: Yes

PERFORMANCE DATA

Fording:

W/Kit:

WO/Kit: 48 in

Approach Angle: 43 Degrees

Departure Angle: 45 Degrees

Cruising Range: 300 miles

PERFORMANCE DATA - Continued

Maximum:

Sustained Forward Speed (at 2,100 rpm)

4th Gear: 57 mph

3rd Gear: 41 mph

2nd Gear: 28 mph

1st Gear: 15 mph

Speed on 3 Percent Grade: 40 mph
30 Percent Grade: 5 mph

Grade: 60 Percent

Side Slope W/Adequate Tractive

Surface: 30 Percent

Towed Speed (Reference FM 20-22): 15 mph

VEHICLE DATA

Type Classification & Date: Std A, 1980

Replaces/Replaced By: Augments Goer

Life Expectancy: 20 Years

Payload: 22,000 lb

Towed Load Allowance: 40,000 lb

Air Transportability: C5, C141, and C130
Aircraft

EQUIPMENT OPTIONS

Kits: Arctic, Alternator, GPFU, Radio, M8
Alarm, Machine Gun

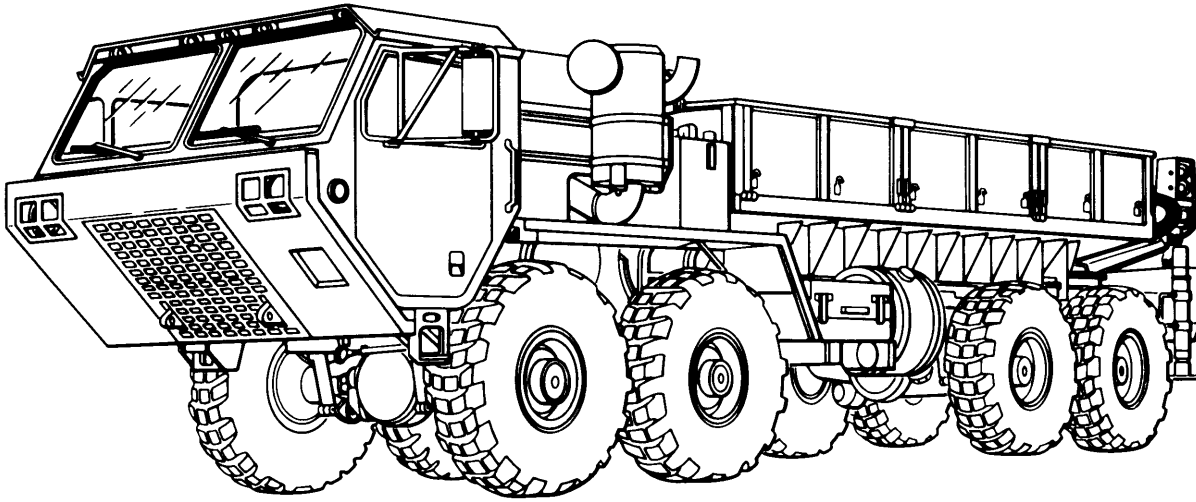
Winch: Self Recovery

SHIPPING DATA

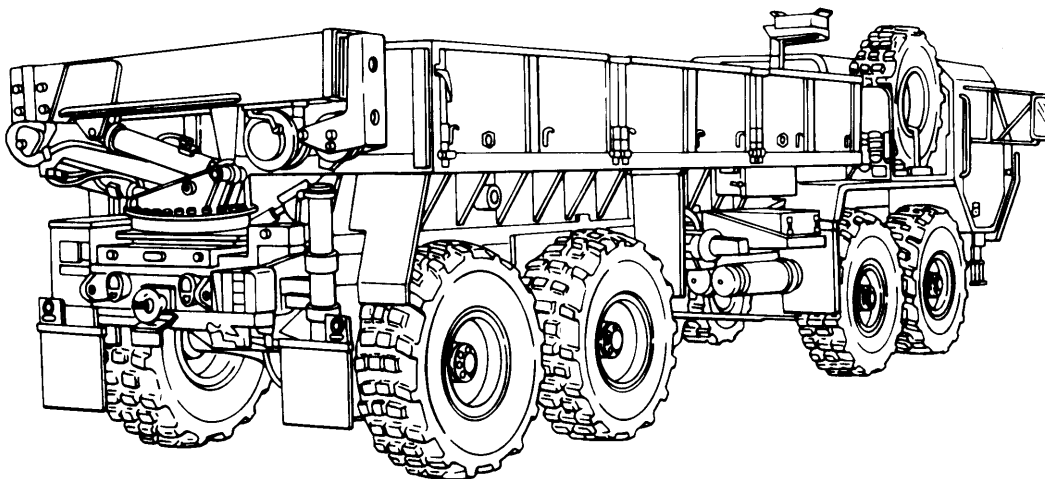
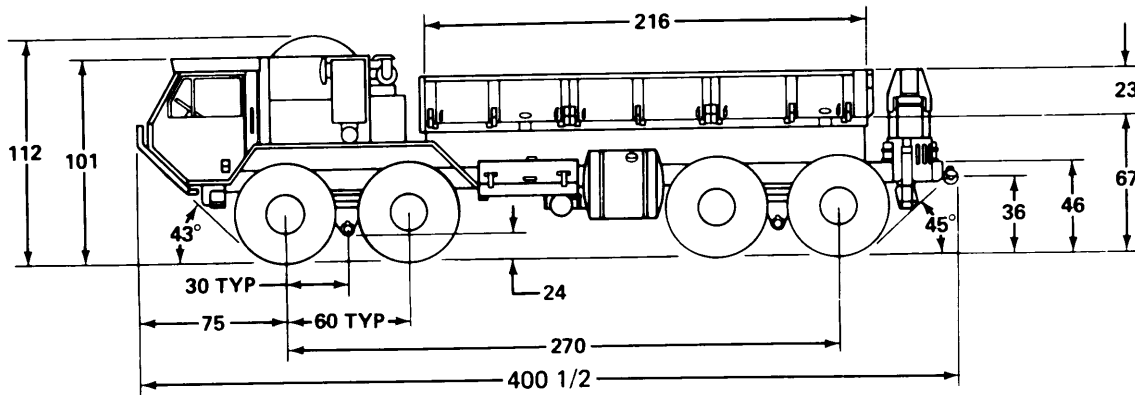
Weight: 39,198 lb

Cube: 2,500 cu ft

Ground Clearance: 13 in



NOTE:
ALL DIMENSIONS ARE IN INCHES.



TA208714

PURPOSE: Cargo truck with heavy duty material handling crane.

GENERAL INFORMATION

Nomenclature: TRUCK, CARGO: 10-Ton,
8x8, HEMTT, W/MTD Crane, WO/Winch

Model Number: M985

Crew/Cab Capacity: 2

NSN: 2320-01-097-0261

LIN: T39654

SSN: D162040

TM: 9-2320-279-Series

CHARACTERISTICS

Horsepower: 445 bhp @ 2,100 rpm

Transmission: Automatic; Allison 740-HD

Electrical System: 24 Volt, 12 Pin

Tires: Michelin 16:00 x R20XL

Brakes: Air, 16.5 x 5F, 16.5 x 7R

Blackout Lights: Yes

PERFORMANCE DATA

Fording:

W/Kit:

WO/Kit: 48 in

Approach Angle: 43 Degrees

Departure Angle: 45 Degrees

Cruising Range: 300 miles

PERFORMANCE DATA - Continued

Maximum:

Sustained Forward Speed (at 2,100 rpm)

4th Gear: 57 mph

3rd Gear: 41 mph

2nd Gear: 28 mph

1st Gear: 15 mph

Speed on 3 Percent Grade: 40 mph

30 Percent Grade: 5 mph

Grade: 60 Percent

Side Slope W/Adequate Tractive

Surface: 30 Percent

Towed Speed (Reference FM 20-22): 15 mph

VEHICLE DATA

Type Classification & Date: Std A, 1980

Replaces/Replaced By: Augments Goer

Life Expectancy: 20 Years

Payload: 22,000 lb

Towed Load Allowance: 40,000 lb

Air Transportability: C5, C141, and C130
Aircraft

EQUIPMENT OPTIONS

Kits: Arctic, Alternator, GPFU, Radio, M8
Alarm, Machine Gun

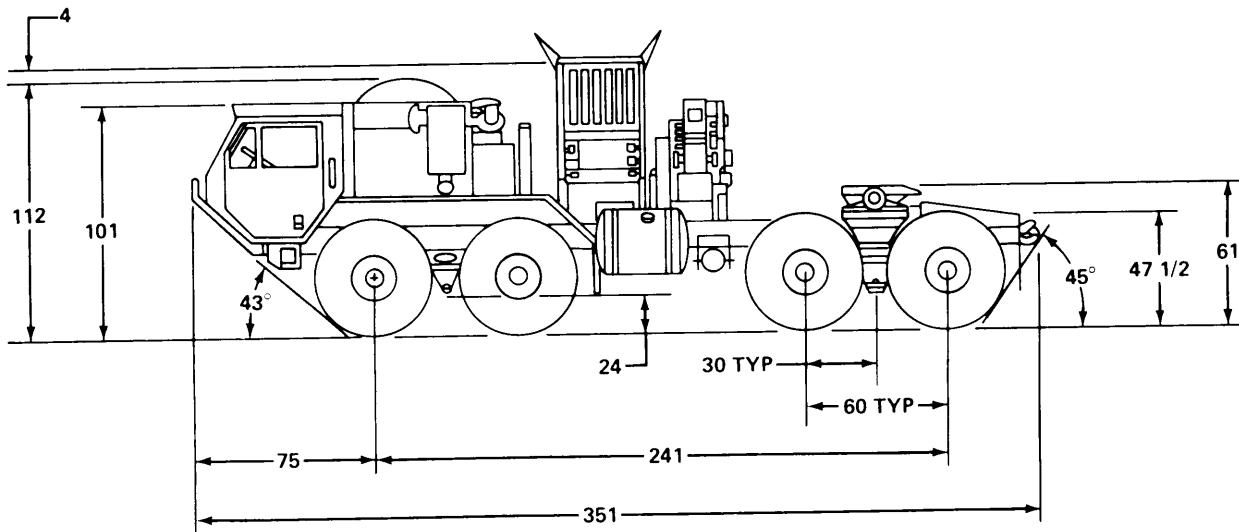
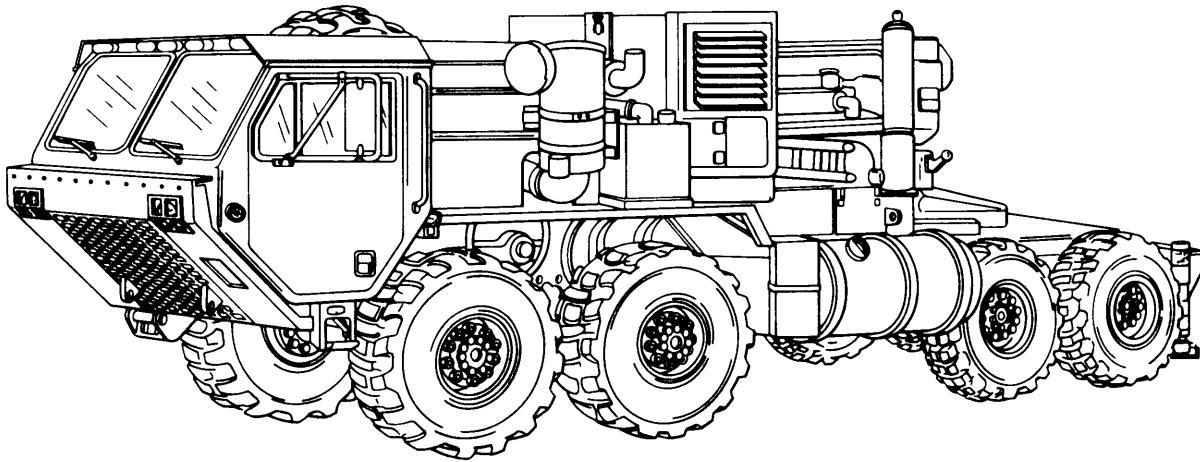
Winch:

SHIPPING DATA

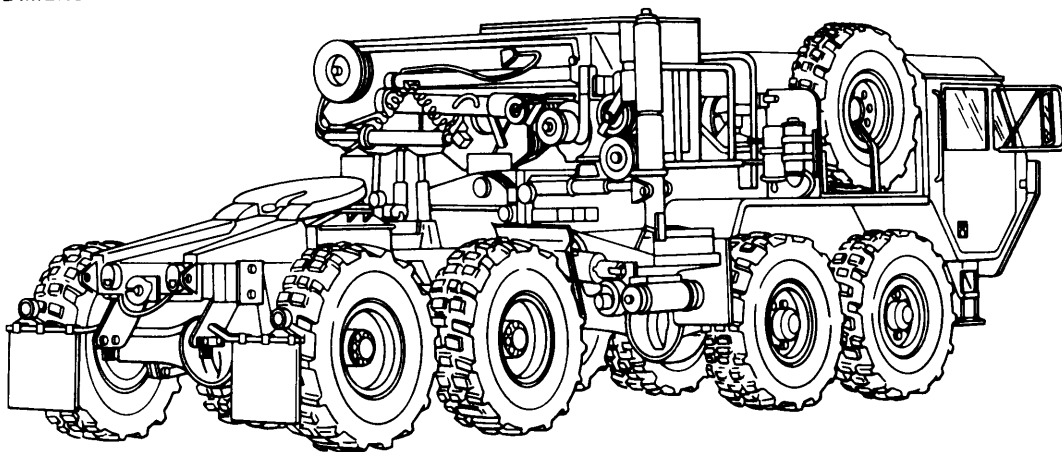
Weight: 38,098 lb

Cube: 2,500 cu ft

Ground Clearance: 24 in



NOTE:
ALL DIMENSIONS ARE IN INCHES.



TA208710

PURPOSE: Tractor truck with material handling crane for towing semitrailer loads of military cargo.

GENERAL INFORMATION

Nomenclature: TRUCK, TRACTOR: 10-Ton, 8x8, HEMTT, W/Crane, W/Winch

Model Number: M983

Crew/Cab Capacity: 2

NSN: 2320-01-099-6421

LIN: T59117

SSN: D16206

TM: 9-2320-279-Series

CHARACTERISTICS

Horsepower: 445 bhp @ 2,100 rpm

Transmission: Automatic; Allison 740-HD

Electrical System: 24 Volt, 12 Pin,
100 Amp

Tires: Michelin 16:00 x R20XL

Brakes: Air, 16.5 x 5F, 16.5 x 7R

Blackout Lights: Yes

PERFORMANCE DATA

Fording:

W/Kit:

WO/Kit: 48 in

Approach Angle: 43 Degrees

Departure Angle: 45 Degrees

Cruising Range: 300 miles

PERFORMANCE DATA - Continued

Maximum:

Sustained Forward Speed (at 2,100 rpm)

4th Gear: 57 mph

3rd Gear: 41 mph

2nd Gear: 28 mph

1st Gear: 15 mph

Speed on 3 Percent Grade: 40 mph

30 Percent Grade: 5 mph

Grade: 60 Percent

Slope W/Adequate Tractive

Surface: 30 Percent

Towed Speed (Reference FM 20-22): 15 mph

VEHICLE DATA

Type Classification & Date: Std A, 1980

Replaces/Replaced By: Augments Goer

Life Expectancy: 20 Years

Payload: 18,000 lb

Towed Load Allowance: 40,000 lb

Air Transportability: C5, C141, and C130
Aircraft

EQUIPMENT OPTIONS

Kits: Arctic, Alternator, GPFU, Radio, M8
Alarm, Machine Gun

Winch: Self Recovery

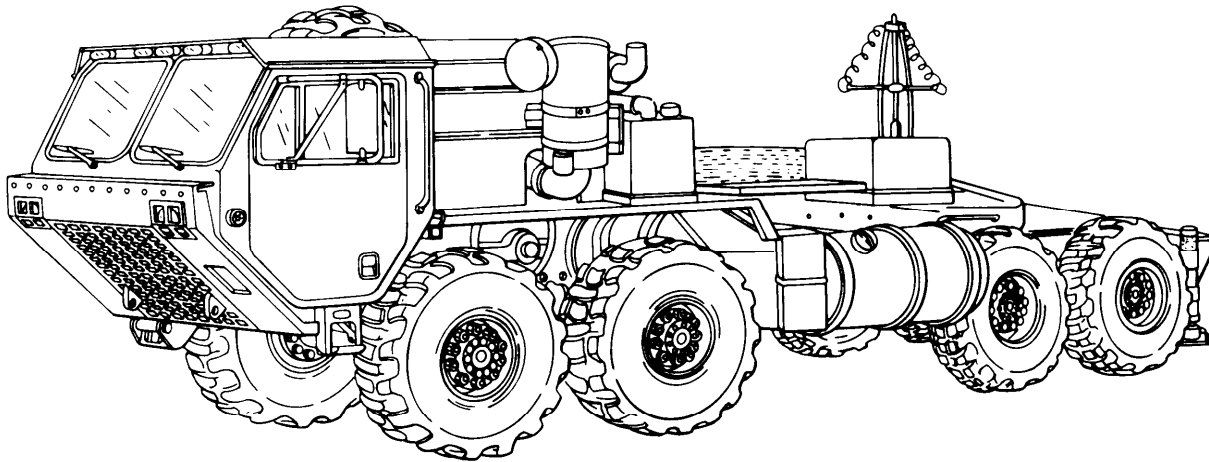
SHIPPING DATA

Weight: 38,660 lb

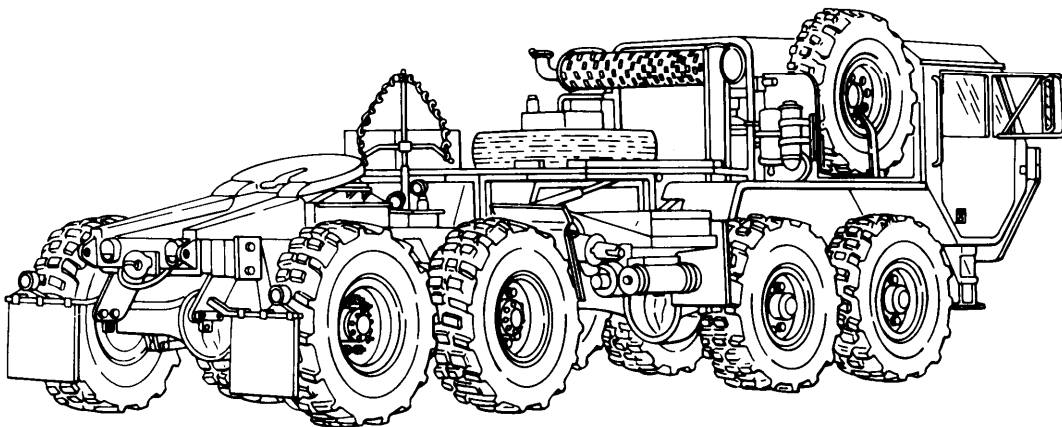
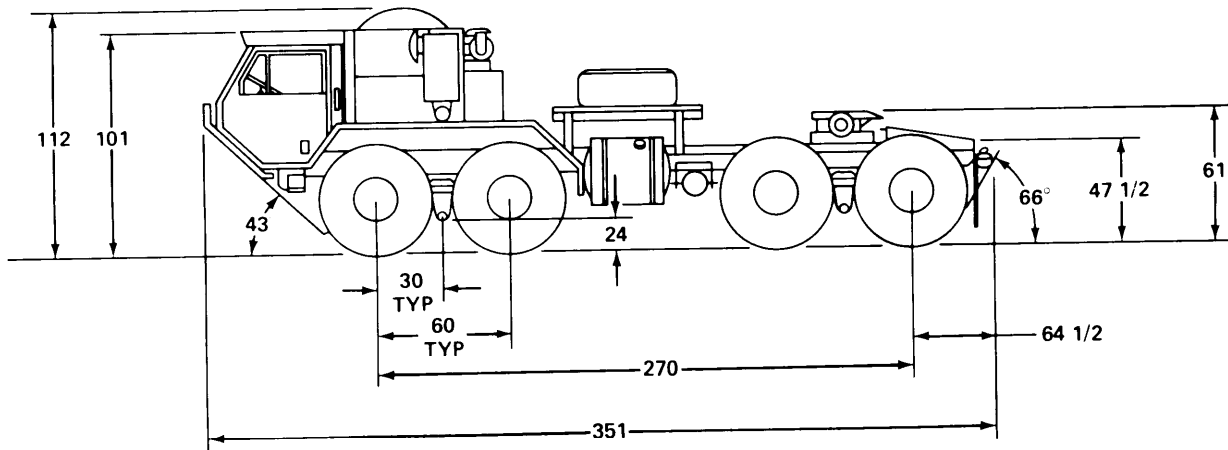
Cube: 2,180 cu ft

Ground Clearance: 24 in

Fifth Wheel Height: 61 in



NOTE:
ALL DIMENSIONS ARE IN INCHES.



TA208711

PURPOSE: Tractor truck without material handling crane for towing semitrailer loads of military cargo.

GENERAL INFORMATION

Nomenclature: TRUCK, CARGO: 10-Ton, 8x8, HEMTT, WO/Crane, W/Winch

Model Number: M983

Crew/Cab Capacity: 2

NSN: 2320-01-097-0247

LIN: T88677

SSN: D162050

TM: 9-2320-279-Series

CHARACTERISTICS

Horsepower: 445 bhp @ 2,100 rpm

Transmission: Automatic; Allison 740-HD

Electrical System: 24 Volt, 12 Pin, 100 Amp

Tires: Michelin 18:00 x R20XL

Brakes: Air, 16.5 x 5F, 16.5 x 7R

Blackout Lights: Yes

PERFORMANCE DATA

Fording:

W/Kit:

WO/Kit: 48 in

Approach Angle: 43 Degrees

Departure Angle: 66 Degrees

Cruising Range: 300 miles

PERFORMANCE DATA - Continued

Maximum:

Sustained Forward Speed (at 2,100 rpm)

4th Gear: 57 mph

3rd Gear: 41 mph

2nd Gear: 28 mph

1st Gear: 15 mph

Speed on 3 Percent Grade: 40 mph

30 Percent Grade: 5 mph

Grade: 60 Percent

Side Slope W/Adequate Tractive

Surface: 30 Percent

Towed Speed (Reference FM 20-22): 15 mph

VEHICLE DATA

Type Classification & Date: Std A, 1980

Replaces/Replaced By: Augments Goer

Life Expectancy: 20 Years

Payload: 22,000 lb

Towed Load Allowance: 40,000 lb

Air Transportability: C5, C141, and C130 Aircraft

EQUIPMENT OPTIONS

Kits: Arctic, Alternator, GPFU, Radio, M8 Alarm, Machine Gun

Winch: Self Recovery

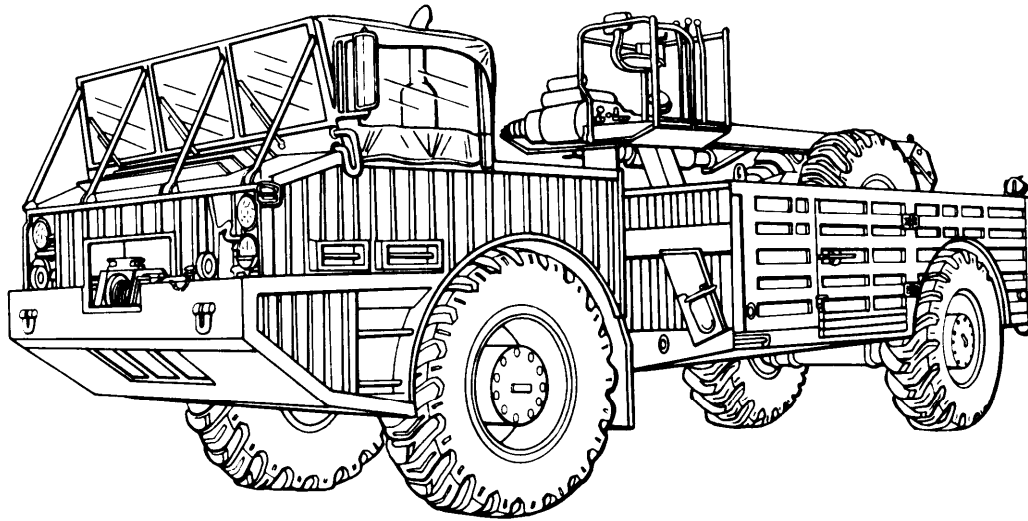
SHIPPING DATA

Weight: 30,760 lb

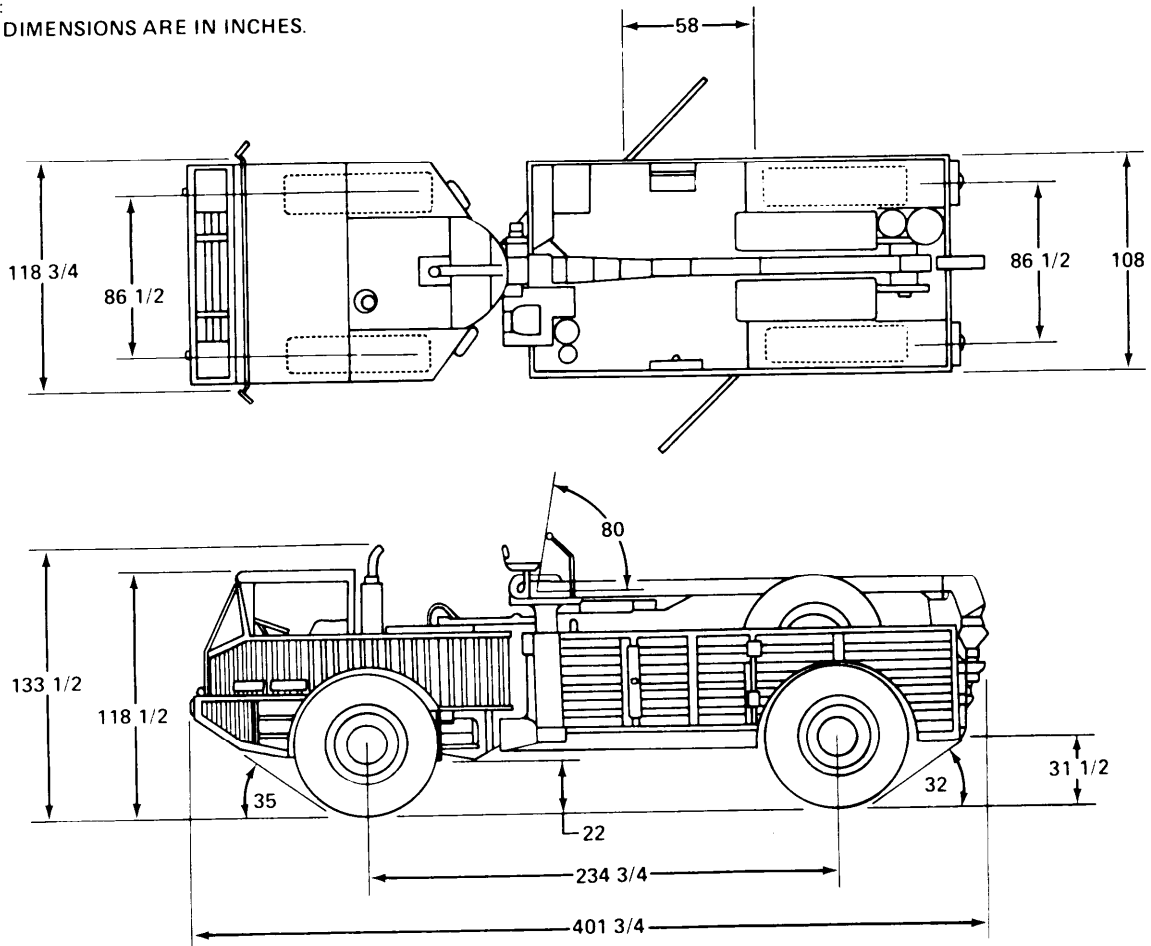
Cube: 2,180 cu ft

Ground Clearance: 24 in

Fifth Wheel Height: 61 in



NOTE:
ALL DIMENSIONS ARE IN INCHES.



TA208678

PURPOSE: Tactical wheeled vehicle which gives high mobility to 10 ton lifting capacity.

GENERAL INFORMATION

Nomenclature: TRUCK, WRECKER:
10-Ton, 4x4, W/Winch

Model Number: M553

Crew/Cab Capacity: 2

NSN: 2320-00-873-5426

LIN: X63436

SSN: D16203

TM: 9-2320-233-Series

CHARACTERISTICS

Horsepower: 213 bhp @ 2,200 rpm

Transmission: Automatic; Fix Speed
Powershift

Electrical System: 24 Volt

Tires: 18:00 x 33, 10-ply

Brakes: Air

Blackout Lights: Yes

PERFORMANCE DATA

Fording:

W/Kit: Swims

WO/Kit:

Approach Angle: 35 Degrees

VEHICLE DATA

Type Classification & Date: Std A, 1970

Replaces: Z93963

Life Expectancy: 20 Years

Payload: 8,000 lb

Towed Load Allowance: 16,000 lb

Air Transportability: Phase II

EQUIPMENT OPTIONS

Kits: Personnel Heater, Arctic Crane Cab,
Infrared Filter, Gun Ring Mounting, Arctic
Cab, Shipping and Stowage Stand

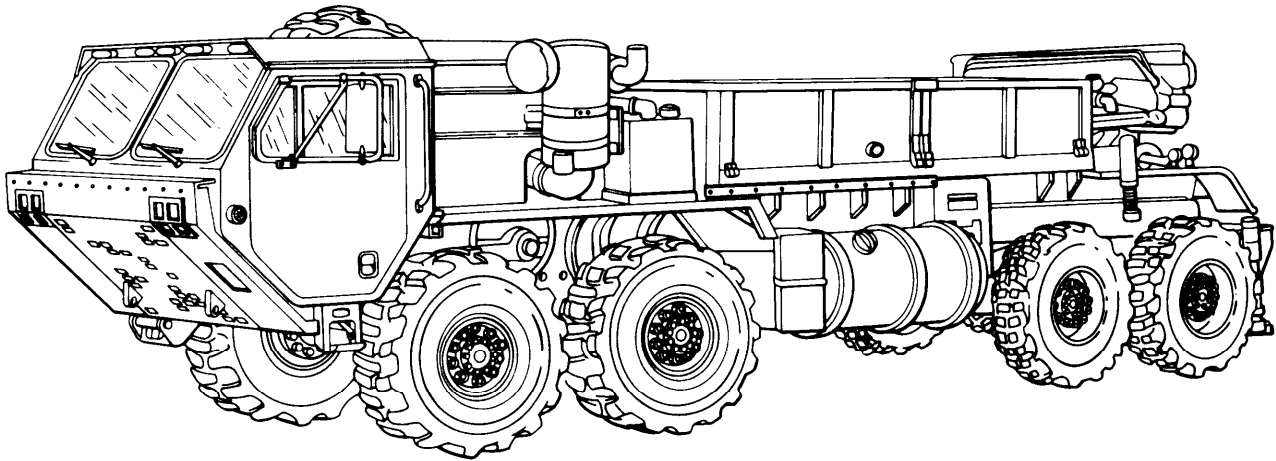
Winch: 1 Front, 1 Rear

SHIPPING DATA

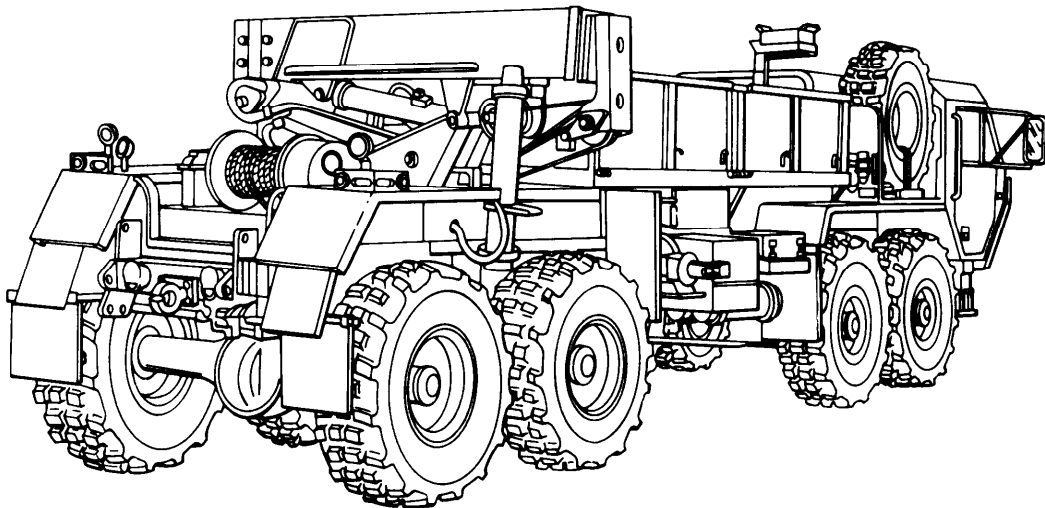
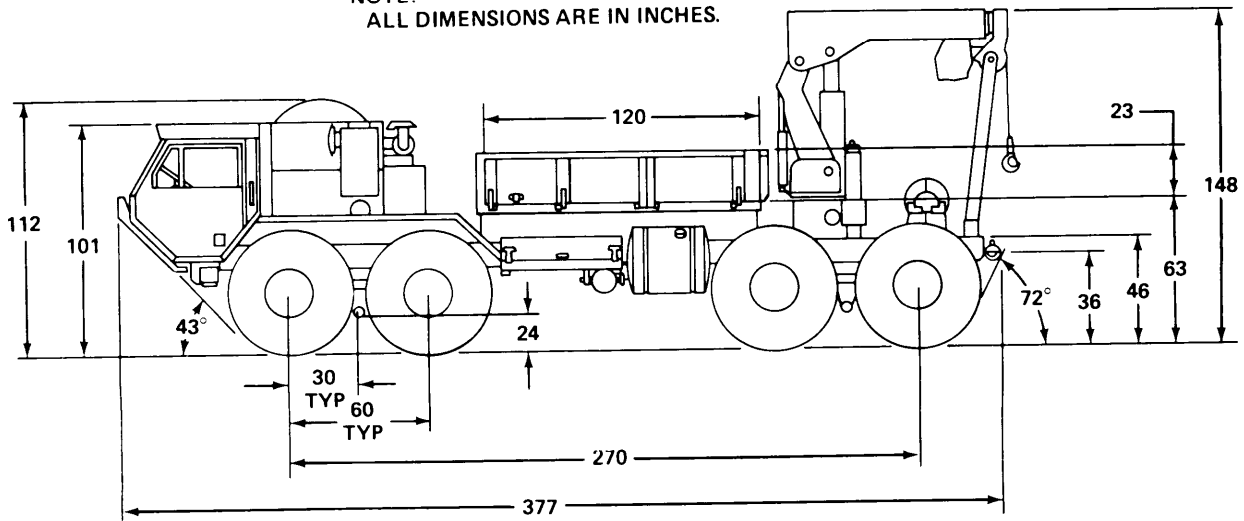
Weight: 37,870 lb

Cube: 2,957 cu ft

Ground Clearance: 22 in



NOTE:
ALL DIMENSIONS ARE IN INCHES.



TA208712

PURPOSE: Wrecker truck. Heavy duty recovery vehicle.

GENERAL INFORMATION

Nomenclature: TRUCK, WRECKER: 10-Ton, Recovery, 8x8, HEMTT, W/Winch

Model Number: M984

Crew/Cab Capacity: 2

NSN: 2320-01-097-0248

LIN: T63093

SSN: D162030

TM: 9-2320-279-Series

CHARACTERISTICS

Horsepower: 445 bhp @ 2,100 rpm

Transmission: Automatic; Allison 740-HD

Electrical System: 24 Volt, 12 Pin

Tires: Michelin 16:00 x R20XL

Brakes: Air, 16.5 x 5F, 16.5 x 7.R

Blackout Lights: Yes

PERFORMANCE DATA

Fording:

W/Kit:

WO/Kit: 48 in

Approach Angle: 43 Degrees

Departure Angle: 72 Degrees

Cruising Range: 300 miles

PERFORMANCE DATA - Continued

Maximum:

Sustained Forward Speed (at 2,100 rpm)

4th Gear: 57 mph

3rd Gear: 41 mph

2nd Gear: 28 mph

1st Gear: 15 mph

Speed on 3 Percent Grade: 40 mph

30 Percent Grade: 5 mph

Grade:

Side Slope W/Adequate Tractive

Surface: 30 Percent

Towed Speed (Reference FM 20-22): 15 mph

VEHICLE DATA

Type Classification & Date: Std A, 1980

Replaces/Replaced By: Augments Goer

Life Expectancy: 20 Years

Payload: 31,000 lb

Towed Load Allowance: 20,000 lb

Air Transportability: C5, C141, and C130 Aircraft

EQUIPMENT OPTIONS

Kits: Arctic, Alternator, GPFU, Radio, M8 Alarm, Machine Gun

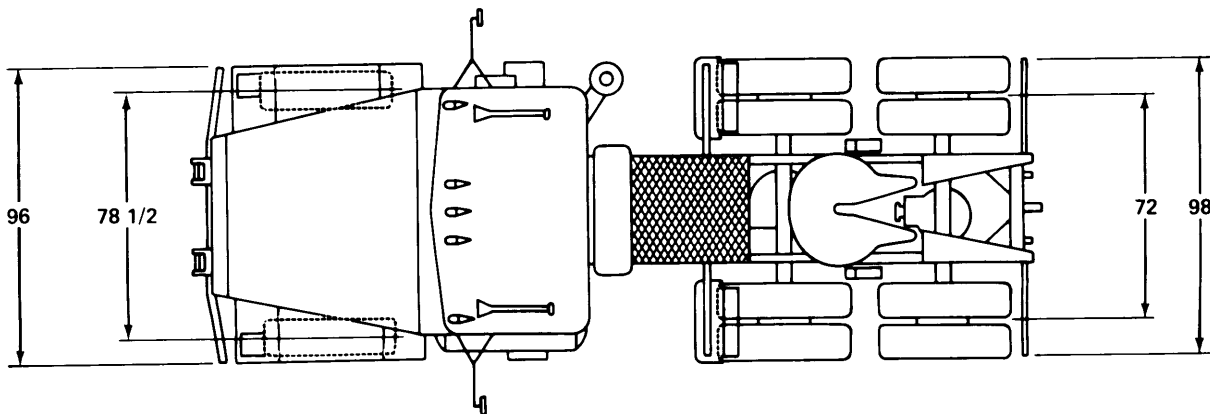
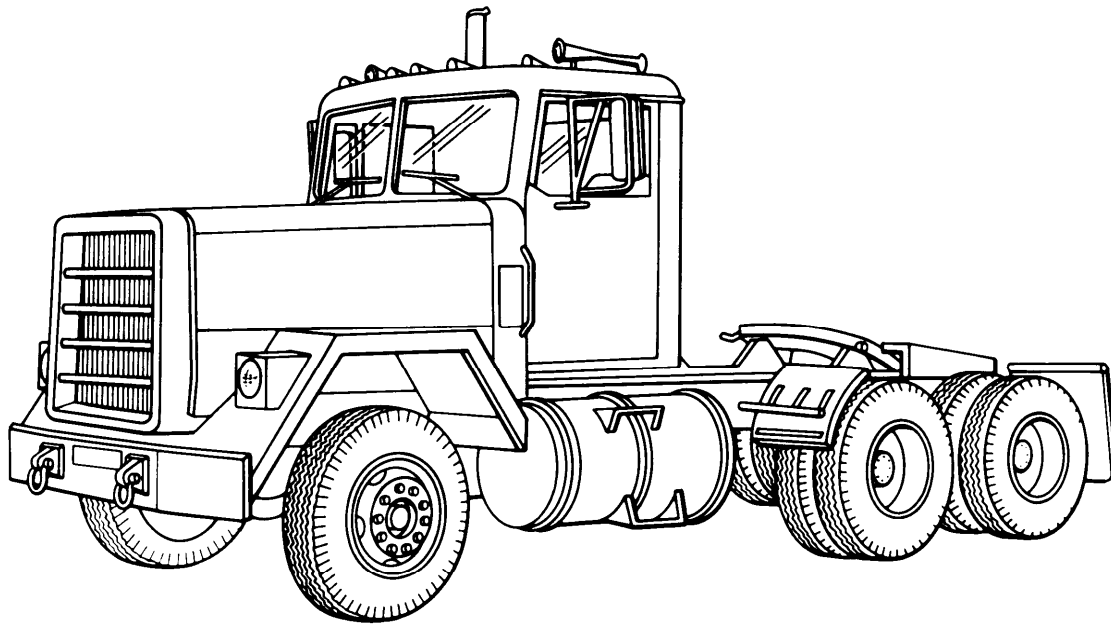
Winch: Self Recovery

SHIPPING DATA

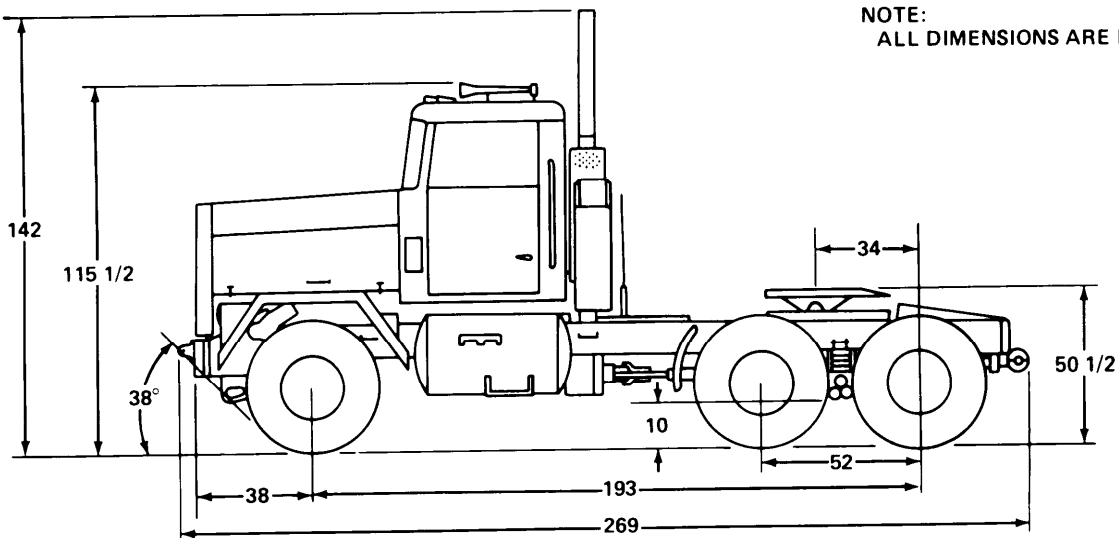
Weight: 41,574 lb

Cube: 2,340 cu ft

Ground Clearance: 24 in



NOTE:
ALL DIMENSIONS ARE IN INCHES.



TA208643

PURPOSE: For use with the new M87234 ton break-bulk container-transporter and other compatible semitrailers. Use on Class 1 good roads only.

GENERAL INFORMATION

Nomenclature: TRUCK, TRACTOR: 14-Ton,
Line Haul, 6x4, 50,000 GVW

Model Number: M915

Crew/Cab Capacity: 2

NSN: 2320-01-028-4395

LIN: T61103

SSN: D15900

TM: 9-2320-273-Series

CHARACTERISTICS

Horsepower: 400 bhp @ 2,100 rpm

Transmission: Semi-Automatic; 16 Fwd,
2 Rev

Electrical System: 12 Volt with 24 Volt
starting

Tires: 10:00 x 20, bias ply

Brakes: Air exhaust, drum type

Blackout Lights: Yes

PERFORMANCE DATA

Fording:

W/Kit:

WO/Kit: 24 in

Approach Angle: 38 Degrees

VEHICLE DATA

Type Classification & Date: Std A, 1979

Replaces: M123 Series

Life Expectancy: 14 Years

Payload: 30,000 lb

Towed Load Allowance: 54,000 lb

Air Transportability:

EQUIPMENT OPTIONS

Kits: Arctic, Fifth Wheel Spacer

Winch: No

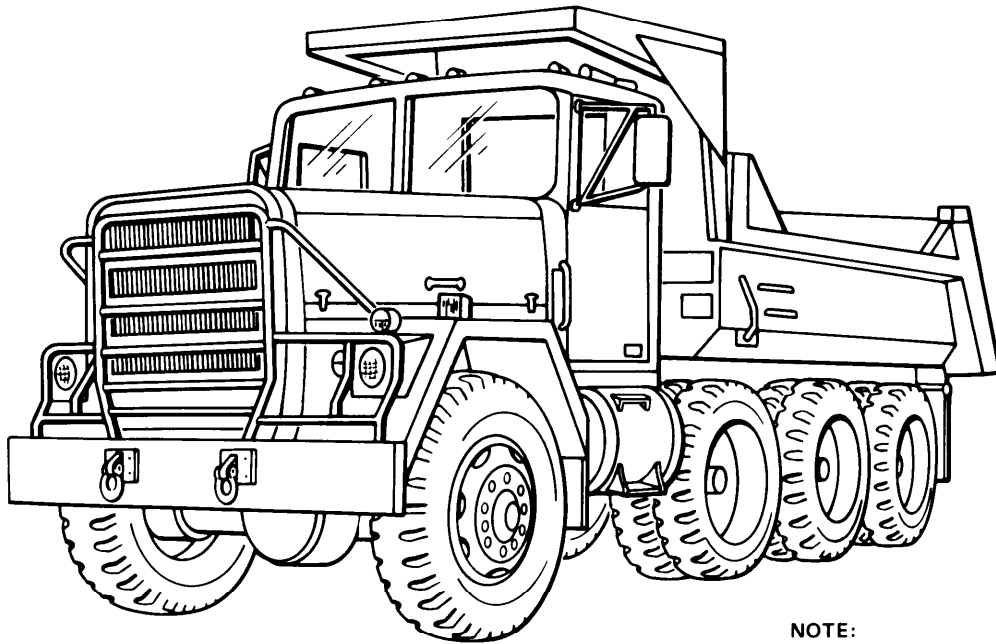
SHIPPING DATA

Weight: 18,620 lb

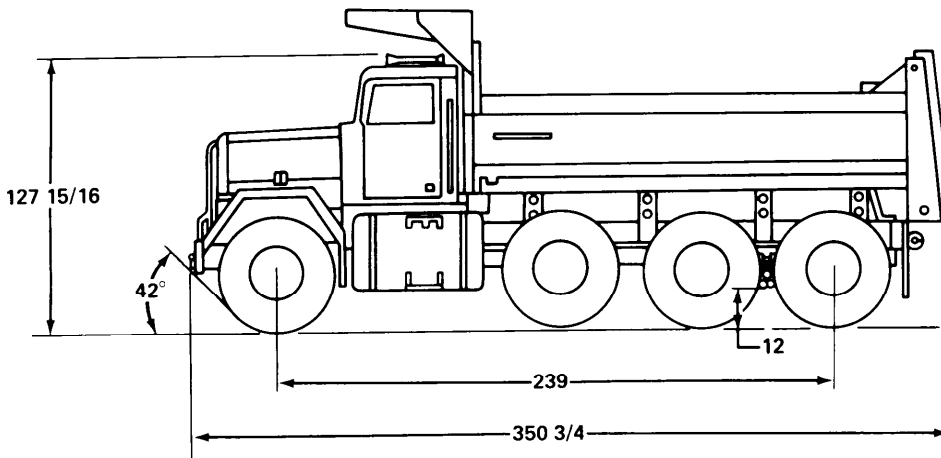
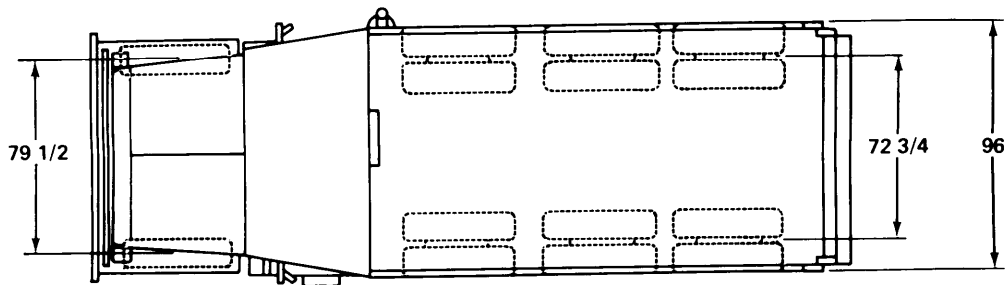
Cube: 1,674 cu ft

Ground Clearance: 10 in

Fifth Wheel Height: 50 1/2 in



NOTE:
ALL DIMENSIONS ARE IN INCHES.



TA208650

PURPOSE: To transport dirt and sand.

GENERAL INFORMATION

Nomenclature: TRUCK, DUMP: 20-Ton,
8x6

Model Number: M917

Crew/Cab Capacity: 2

NSN: 3805-01-028-4389

LIN: X44403

SSN: R03000

TM: 9-2320-273-Series & TM 5-3805-274-24&P

CHARACTERISTICS

Horsepower: 400 bhp @ 2,100 rpm

Transmission: Semi-Automatic; 16 Fwd,
2 Rev

Electrical System: 12 Volt with 24 Volt
starting

Tires: 11:00 x 24, bias ply

Brakes: Air exhaust, drum type

Blackout Lights: Yes

PERFORMANCE DATA

Fording:

W/Kit:

WO/Kit: 24 in

Approach Angle: 42 Degrees

VEHICLE DATA

Type Classification & Date: Std A, 1979

Replaces/Replaced By: New item

Life Expectancy: 16 Years

Payload: 40,000 lb

Towed Load Allowance:

Air Transportability:

EQUIPMENT OPTIONS

Kits: Winterization

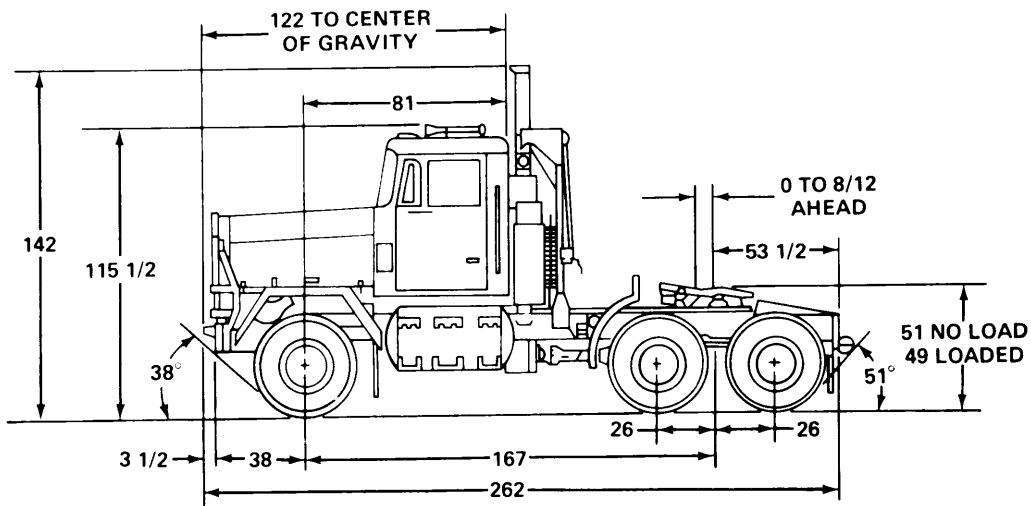
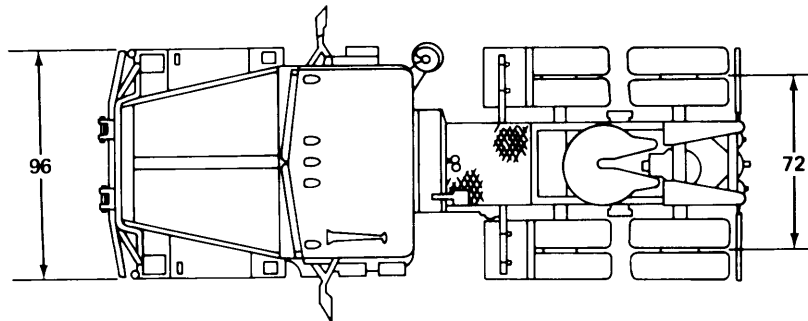
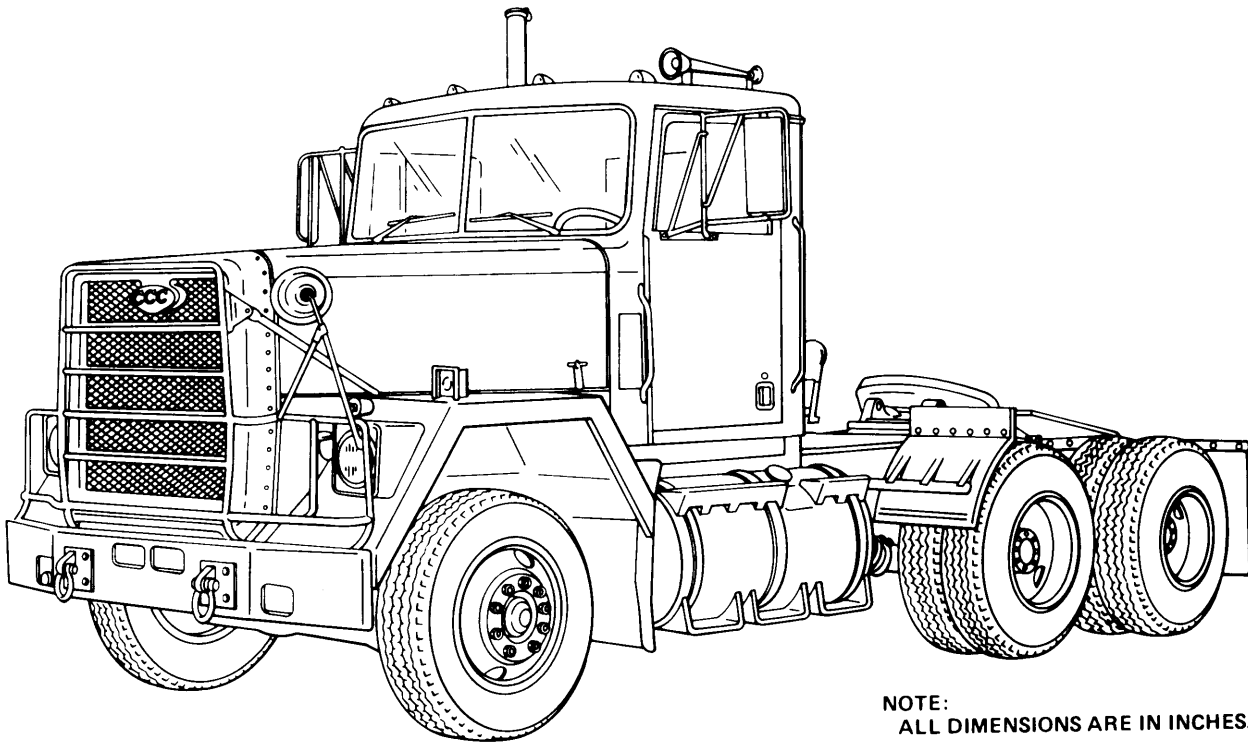
Winch: No

SHIPPING DATA

Weight: 34,080 lb

Cube: 2,804 cu ft

Ground Clearance: 12 in



TA209206

PURPOSE: To be used for the transport of the M872 34-Ton Break- Bulk Container-Transporter and other compatible semitrailers. Use on class 1 good roads only.

GENERAL INFORMATION

Nomenclature: TRUCK, TRACTOR:
20-Ton, Line Haul, 6x4, Light Weight
Equipment, 50,000 GVWR

Model Number: M915A1

Crew/Cab Capacity: 2

NSN: 2320-01-125-2640

LIN:

SSN:

TM: 9-2320-283-Series and
TM 9-2815-225-34&P

CHARACTERISTICS

Engine: Cummins Diesel, 6 cyl

Horsepower: 400 bhp @ 2,100 rpm

Transmission: Automatic; 5 Fwd, 1 Rev

Electrical System: 24 Volt

Tires: 11:00 x 22.5, Ply-G/14

Fifth Wheel: 36 in Diameter

Brakes: Air Exhaust Drum Type

Blackout Lights: Yes

PERFORMANCE DATA

Fording:

W/Kit:

WO/Kit: 20 in (Hard Bottom)

PERFORMANCE DATA - Continued

Approach Angle: 38 Degrees

Departure Angle: 51 Degrees

Maximum Speed: 58 mph

Range: 357 miles

Turning Radius: 53 ft 6 in

VEHICLE DATA

Type Classification & Date:

Replaces:

Life Expectancy:

Payload: 28,400 lb

Towed Load Allowance: 54,000 lb

Air Transportability:

EQUIPMENT OPTIONS

Kits: Arctic, Tire Chains, Fifth Wheel
Recovery

Winch: No

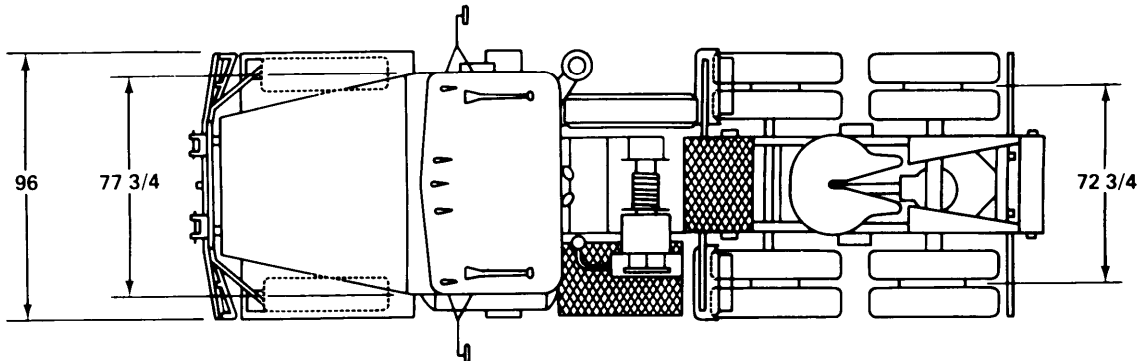
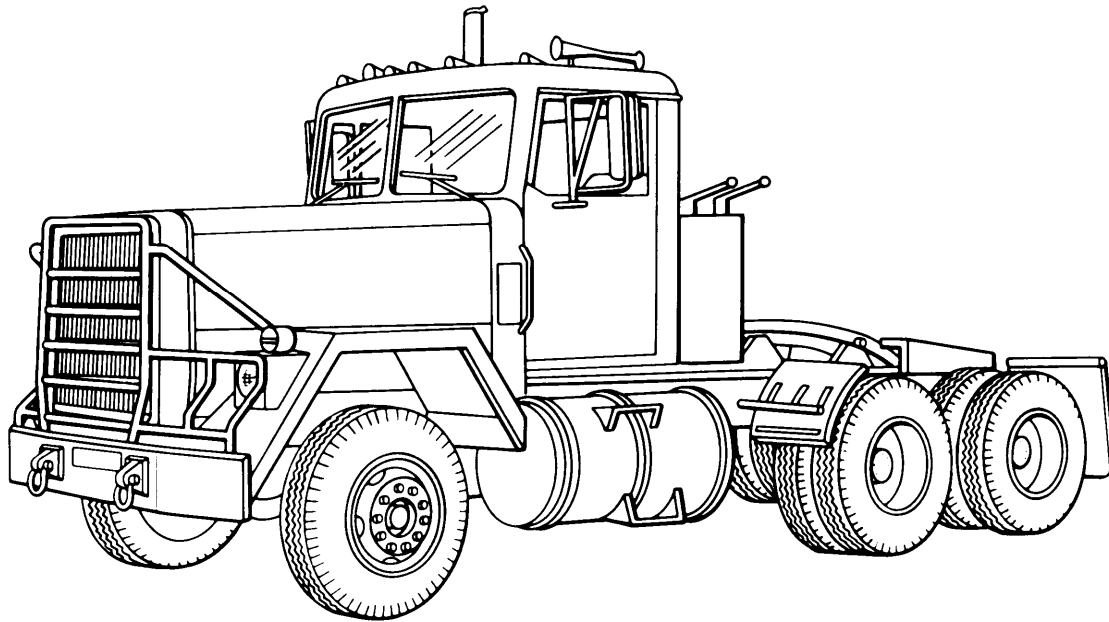
SHIPPING DATA

Weight: 48,120 lb

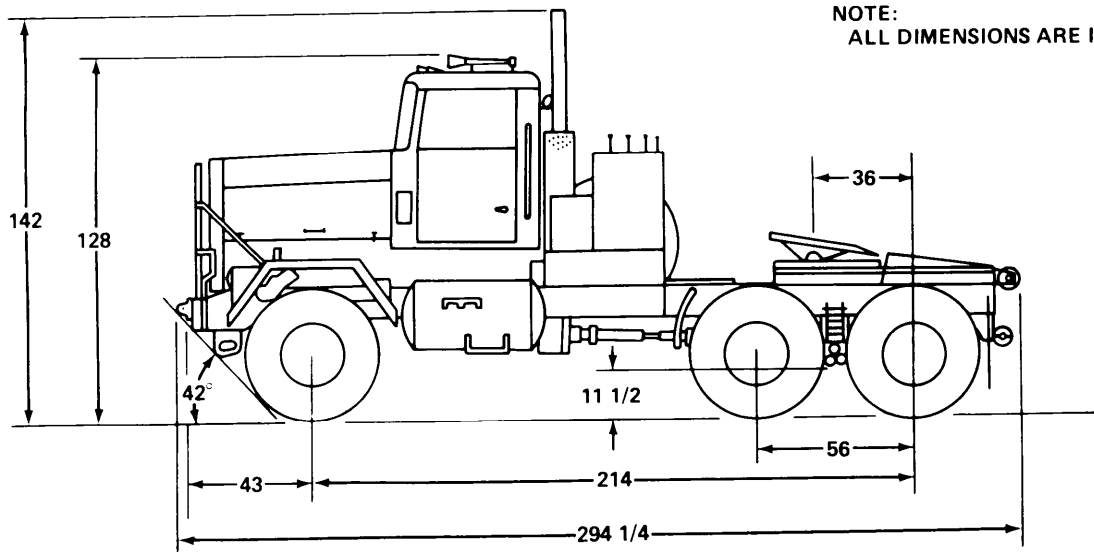
Cube: 1,681 cu ft

Ground Clearance:

Fifth Wheel Height: 51 in No Load
49 in Loaded



NOTE:
ALL DIMENSIONS ARE IN INCHES.



TA208645

PURPOSE: To tow the M172A1 Trailer.

GENERAL INFORMATION

Nomenclature: TRUCK, TRACTOR: 20-Ton,
Light Equipment, 6x6, 56,000 GVW

Model Number: M916

Crew/Cab Capacity: 2

NSN: 2320-01-028-4396

LIN: T91656

SSN: D19601

TM: 9-2320-273-Series

CHARACTERISTICS

Horsepower: 400 bhp @ 2,100 rpm

Transmission: Semi-Automatic; 16 Fwd,
2 Rev

Electrical System: 12 Volt with 24 Volt
starting

Tires: 11.00 x 24, bias ply

Fifth Wheel: 36 in diameter

Brakes: Air exhaust, drum type

Blackout Lights: Yes

PERFORMANCE DATA

Fording:

W/Kit:

WO/Kit: 24 in

Approach Angle: 42 Degrees

Maximum Speed: 59 mph

VEHICLE DATA

Type Classification & Date: Std A, 1980

Replaces/Replaced By: M123

Life Expectancy: 14 Years

Payload: 28,000 lb

Towed Load Allowance: 50,000 lb

Air Transportability:

EQUIPMENT OPTIONS

Kits: Winterization, Fifth Wheel Spacer

Winch: Behind cab

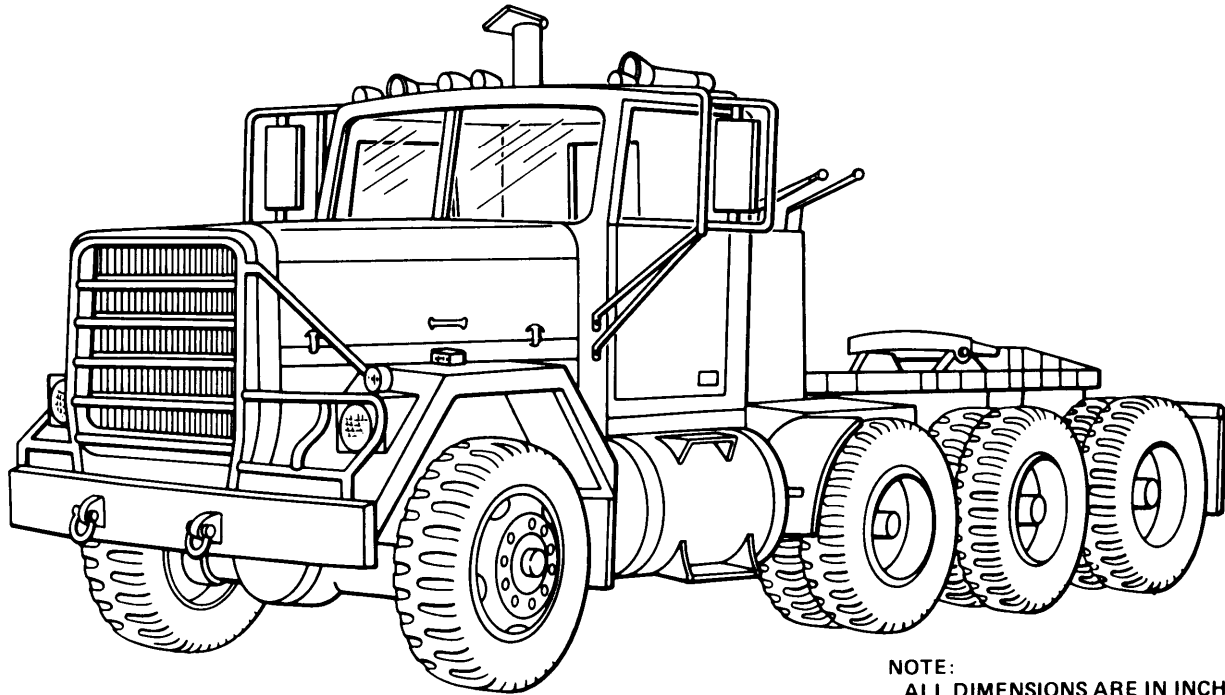
SHIPPING DATA

Weight: 27,500 lb

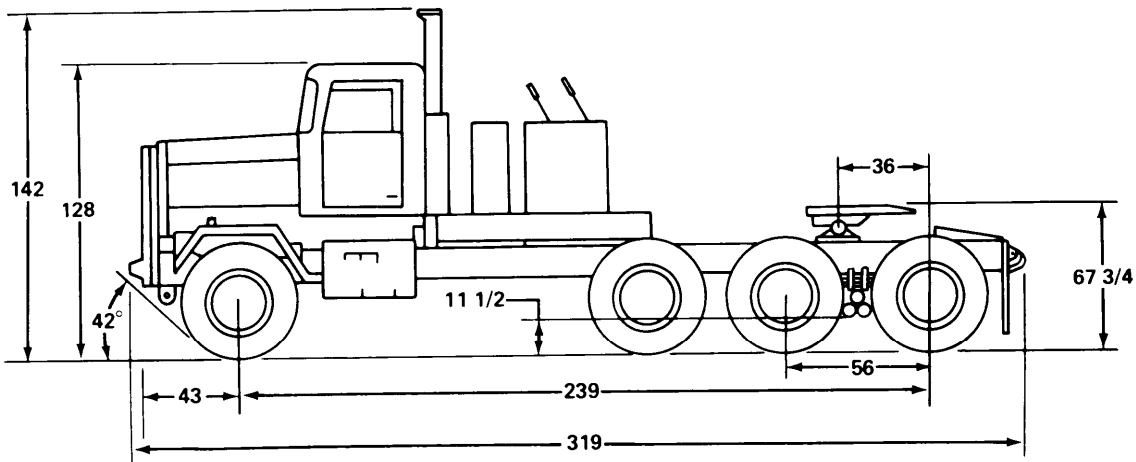
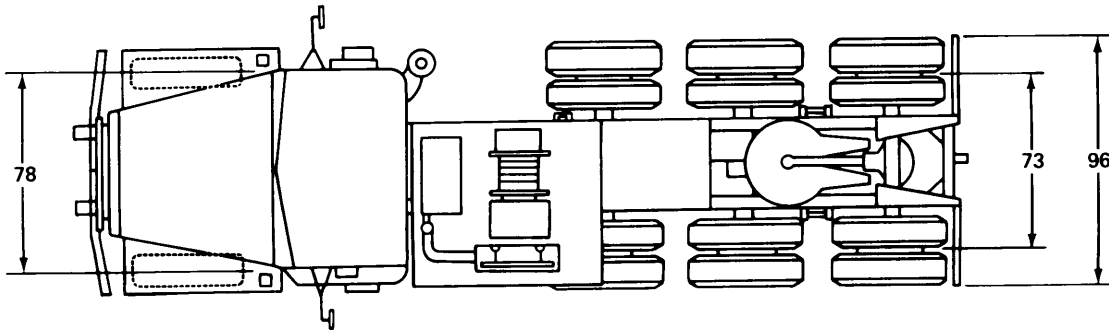
Cube: 2,212 cu ft

Ground Clearance: 11 1/2 in

Fifth Wheel Height: 65 3/4 in



NOTE:
ALL DIMENSIONS ARE IN INCHES.



TA208634

PURPOSE: This vehicle is to replace the existing 10 Ton Truck Tractor, and is to be used as a heavy equipment transporter.

GENERAL INFORMATION

Nomenclature: TRUCK, TRACTOR: 20-Ton,
Medium Equipment, 8x6, 75,000
GVW, W/Winch

Model Number: M920

Crew/Cab Capacity: 2

NSN: 2320-01-028-4397

LIN: T61171

SSN: D196020

TM: 9-2320-273-Series

CHARACTERISTICS

Horsepower: 400 bhp @ 2,100 rpm

Transmission: Semi-Automatic; 16 Fwd,
2 Rev

Electrical System: 12 Volt with 24 Volt
start i ng

Tires: 11:00 x 24, bias ply

Fifth Wheel: 36 in diameter

Brakes: Air exhaust, drum type

Blackout Lights: Yes, Military 12V

PERFORMANCE DATA

Fording:

W/Kit:

WO/Kit: 24 in

Approach Angle: 42 Degrees

Maximum Speed: 59 mph

VEHICLE DATA

Type Classification & Date: Std A, 1980

Replaces/Replaced By:

Life Expectancy: 14 Years

Payload: 44,730 lb

Towed Load Allowance: 55,000 lb

Air Transportability:

EQUIPMENT OPTIONS

Kits: Winterization, Fifth Wheel
Spacer

Winch: Behind cab

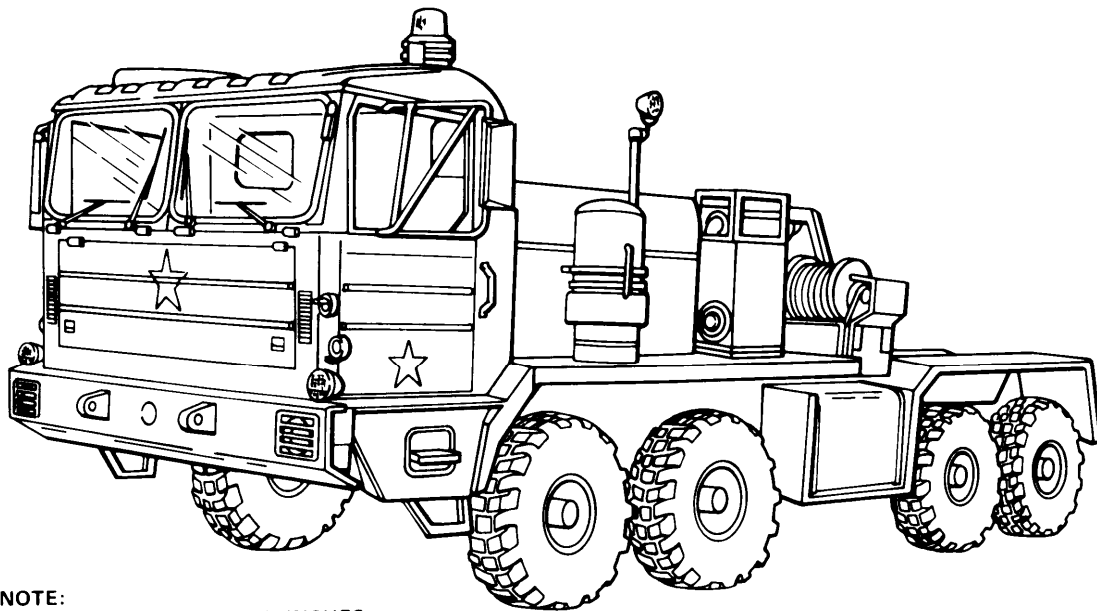
SHIPPING DATA

Weight: 30,270 lb

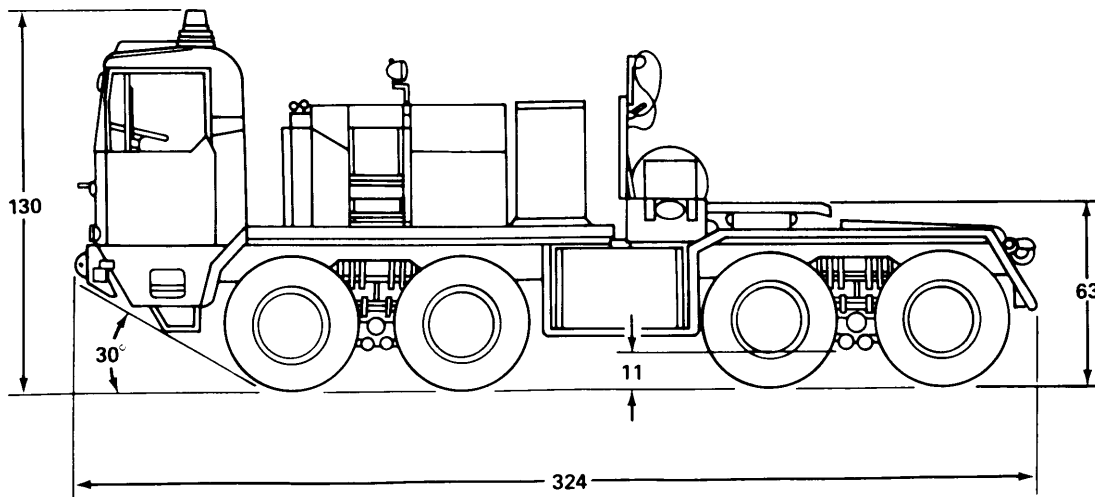
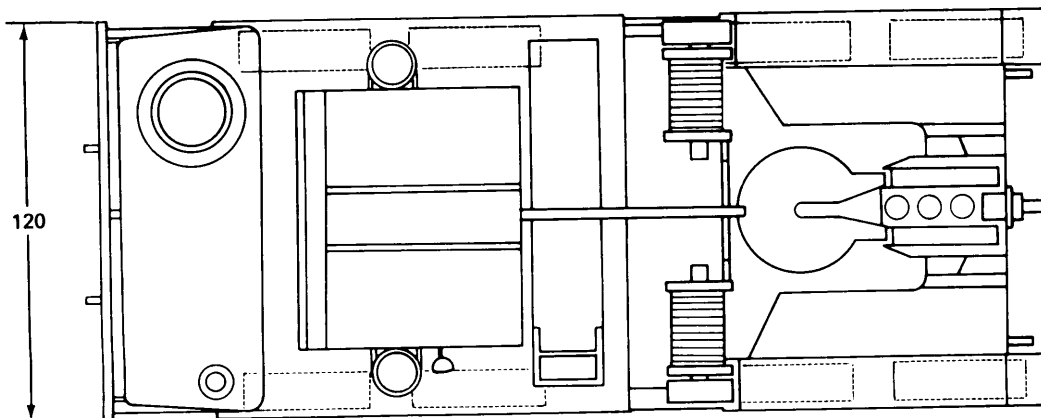
Cube: 2,317 cu ft

Ground Clearance: 11 1/2 in

Fifth Wheel Height: 67 3/4 in



NOTE:
ALL DIMENSIONS ARE IN INCHES.



TA208663

PURPOSE: To evacuate a disabled main battle tank or other disabled vehicles of similar weight and size along main supply routes. To transport nondisabled tank vehicles over extended distances. General cargo missions.

GENERAL INFORMATION

Nomenclature: TRUCK, TRACTOR: 22 1/2-Ton, HET, 8x8, W/Dual Midship Winch, W/E

Model Number: M746

Crew/Cab Capacity: 4

NSN: 2320-00-089-7264

LIN: X60967

SSN: D101020

TM: 9-2320-258-Series

CHARACTERISTICS

Horsepower: 600 bhp @ 2,500 rpm

Transmission: Automatic

Electrical System: 24 Volt

Tires: 22:5/22 x 18, bias ply

Brakes: Air, w/8 failsafes

Blackout Lights: Yes

PERFORMANCE DATA

Fording:

W/Kit:

WO/Kit: 48 in

Approach Angle: 30 Degrees

VEHICLE DATA

Type Classification & Date: Std A, 1973

Replaced By: M91

Life Expectancy: 14 Years

Payload: 52,500 lb

Towed Load Allowance: 137,000 lb

Air Transportability:

EQUIPMENT OPTIONS

Kits: Personnel Heater

Winch: Rear Mounted

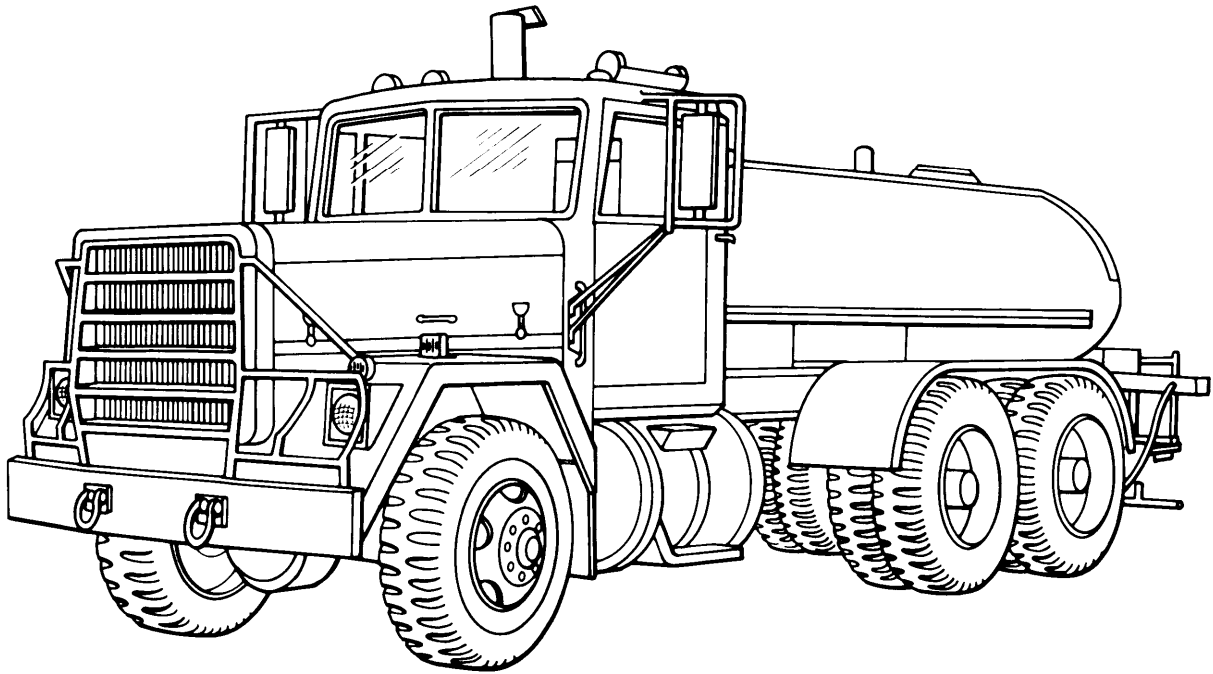
SHIPPING DATA

Weight: 45,723 lb

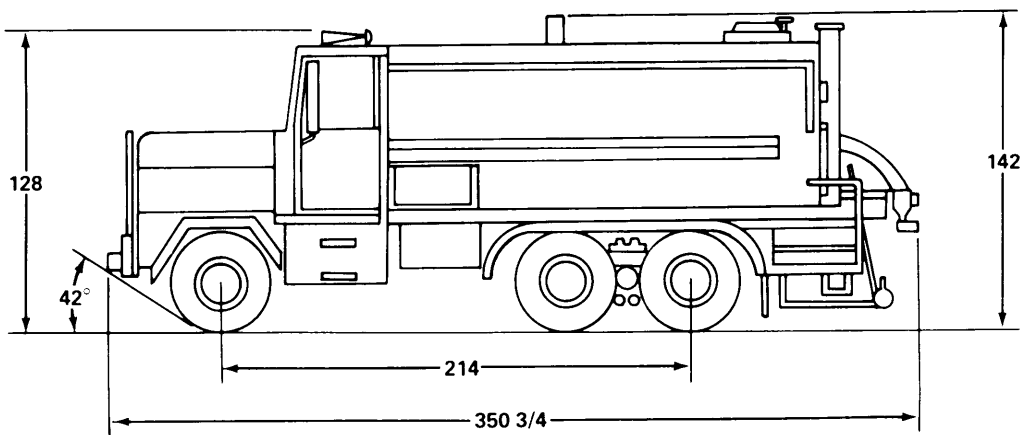
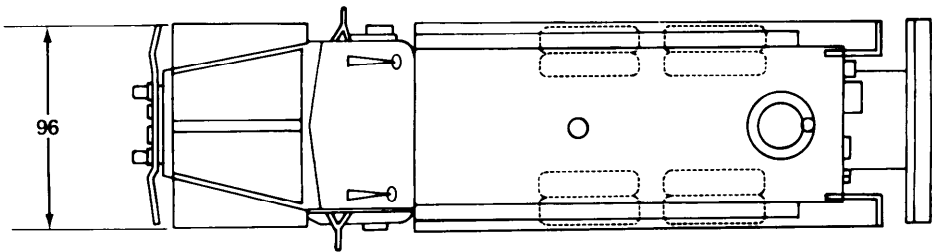
Cube: 2,698 cu ft

Ground Clearance: 11 in

Fifth Wheel Height: 63 in



NOTE:
ALL DIMENSIONS ARE IN INCHES.



TA208620

PURPOSE: To surface roads.

GENERAL INFORMATION

Nomenclature: TRUCK, BITUMINOUS:
22 1/2-Ton, Distributor, 6x6

Model Number: M918

Crew/Cab Capacity: 2

NSN: 3895-01-028-4390

LIN: G27844

SSN: R021000

TM: 9-2320-273-Series & TM 5-3895-371-24&P

CHARACTERISTICS

Horsepower: 400 bhp @ 2,100 rpm

Transmission: Semi-Automatic; 16 Fwd,
2 Rev

Electrical System: 12 Volt with 24 Volt
start i ng

Tires: 11:00 x 24, bias ply

Brakes: Air exhaust, drum type

Blackout Lights: Yes

PERFORMANCE DATA

Fording:

W/Kit:

WO/Kit: 24 in

Approach Angle: 42 Degrees

VEHICLE DATA

Type Classification & Date: Std A, 1980

Replaces/Replaced By: New item

Life Expectancy: 14 Years

Payload: 43,280 lb

Towed Load Allowance:

Air Transportability:

EQUIPMENT OPTIONS

Kits: Winterization

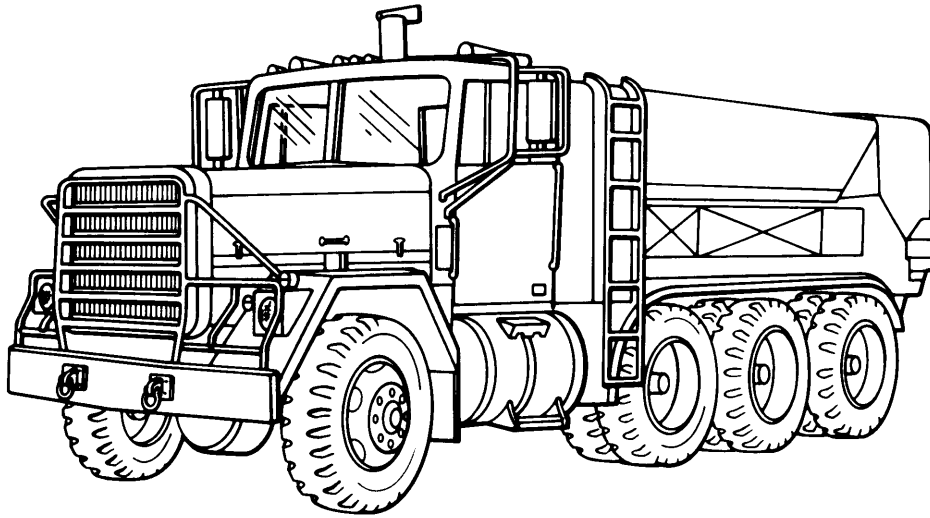
Winch: No

SHIPPING DATA

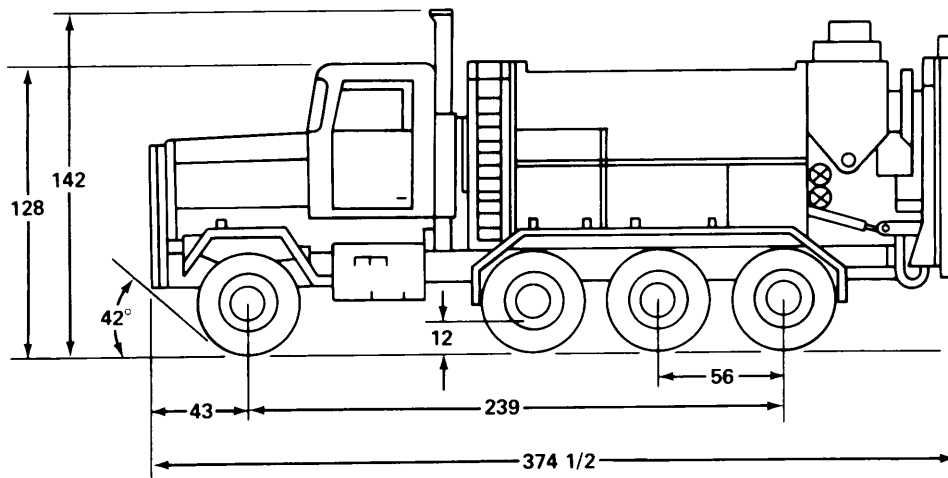
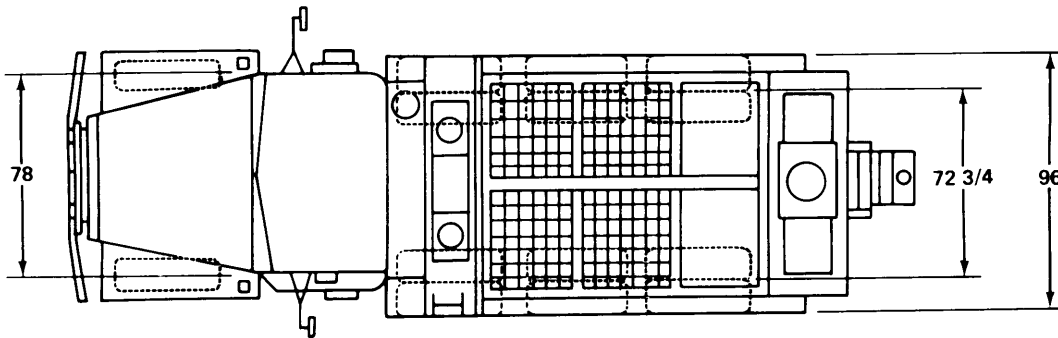
Weight: 31,340 lb

Cube: 2,544 cu ft

Ground Clearance: 11 5/8 in



NOTE:
ALL DIMENSIONS ARE IN INCHES.



TA208649

PURPOSE: To transport concrete.

GENERAL INFORMATION

Nomenclature: TRUCK, CONCRETE-MOBILE
MIXER: 22 1/2-Ton, 8x6, 8 Cu Yds

Model Number: M919

Crew/Cab Capacity: 2

NSN: 3895-01-028-4391

LIN: T42725

SSN: R03700

TM: 9-2320-273-Series & TM 5-3895-372-20

CHARACTERISTICS

Horsepower: 400 bhp @ 2,100 rpm

Transmission: Semi-Automatic; 16 Fwd,
2 Rev

Electrical System: 12 Volt with 24 Volt
starting

Tires: 11:00 x 24, bias ply

Brakes: Air exhaust, drum type

Blackout Lights: Military 12 Volt

PERFORMANCE DATA

Fording:

W/Kit:

WO/Kit: 24 in

Approach Angle: 42 Degrees

VEHICLE DATA

Type Classification & Date: Std A, 1980

Replaces/Replaced By: New item

Life Expectancy: 14 Years

Payload: 35,550 lb

Minimum Materials Carrying Capacity:

Cement: 63 cu ft

Sand: 130 cu ft

Water: 400 gal

Aggregate: 187 cu ft

Towed Load Allowance:

Air Transportability:

EQUIPMENT OPTIONS

Kits: Winterization

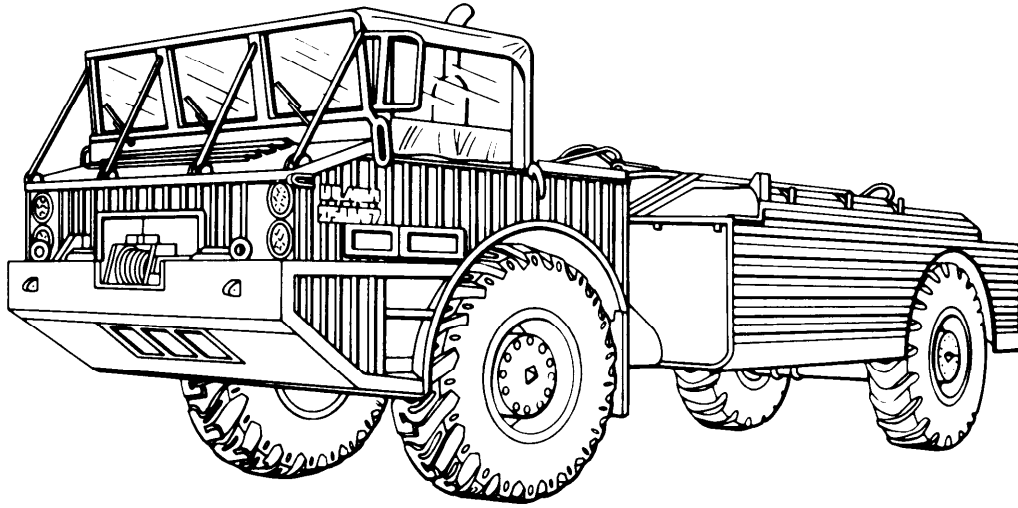
Winch: No

SHIPPING DATA

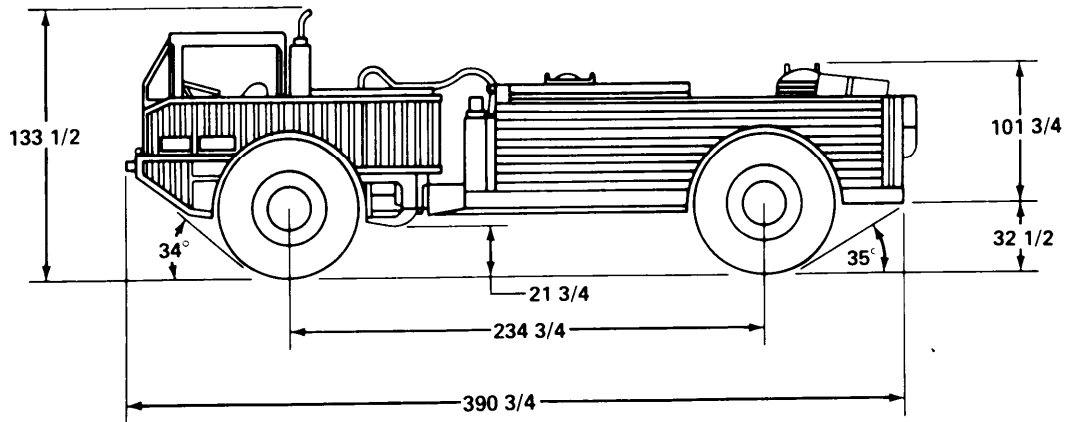
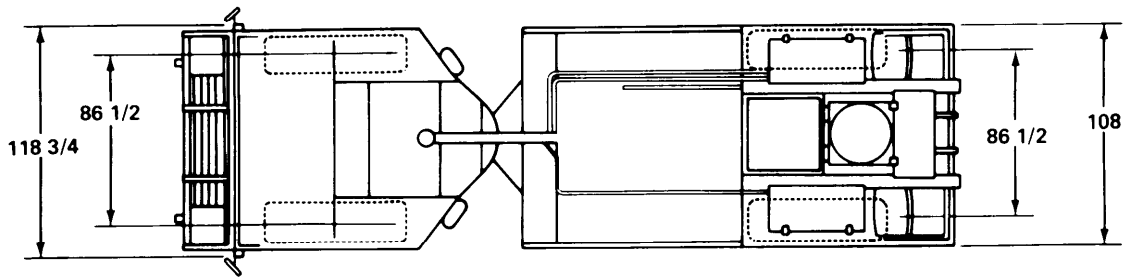
Weight: 37,540 lb

Cube: 2,716 cu ft

Ground Clearance: 12 in



NOTE:
ALL DIMENSIONS ARE IN INCHES.



TA208676

PURPOSE: To provide a tactical wheeled vehicle which gives high mobility to 2,500 gallons of fuel.

GENERAL INFORMATION

Nomenclature: TRUCK, TANK: 22 1/2-Ton,
Fuel Servicing, 4x4, 2,500 Gal, W/Winch

Model Number: M559

Crew/Cab Capacity: 2

NSN: 2320-00-873-5420

LIN: X58093

SSN: D16202

TM 9-2320-233-Series

CHARACTERISTICS

Horsepower: 213 bhp @ 2,200 rpm

Transmission: Powershift; 6 Fwd, 1 Rev

Electrical System: 24 Volt

Tires: 18:00 x 33, 10-ply

Brakes: Air

Blackout Lights: Yes

PERFORMANCE DATA

Fording:

W/Kit: Swims at 2.6 mph @ 2,200 rpm
in 5th gear

WO/Kit:

Approach Angle: 34 Degrees

VEHICLE DATA

Type Classification & Date: Std A, 1966

Replaces/Replaced By:

Life Expectancy: 20 Years

Payload: 16,000 lb

Towed Load Allowance: 20,000 lb

Air Transportability: C141 and C5A Air-
craft, not air droppable

EQUIPMENT OPTIONS

Kits: Arctic Cab, Gun Mounting, Infrared
Filter, Warning Light

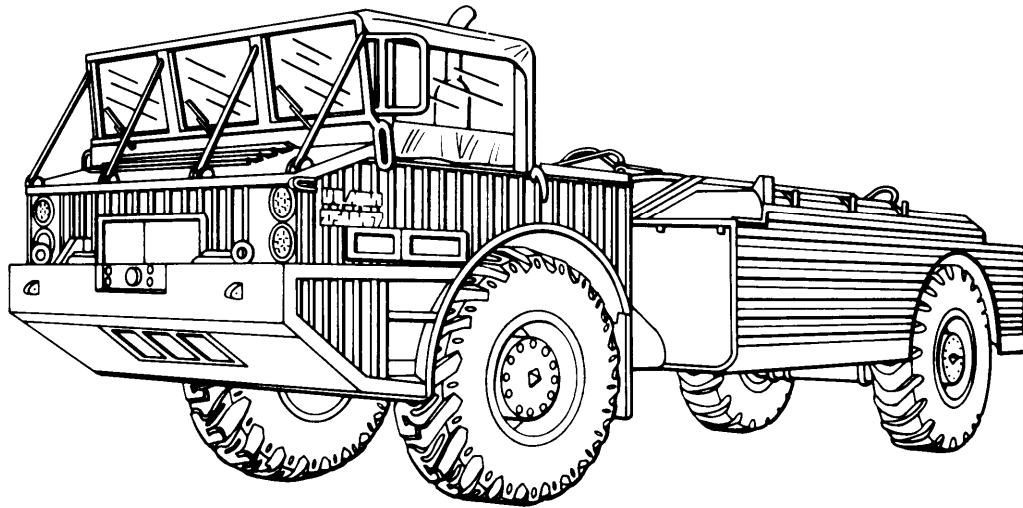
Winch: Yes

SHIPPING DATA

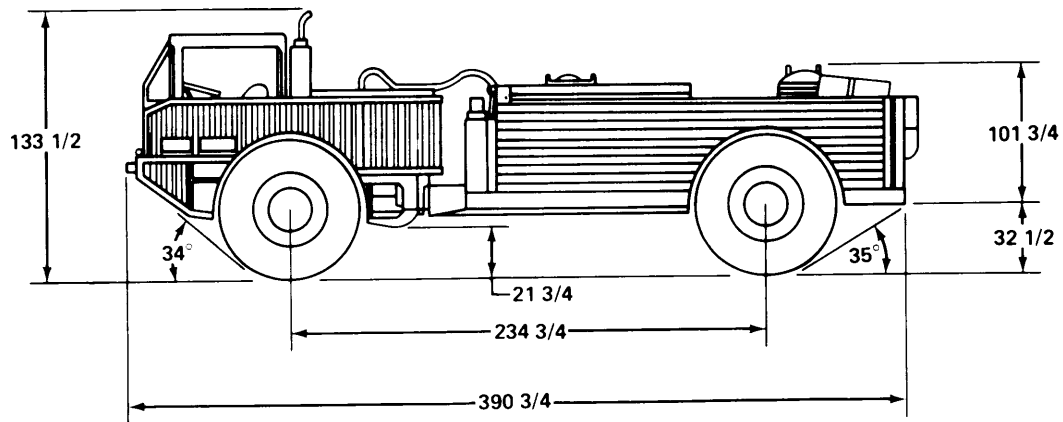
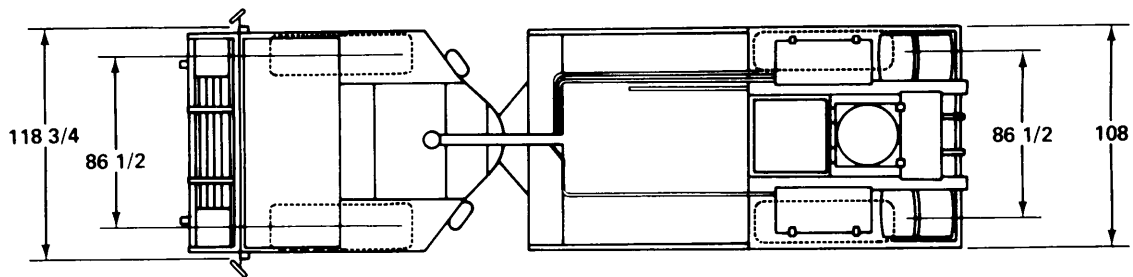
Weight: 28,100 lb

Cube: 2,711 cu ft

Ground Clearance: 21 3/4 in



NOTE:
ALL DIMENSIONS ARE IN INCHES.



TA208677

PURPOSE: To provide a tactical wheeled vehicle which gives high mobility to 2,500 gallons of fuel.

GENERAL INFORMATION

Nomenclature: TRUCK, TANK: 22 1/2-Ton,
Fuel Servicing, 4x4, 2,500 Gal,
WO/Winch, W/E

Model Number: M559

Crew/Cab Capacity: 2

NSN: 2320-00-445-7250

LIN: X58078

SSN: D162020

TM: 9-2320-233-Series

CHARACTERISTICS

Horsepower: 213 bhp @ 2,200 rpm

Transmission: Powershift; 6 Fwd, 1 Rev

Electrical System: 24 Volt

Tires: 18:00 x 33, 10-ply

Brakes: Air, internal expanding shoe

Blackout Lights: Yes

PERFORMANCE DATA

Fording:

W/Kit: Swims

WO/Kit:

Approach Angle: 34 Degrees

VEHICLE DATA

Type Classification & Date: Std A, 1966

Replaces:

Life Expectancy: 20 Years

Payload: 16,000 lb

Towed Load Allowance: 20,000 lb

Air Transportability: Phase II

EQUIPMENT OPTIONS

Kits: Personnel Heater, Arctic Kit, Gun Ring
Mounting, Infrared Filter, Warning Light

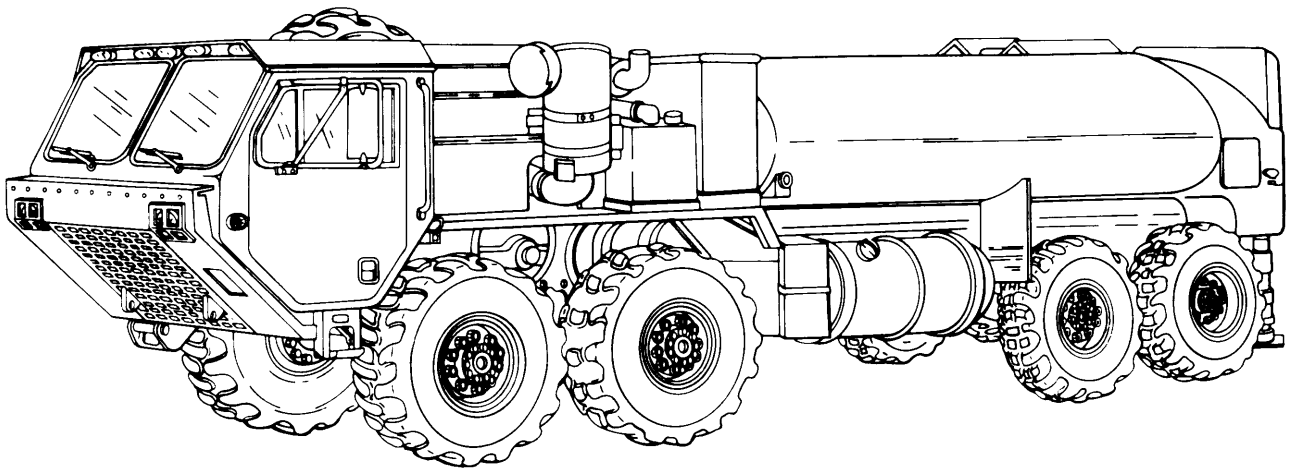
Winch: No

SHIPPING DATA

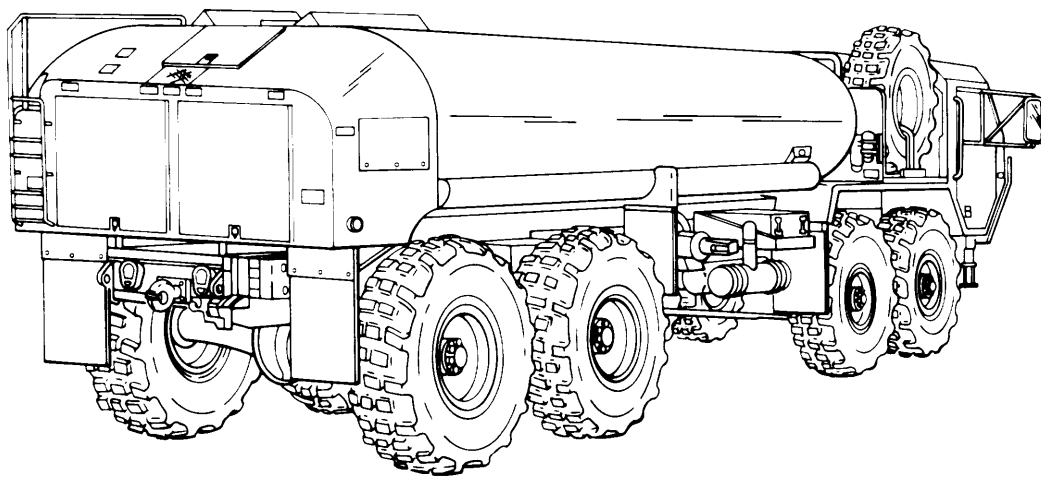
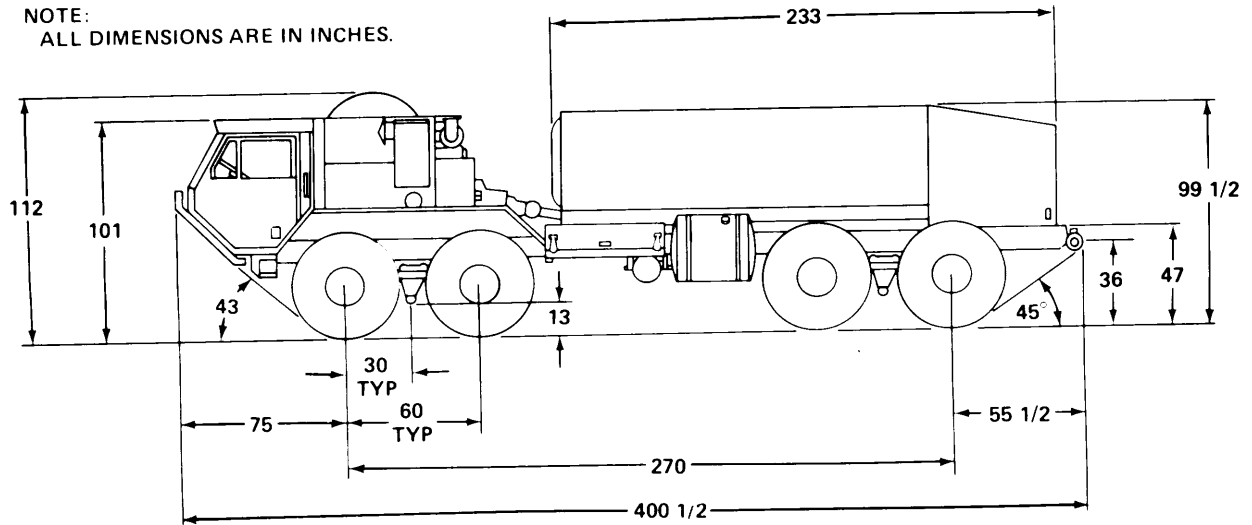
Weight: 28,100 lb

Cube: 2,468 cu ft

Ground Clearance: 21314 in



NOTE:
ALL DIMENSIONS ARE IN INCHES.



TA208708

PURPOSE: Tanker truck used for refueling.

GENERAL INFORMATION

Nomenclature: TRUCK, TANK:
22 1/2-Ton, Fuel Servicing, 8x8,
2,500 Gal, HEMTT, W/Winch

Model Number: M978

Crew/Cab Capacity: 2

NSN: 2320-01-097-0249

LIN: T58161

SSN: D162020

TM: 9-2320-279-Series

CHARACTERISTICS

Horsepower: 445 bhp @ 2,100 rpm

Transmission: Automatic; Allison 740-HD

Electrical System: 24 Volt, 12 Pin

Tires: Michelin 16:00 x R20XL

Brakes: Air, 16.5 x 5F, 16.5 x 7R

Blackout Lights: Yes

PERFORMANCE DATA

Fording:

W/Kit:

WO/Kit: 48 in

Approach Angle: 43 Degrees

Departure Angle: 45 Degrees

Cruising Range: 300 miles

PERFORMANCE DATA - Continued

Maximum:

Sustained Forward Speed (at 2,100 rpm)

4th Gear: 57 mph

3rd Gear: 41 mph

2nd Gear: 28 mph

1st Gear: 15 mph

Speed on 3 Percent Grade: 40 mph

30 Percent Grade: 5 mph

Grade: 60 Percent

Side Slope W/Adequate Tractive

Surface: 30 Percent

Towed Speed (Reference FM 20-22): 15 mph

VEHICLE DATA

Type Classification & Date: Std A, 1980

Replaces/Replaced By: Augments Goer

Life Expectancy: 20 Years

Payload: 18,000 lb

Towed Load Allowance: 40,000 lb

Air Transportability: C5, C141, and C130
Aircraft

EQUIPMENT OPTIONS

Kits: Arctic, Alternator, GPFU, Radio, M8
Alarm, Machine Gun

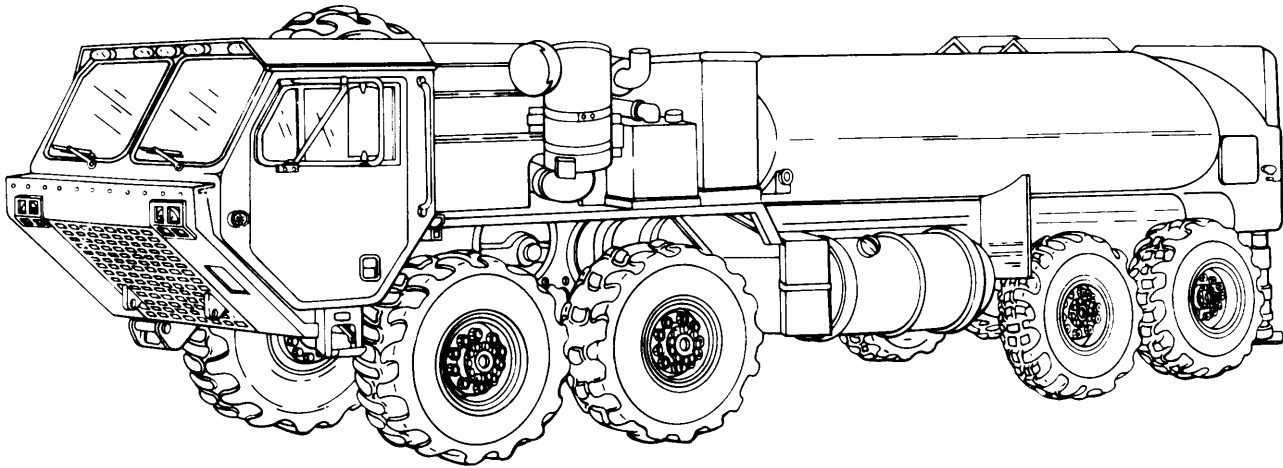
Winch: Self Recovery

SHIPPING DATA

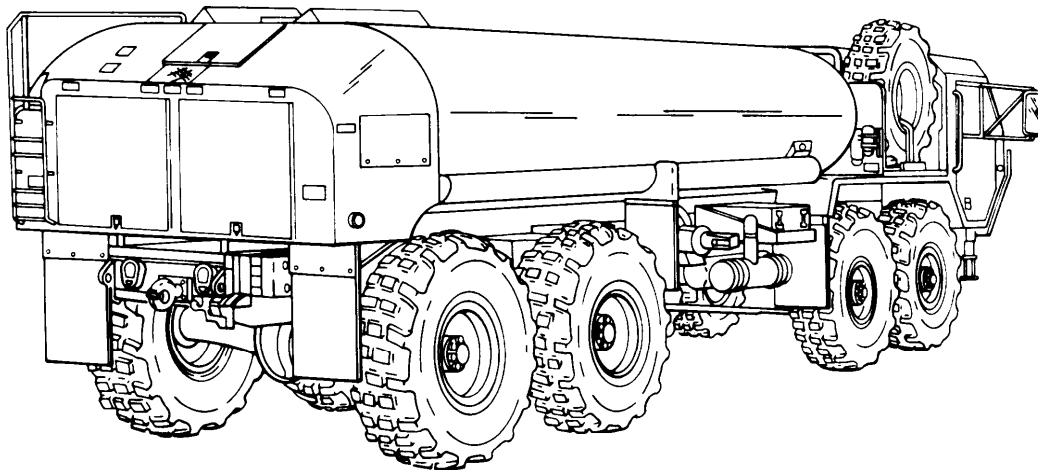
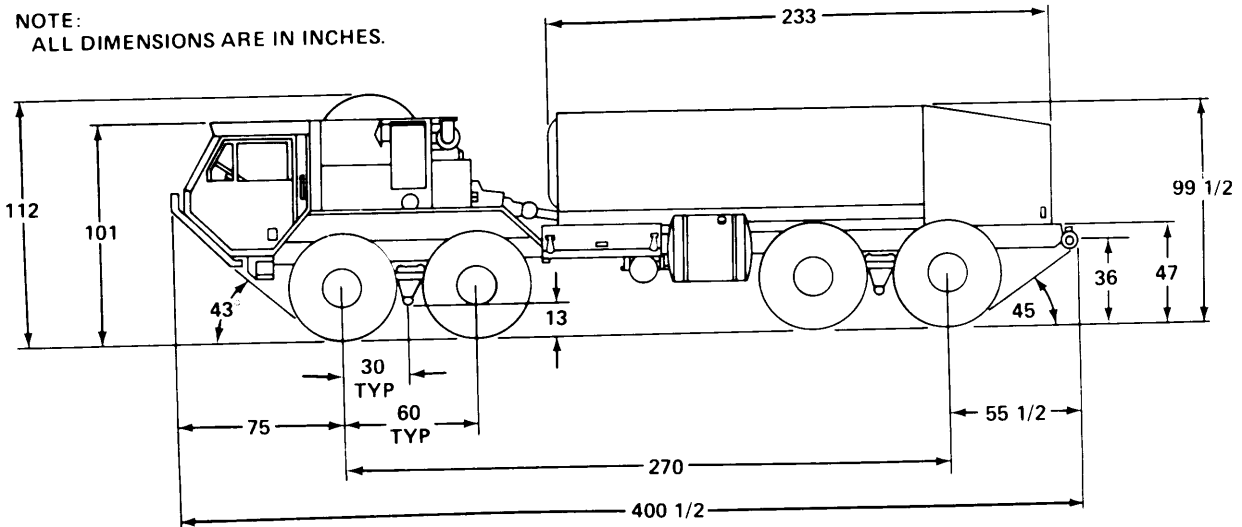
Weight: 37,000 lb

Cube: 2,500 cu ft

Ground Clearance: 24 in



NOTE:
ALL DIMENSIONS ARE IN INCHES.



TA208709

PURPOSE: Tanker truck used for refueling.

GENERAL INFORMATION

Nomenclature: TRUCK, TANK: 22 1/2-Ton, Fuel Servicing, 8x8, 2,500 Gal, HEMTT, WO/Winch

Model Number: M978

Crew/Cab Capacity: 2

NSN: 2320-01-100-7672

LIN: T87243

SSN: D162020

TM: 9-2320-279-Series

CHARACTERISTICS

Horsepower: 445 bhp @ 2,100 rpm

Transmission: Automatic; Allison 740-HD

Electrical System: 24 Volt, 12 Pin

Tires: Michelin 16:00 x R20XL

Brakes: Air, 16.5 x 5F, 16.5 x 7R

Blackout Lights: Yes

PERFORMANCE DATA

Fording:

W/Kit:

WO/Kit: 48 in

Approach Angle: 43 Degrees

Departure Angle: 45 Degrees

Cruising Range: 300 miles

PERFORMANCE DATA - Continued

Maximum:

Sustained Forward Speed (at 2,100 rpm)

4th Gear: 57 mph

3rd Gear: 41 mph

2nd Gear: 28 mph

1st Gear: 15 mph

Speed on 3 Percent Grade: 40 mph

30 Percent Grade: 5 mph

Grade: 60 Percent

Side Slope W/Adequate Tractive

Surface: 30 Percent

Towed Speed (Reference FM 20-22): 15 mph

VEHICLE DATA

Type Classification & Date: Std A, 1980

Replaces/Replaced By: Augments Goer

Life Expectancy: 20 Years

Payload: 18,000 lb

Towed Load Allowance: 40,000 lb

Air Transportability: C5, C141, and C130 Aircraft

EQUIPMENT OPTIONS

Kits: Arctic, Alternator, GPFU, Radio, M8 Alarm, Machine Gun

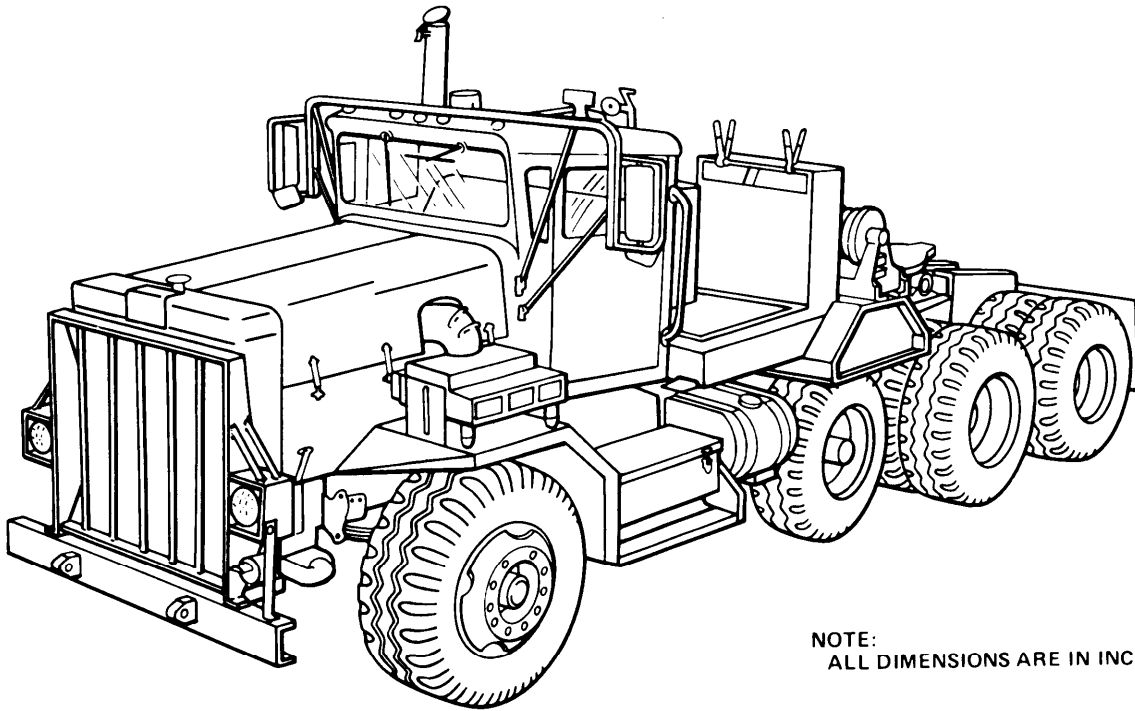
Winch:

SHIPPING DATA

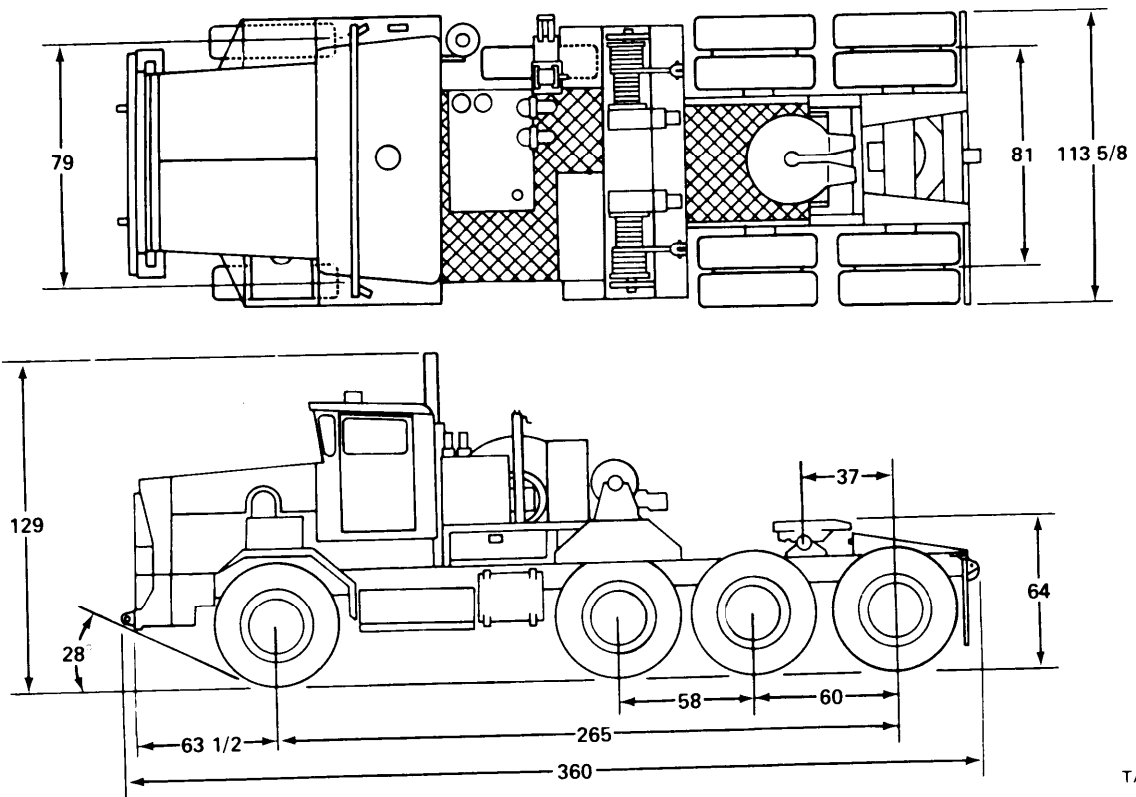
Weight: 35,889 lb

Cube: 2,500 cu ft

Ground Clearance: 13 in



NOTE:
ALL DIMENSIONS ARE IN INCHES.



TA208651

PURPOSE: To provide line-haul, local haul, and maintenance evacuation of heavy tracked and wheeled equipment.

GENERAL INFORMATION

Nomenclature: TRUCK, TRACTOR: 22 1/2-Ton Commercial Heavy Equipment Transporter (C-HET), 8x6, 85,952 GVW/R

Model Designation: M911

Crew/Cab Capacity: 3

NSN: 2320-01-025-3733

LIN: T61035

SSN: D101010

TM: 9-2320-270-Series

CHARACTERISTICS

Engine: Diesel, 430 hp

Horsepower: 430 bhp @ 2,100 rpm

Transmission: Automatic W/Hydraulic Retarder and Lock-Up Clutch; 5 Fwd 1 Rev

Electrical System: 24 Volt

Tires: 14:00 x 24, Ply-j/18

Brakes: Dual System - Air Mechanical, Wedge Cam Front, Rotary Cam Rear

Blackout Lights: Yes

PERFORMANCE DATA

Fording: Hard Bottom Water Body

W/Kit: N/A

WO/Kit: 28 in

Approach Angle: 28 Degrees

Departure Angle: Unlimited

I SAE Std Conditions

VEHICLE DATA

Type Classification & Date: Std A, 1977

Augment: M746

Life Expectancy: 14 Years

Payload: 106,000 lb

Towed Load Allowance: 106,000 lb

Air Transportability: C-5A

EQUIPMENT OPTIONS

Kits:

Winch: Two-Midship and Rear Deploy 45,000 lb Load Capacity

SHIPPING DATA

Curb Weight: 39,952 lb

Cube: 3,034 cu ft

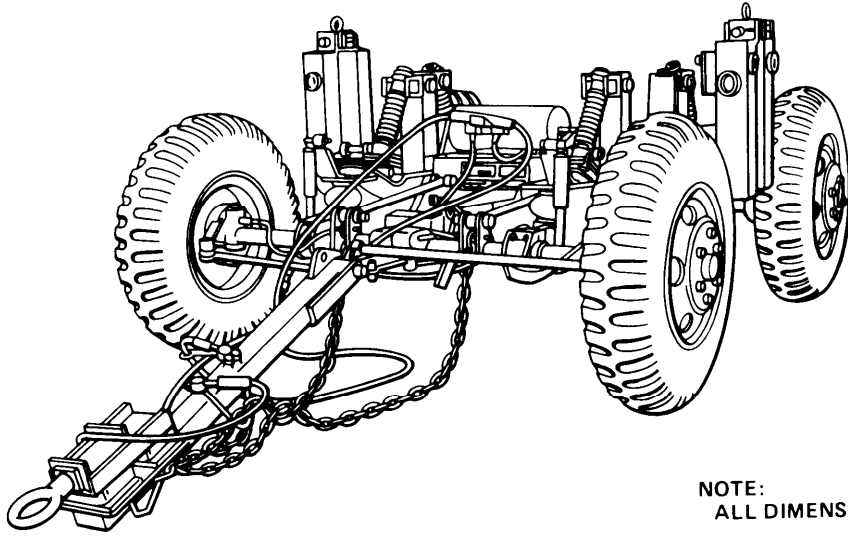
Ground Clearance: 14.0 in

Fifth Wheel Height: 64 in

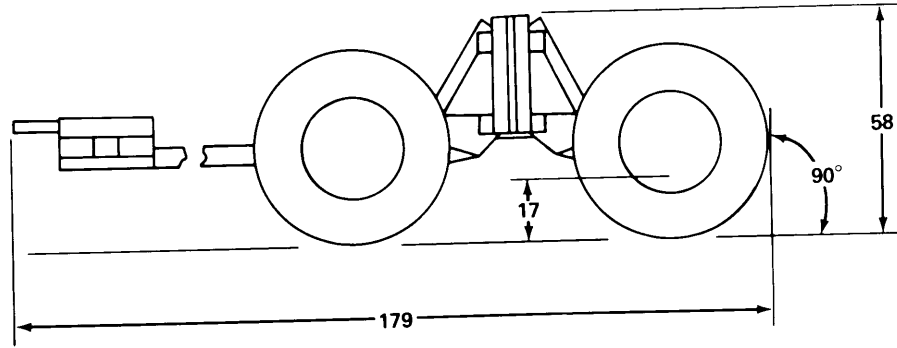
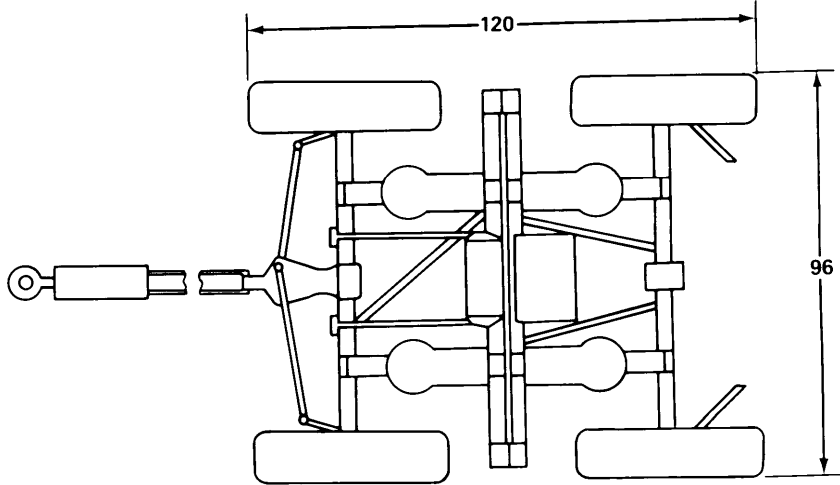
Chapter 5

DOLLY AND DOLLY SET (CLASS 2330)

Type	Model	Page
DOLLY SET, LIFT, TRANSPORTABLE, SHELTER: 3-TON	M689	5-3
DOLLY SET, LIFT, TRANSPORTABLE, SHELTER: 4-1/2-TON	M720	5-5
DOLLY SET, LIFT, TRANSPORTABLE, SHELTER (MUST): W/E 5-1/4-TON	M840	5-7
DOLLY SET, LIFT, TRANSPORTABLE, SHELTER: 6-TON	M832	5-9
DOLLY, TRAILER CONVERTER: 2 Wheel 8-TON	M197A1	5-11
DOLLY, TRAILER CONVERTER: 2 Wheel DOLLY, TRAILER CONVERTER: 2 Wheel 18-TON	M 198 M198A1	5-13 5-15
DOLLY, TRAILER CONVERTER: 4 Wheel, W/E	M354	5-17/ (5-18 blank)



NOTE:
ALL DIMENSIONS ARE IN INCHES.



TA208698

PURPOSE: Movement and air shipment of electrical equipment shelters.

GENERAL INFORMATION

Nomenclature: DOLLY SET, LIFT, TRANSPORTABLE, SHELTER:

Model Number: M689

NSN: 2330-00-226-6076

LIN: G34815

SSN: D013010

TM: 9-2330-275-Series

CHARACTERISTICS

Electrical System: 12 Volt, 24 Volt

Tires: 9:00 x 20, 8-ply

Brakes: Air over hydraulic

Blackout Lights: Yes

PERFORMANCE DATA

Fording: Fully submersible

W/Kit: None

WO/Kit:

Approach Angle: 80 Degrees

Departure Angle: 90 Degrees

VEHICLE DATA

Type Classification & Date: Std B, 1965

Replaces/Replaced By: M832

Life Expectancy: 25 Years

Payload: 10,500 lb

Air Transportability: Phase II

EQUIPMENT OPTIONS

Kits:

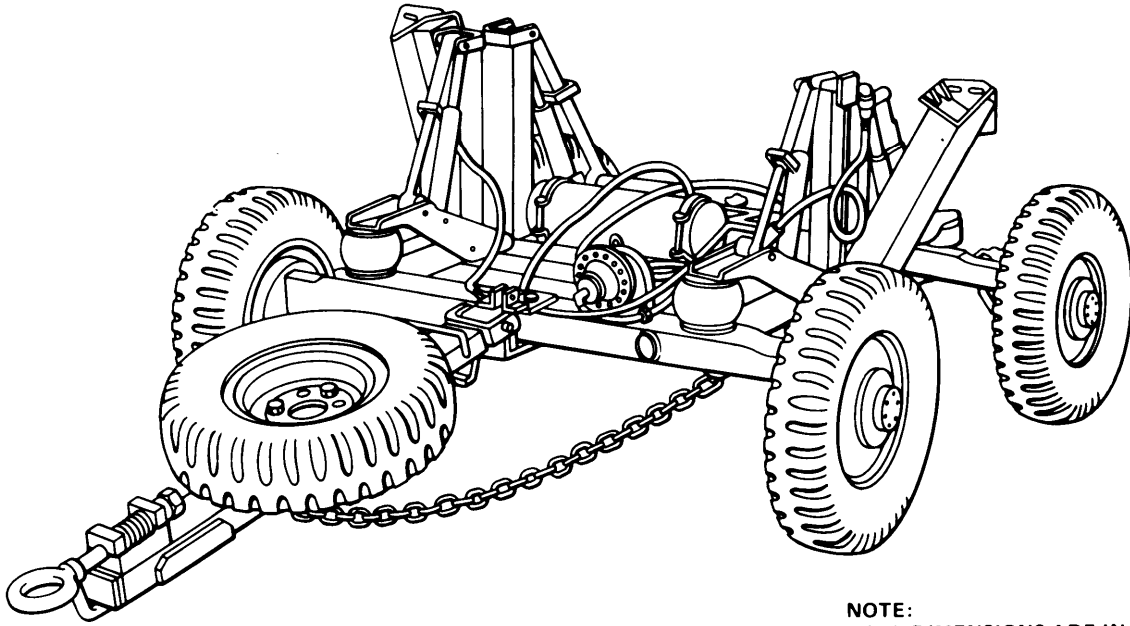
SHIPPING DATA

Weight: 3,570 lb

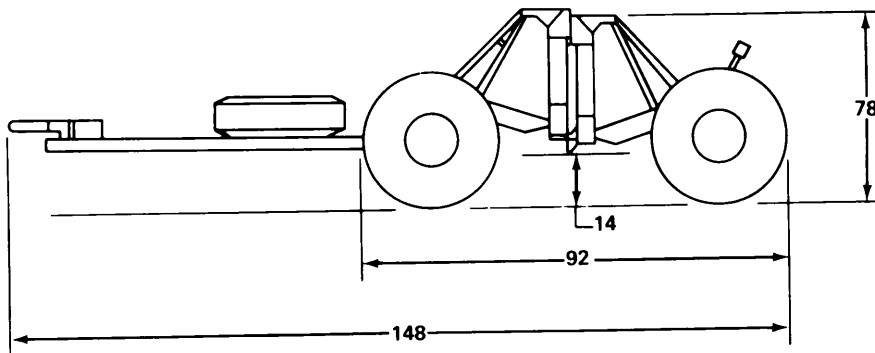
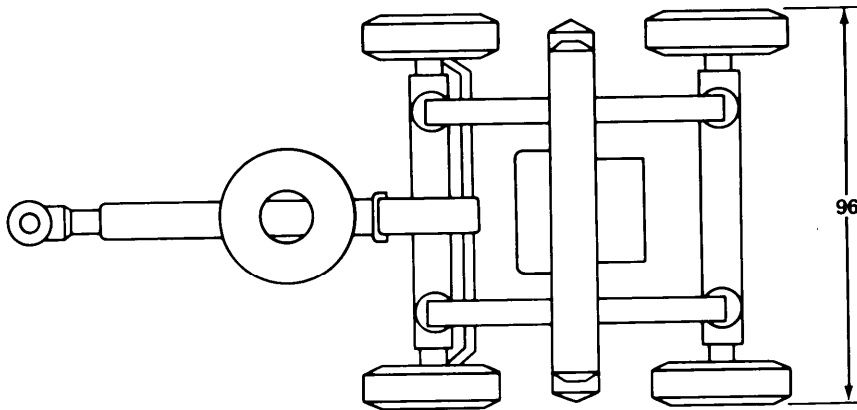
Cube: 543 cu ft

Ground Clearance: 17 in

Lunette Height: 31 in



NOTE:
ALL DIMENSIONS ARE IN INCHES.



TA208733

PURPOSE: This dolly set is employed by various units organic to Airborne and Airmobile Divisions, Airborne and Light Infantry Brigades. It is used as a mobilizer for compatible portable shelters.

GENERAL INFORMATION

Nomenclature: DOLLY SET, LIFT, TRANS-PORTABLE SHELTER: 3 Ton

Model Number: M720

NSN: 2330-00-912-4251

LIN: G34805

SSN: D011010

TM: 9-2330-285-14

VEHICLE DATA

Type Classification & Date: Std A, 1972

Replaces/Replaced By:

Life Expectancy: 25 Years

Payload: 6,000 lb

Air Transportability: Phase II

CHARACTERISTICS

Electrical System: 12 Volt, 24 Volt

Tires: 7:00 x 16

Brakes: Air over hydraulic

Blackout Lights: Yes

EQUIPMENT OPTIONS

Kits:

PERFORMANCE DATA

Fording: Submersible running gear

W/Kit:

WO/Kit:

Approach Angle: 60 Degrees

Departure Angle: 90 Degrees

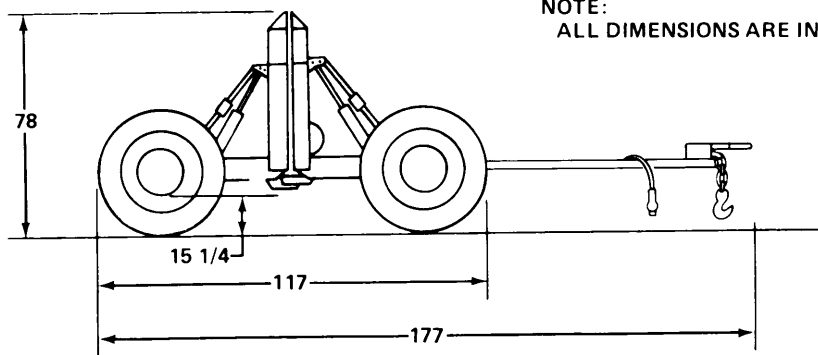
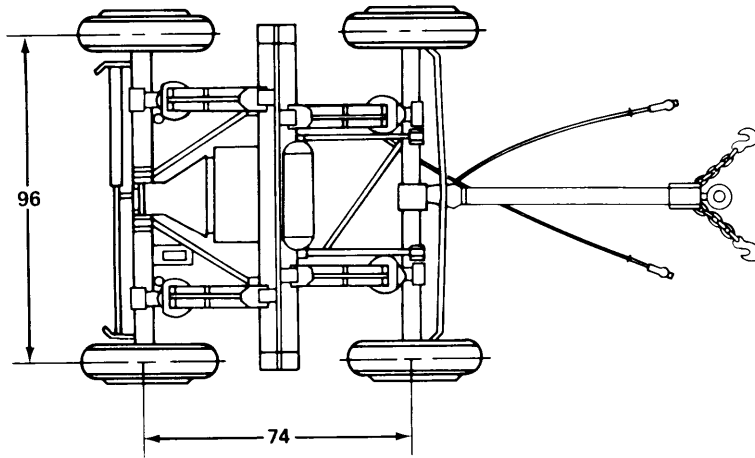
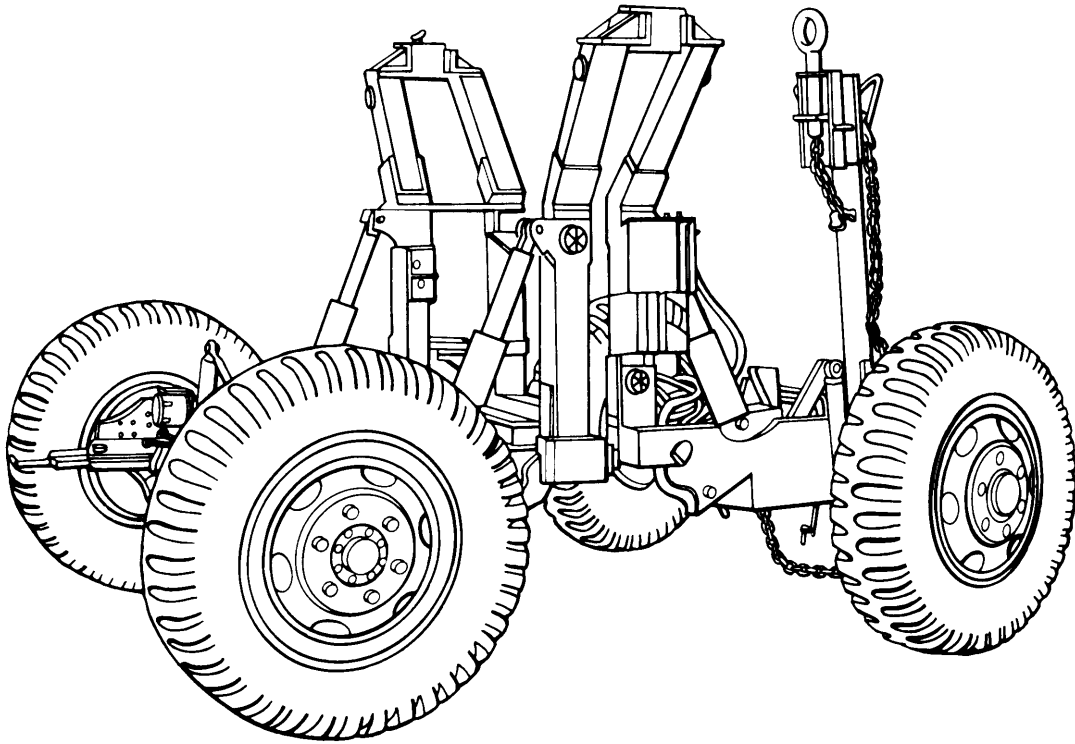
SHIPPING DATA

Weight: 1,770 lb

Cube: 230 cu ft

Ground Clearance: 14 in

Lunette Height: 31 in



NOTE:
ALL DIMENSIONS ARE IN INCHES.

TA208728

PURPOSE: MUST hospital carrier.

GENERAL INFORMATION

Nomenclature: DOLLY SET, LIFT TRANS-PORTABLE SHELTER (MUST); 4 1/2-Ton W/E

Model Number: M840

NSN: 2330-00-937-1175

LIN: G34741

SSN: D001010

TM: 9-2330-275-14&P

CHARACTERISTICS

Electrical System: 24 Volt

Tires: 9:00 x 20, 8-ply

Brakes: Air over hydraulic

Blackout Lights: Yes

PERFORMANCE DATA

Fording:

W/Kit:

WO/Kit: 41 in

Approach Angle:

Departure Angle: 90 Degrees

VEHICLE DATA

Type Classification & Date: Std A, 1972

Replaces/Replaced By:

Life Expectancy: 25 Years

Payload: 9,000 lb

Air Transportability: Phase I I

EQUIPMENT OPTIONS

Kits:

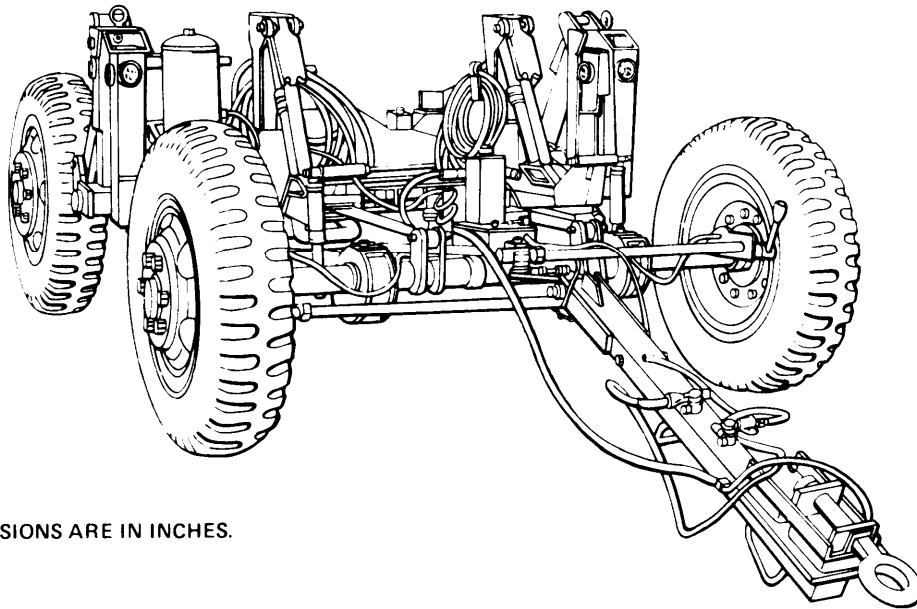
SHIPPING DATA

Weight: 3,173 lb

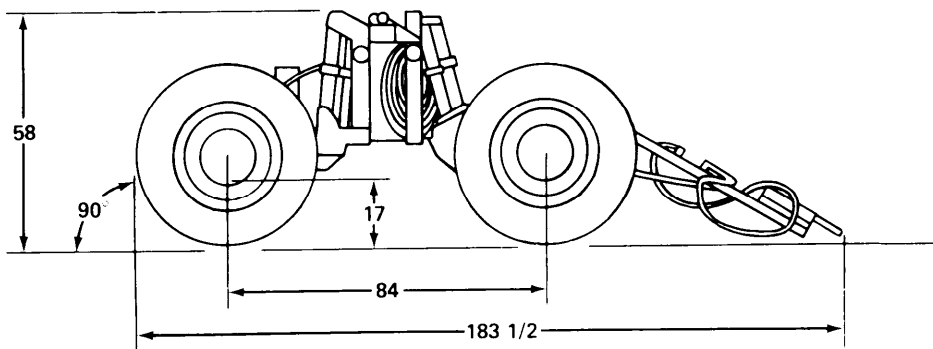
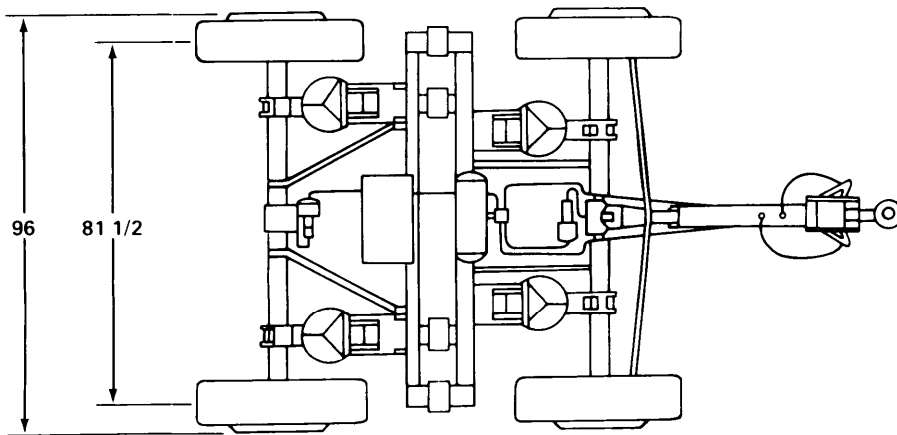
Cube: w/tongue: 767 cu ft
we/tongue: 507 cu ft

Ground Clearance: 15 1/4 in

Lunette Height: 31 in



NOTE:
ALL DIMENSIONS ARE IN INCHES.



TA208734

PURPOSE: Shelter transport.

GENERAL INFORMATION

Nomenclature: DOLLY SET, LIFT, TRANSPORTABLE SHELTER: 5 1/4-Ton

Model Number: M832

NSN: 2330-00-221-4939

LIN: G34815

SSN: 0013000

TM: 9-2330-275-14&P

CHARACTERISTICS

Electrical System: 24 Volt

Tires: 4, 9:00 x 20

Brakes: Air over hydraulic

Blackout Lights: Yes

PERFORMANCE DATA

Fording: Submersible

W/Kit:

WO/Kit:

Approach Angle:

Departure Angle: 90 Degrees

VEHICLE DATA

Type Classification & Date: Std A, 1978'

Replaces: M689

Life Expectancy: 25 Years

Payload: 10,500 lb

Air Transportability: Phase I I

EQUIPMENT OPTIONS

Kits:

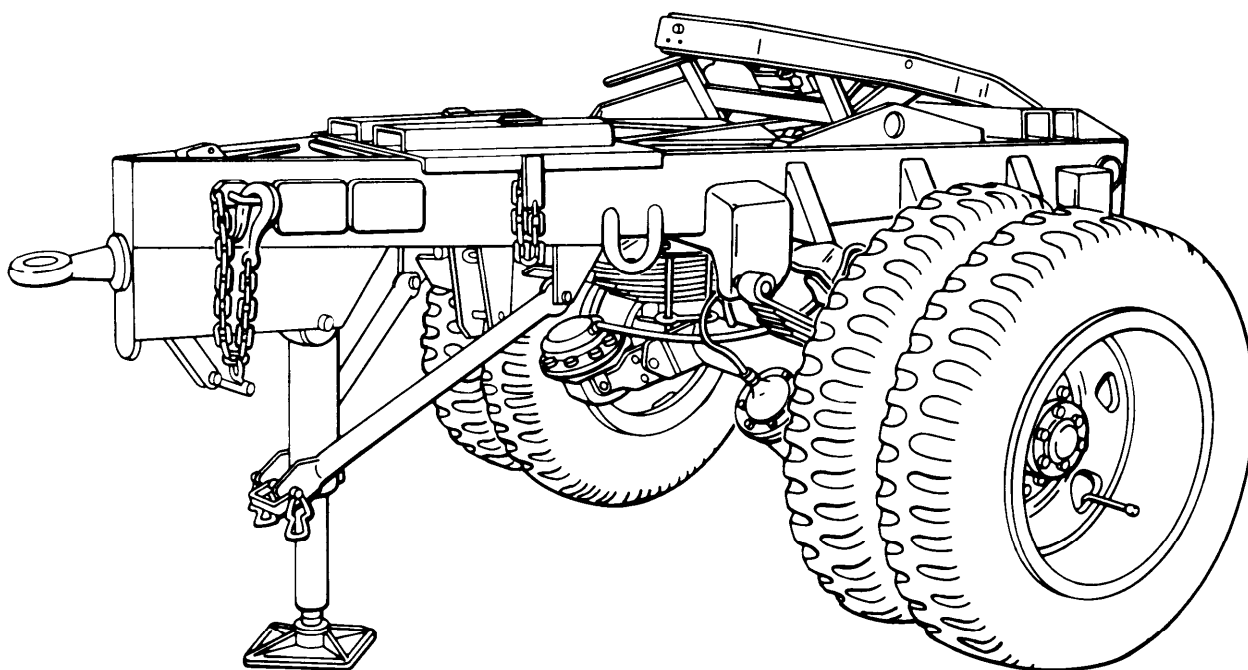
SHIPPING DATA

Weight: 3,700 lb

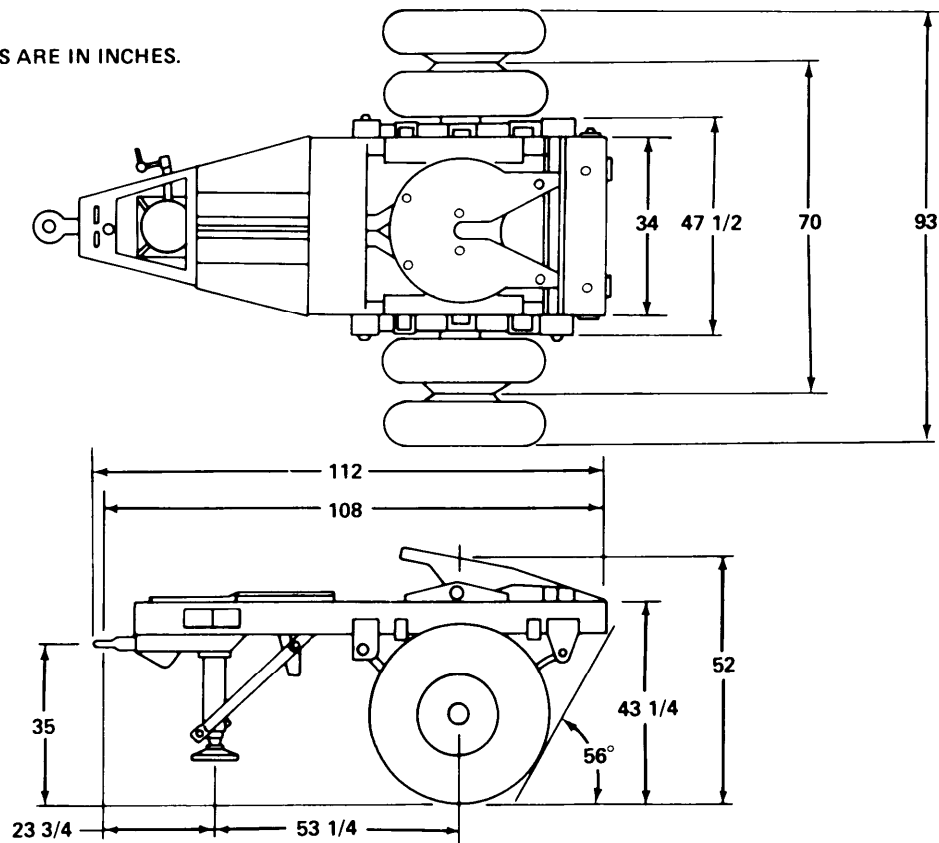
Cube: 530 cu ft

Ground Clearance: 17 in

Lunette Height: 31 in



NOTE:
ALL DIMENSIONS ARE IN INCHES.



TA208611

PURPOSE: This dolly is employed by combat service support units to move semitrailers in a local terminal environment.

GENERAL INFORMATION

Nomenclature: DOLLY, TRAILER CONVERTER 6-Ton, 2 Wheel

Model Number: M197A1

NSN: 2330-00-569-0782

LIN: G35089

SSN: D012010

TM: 9-2330-203-14

CHARACTERISTICS

Electrical System: 24 Volt

Tires: 4, 9:00 x 20 Duals, 8-ply NDCC

Brakes: Air over hydraulic

Blackout Lights: Yes

PERFORMANCE DATA

Fording: Submersible

W/Kit:

WO/Kit:

Approach Angle:

Departure Angle: 56 Degrees

VEHICLE DATA

Type Classification & Date: Std A, 1958

Replaces: M197

Life Expectancy: 25 Years

Payload: 12,000 lb

Air Transportability: Phase II

EQUIPMENT OPTIONS

Kits:

SHIPPING DATA

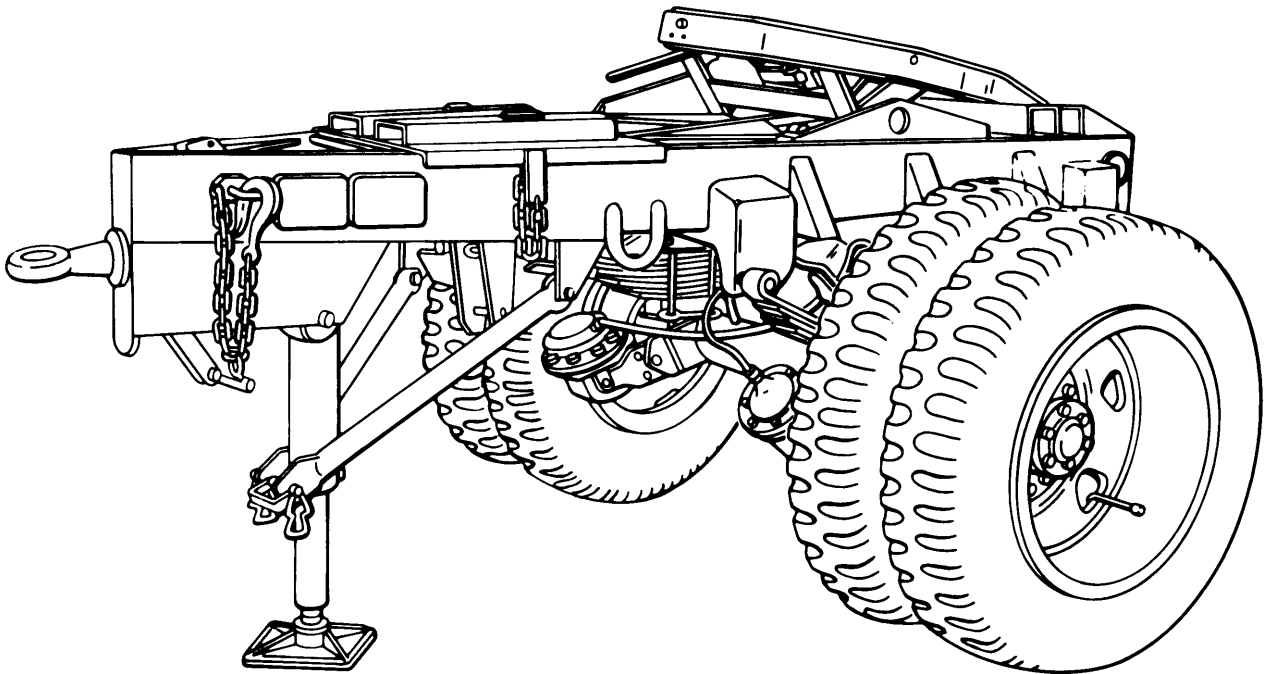
Weight: 2,970 lb

Cube: 312 cu ft

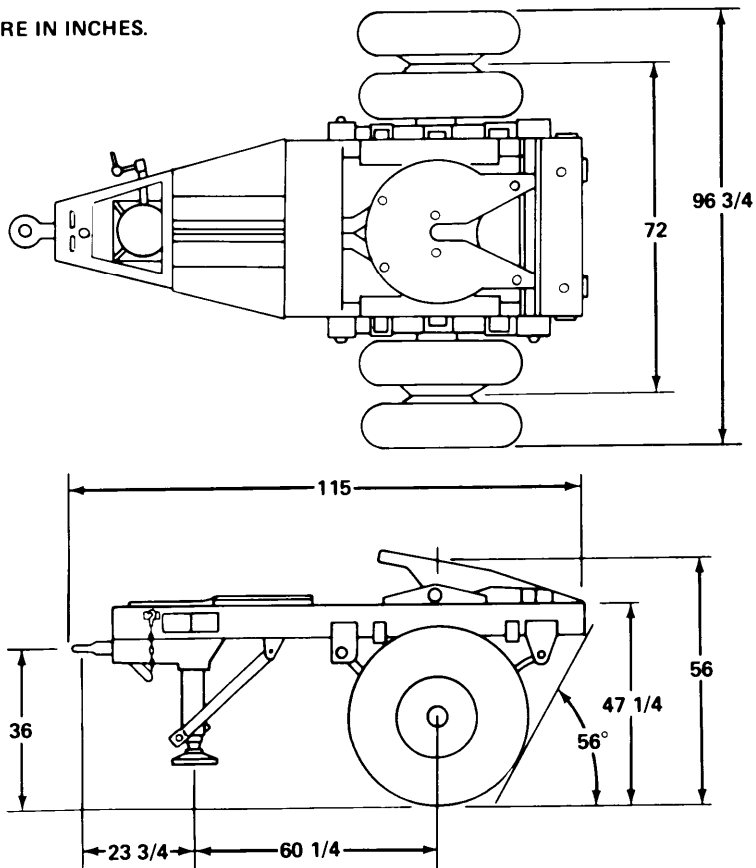
Ground Clearance: 17 1/2 in

Fifth Wheel Height: 52 in

Lunette Height: 35 in



NOTE:
ALL DIMENSIONS ARE IN INCHES.



TA208730

PURPOSE: Convert semitrailers into 4 wheel, 20-25 ton capacity trailers.

GENERAL INFORMATION

Nomenclature: DOLLY, TRAILER CONVERTER: Type Classification & Date: Std B, 1958
8-Ton, 2 Wheel

Model Number: M198

NSN: 2330-00-287-5203

LIN: G35226

SSN: D003010

TM: 9-2330-203-14

VEHICLE DATA

Replaced By: M198A1

Life Expectancy: 30 Years

Payload: 16,000 lb

Air Transportability: Phase III

CHARACTERISTICS

Electrical System: 24 Volt

Tires: 4, 11:00 x 20 Duals, 12-ply NDCC

Brakes: Air

Blackout Lights: Yes

EQUIPMENT OPTIONS

Kits:

PERFORMANCE DATA

Fording:

W/Kit:

WO/Kit: 43 1/2 in

Approach Angle:

Departure Angle: 56 Degrees

SHIPPING DATA

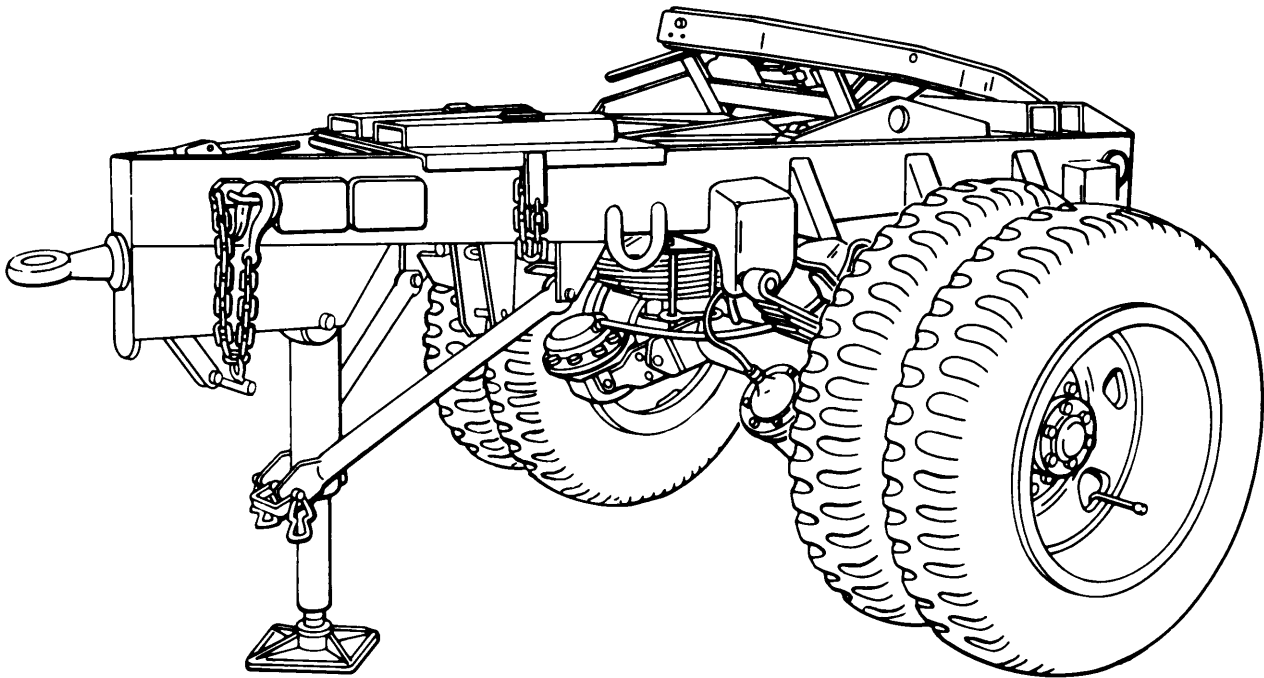
Weight: 3,250 lb

Cube: 349 cu ft

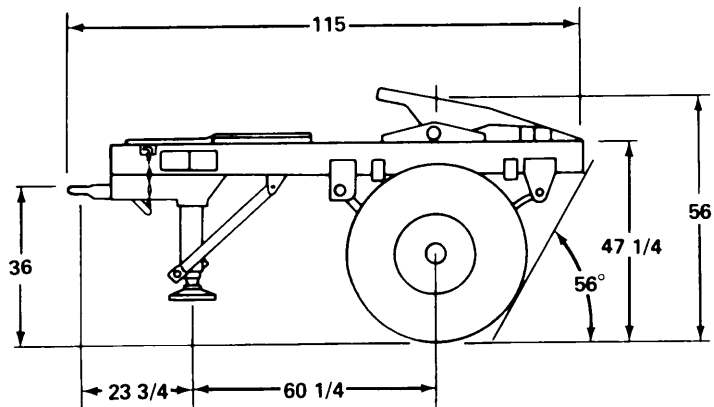
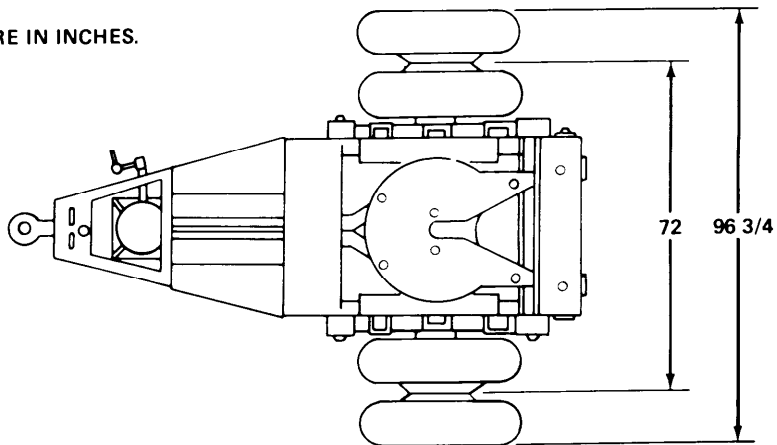
Ground Clearance: 19 in

Fifth Wheel Height: 56 in

Lunette Height: 36 in



NOTE:
ALL DIMENSIONS ARE IN INCHES.



TA208731

PURPOSE: Convert semitrailers into 4 wheel, 20-25 ton capacity trailers.

GENERAL INFORMATION

Nomenclature: DOLLY, TRAILER CONVERTER: **Type** Classification & Date: Std A, 1958
8-Ton, 2 Wheel

Model Number: M198A1

NSN: 2330-00-563-7248

LIN: G35226

SSN: D003010

TM: 9-2330-203-14

VEHICLE DATA

Replaces: M198

Life Expectancy: 30 Years

Payload: 16,000 lb

Transportability: Phase III

CHARACTERISTICS

Electrical System: 24 Volt

Tires: 4, 11:00 x 20 Duals, 12-ply NDCC

Brakes: Air over hydraulic

Blackout Lights: Yes

EQUIPMENT OPTIONS

Kits:

PERFORMANCE DATA

Fording:

W/Kit:

WO/Kit: 43 1/2 in

Approach Angle:

Departure Angle: 56 Degrees

SHIPPING DATA

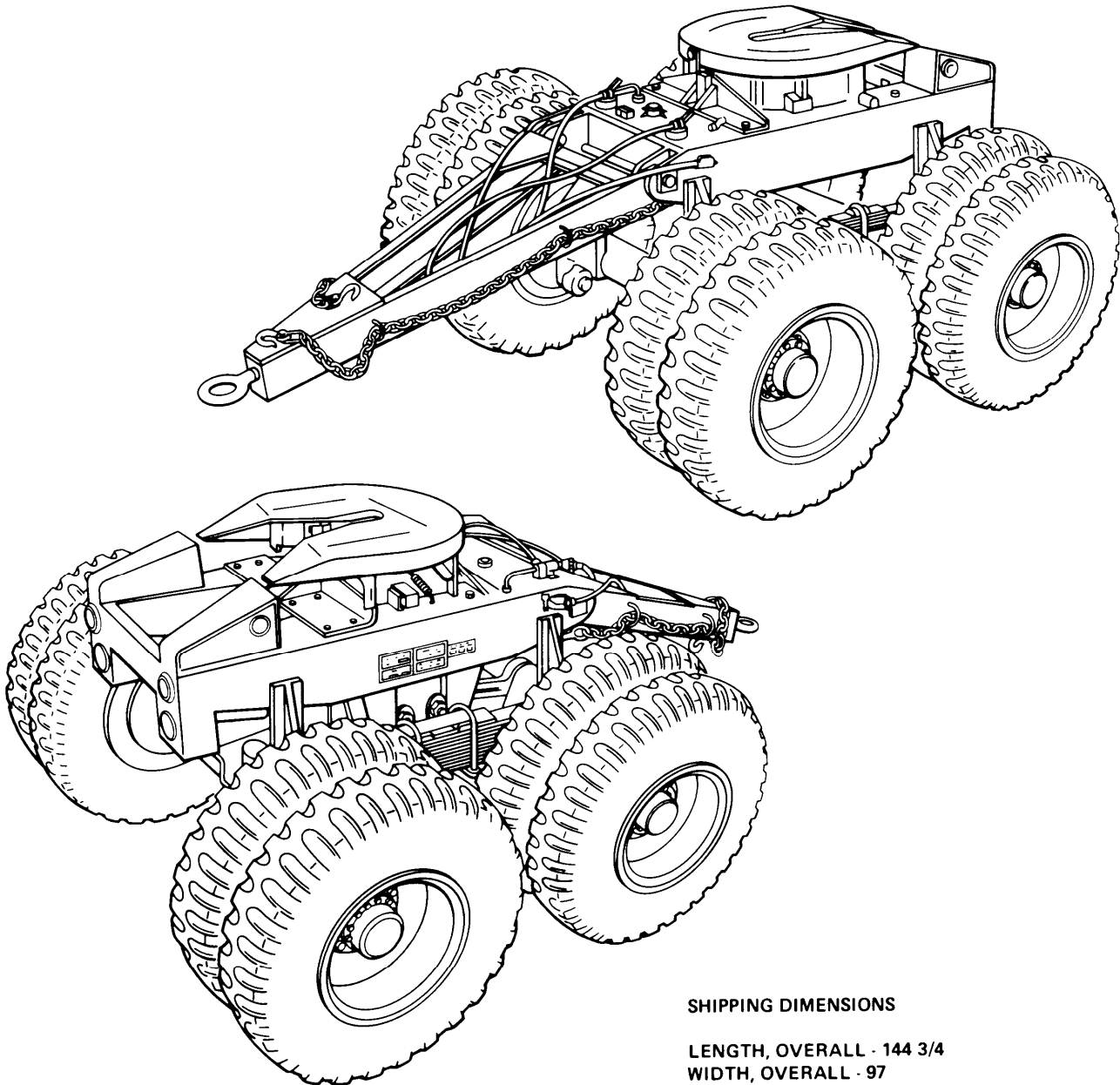
Weight: 3,250 lb

Cube: 349 cu ft

Ground Clearance: 19 in

Fifth Wheel Height: 56 in

Lunette Height: 36 in



SHIPPING DIMENSIONS

LENGTH, OVERALL - 144 3/4
WIDTH, OVERALL - 97
WIDTH, TREAD, CENTER TO CENTER - 72 1/4
HEIGHT TO TOP OF FIFTH WHEEL - 60
LENGTH WITH DRAWBAR REMOVED - 84
WHEEL BASE, CENTER TO CENTER AXLES - 52
CENTER OF LUNETTE TO CENTER
OF TRUNNION AXLE - 96 3/4
LENGTH OF DRAWBAR WITHOUT
LUNETTE - 60 3/4
LUNETTE EYE HEIGHT WITH
DRAWBAR LEVEL - 29

NOTE:
ALL DIMENSIONS ARE IN INCHES.

TA209096

PURPOSE: Convert semitrailer to full trailer.

GENERAL INFORMATION

Nomenclature: DOLLY, TRAILER CONVERTER:
18-Ton, 4 Wheel, W/E

Model Number: M354

NSN: 2330-00-709-5848

LIN: G35363

SSN: DO0400

TM: 9-2330-258-14

VEHICLE DATA

Type Classification & Date: Std A, 1972

Replaces: M199

Life Expectancy: 14 Years

Payload: 36,100 lb

Air Transportability: Phase III

CHARACTERISTICS

Electrical System: 24 Volt

Tires: 11:00 x 20, 12-ply

Brakes: Air over hydraulic

Blackout Lights:

EQUIPMENT OPTIONS

Kits:

PERFORMANCE DATA

Fording:

W/Kit: Submersible

WO/Kit:

Approach Angle: N/A

SHIPPING DATA

Weight: 6,100 lb

Cube: 487 cu ft

Ground Clearance:

Fifth Wheel Height: 60 in

Lunette Height: 29 in

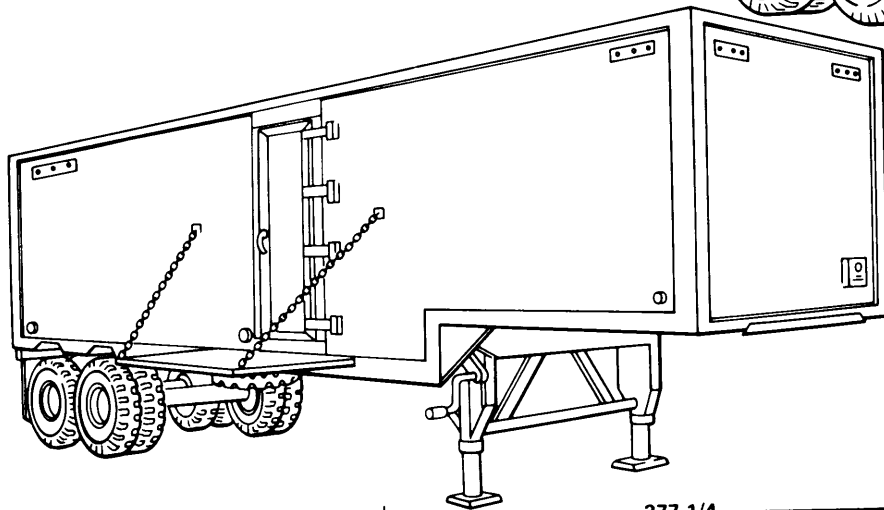
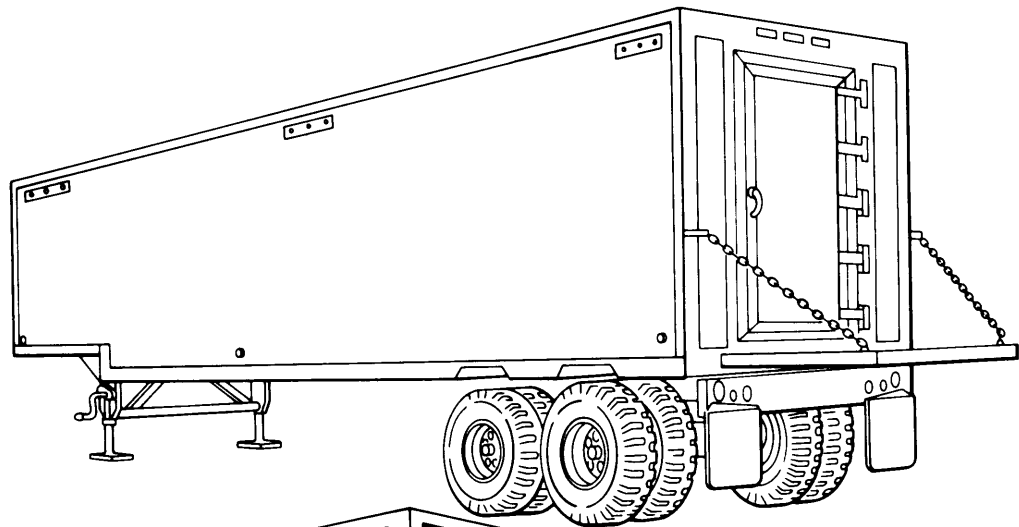
Chapter 6

SEMITRAILERS (CLASS 2330)

Type	Model	Page
4-1/2-TON		
SEMITRAILER, VAN: Electronic, Tactical, NBC Hardened, 4 Wheel	XM1006	6-5
6-TON		
SEMITRAILER, CHASSIS: 4 Wheel	M295A1	6-7
SEMITRAILER, STAKE: 2 Wheel	MI 118A	6-9
SEMITRAILER, VAN: Cargo, 2 Wheel	M119A1	6-11
SEMITRAILER, VAN: Electronic, Tactical 30 Foot, 4 Wheel	M373A2	6-13
SEMITRAILER, VAN: Electronic, 2 Wheel	M373A2C	6-15
SEMITRAILER, VAN: Electronic, Tactical 26 Foot, 2 Wheel	M348A2	6-17
SEMITRAILER, VAN: Expansible, 4 Wheel	M313	6-19
SEMITRAILER, VAN: Repair Parts Storage, 4 Wheel	M750	6-21
SEMITRAILER, VAN: Shop, 2 Wheel	M146	6-23
SEMITRAILER, VAN: Shop, Folding Sides, 4 Wheel	M447	6-25
SEMITRAILER, VAN: Shop, Folding Sides, 4 Wheel	M447C	6-27
7-1/2-TON		
SEMITRAILER, VAN: Refrigerator, 2 Wheel	M349A1	6-29
10-TON		
SEMITRAILER, VAN: 4 Wheel	XM971	6-31
SEMITRAILER, VAN: 4 Wheel	XM991	6-33
SEMITRAILER, VAN: 4 Wheel	XM995	6-35
SEMITRAILER, VAN: Electronic, 4 Wheel	XM574	6-37
1 2-TON		
SEMITRAILER, CHASSIS: 4 Wheel	M126A20	6-39
SEMITRAILER, LOWBED: Wrecker, 4 Wheel	M269	6-41
SEMITRAILER, LOWBED: Wrecker, 4 Wheel, W/E	M269A1	6-43
SEMITRAILER, LOWBED: Wrecker, 4 Wheel	M270	6-45
SEMITRAILER, LOWBED: Wrecker, 4 Wheel	M270A1	6-47
SEMITRAILER, STAKE: 4 Wheel, W/E	M127	6-49
SEMITRAILER, STAKE: 4 Wheel	M127A1	6-51
SEMITRAILER, STAKE: 4 Wheel	M127A10	6-53
SEMITRAILER, STAKE: 4 Wheel	M127A20	6-55
SEMITRAILER, TANK: Fuel, Servicing, 5,000 Gal, 4 Wheel	M131A5	6-57
SEMITRAILER, TANK: Fuel, Servicing, 5,000 Gal, 4 Wheel	M131A50	6-59
SEMITRAILER, TANK: Bulk Haul, 5,000 Gal, Self Load/Unload	M967A1	6-61
SEMITRAILER, TANK: Fuel Dispensing, 5,000 Gal, Automotive	M969A1	6-63
SEMITRAILER, TANK: Fuel Dispensing, 5,000 Gal, Under/Over Wing Aircraft	M970A1	6-65
SEMITRAILER, VAN: Cargo, 4 Wheel	M128A10	6-67

SEMITRAILERS (CLASS 2330) - Continued

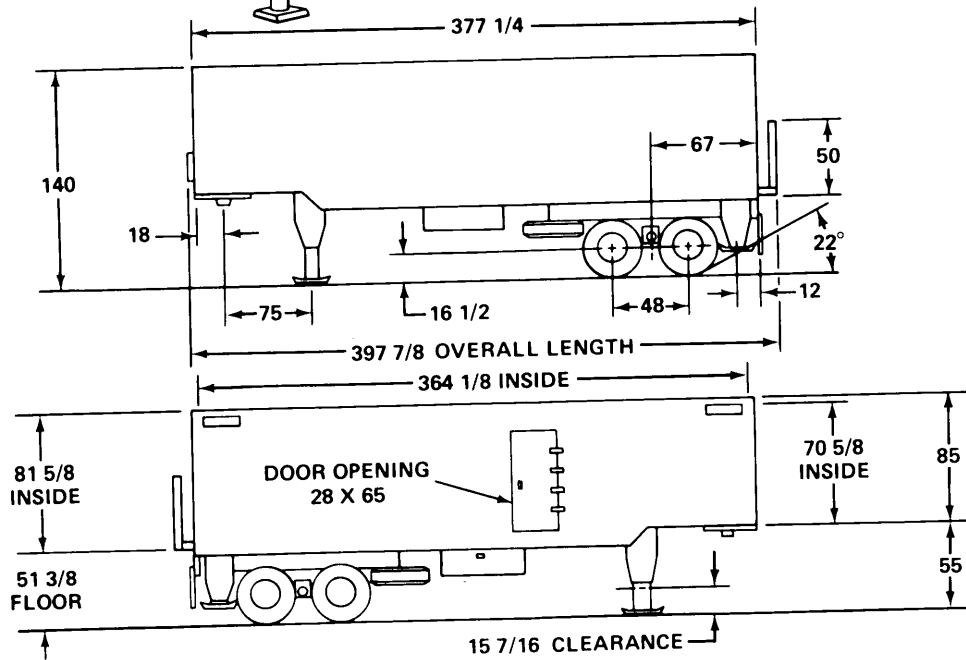
Type	Model	Page
12-TON - Continued		
SEMITRAILER, VAN: Cargo, 4 Wheel	M128A20	6-69
SEMITRAILER, VAN: Supply, 4 Wheel	M129A1	6-71
SEMITRAILER, VAN: Supply, 4 Wheel	M129A10	6-73
SEMITRAILER, VAN: Supply, 4 Wheel	M129A20	6-75
22-112-TON		
SEMITRAILER, DUAL PURPOSE: Breakbulk Container Transporter	M871	6-77
25-TON		
SEMITRAILER, LOWBED: 4 Wheel	M172A1	6-79
34-TON		
SEMITRAILER, DUAL PURPOSE: Breakbulk Container Transporter, 40 Foot	M872	6-81
40-TON		
SEMITRAILER, LOWBED: Construction Equipment Transporter, CCE	M870	6-83
60-TON		
SEMITRAILER, LOWBED: Heavy Equipment Transporter, 16 Wheel	M747	6-85



SHIPPING DIMENSIONS

WIDTH - 96
WIDTH LANDING GEAR - 70

NOTE:
ALL DIMENSIONS ARE IN INCHES.



TA209155

PURPOSE: Transport and house electronic equipment; used by other DOD Agencies as mobile high RF shielded shelter, workshop or command post in a Tactical environment (including a moderate nuclear environment).

GENERAL INFORMATION

Nomenclature: SEMITRAILER, VAN:
4 1/2-Ton, Electronic, Tactical, NBC
Hardened, 4 Wheel

Model Number: XM1006

NSN: 2330-01-110-9281

LIN: None

SSN:

TM: 9-2330-364-14&P

CHARACTERISTICS

Electrical System: 12 Volt and 24 Volt

Tires: 9:00 x 20, 8-ply

Brakes: Air over hydraulic

Blackout Lights: Yes

RF Shielding Capacities:
Frequency Attenuation Range

15-100 KHz 40 DB
100 KHz -18 GHz 60 DB

Overpressure/Vacuum Shielding
Capability: Classified

PERFORMANCE DATA

Fording:

W/Kit:

WO/Kit: 60 in

Departure Angle: 22 Degrees

VEHICLE DATA

Type Classification & Date: Type classified
as part of MICOM's Pershing II System

Replaces/Replaced By: N/A

Life Expectancy: 30 Years

Payload: 9,000 lb

Gross Vehicle Weight: 37,500

Air Transportability: Phase III

EQUIPMENT OPTIONS

Kits: None

Configuration/Components: Ladders -2
personnel w/handrails and one 12 ft long;
Wall Posts, Roof Bows: 3 x 6 in steel tubes
on 16 in centers

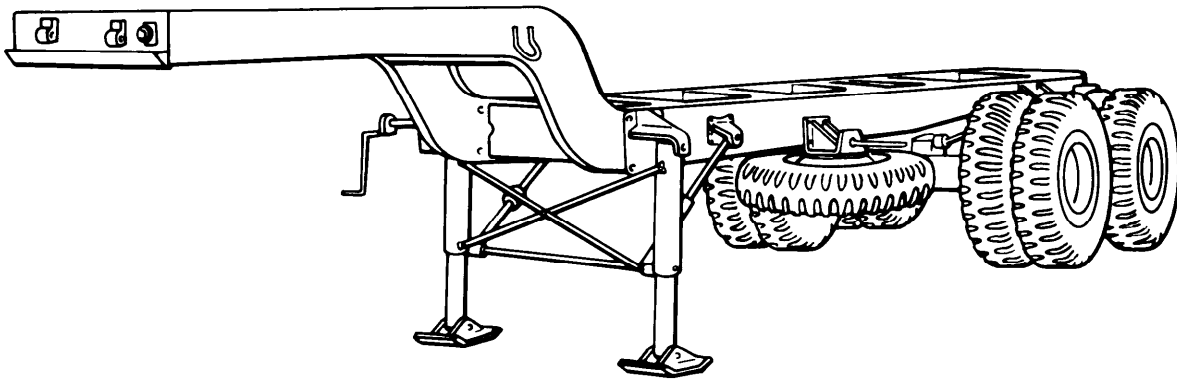
SHIPPING DATA

Weight: 28,070 lb

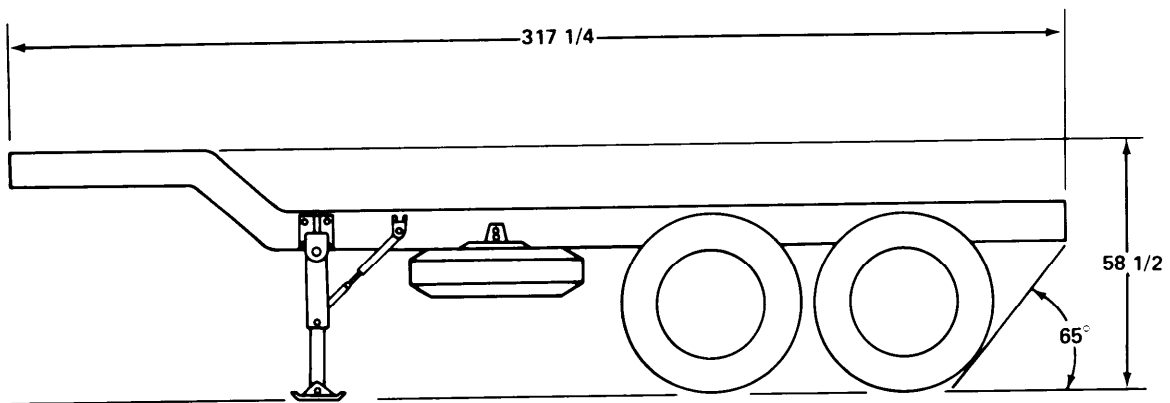
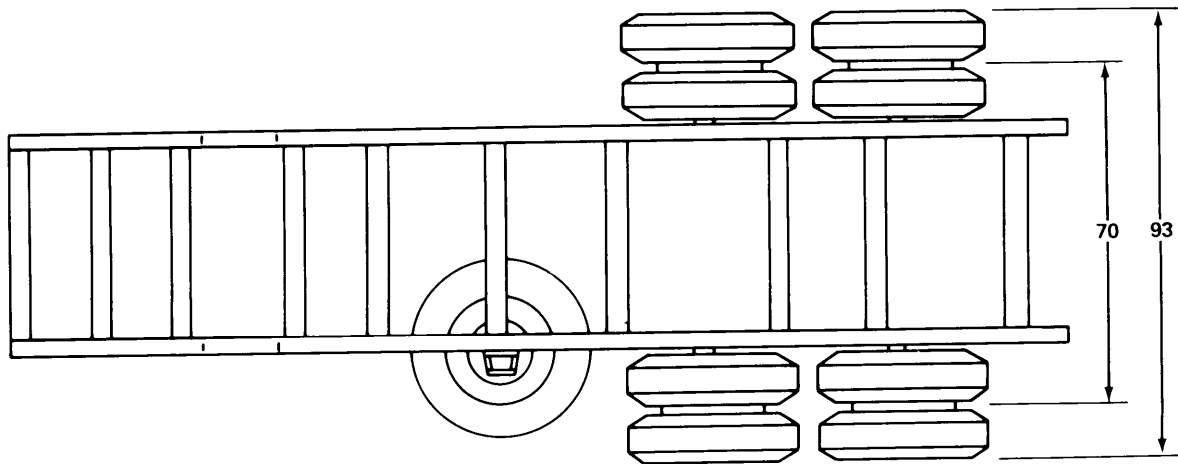
Cube: 2,934.2 cu ft

Ground Clearance: 16 1/2 in

Kingpin Height: 55 in



NOTE:
ALL DIMENSIONS ARE IN INCHES.



TA208567

PURPOSE: Receive the body of a van semitrailer and provide a mobile shop for the Army.

GENERAL INFORMATION

Nomenclature: SEMITRAILER, CHASSIS:
6-Ton, 4 Wheel

Model Number: M295A1

NSN: 2330-00-649-8124

LIN:

SSN: D014022

TM: 9-2330-238-14&P

CHARACTERISTICS

Electrical System: 24 Volt

Tires: 9:00 x 20, 8-ply

Brakes: Air over hydraulic

Blackout Lights: Yes

PERFORMANCE DATA

Fording:

W/Kit:

WO/Kit: Submerged

Departure Angle: 65 Degrees

VEHICLE DATA

Type Classification & Date:

Replaces/Replaced By:

Life Expectancy: 30 Years

Payload: 12,000 lb

Gross Vehicle Weight: WO/Body:
17,700 lb

Air Transportability: Phase III

EQUIPMENT OPTIONS

Kits:

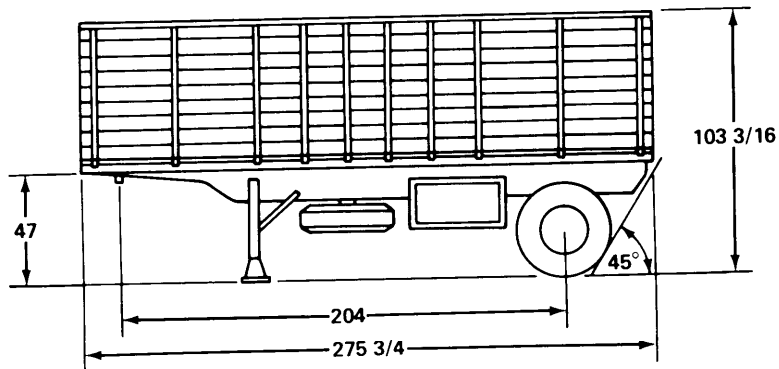
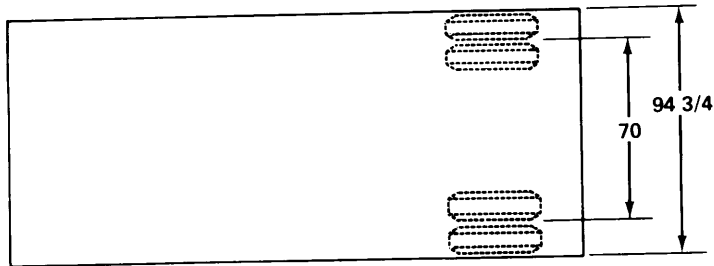
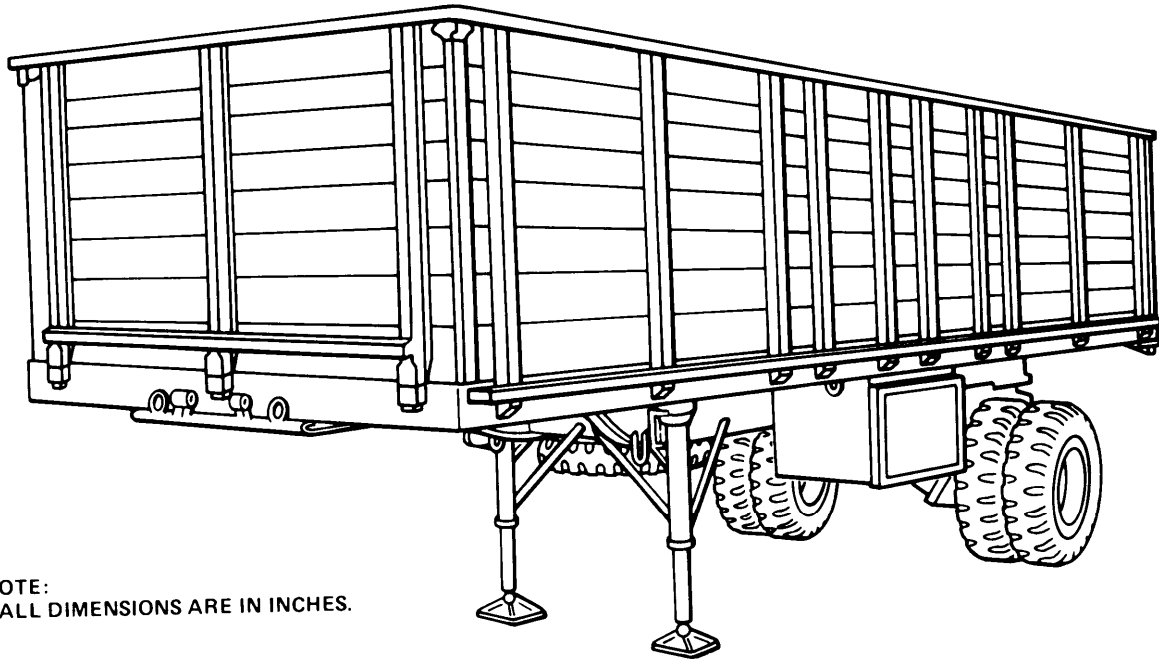
SHIPPING DATA

Weight: 5,700 lb

Cube: 204.6 cu ft

Ground Clearance: 11 in

Kingpin Height: 56 in (No bowlegs) Empty



TA208602

PURPOSE: Cargo carrier for use on highway or cross-country.

GENERAL INFORMATION

Nomenclature: SEMITRAILER, STAKE:
6-Ton, 2 Wheel

Model Number: M118A1

NSN: 2330-00-572-6221

LIN: S71887

SSN: D020000

TM: 9-2320-210-14&P

CHARACTERISTICS

Electrical System: 24 Volt

Tires: 9:00 x 20, 8-ply

Brakes: Air

Blackout Lights: Yes

PERFORMANCE DATA

Fording:

W/Kit:

WO/Kit:

Departure Angle: 45 Degrees

VEHICLE DATA

Type Classification & Date: Std A, 1971

Replaces: M118

Life Expectancy: 25 Years

Payload: 12,000 lb

Gross Vehicle Weight: 19,180 lb

Air Transportability: Phase III

EQUIPMENT OPTIONS

Kits:

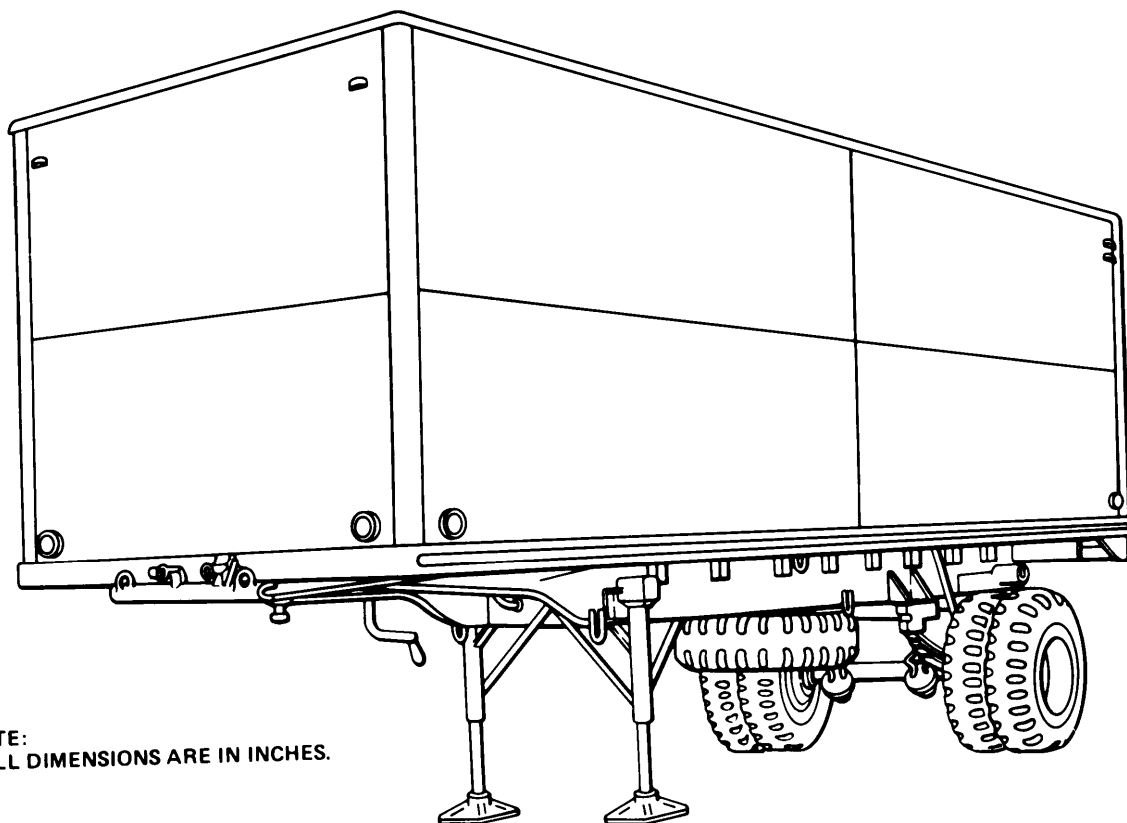
SHIPPING DATA

Weight: 7,140 lb

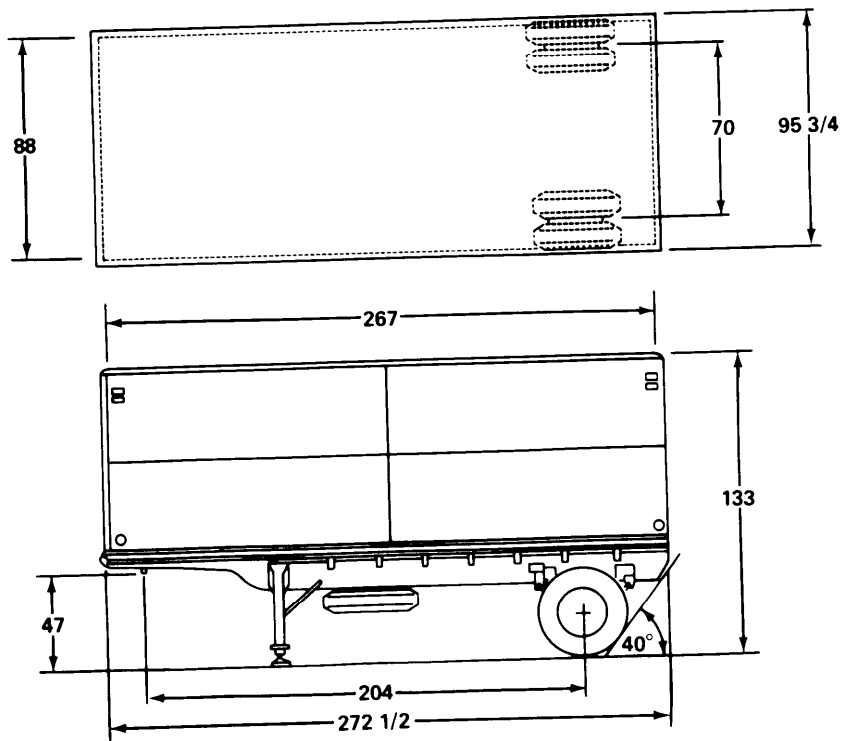
Cube: 1,582 cu ft

Ground Clearance: 19 1/4 in

Kingpin Height: 51 in



NOTE:
ALL DIMENSIONS ARE IN INCHES.



TA208570

PURPOSE: Cargo carrier for use on highway or cross-country.

GENERAL INFORMATION

Nomenclature: SEMITRAILER, VAN:
6-Ton, Cargo, 2 Wheel

Model Number: M119A1

NSN: 2330-00-679-5582

LIN: S73531

SSN: DO30010

TM: 9-2330-210-14&P

Type Classification & Date: Std A, 1968

Replaces: M119

Life Expectancy: 25 Years

Payload: 12,000 lb

Gross Vehicle Weight: 19,180 lb

Air Transportability: Phase II

CHARACTERISTICS

Electrical System: 24 Volt

Tires: 9:00 x 20, 8 ply

Brakes: Air operated

Blackout Lights: Yes

PERFORMANCE DATA

Fording:

W/Kit:

WO/Kit: 55 in

Departure Angle: 40 Degrees

EQUIPMENT OPTIONS

Kits:

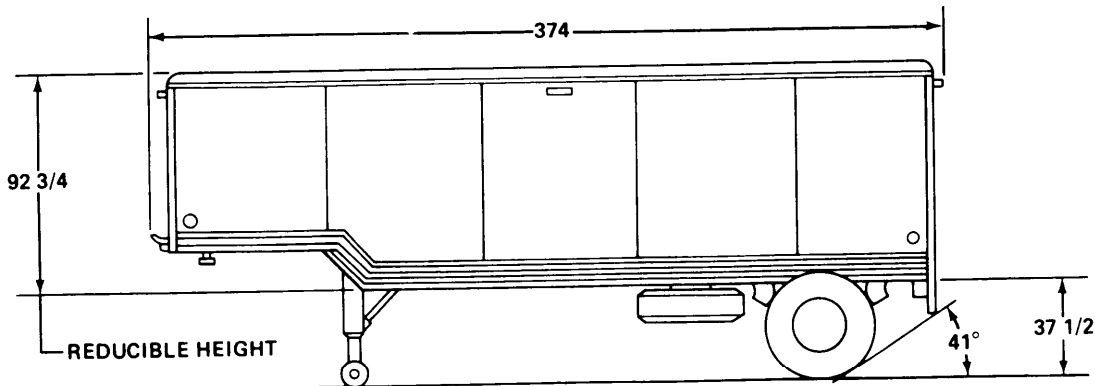
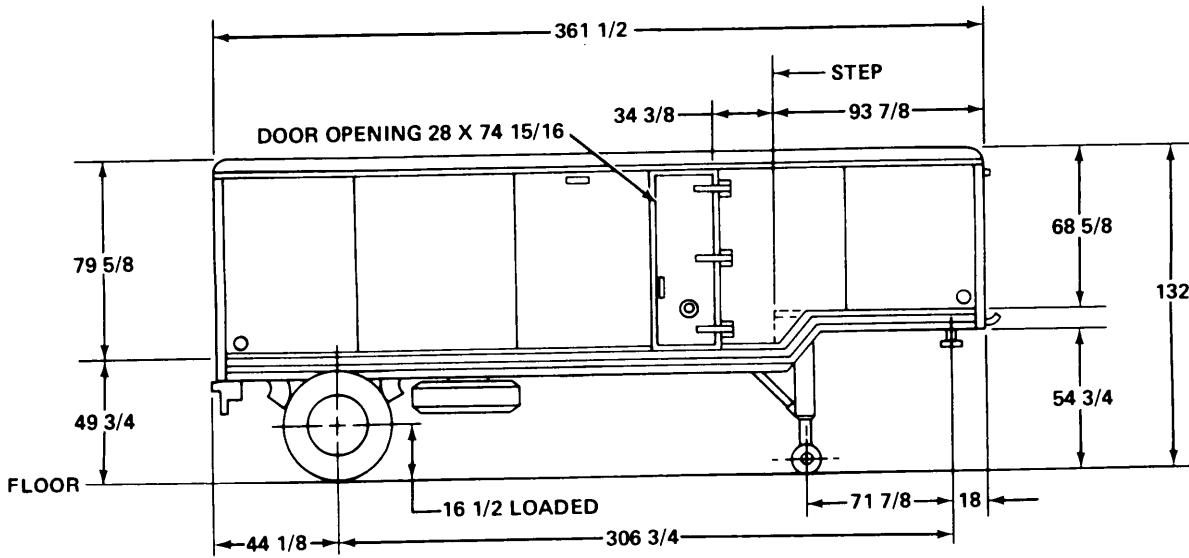
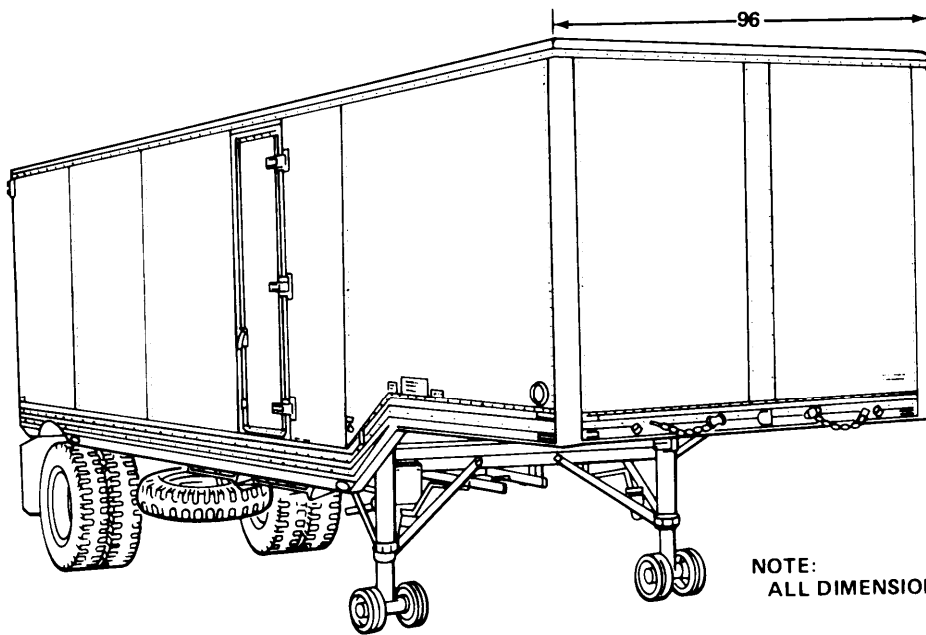
SHIPPING DATA

Weight: 7,180 lb

Cube: 2,023 cu ft

Ground Clearance: 19 1/4 in

Kingpin Height: 47 in



TA209151

PURPOSE: Transport and house electronic equipment.

GENERAL INFORMATION

Nomenclature: SEMITRAILER, VAN:
6-Ton, Electronic, Tactical, 30 Foot,
4 Wheel

Model Number: M373A2

NSN: 2330-00-705-8932

LIN: S74353

SSN: DO32010

TM: 9-2330-246-14&P

CHARACTERISTICS

Electrical System: 24 Volt

Tires: 9:00 x 20, 8-ply

Brakes: Air over hydraulic

Blackout Lights: Yes

Leveling Tasks: Yes

Van Body: All metal (aluminum)
including floor

RFI Shielding: Yes, Low DB
Attenuation between 15 KHz -18 GHz

PERFORMANCE DATA

Fording:

W/Kit: No Kit

WO/Kit: 60 in

Departure Angle: 41 Degrees

VEHICLE DATA

Type Classification & Date: Standard (LCC-A),
28 Jan 1960

Replaced By:

Life Expectancy: 25 Years

Payload Maximum: 16,000 lb

Payload Off Road: 12,000 lb

Gross Vehicle Weight: 21,430 lb

Air Transportability: Phase III

EQUIPMENT OPTIONS

Kits: None

Configuration/Components: Ladders -2
personnel

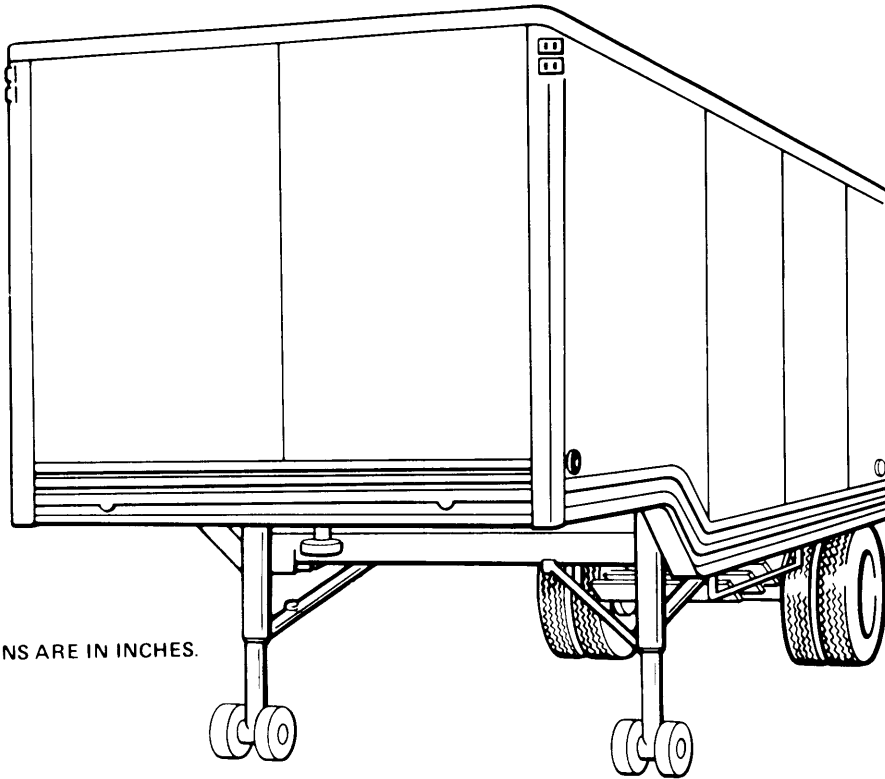
SHIPPING DATA

Weight: 9,430 lb

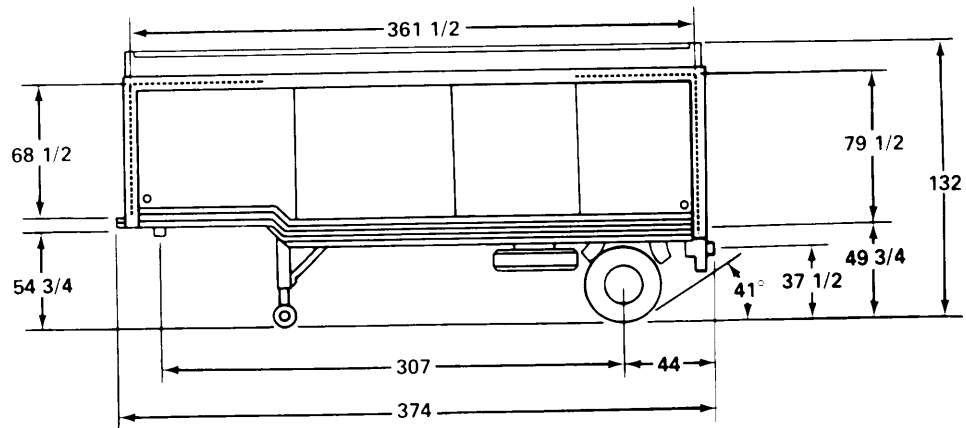
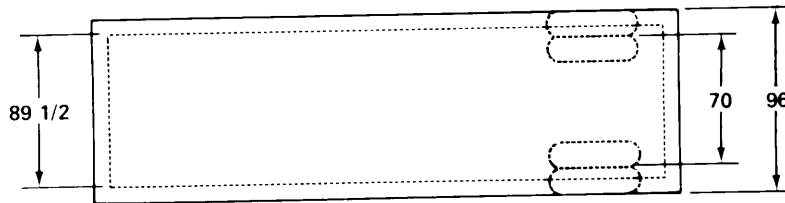
Cube: 2,332 cu ft

Ground Clearance: 16 1/2 in

Kingpin Height: 54 3/4 in



NOTE:
ALL DIMENSIONS ARE IN INCHES.



TA208691

PURPOSE: Transport electronic equipment. Towed by Truck Tractor, 2 1/2-Ton or 5-Ton, 6x6, or similar vehicle equipped with fifth wheel.

GENERAL INFORMATION

Nomenclature: SEMITRAILER, VAN:
6-Ton, Electronic, 2 Wheel

Model Number: M373A2C

NSN: 2330-00-672-7496

LIN:

SSN:

TM: 9-2330-246-14&P

VEHICLE DATA

Type Classification & Date:

Replaces/Replaced By: M373A2

Life Expectancy: 30 Years

Payload: 12,000 lb

Gross Vehicle Weight:

Air Transportability: Phase III

CHARACTERISTICS

Electrical System: 24 Volt

Tires: 4, 9:00 x 20

Brakes: Air over hydraulic

Blackout Lights: Yes

EQUIPMENT OPTIONS

Kits:

PERFORMANCE DATA

Fording: Same as towing vehicle

W/Kit:

WO/Kit: 60 in

Departure Angle: 41 Degrees

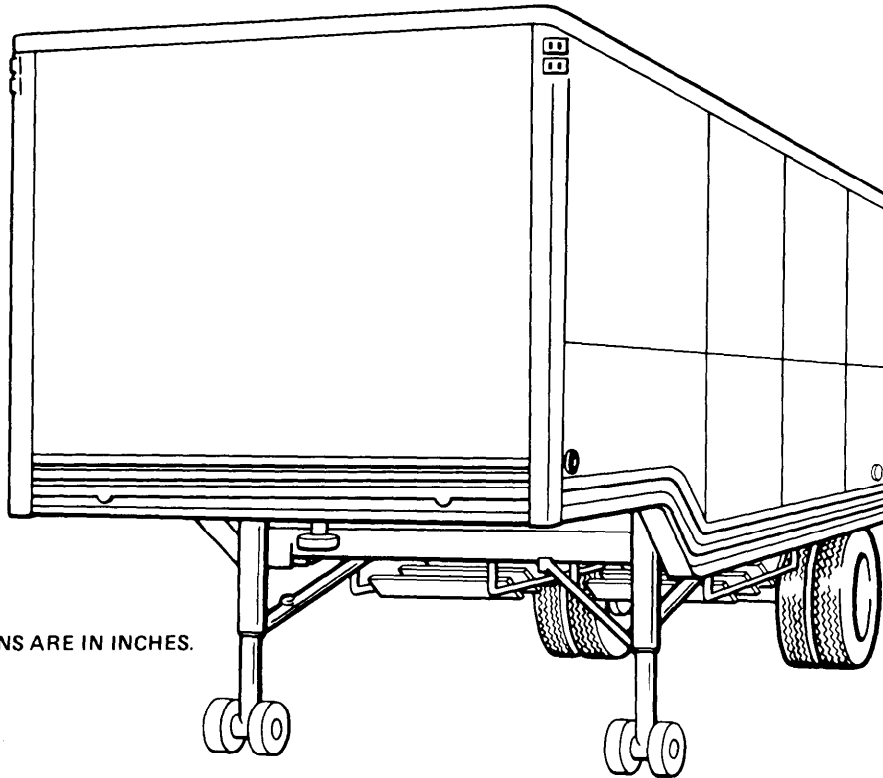
SHIPPING DATA

Weight: 9,700 lb

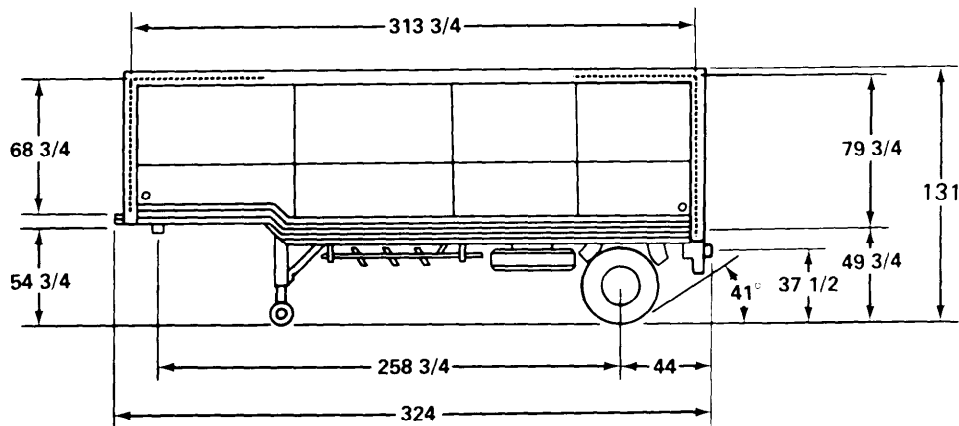
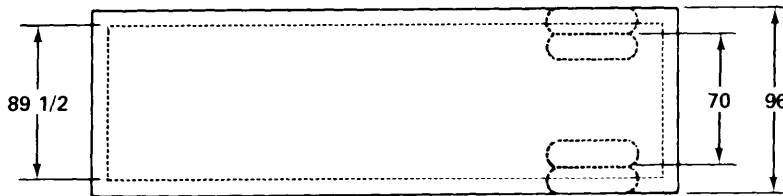
Cube: 2,710 cu ft

Ground Clearance: 16 1/2 in

King Pin Height: 53 3/4 in



NOTE:
ALL DIMENSIONS ARE IN INCHES.



TA208684

PURPOSE: Transport and house electronic equipment. Towed by truck tractor, 5-ton, 6x6 or similar vehicle equipped with fifth wheel.

GENERAL INFORMATION

Nomenclature: SEMITRAILER, VAN:
6-Ton, Electronic, Tactical, 26 Foot,
2 Wheel

Model Number: M348A2

NSN: 2330-00-678-3838

LIN: S74216

SSN: D036000

TM: 9-2330-246-14&P

VEHICLE DATA

Type Classification & Date: Standard (LCC-A),
28 Jan 1960

Replaces/Replaced By:

Life Expectancy: 25 Years

Payload Maximum: 16,000 lb

Payload Off Road: 12,000 lb

Gross Vehicle Weight: 20,770 lb

Air Transportability: Phase III

CHARACTERISTICS

Electrical System: 24 Volt

Tires: 9:00 x 20, 8-ply

Brakes: Air over hydraulic

Blackout Lights: Yes

Leveling Jack: Yes

Van Body: All metal (aluminum)
including floor

RFI Shielding: Yes, Low DB
Attenuation

EQUIPMENT OPTIONS

Kits:

Configuration/Components: Ladders -2
personnel

PERFORMANCE DATA

Fording:

W/Kit:

WO/Kit: 60 in

Departure Angle: 41 Degrees

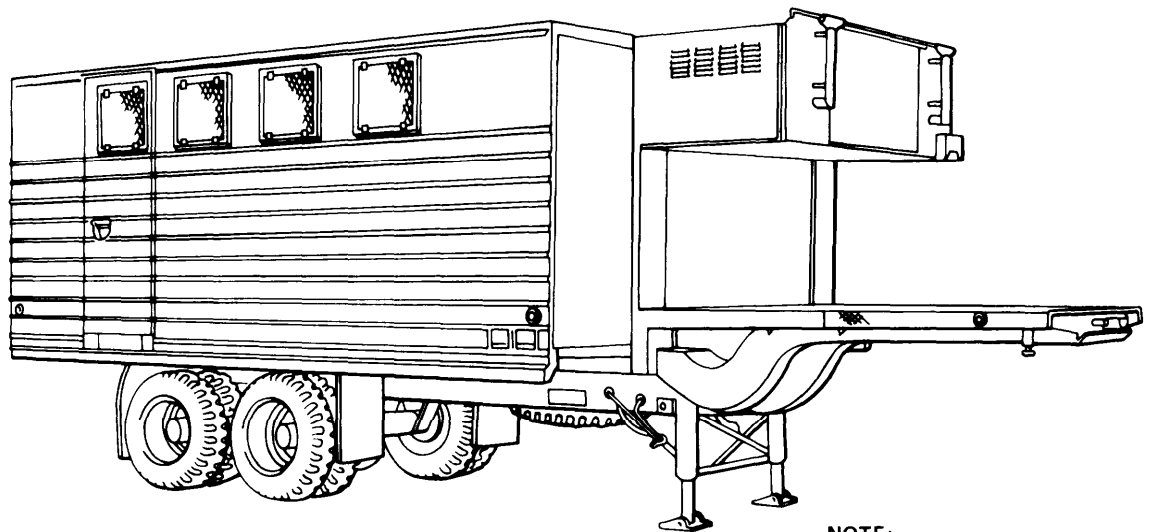
SHIPPING DATA

Weight: 8,770 lb

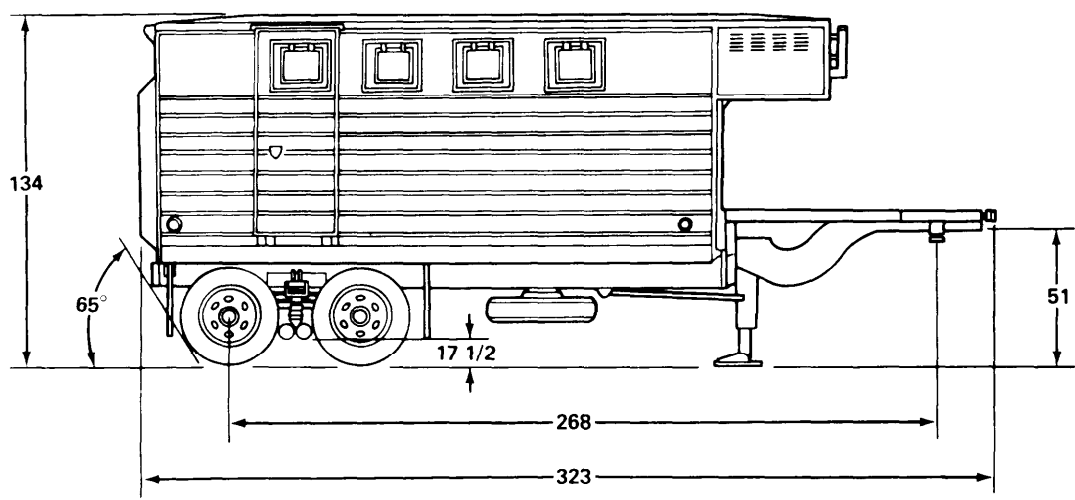
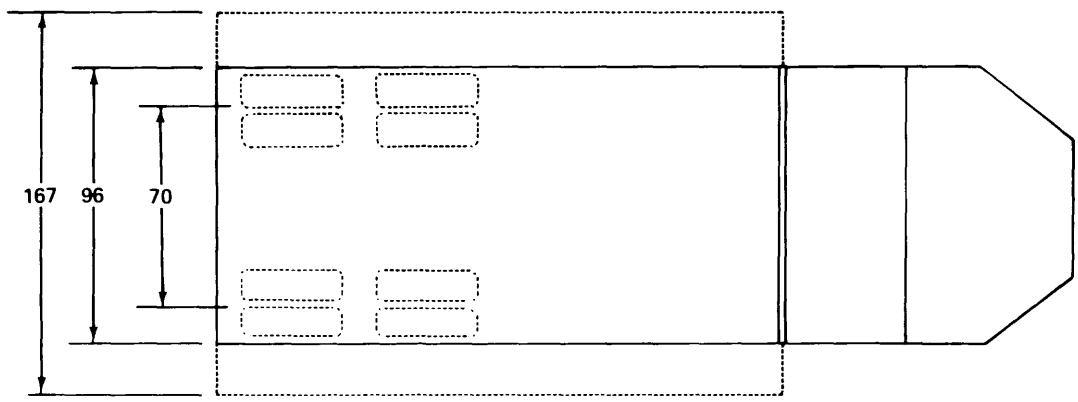
Cube: 2,458.4 cu ft

Ground Clearance: 16 1/2 in

Kingpin Height: 54 3/4 in



NOTE:
ALL DIMENSIONS ARE IN INCHES.



TA208742

PURPOSE: Transport and house a mobile field repair facility.

GENERAL INFORMATION

Nomenclature: SEMITRAILER, VAN:
6-Ton, Expansible, 4 Wheel

Model Number: M313

NSN: 2330-00-772-5273

LIN: S74490

SSN: D040010

TM: 9-2330-238-14&P

CHARACTERISTICS

Electrical System: 24 Volt

Tires: 9:00 x 20, 8-ply

Brakes: Air over hydraulic

Blackout Lights: Yes

PERFORMANCE DATA

Fording:

W/Kit:

WO/Kit: 44 in

Departure Angle: 65 Degrees

VEHICLE DATA

Type Classification & Date: Std A, 1973

Replaces/Replaced By:

Life Expectancy: 25 Years

Payload: Maximum: 14,000 lb
Off Road: 10,000 lb

Gross Vehicle Weight: 27,350 lb

Air Transportability: Phase II

EQUIPMENT OPTIONS

Kits: Stabilizer, 60,000 BTU Heaters,
36,000 BTU Single Type Air
Conditioning Unit

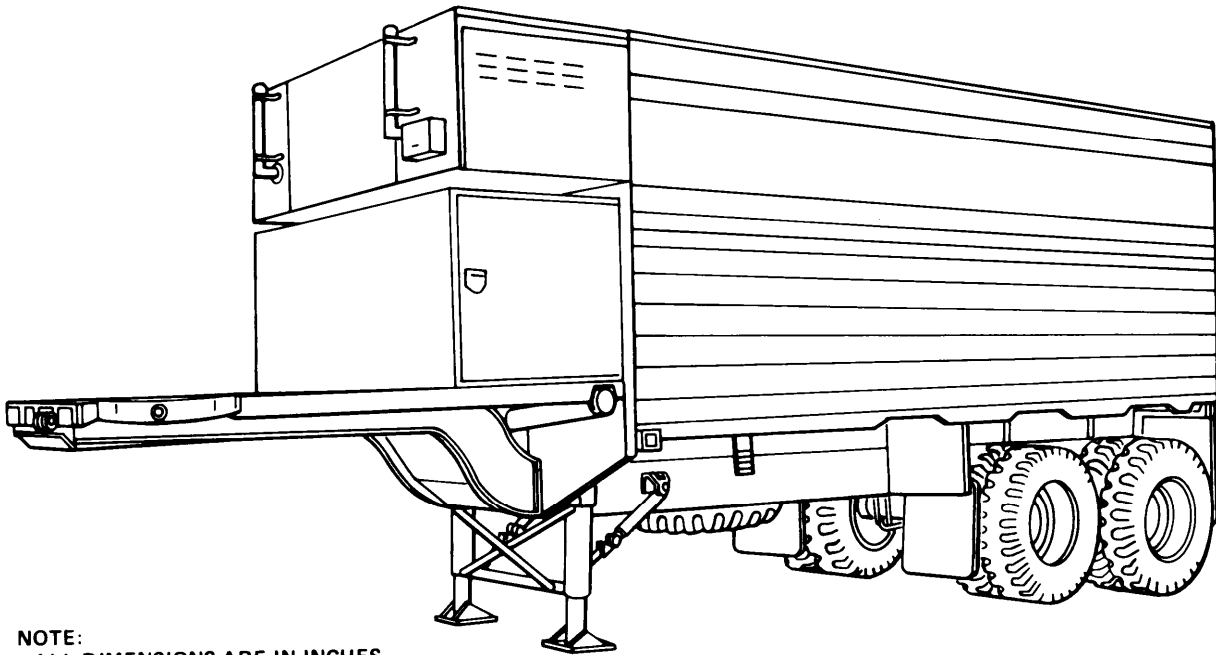
SHIPPING DATA

Weight: 15,350 lb

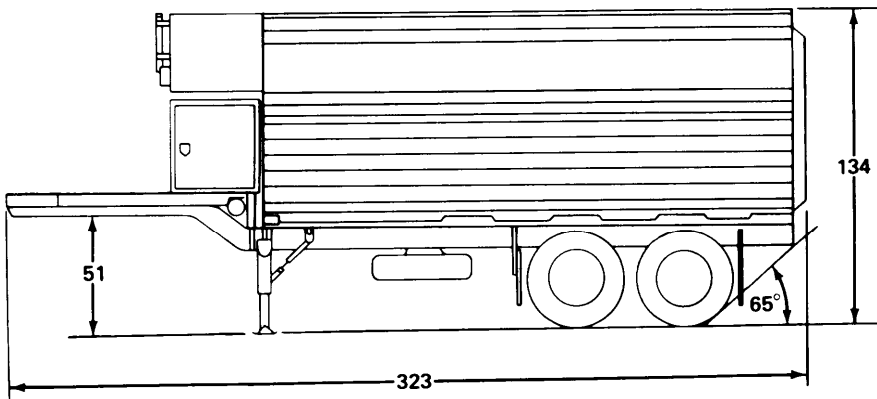
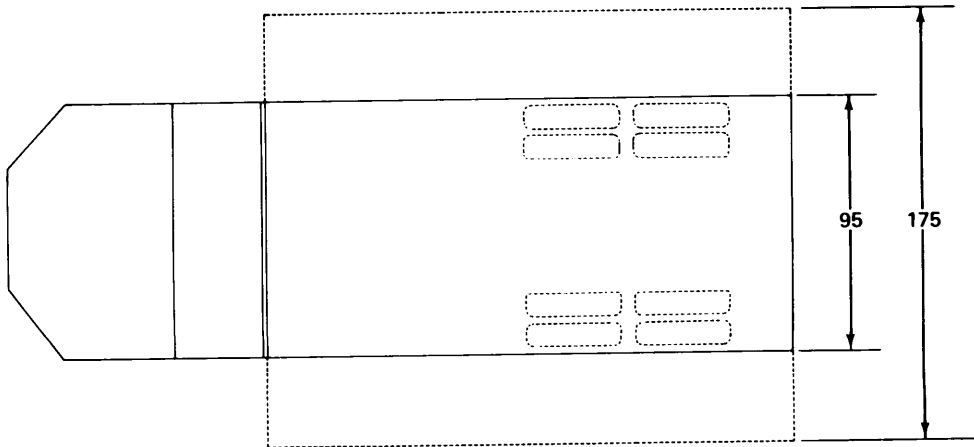
Cube: 2,394 cu ft

Ground Clearance: 17 1/2 in Midship
11 in Under Axles

Kingpin Height: 51 in



NOTE:
ALL DIMENSIONS ARE IN INCHES.



TA208591

PURPOSE: Transport and house repair parts, and other supplies. Towed by truck tractor, 5 ton, 6x6 or similar vehicle equipped with fifth wheel.

GENERAL INFORMATION

Nomenclature: SEMITRAILER, VAN:
6-Ton, Repair Parts Storage, 4 Wheel
Model Number: M750
NSN: 2330-00-926-7035
LIN: S74832
SSN: D014010
TM: 9-2330-238-14&P

CHARACTERISTICS

Electrical System: 24 Volt
Tires: 9:00 x 20, 8-ply
Brakes: Air over hydraulic
Blackout Lights: Yes

PERFORMANCE DATA

Fording: Submersible running gear
W/Kit:
WO/Kit: 44 in
Departure Angle: 65 Degrees

VEHICLE DATA

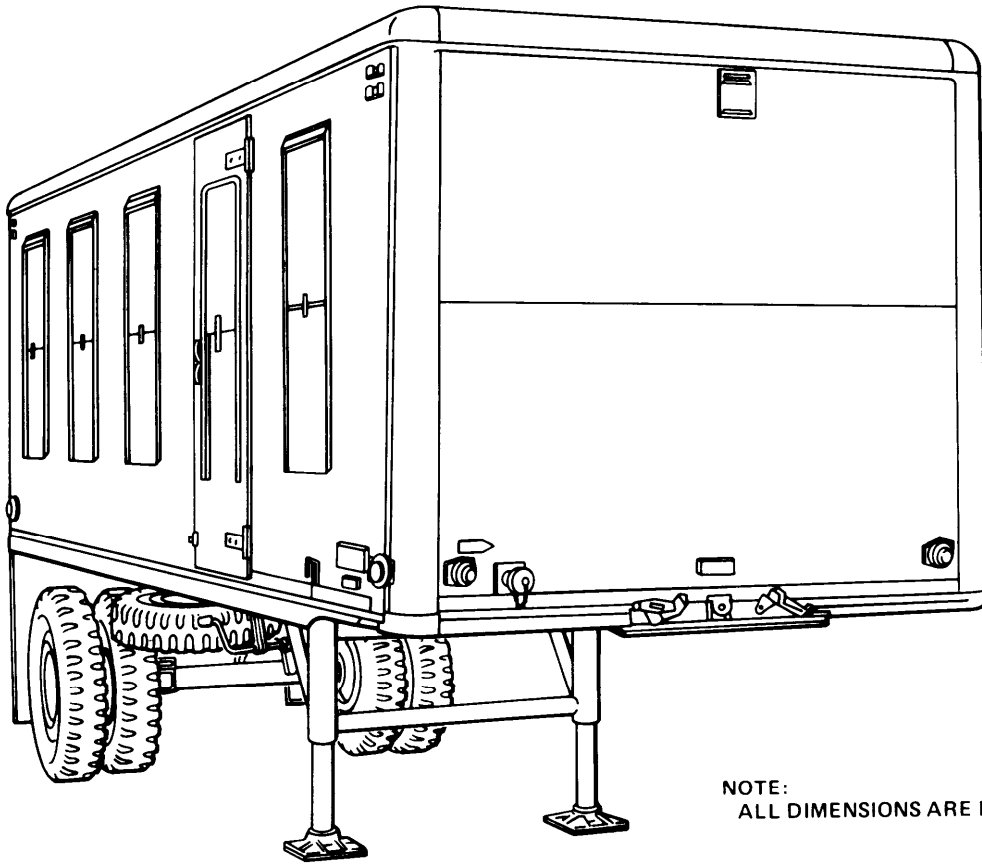
Type Classification & Date: Std A, 1967
Replaces: M749
Life Expectancy: 25 Years
Payload: Maximum: 8,000 lb
Off Road: 5,000 lb
Gross Vehicle Weight: 24,000 lb
Air Transportability: Phase III

EQUIPMENT OPTIONS

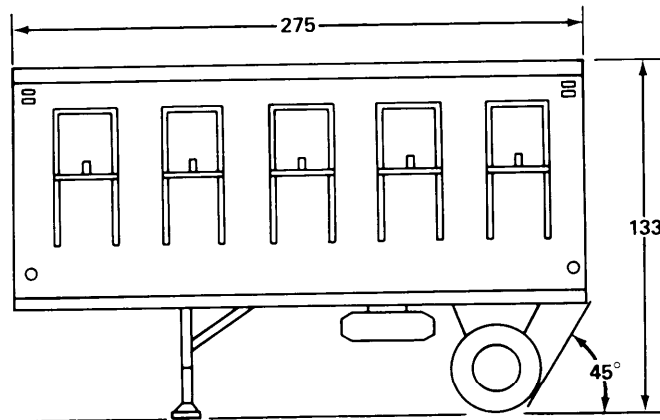
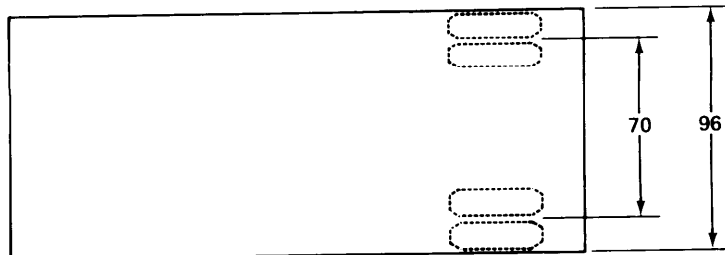
Kits: Stowage Box, Jack, Box

SHIPPING DATA

Weight: 15,820 lb
Cube: 2,394 cu ft t
Ground Clearance: 11 in
Kingpin Height: 51 in Loaded



NOTE:
ALL DIMENSIONS ARE IN INCHES.



TA208608

PURPOSE: Provide quarters for field shop equipment. Towed by truck tractor, 2 1/2 ton, 6x6 or similar vehicle equipped with fifth wheel.

GENERAL INFORMATION

Nomenclature: SEMITRAILER, VAN:
6-Ton, Shop, 2 Wheel

Model Number: M146

NSN: 2330-00-569-9372

UN: S75038

SSN: D044010

TM: 9-2330-227-14&P

CHARACTERISTICS

Electrical System: 24 Volt

Tires: 9:00 x 20, 8 ply

Brakes: Air over hydraulic

Blackout Lights: Yes

PERFORMANCE DATA

Fording:

W/Kit:

WO/Kit: 60 in

Departure Angle: 45 Degrees

VEHICLE DATA

Type Classification & Date: Std A, 1958

Replaces/Replaced By:

Life Expectancy: 25 Years

Payload: Maximum: 16,000 lb
Off Road: 12,000 lb

Gross Vehicle Weight: 18,950 lb

Air Transportability: Phase III

EQUIPMENT OPTIONS

Kits:

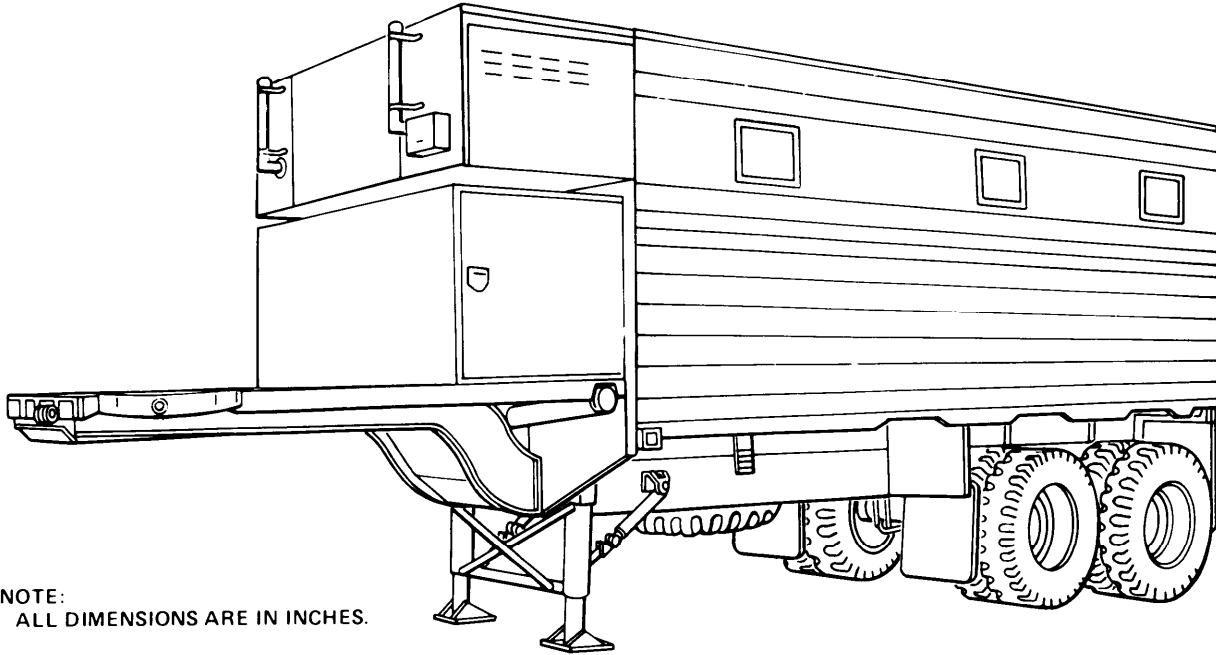
SHIPPING DATA

Weight: 7,500 lb

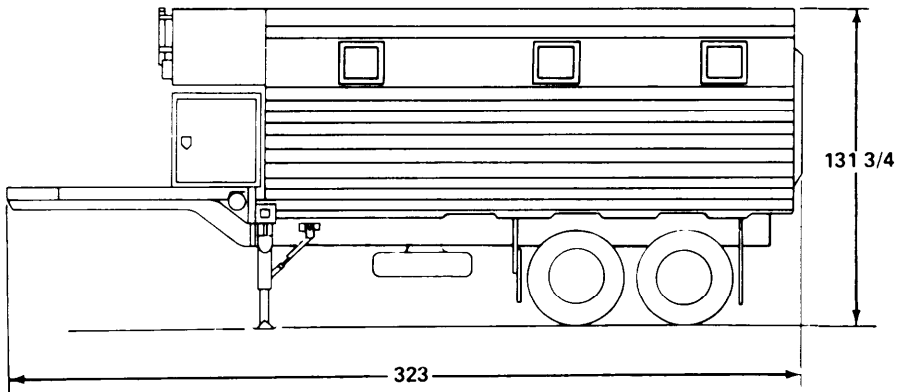
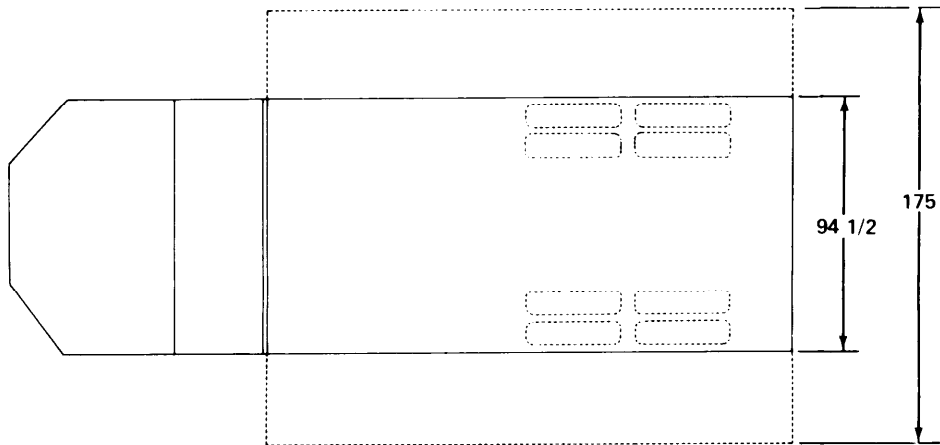
Cube: 2,010 cu ft

Ground Clearance: 16 1/2 in (Loaded)

Kingpin Height: 49 in



NOTE:
ALL DIMENSIONS ARE IN INCHES.



TA208571

PURPOSE: Provide a mobile semitrailer van shop with folding sides for the Army and for use as a field spare parts carrier.

GENERAL INFORMATION

Nomenclature: SEMITRAILER. VAN: 6 Ton,
Shop, Folding Sides, 4 Wheel

Model Number: M447

NSN: 2330-00-542-5709

LIN:

SSN:

TM: 9-2330-238-14&P

VEHICLE DATA

Type Classification & Date:

Replaces/Replaced By:

Life Expectancy: 30 Years

Payload: 12,000 lb

Gross Vehicle Weight: 25,080 lb

Air Transportability: Phase III

CHARACTERISTICS

Electrical System: 24 Volt

Tires: 9:00 x 20, 8-ply

Brakes: Air over hydraulic

Blackout Lights: Yes

EQUIPMENT OPTIONS

Kits:

PERFORMANCE DATA

Fording:

W/Kit: 44 in (15 minutes submerged)

WO/Kit: 44 in

Departure Angle: 65 Degrees

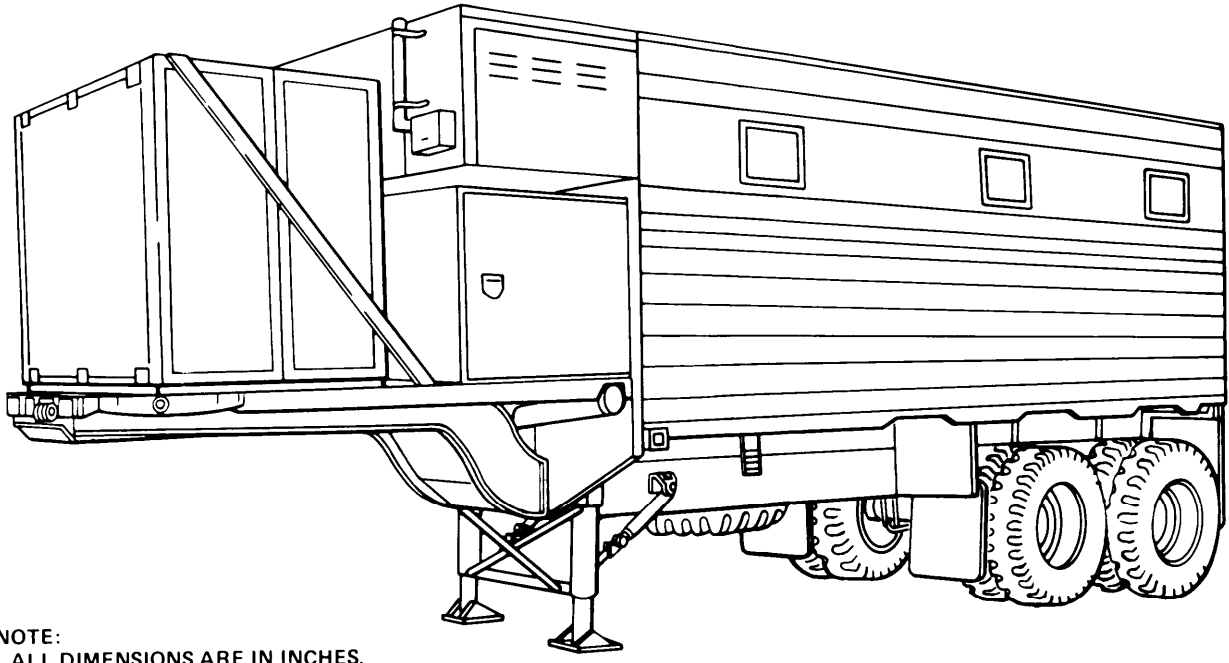
SHIPPING DATA

Weight: 13,080 lb

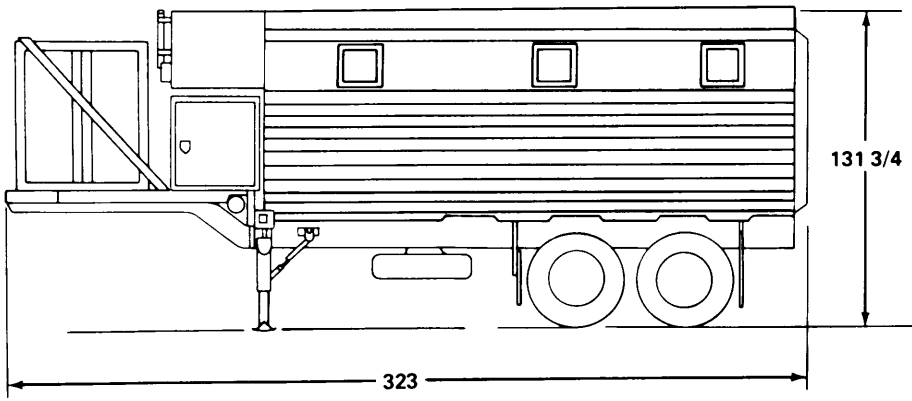
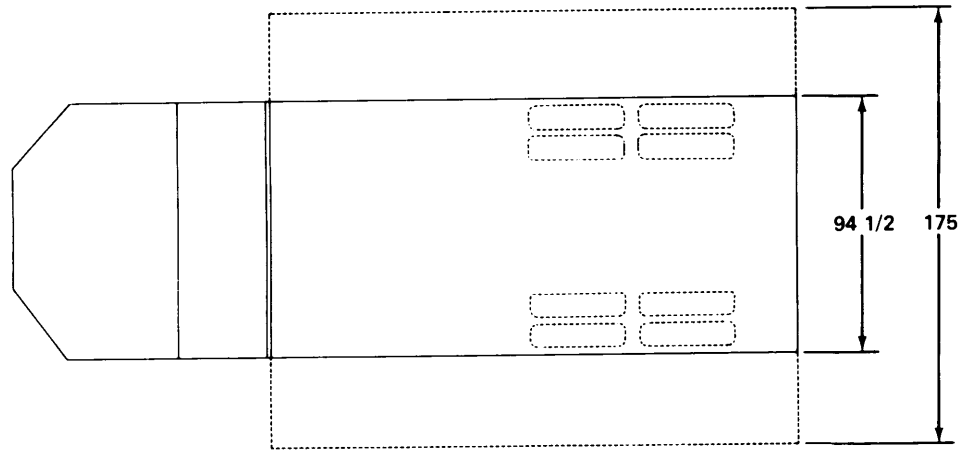
Cube: 2,394 cu ft

Ground Clearance: 11 in

Kingpin Height: 51 in Loaded



NOTE:
ALL DIMENSIONS ARE IN INCHES.



TA208695

PURPOSE: Mobile semitrailer van shop with folding sides for the Army and for use as a field spare parts carrier. Prime mover, 5 Ton, 6x6, M52 or M818.

GENERAL INFORMATION

Nomenclature: SEMITRAILER, VAN: 6-Ton,
Shop, Folding Sides, 4 Wheel

Model Number: M447C

NSN: 2330-00-472-9999

LIN:

SSN:

TM: 9-2330-238-14&P

CHARACTERISTICS

Electrical System: 24 Volt

Tires: 9:00 x 20, 8-ply

Brakes: Air over hydraulic

Blackout Lights: Yes

PERFORMANCE DATA

Fording:

W/Kit:

WO/Kit: 44 in

Departure Angle: 65 Degrees

VEHICLE DATA

Type Classification & Date:

Replaces: M447

Life Expectancy: 30 Years

Payload: 12,000 lb

Gross Vehicle Weight: 25,520 lb

Air Transportability: Phase III

EQUIPMENT OPTIONS

Kits: Personnel Heater, Air
Conditioner

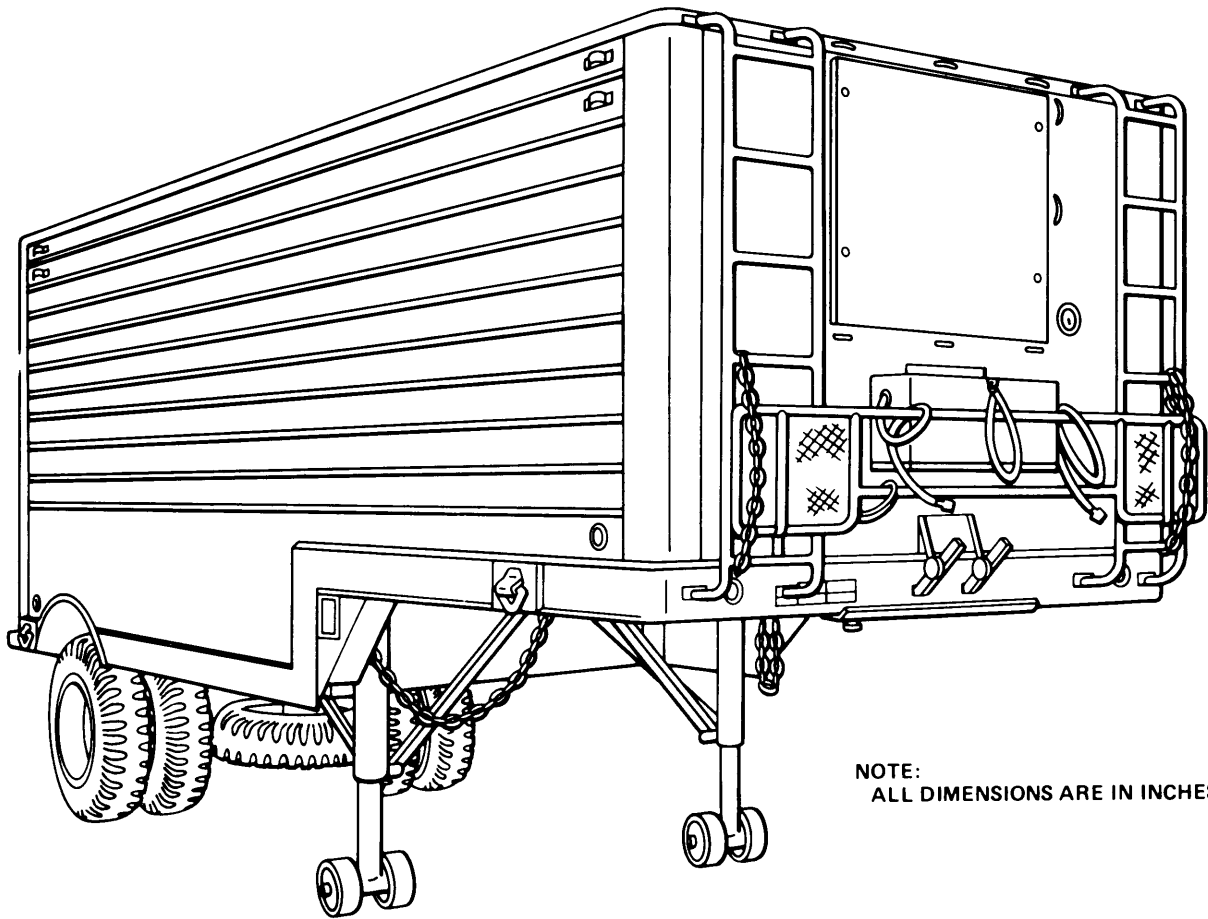
SHIPPING DATA

Weight: 13,520 lb

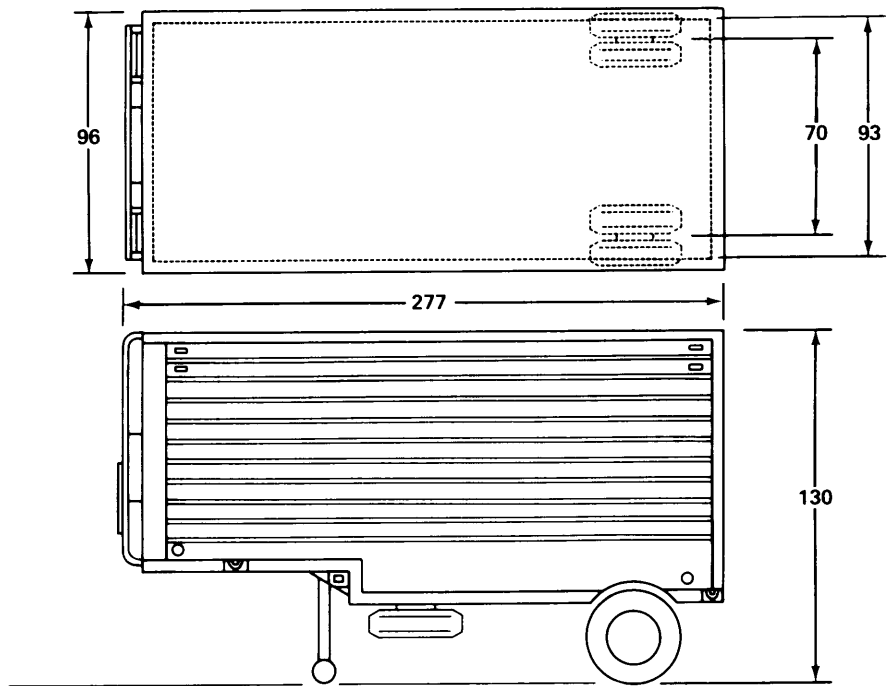
Cube: 2,394 cu ft

Ground Clearance: 11 in

Kingpin Height:



NOTE:
ALL DIMENSIONS ARE IN INCHES.



TA208573

PURPOSE: Provide refrigerated storage space for perishable items.

GENERAL INFORMATION

Nomenclature: SEMITRAILER, VAN:
7 1/2-Ton, Refrigerator, 2 Wheel

Model Number: M349A1

NSN: 2330-00-348-7799

LIN:

SSN:

TM: 9-2330-222-15 & 24P

CHARACTERISTICS

Electrical System: 24 Volt

Tires: 9:00 x 20, 8-ply

Brakes: Air over hydraulic

Blackout Lights: Yes

PERFORMANCE DATA

Fording:

W/Kit:

WO/Kit: 60 in

Departure Angle: 30 Degrees

VEHICLE DATA

Type Classification & Date:

Replaces:

Life Expectancy: 30 Years

Payload: 15,000 lb

Gross Vehicle Weight: 23,600 lb

Air Transportability: Phase III

EQUIPMENT OPTIONS

Kits:

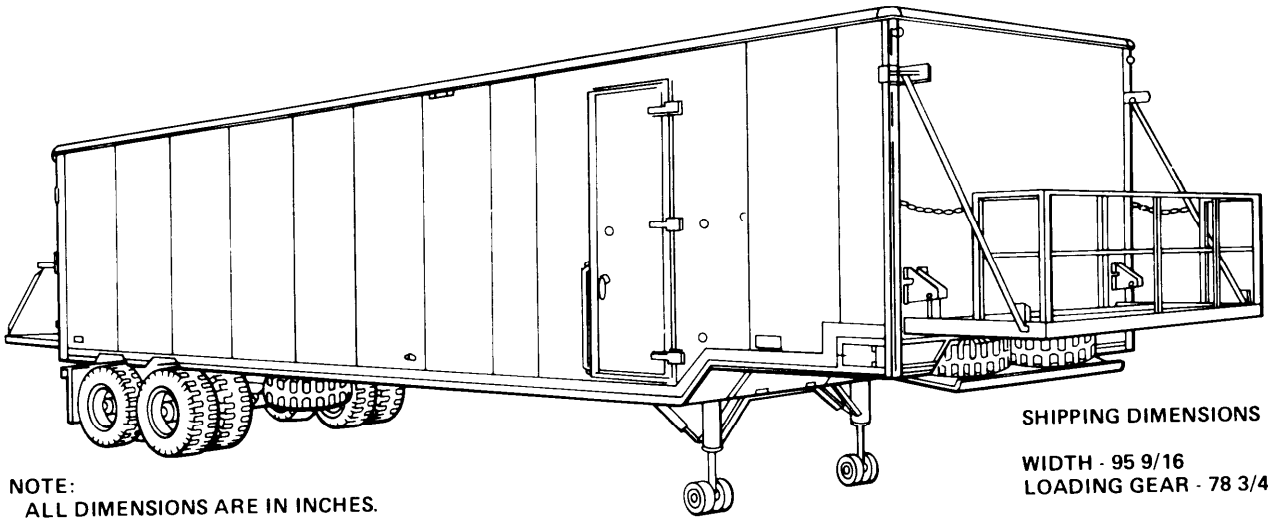
SHIPPING DATA

Weight: 8,600 lb

Cube: 2,000 cu ft

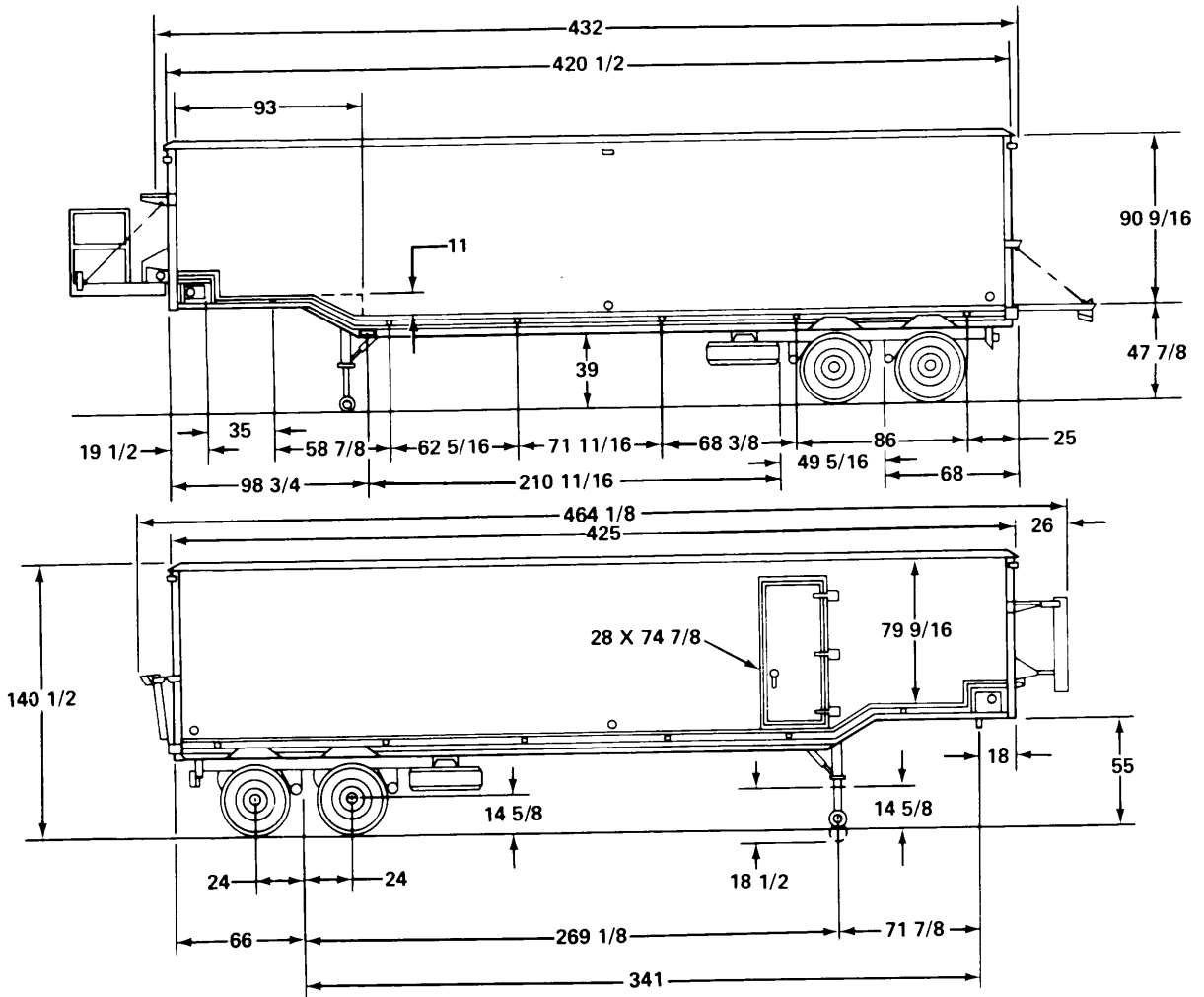
Ground Clearance: 11 in

Kingpin Height: 52 in



SHIPPING DIMENSIONS

WIDTH - 95 9/16
LOADING GEAR - 78 3/4



TA209152

PURPOSE: Transport and house sensitive equipment such as laboratories and electronics guidance systems.

GENERAL INFORMATION

Nomenclature: SEMITRAILER, VAN:
10-Ton, 4 Wheel

Model Number: XM971

NSN: 2330-01-050-8810

LIN:

SSN:

TM: 9-2330-362-14&P

VEHICLE DATA

Type Classification & Date:

Replaces/Replaced By:

Life Expectancy: 30 Years

Payload: 20,000 lb

Gross Vehicle Weight: 33,110 lb

Air Transportability: In C5-A as is; In C141 and C130, W/dolly removed and landing gear horizontal

CHARACTERISTICS

Electrical System: 24 Volt

Tires: 9:00 x 20, 8-ply NDCC

Brakes: Air over hydraulic

Blackout Lights: Yes

EQUIPMENT OPTIONS

Kits:

PERFORMANCE DATA

Fording:

W/Kit:

WO/Kit: 60 in

Departure Angle: 48 Degrees

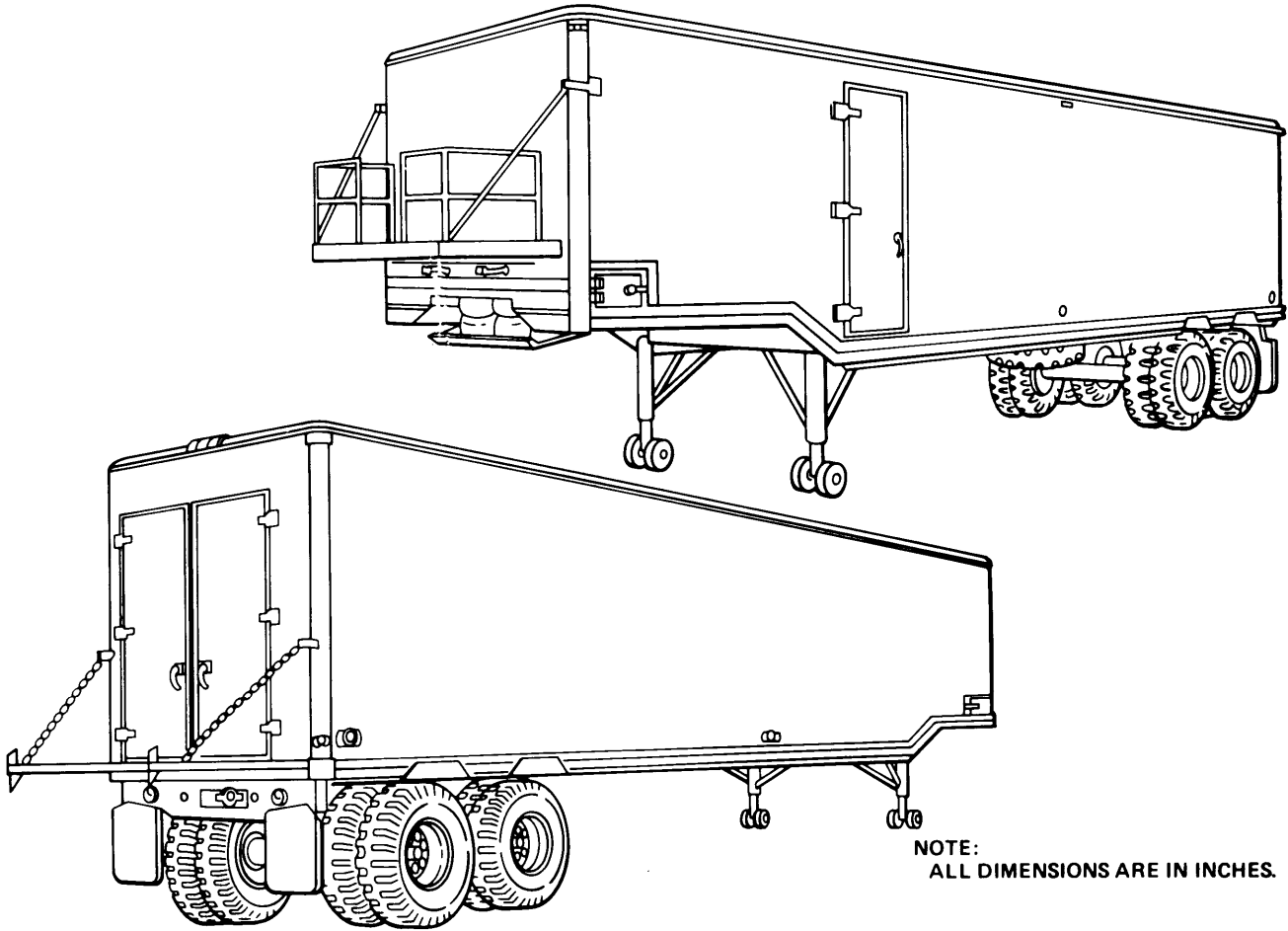
SHIPPING DATA

Weight: 13,110 lb

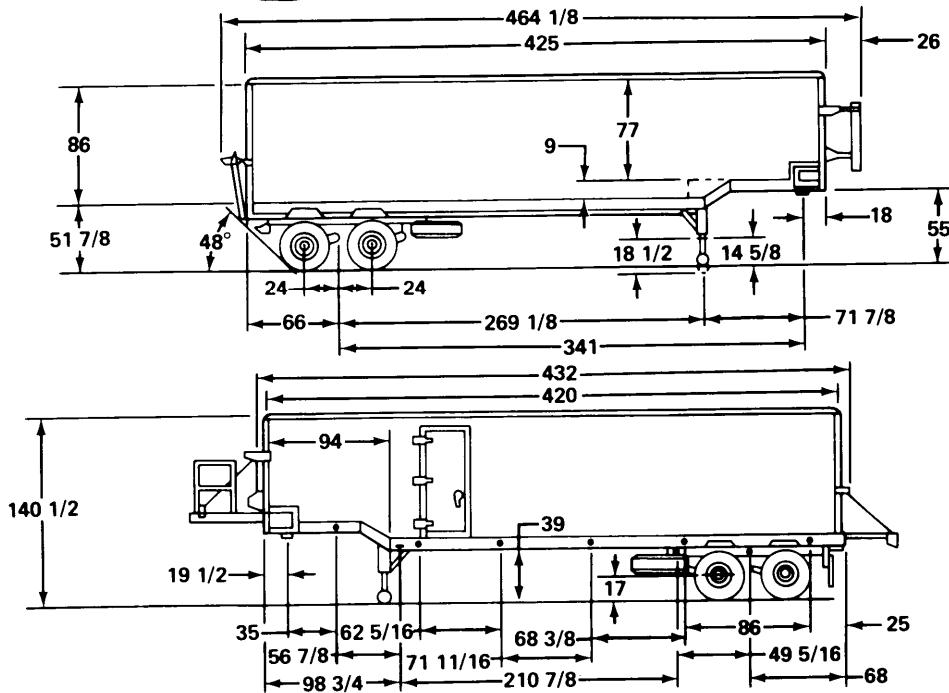
Cube: 3,384 cu ft

Ground Clearance: 17 in (Loaded)

Kingpin Height: 55 in (Loaded)



NOTE:
ALL DIMENSIONS ARE IN INCHES.



TA209153

PURPOSE: Transport and house sensitive equipment such as laboratories and electronics guidance systems.

GENERAL INFORMATION

Nomenclature: SEMITRAILER, VAN:
10-Ton, 4 Wheel

Model Number: XM991

NSN: 2330-01-083-8322

LIN:

SSN:

TM: 9-2330-363-14&P

VEHICLE DATA

Type Classification & Date:

Replaces/Replaced By:

Life Expectancy: 30 Years

Payload: 20,000 lb

Gross Vehicle Weight: 35,010 lb

Air Transportability: In C5-A as is; In C141 and C1 30, W/dolly removed and landing gear horizontal

CHARACTERISTICS

Electrical System: 24 Volt

Tires: 9:00 x 20, 8-ply NDCC

Brakes: Air over hydraulic

Blackout Lights: Yes

EQUIPMENT OPTIONS

Kits:

PERFORMANCE DATA

Fording:

W/Kit:

WO/Kit: 60 in

Departure Angle: 48 Degrees

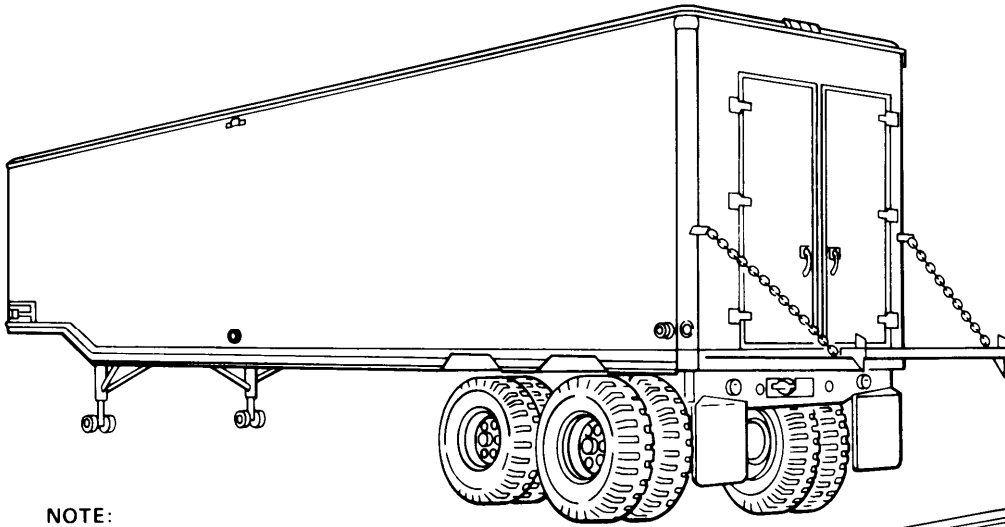
SHIPPING DATA

Weight: 15,010 lb

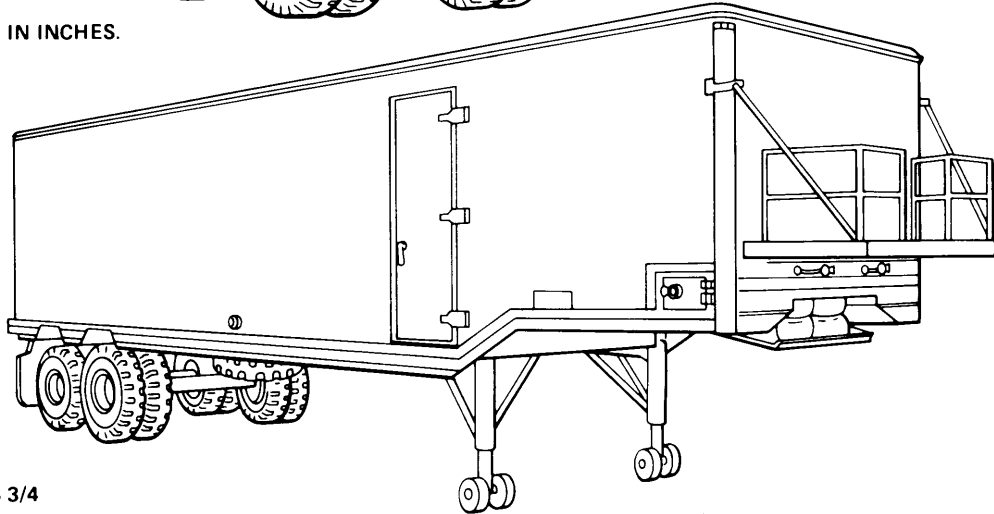
Cube: 3,384 cu ft

Ground Clearance: 17 in (Loaded)

Kingpin Height: 55 in (Loaded)

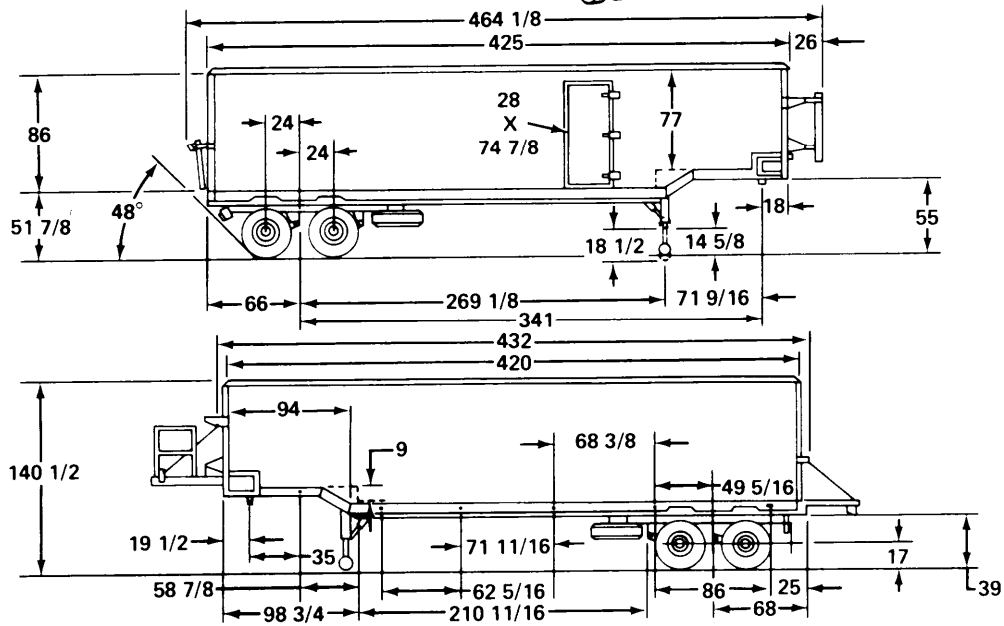


NOTE:
ALL DIMENSIONS ARE IN INCHES.



SHIPPING DIMENSIONS

WIDTH · 95 9/16
WIDTH LANDING GEAR · 78 3/4



TA209154

PURPOSE: Transport and house sensitive equipment such as laboratories and electronics guidance systems.

GENERAL INFORMATION

Nomenclature: SEMITRAILER, VAN:
10-Ton, 4 Wheel

Model Number: XM995

NSN: 2330-01-093-8323

LIN:

SSN:

TM: 9-2330-363-14&P

CHARACTERISTICS

Electrical System: 24 Volt

Tires: 9:00 x 20, 8-ply NDCC

Brakes: Air over hydraulic

Blackout Lights: Yes

PERFORMANCE DATA

Fording:

W/Kit:

WO/Kit: 60 in

Departure Angle: 48 Degrees

VEHICLE DATA

Type Classification & Date:

Replaces/Replaced By:

Life Expectancy: 30 Years

Payload: 20,000 lb

Gross Vehicle Weight: 35,010 lb

Air Transportability: In C5-A as is; In C141 and C130, W/dolly removed and landing gear horizontal

EQUIPMENT OPTIONS

Kits:

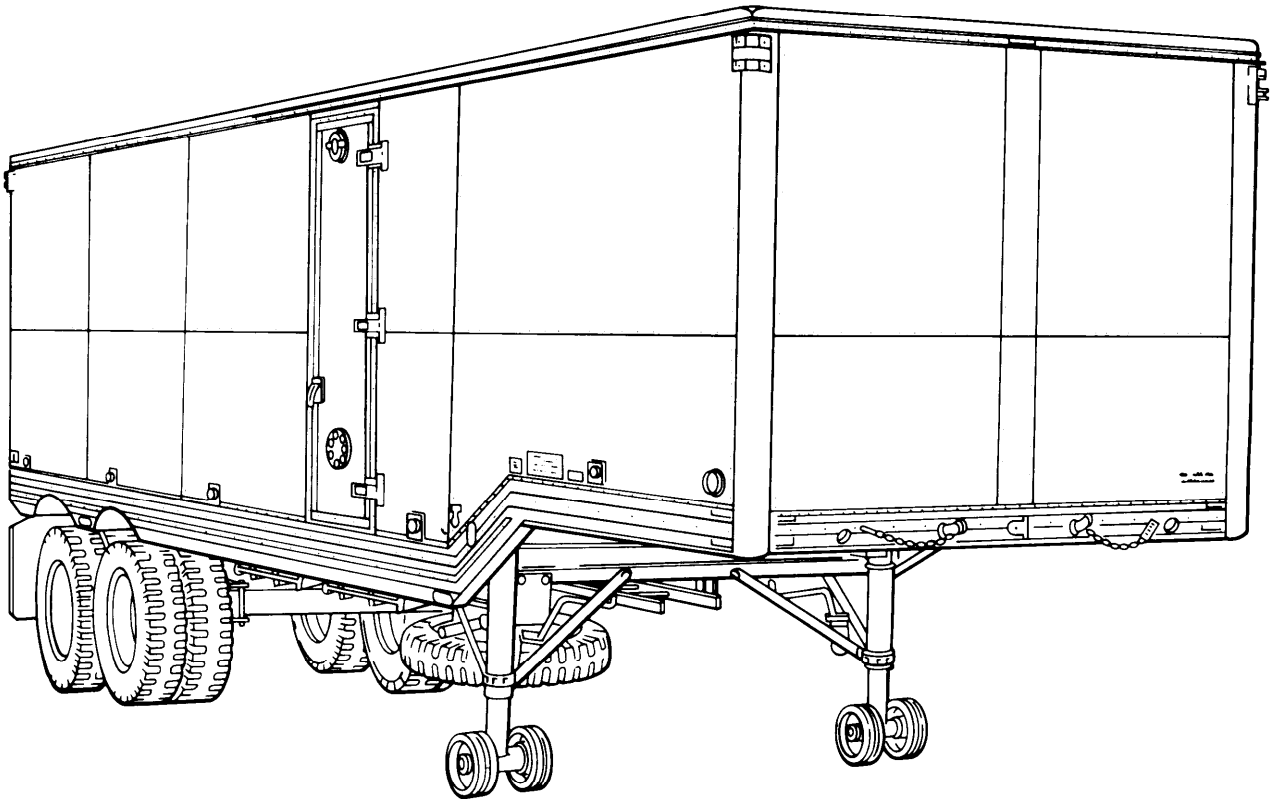
SHIPPING DATA

Weight: 15,010 lb

Cube: 3,384 cu ft

Ground Clearance: 17 in (Loaded)

Kingpin Height: 55 in (Loaded)



NOTE:
ALL DIMENSIONS ARE IN INCHES.

SHIPPING DIMENSIONS

LENGTH -
(OPERATIONAL) - 376
(REDUCED) - 376
WIDTH -
(OPERATIONAL) - 96
(REDUCED) - 96
HEIGHT -
(OPERATIONAL) - 132
(REDUCED) - 93

TA209008

PURPOSE: Transport and house electronic equipment on either highway or cross-country, using the M52, M52A1, M52A2 or M818 truck tractor as the towing vehicle.

GENERAL INFORMATION

Nomenclature: SEMITRAILER, VAN:
10-Ton, Electronic, 4 Wheel

Model Number: XM574

NSN: 2330-00-086-7406

LIN:

SSN:

TM: 9-2330-271-14&P

CHARACTERISTICS

Electrical System: 24 Volt DC

Tires: Pneumatic, 8-ply

Brakes: Air over hydraulic

Blackout Lights: Yes

PERFORMANCE DATA

Fording:

W/Kit:

WO/Kit: 60 in

Departure Angle: 41 Degrees

VEHICLE DATA

Type Classification & Date:

Replaced By:

Life Expectancy: 30 Years

Payload: 20,000 lb

Gross Vehicle Weight: 31,540 lb

Air Transportability: In C5-A as is; In C141
W/dolly removed

EQUIPMENT OPTIONS

Kits:

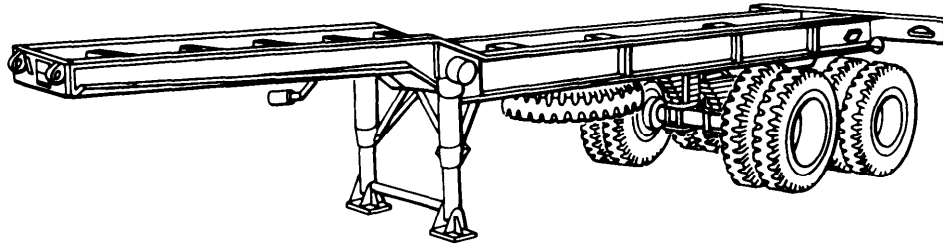
SHIPPING DATA

Weight: 11,540 lb

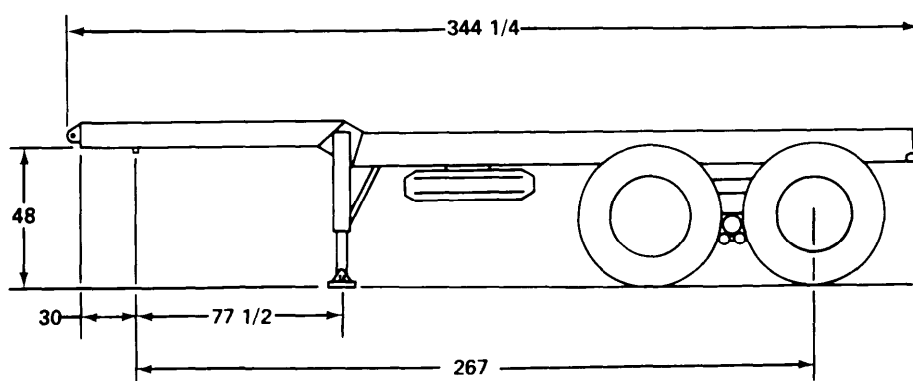
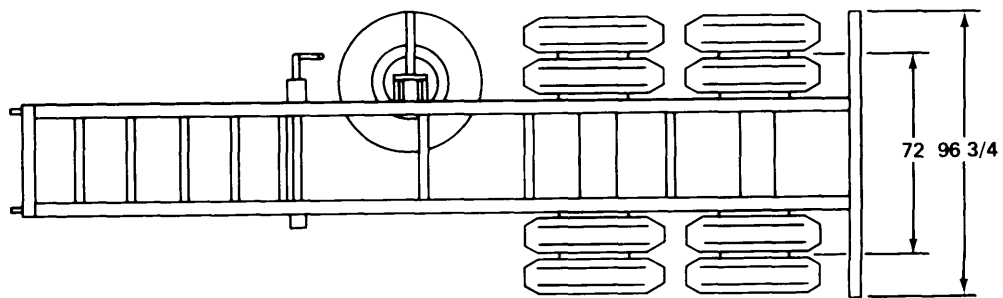
Cube: 2,757 cu ft

Ground Clearance: 16 in

Kingpin Height: 55 in W/Load
56 1/2 in WO/Load



NOTE:
ALL DIMENSIONS ARE IN INCHES.



TA208607

PURPOSE: Transport general cargo.

GENERAL INFORMATION

Nomenclature: SEMITRAILER, CHASSIS:
12-Ton, 4 Wheel

Model Number: M126A2C

NSN: 2330-00-788-6315

LIN:

SSN:

TM: 9-2330-207-14 & 24P

VEHICLE DATA

Type Classification & Date: Std B

Replaces/Replaced By:

Life Expectancy: 30 Years

Payload: 24,000 lb

Gross Vehicle Weight: 37,500 lb

Air Transportability: Phase III

CHARACTERISTICS

Electrical System: 24 Volt

Tires: 11:00 x 20, 12-ply

Brakes: Air

Blackout Lights:

EQUIPMENT OPTIONS

Kits:

PERFORMANCE DATA

Fording:

W/Kit: 55 in

WO/Kit:

Departure Angle: 50 Degrees

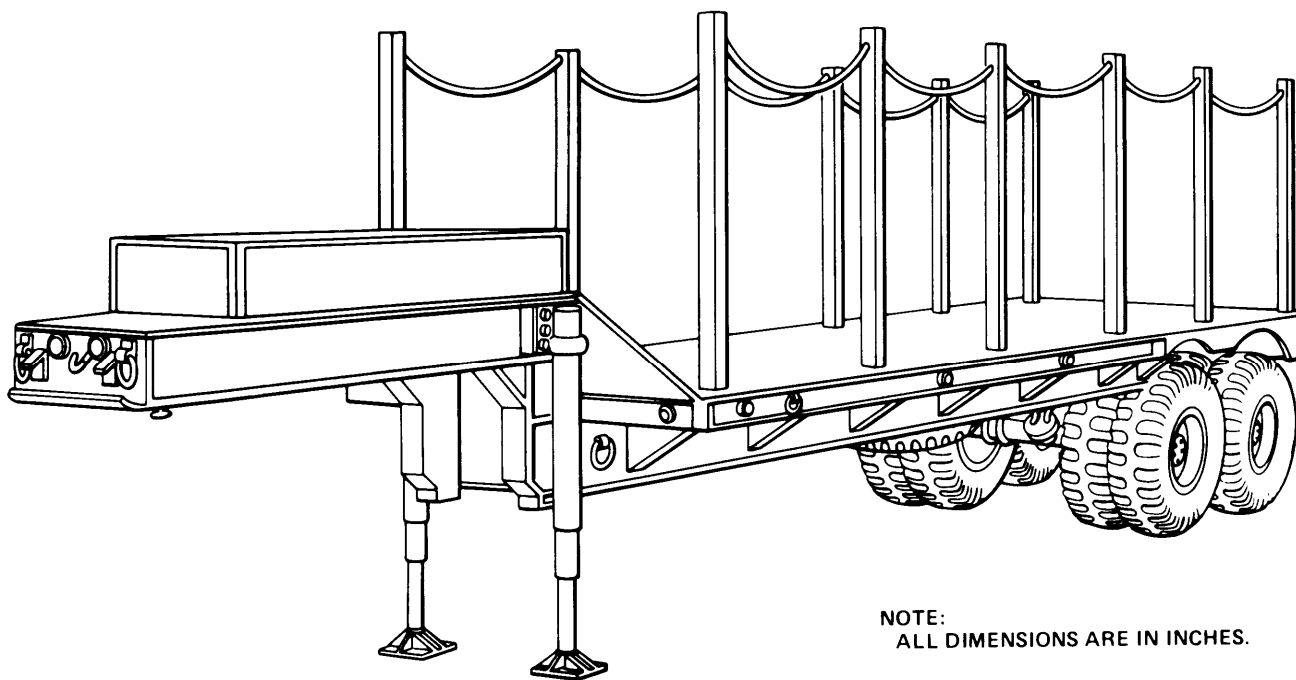
SHIPPING DATA

Weight: 8,180 lb

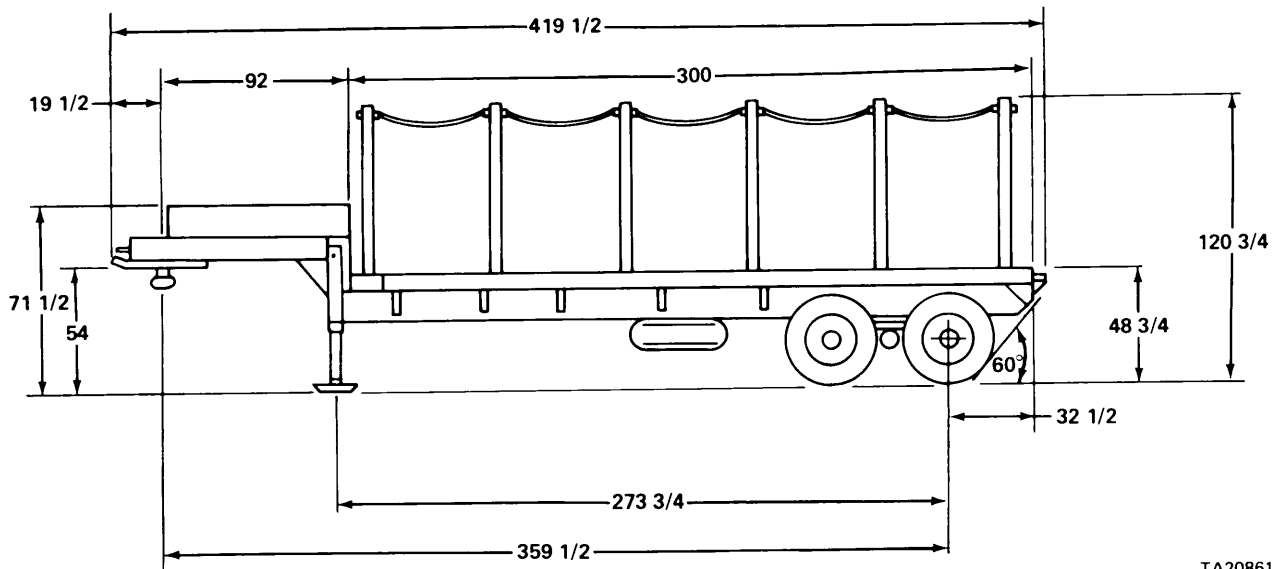
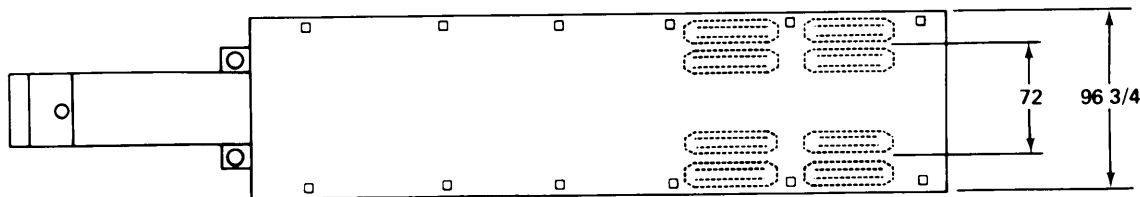
Cube: 1,030 cu ft

Ground Clearance: 17 in

Kingpin Height: 48 in



NOTE:
ALL DIMENSIONS ARE IN INCHES.



TA208615

PURPOSE: Transport new or salvage aircraft and general purpose cargo. Towed by Truck Tractor, 5 ton, 6x6 or similar vehicle equipped with fifth wheel.

GENERAL INFORMATION

Nomenclature: SEMITRAILER, LOW-BED: 12 Ton, Wrecker, 4 Wheel

Model Number: M269

NSN: 2330-00-395-1876

LIN: S70106

SSN: D010010

TM: 9-2330-220-Series

CHARACTERISTICS

Electrical System: 24 Volt

Tires: 11:00 x 20, 12-ply

Brakes: Air

Blackout Lights: Yes

PERFORMANCE DATA

Fording: Submersible

Departure Angle: 60 Degrees

VEHICLE DATA

Type Classification & Date: Std B, 1958

Replaced By: M269A1

Life Expectancy: 30 Years

Payload: 24,000 lb

Gross Vehicle Weight: 38,200 lb

Air Transportability: Phase III

EQUIPMENT OPTIONS

Kits:

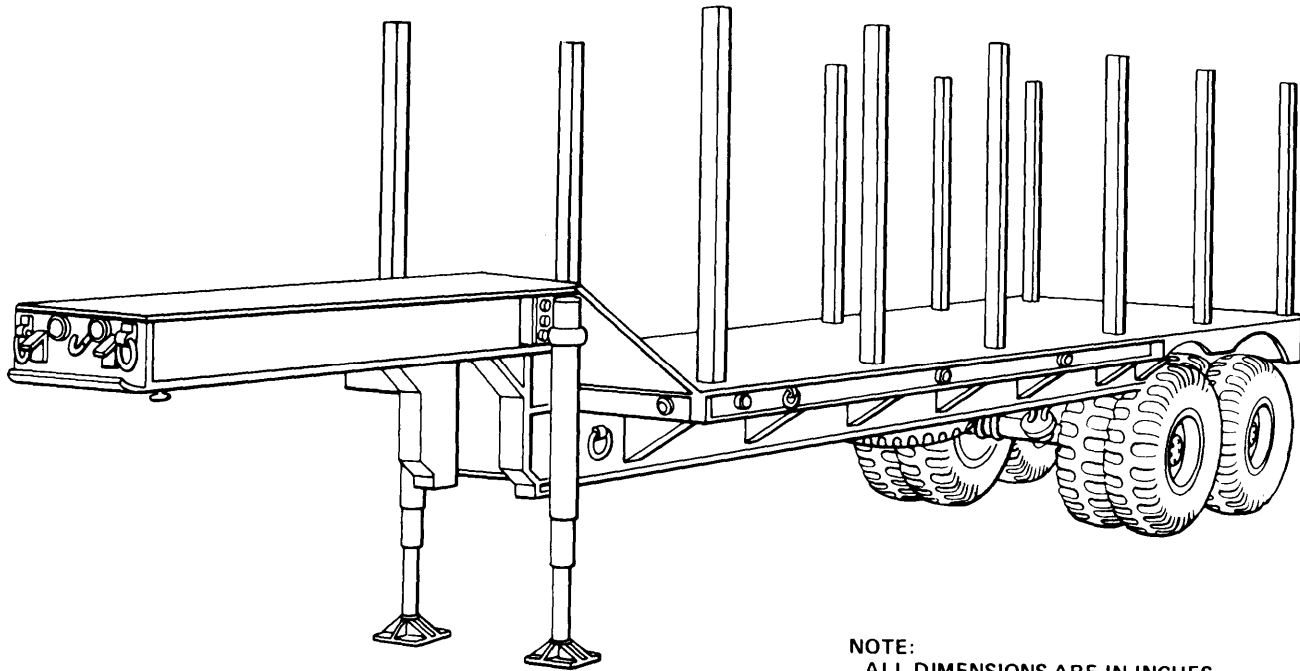
SHIPPING DATA

Weight: 14,200 lb

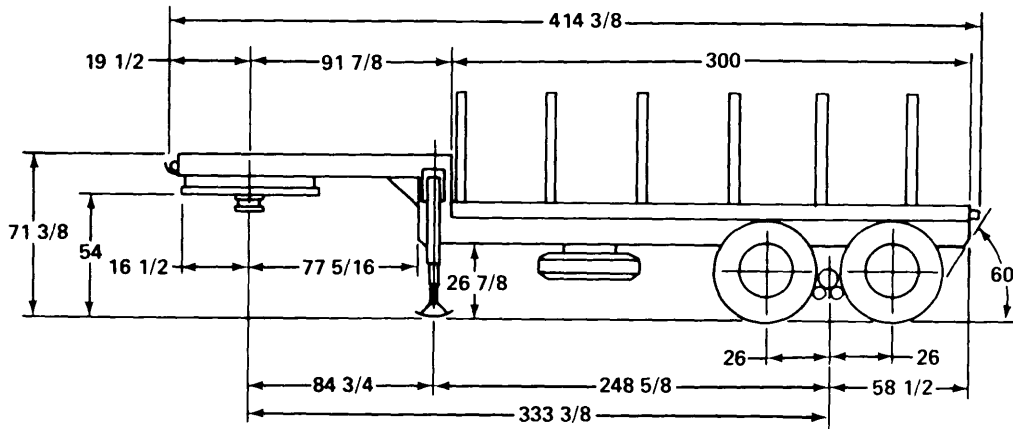
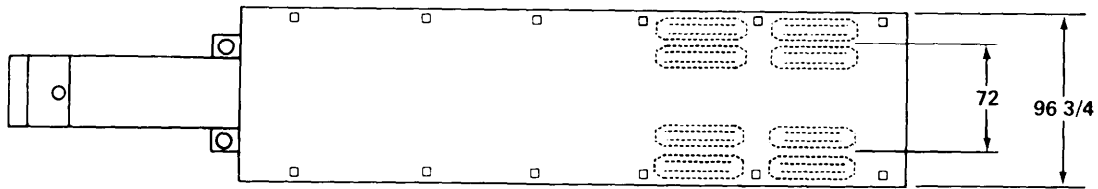
Cube: 2,808.5 cu ft

Ground Clearance: 18 in

Kingpin Height: 54 in



NOTE:
ALL DIMENSIONS ARE IN INCHES.



TA208616

PURPOSE: Transport aircraft or general purpose cargo. Towed by truck tractor, 5 ton, 6x6 or similar vehicle equipped with fifth wheel.

GENERAL INFORMATION

Nomenclature: SEMITRAILER, LOW-BED: 12-Ton, Wrecker, 4 Wheel, W/E

Model Number: M269A1

NSN: 2330-00-542-2980

LIN: S70106

SSN: D010010

TM: 9-2330-220-Series

VEHICLE DATA

Type Classification & Date: Std A, 1971

Replaces: M269

Life Expectancy: 30 Years

Payload: 24,000 lb

Gross Vehicle Weight: 38,200 lb

Air Transportability: Phase III

CHARACTERISTICS

Electrical System: 24 Volt

Tires: 11:00 x 20, 12-ply

Brakes: Air over hydraulic

Blackout Lights: Yes

EQUIPMENT OPTIONS

Kits:

PERFORMANCE DATA

Fording: Submersible

W/Kit:

WO/Kit: 60 in

Departure Angle: 60 Degrees

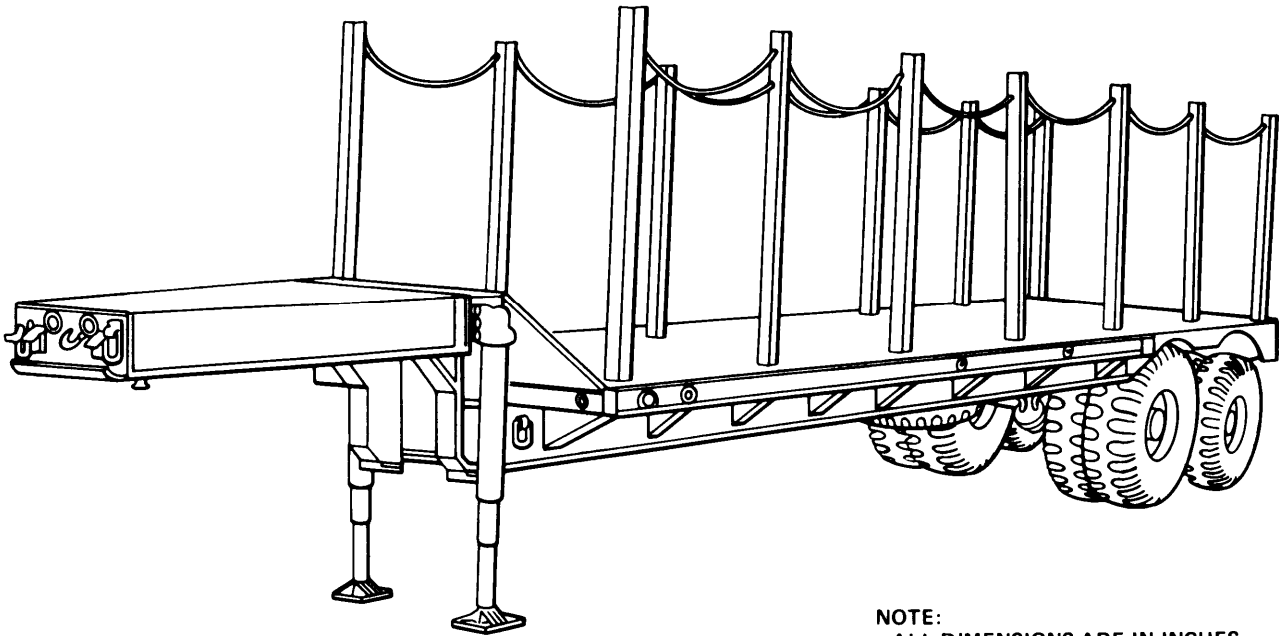
SHIPPING DATA

Weight: 14,200 lb

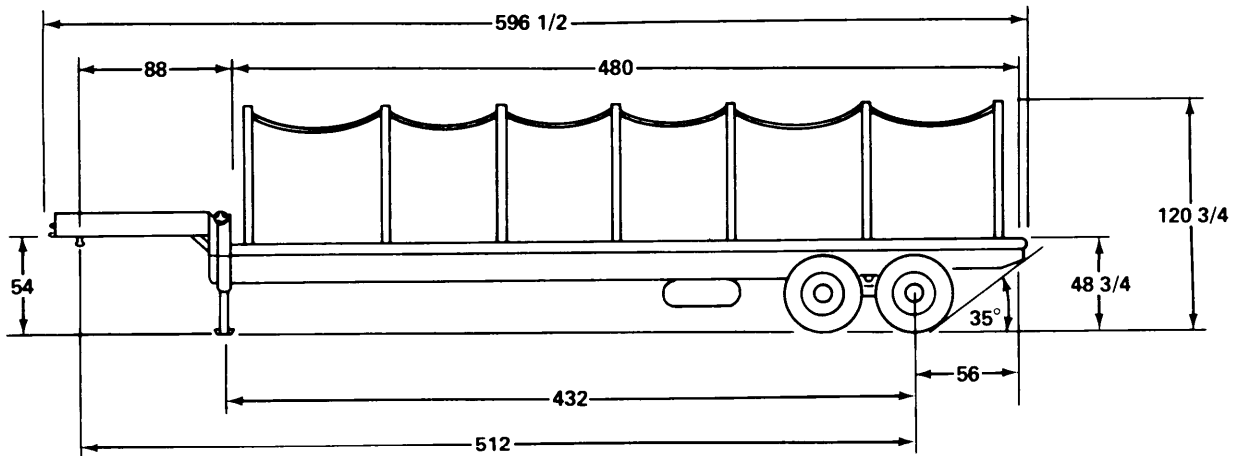
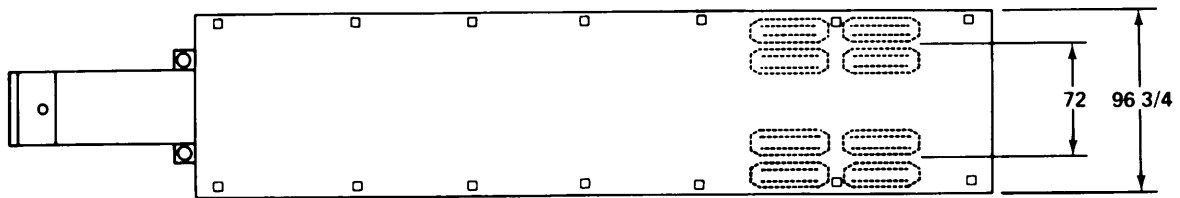
Cube: 2,849.5 cu ft

Ground Clearance: 17 in

Kingpin Height: 54 in



NOTE:
ALL DIMENSIONS ARE IN INCHES.



TA208617

PURPOSE: Transport new or salvage aircraft or general purpose cargo.
Towed by truck tractor, 5 ton, 6x6 or similar vehicle equipped with fifth wheel.

GENERAL INFORMATION

Nomenclature: SEMITRAILER, LOW-BED: 12-Ton, Wrecker, 4 Wheel

Model Number: M270

NSN: 2330-00-395-1877

LIN: S70243

SSN: D010010

TM: 9-2330-220-Series

VEHICLE DATA

Type Classification & Date: Std B, 1958

Replaced By: M270A1

Life Expectancy: 30 Years

Payload: 24,000 lb

Gross Vehicle Weight: 41,500 lb

Air Transportability: Phase III

CHARACTERISTICS

Electrical System: 24 Volt

Tires: 11:00 x 20, 12-ply

Brakes: Air

Blackout Lights: Yes

EQUIPMENT OPTIONS

Kits;

PERFORMANCE DATA

Fording: Submersible

W/Kit:

WO/Kit: 48 in

Departure Angle: 35 Degrees

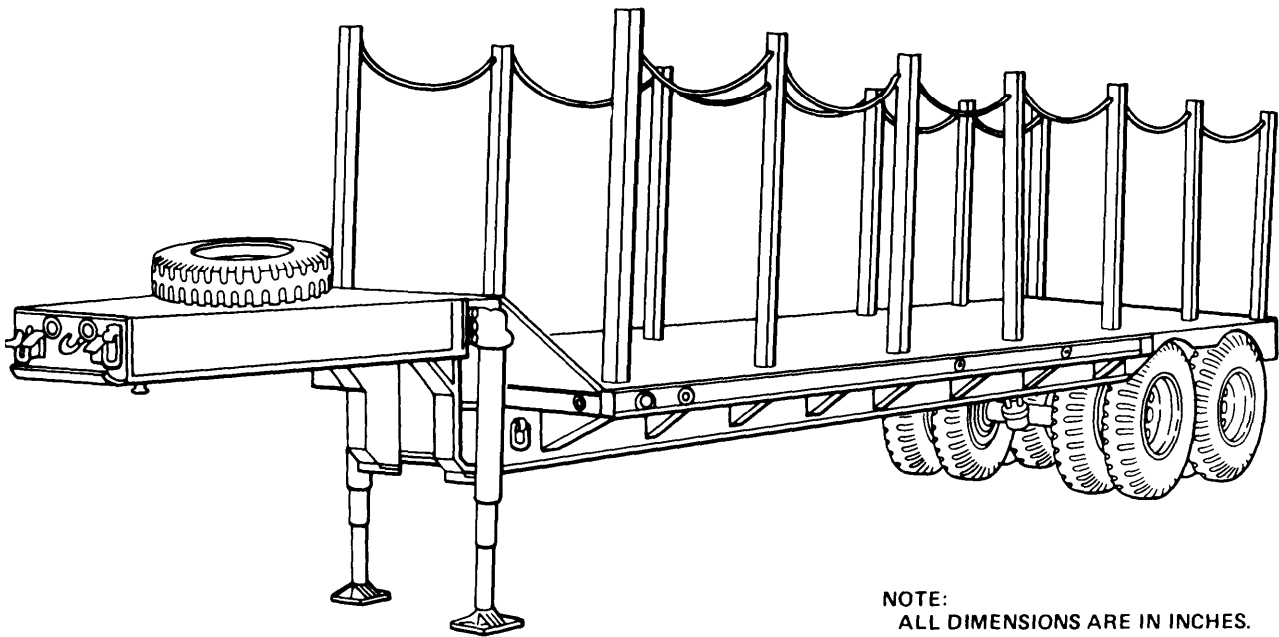
SHIPPING DATA

Weight: 17,500 lb

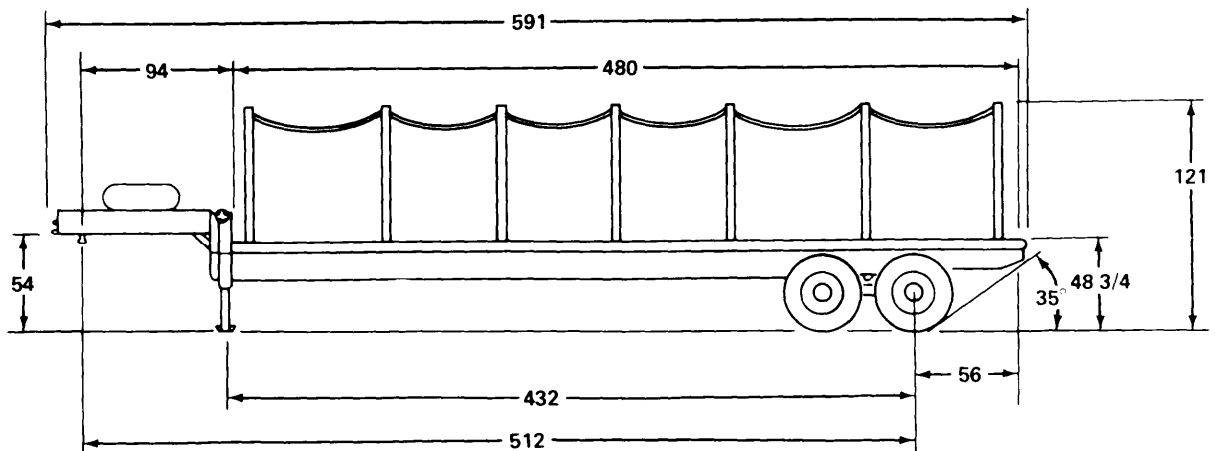
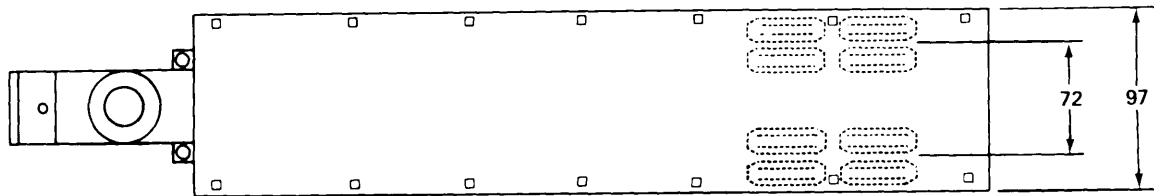
Cube: 4,027.8 cu ft

Ground Clearance: 18 in

Kingpin Height: 54 in



NOTE:
ALL DIMENSIONS ARE IN INCHES.



TA208618

PURPOSE: Transport new or salvage aircraft and general purpose cargo. Towed by AM818 series Truck Tractor, 5 ton, 6x6 or similar vehicle equipped with fifth wheel.

GENERAL INFORMATION

Nomenclature: SEMITRAILER, LOW-BED: 12-Ton, Wrecker, 4 Wheel

Model Number: M270A1

NSN: 2330-00-289-7515

LIN: S70243

SSN: D010010

TM: 9-2330-371-14&P

VEHICLE DATA

Type Classification & Date: Std B, 1959

Replaces:

Life Expectancy: 30 Years

Payload: Maximum: 40,000 lb
Off Road: 24,000 lb

Gross Vehicle Weight: 41,500 lb

Air Transportability: Phase III

CHARACTERISTICS

Electrical System: 24 Volt

Tires: 11:00 x 20, 12-ply

Brakes: Air over hydraulic

Blackout Lights:

EQUIPMENT OPTIONS

Kits:

PERFORMANCE DATA

Fording: Submersible

W/Kit:

WO/Kit: 48 in

Departure Angle: 35 Degrees

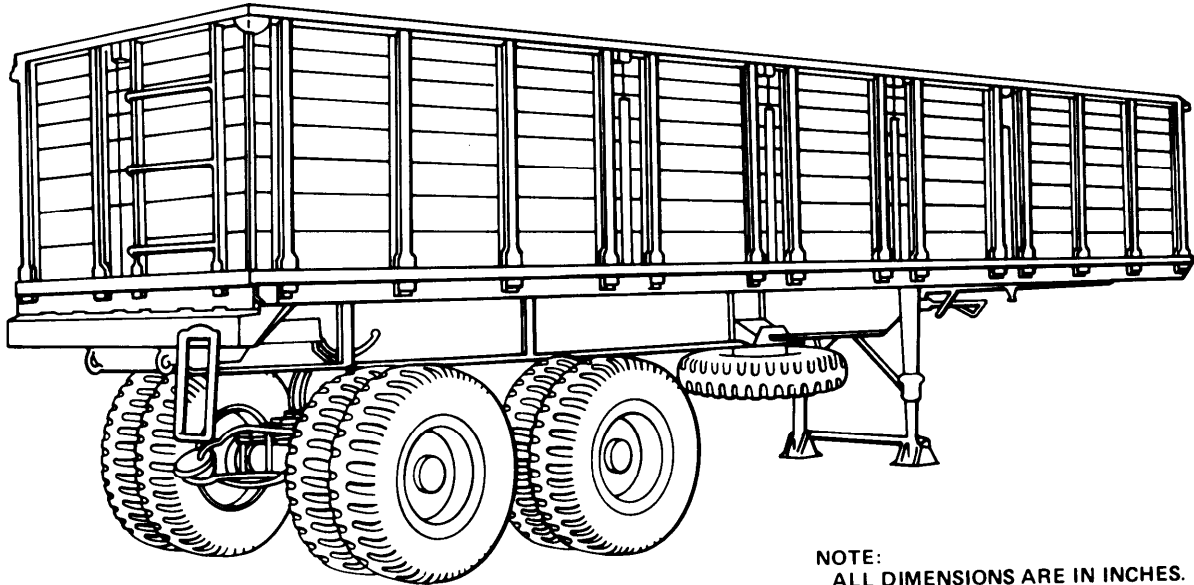
SHIPPING DATA

Weight: 17,500 lb

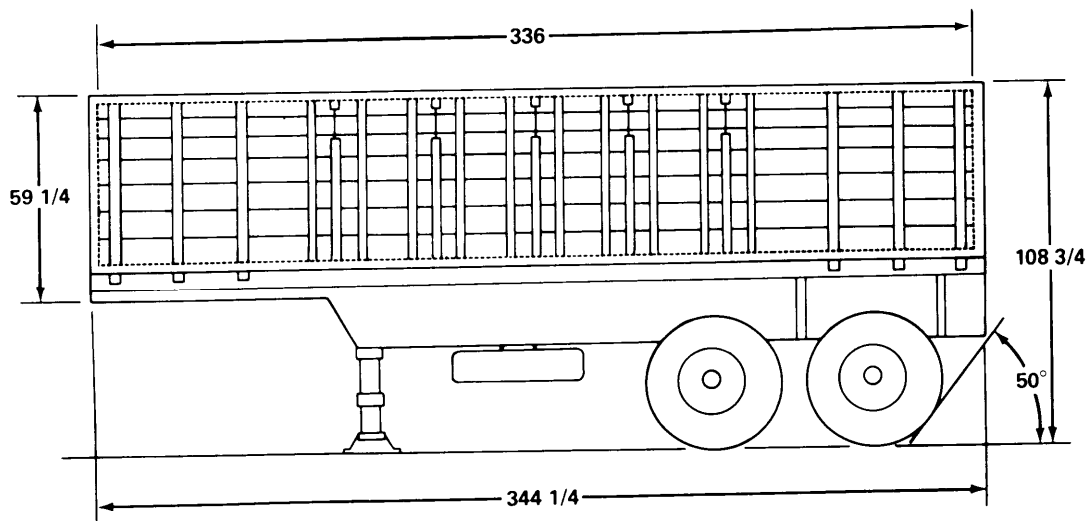
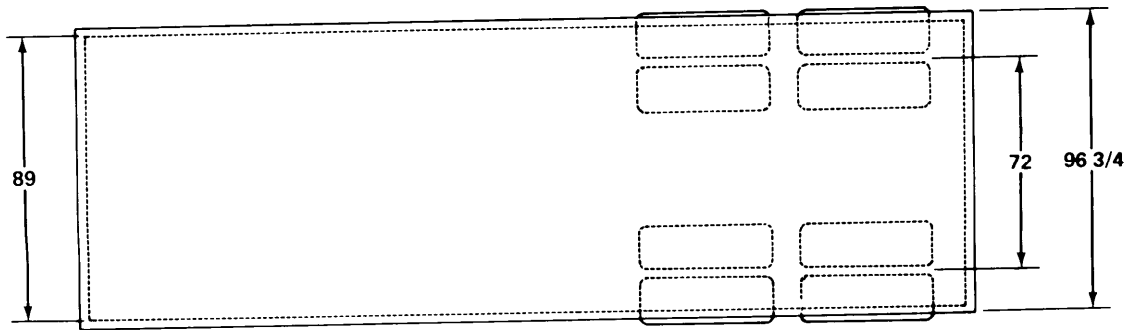
Cube: 4,180.3 cu ft

Ground Clearance: 18 in

Kingpin Height: 54 in



NOTE:
ALL DIMENSIONS ARE IN INCHES.



TA208683

PURPOSE: Transport general cargo. Can transport military supplies over unimproved roads, trails, and open rolling terrain.

GENERAL INFORMATION

Nomenclature: SEMITRAILER, STAKE:
12-Ton, 4 Wheel, W/E

Model Number: M127

NSN: 2330-00-797-9207

LIN: S72024

SSN: D018010

TM: 9-2330-207-14&24P

CHARACTERISTICS

Electrical System: 24 Volt

Tires: 11:00 x 20, 12-ply

Brakes: Air

Blackout Lights: Yes

PERFORMANCE DATA

Fording: Dependent on towing vehicle

W/Kit:

WO/Kit: 55 in

Departure Angle: 50 Degrees

VEHICLE DATA

Type Classification & Date: Std B, 1967

Replaces: M127A2C

Life Expectancy: 30 Years

Payload: 24,000 lb

Gross Vehicle Weight: 37,500 lb

Air Transportability: Phase III

EQUIPMENT OPTIONS

Kits: Tarpaulin

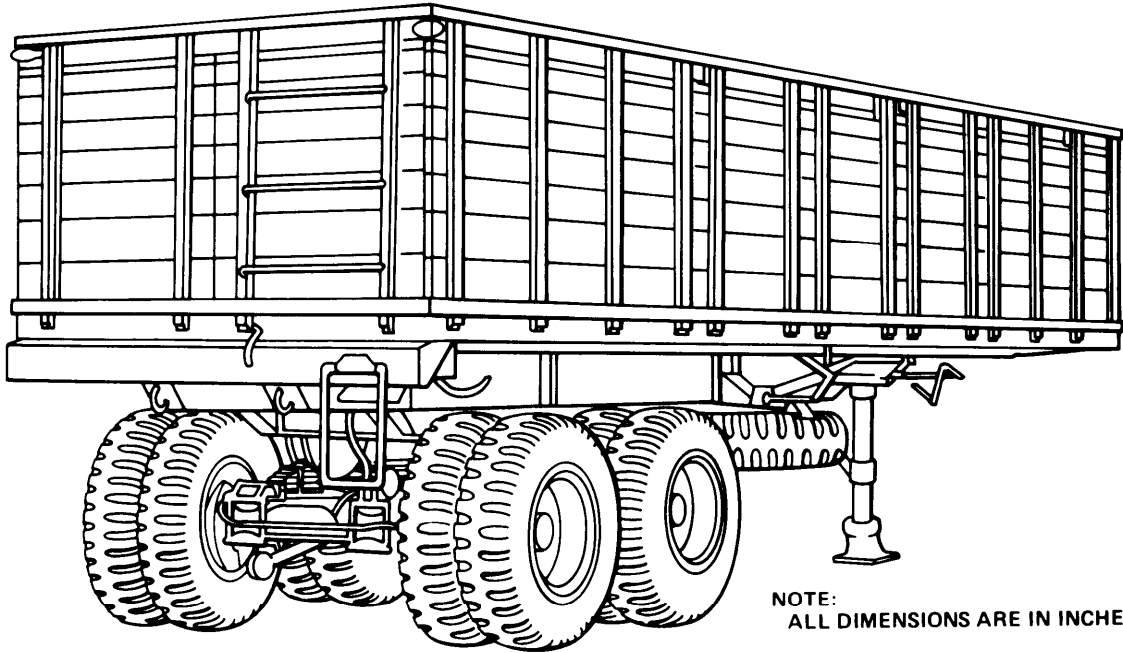
SHIPPING DATA

Weight: 13,500 lb

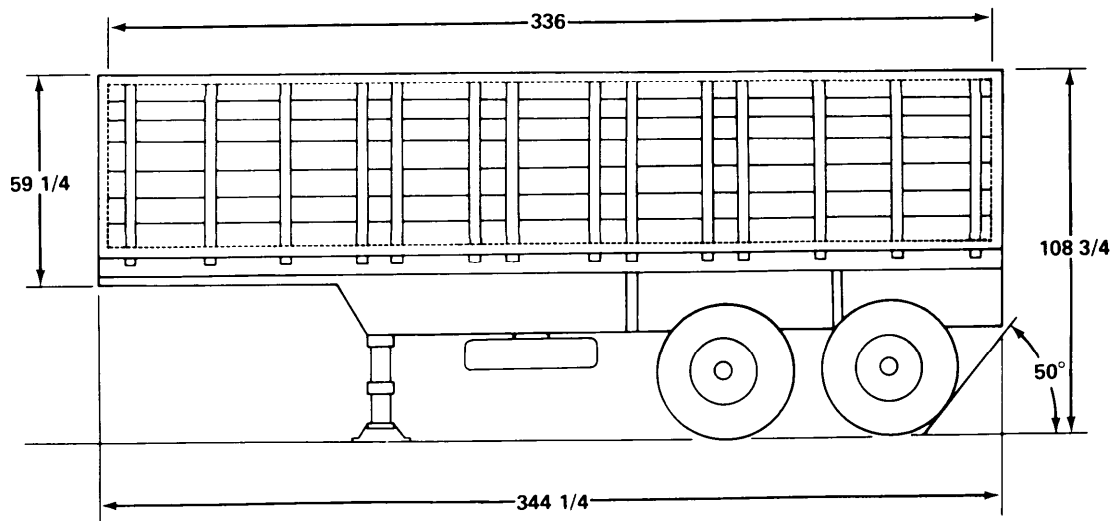
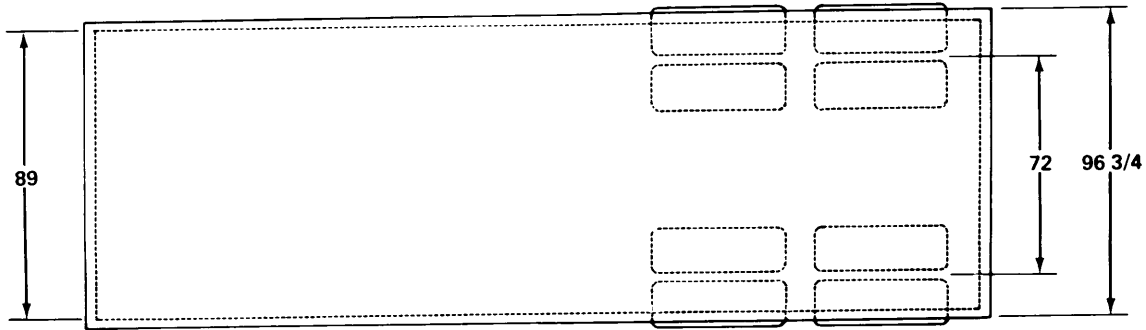
Cube: 2,106.9 cu ft

Ground Clearance: 11 3/16 in

Kingpin Height: 48 1/2 in



NOTE:
ALL DIMENSIONS ARE IN INCHES.



TA208680

PURPOSE: Transport general cargo. Prime mover, 5 ton, 6x6, Truck Tractors.

GENERAL INFORMATION

Nomenclature: SEMITRAILER, STAKE:
12-Ton, 4 Wheel

Model Number: M127A1

NSN: 2330-00-048-7743

LIN: S72024

SSN: D018010

TM: 9-2330-207-14 & 24P

VEHICLE DATA

Type Classification & Date: Std B, 1967

Replaces: M127A2C

Life Expectancy: 30 Years

Payload: 24,000 lb

Gross Vehicle Weight: 38,400 lb

Air Transportability: Phase III

CHARACTERISTICS

Electrical System: 24 Volt

Tires: 8, 11:00 x 20

Brakes: Air over hydraulic

Blackout Lights: Yes

EQUIPMENT OPTIONS

Kits: Tarpaulin

PERFORMANCE DATA

Fording: Dependent on towing vehicle

W/Kit:

WO/Kit: 55 in

Departure Angle: 50 Degrees

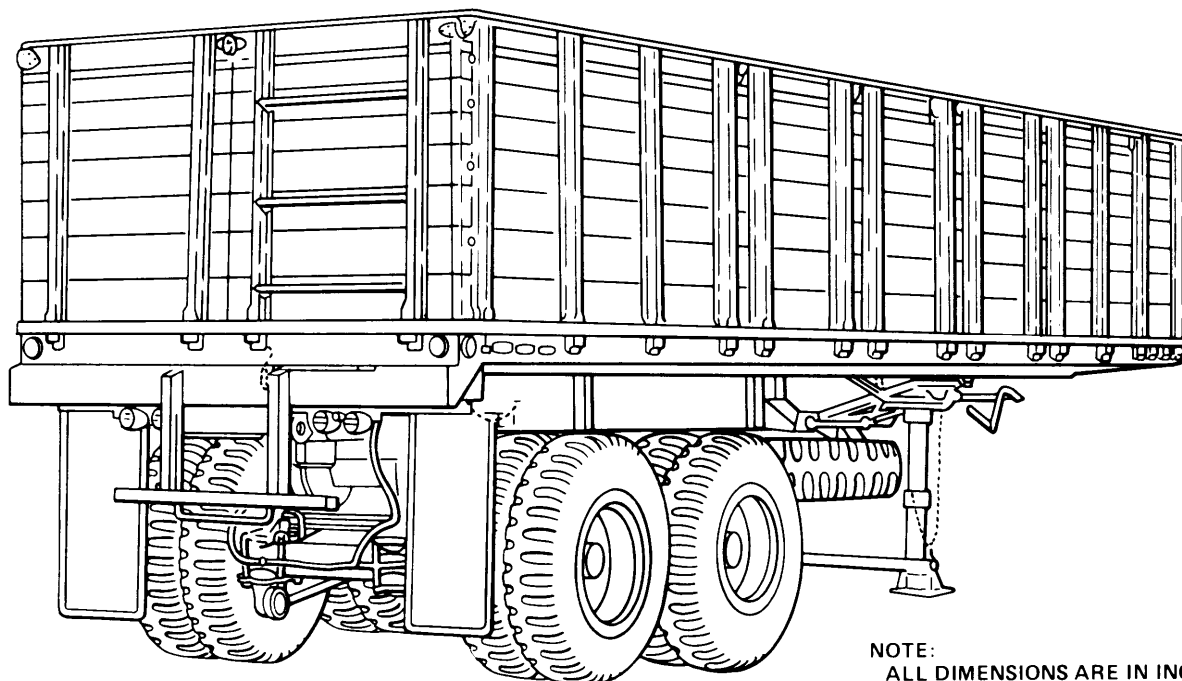
SHIPPING DATA

Weight: 14,400 lb

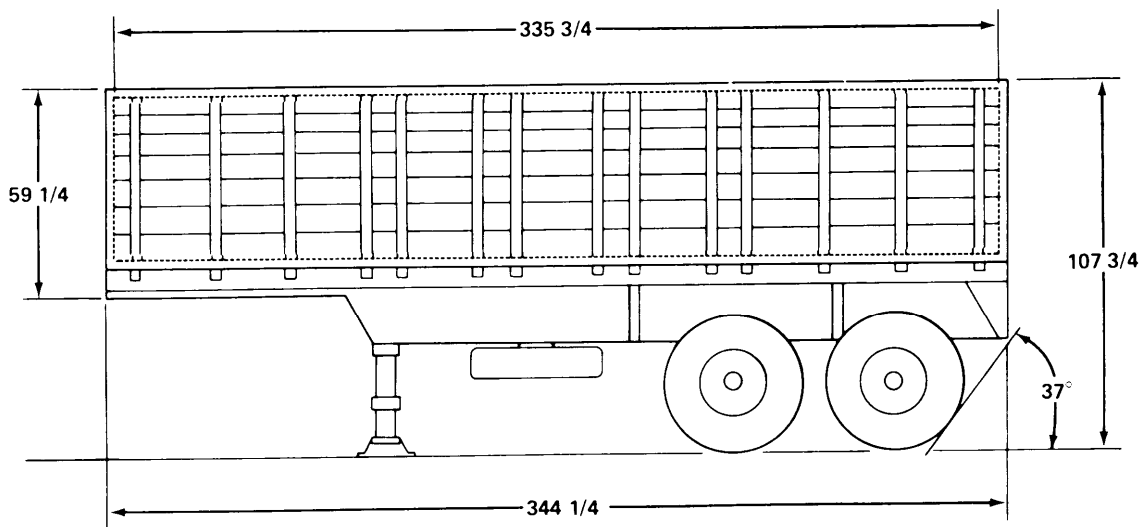
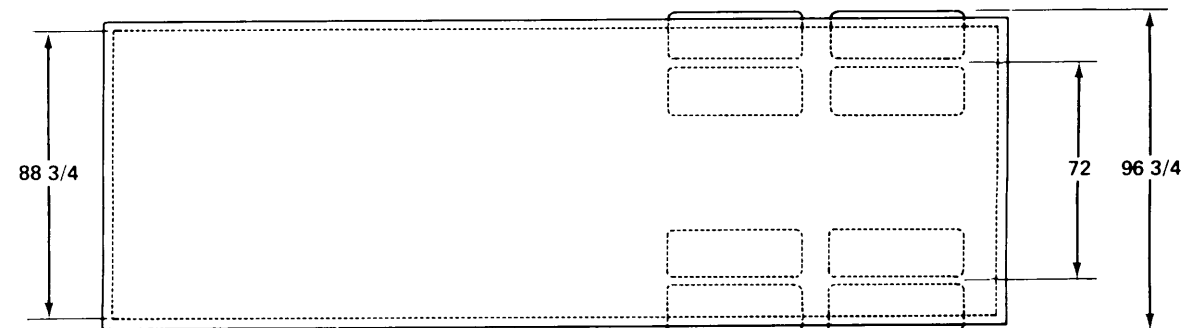
Cube: 2,106.9 cu ft

Ground Clearance: 11 3/16 in

Kingpin Height: 48 1/2 in



NOTE:
ALL DIMENSIONS ARE IN INCHES.



TA208681

PURPOSE: Transport general cargo.

GENERAL INFORMATION

Nomenclature: SEMITRAILER, STAKE:
12-Ton, 4 Wheel

Model Number: M127A1C

NSN: 2330-00-752-9750

LIN: S72024

SSN: D018010

TM: 9-2330-207-14 & 24P

CHARACTERISTICS

Electrical System: 24 Volt, 12 Volt

Tires: 11:00 x 20, 12-ply

Brakes: Air over hydraulic

Blackout Lights: Yes

PERFORMANCE DATA

Fording: Dependent on towing vehicle

W/Kit:

WO/Kit: 55 in

Departure Angle: 50 Degrees

VEHICLE DATA

Type Classification & Date: Std B, 1965

Replaced By: M127A2C

Life Expectancy: 30 Years

Payload: 24,000 lb

Gross Vehicle Weight: 38,400 lb

Air Transportability: Phase **III**

EQUIPMENT OPTIONS

Kits: Tarpaulin

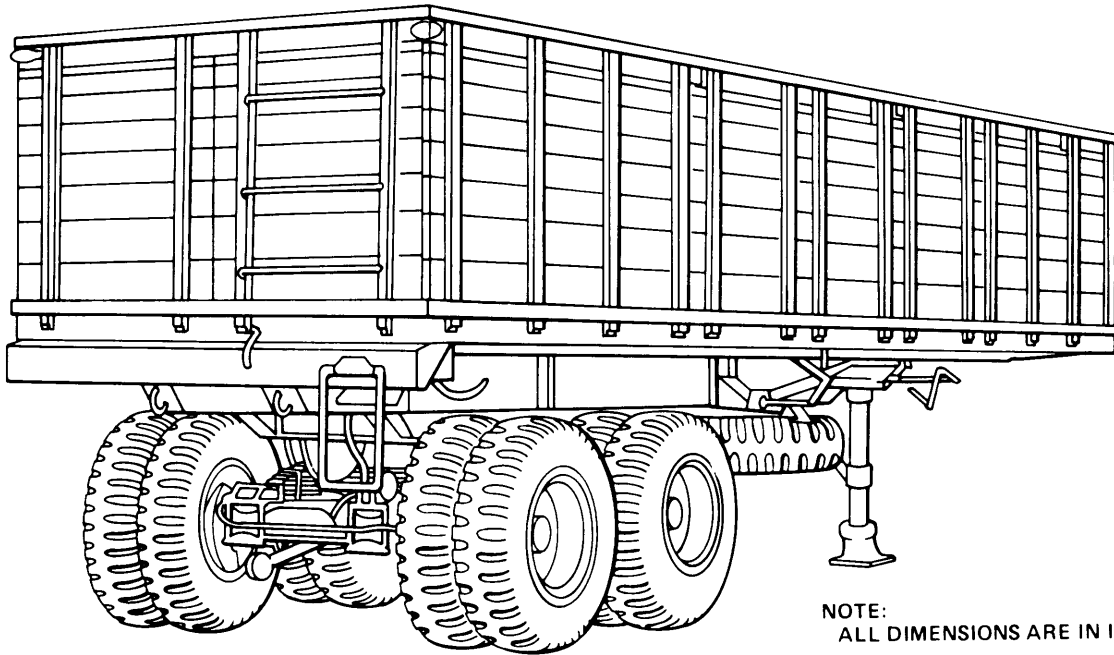
SHIPPING DATA

Weight: 14,400 lb

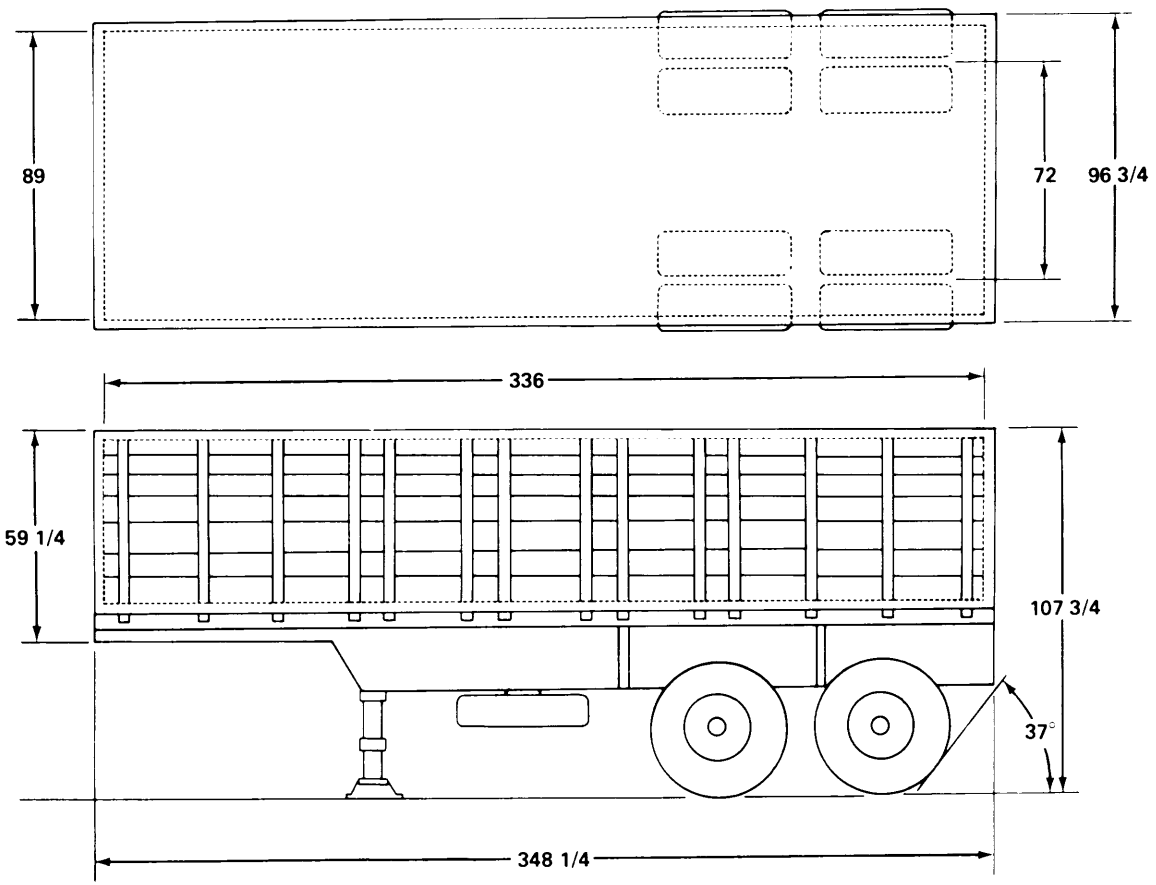
Cube: 2,143.2 cu ft

Ground Clearance: 9 in

Kingpin Height: 48 1/2 in



NOTE:
ALL DIMENSIONS ARE IN INCHES.



TA208682

PURPOSE: Transport general cargo. Prime mover, 5 ton, 6x6, Truck Tractors.

GENERAL INFORMATION

Nomenclature: SEMITRAILER, STAKE:
12-Ton, 4 Wheel

Model Number: M127A20

NSN: 2330-00-788-6299

LIN: S72024

SSN: D0018010

TM: 9-2330-207-14 & 24P

VEHICLE DATA

Type Classification & Date: Std A, 1965

Replaces: M127A1C

Life Expectancy: 30 Years

Payload: 24,000 lb

Gross Vehicle Weight: 37,840 lb

Air Transportability: Phase III

CHARACTERISTICS

Electrical System: 24 Volt, 12 Volt

Tires: 11:00 x 20, 12-ply

Brakes: Air over hydraulic

Blackout Lights: Yes

EQUIPMENT OPTIONS

Kits: Paulin

PERFORMANCE DATA

Fording: Dependent on towing vehicle

W/Kit:

WO/Kit: 55 in

Departure Angle: 37 Degrees

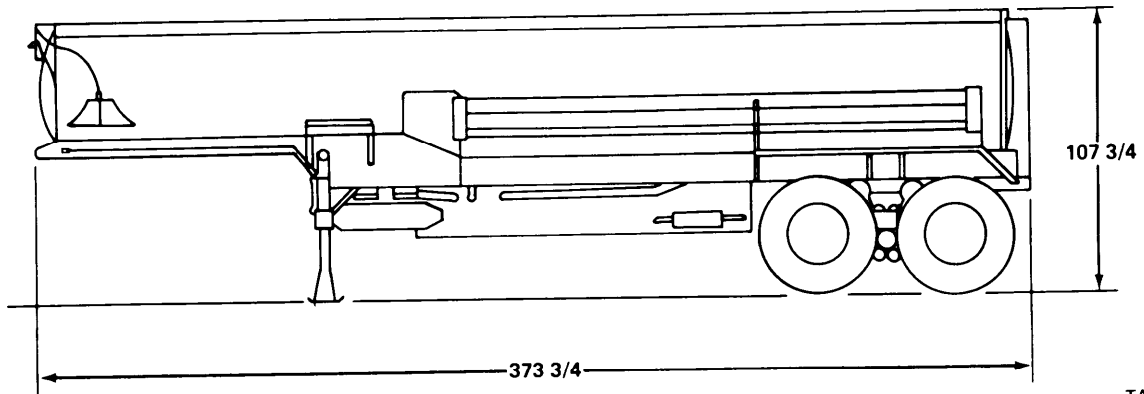
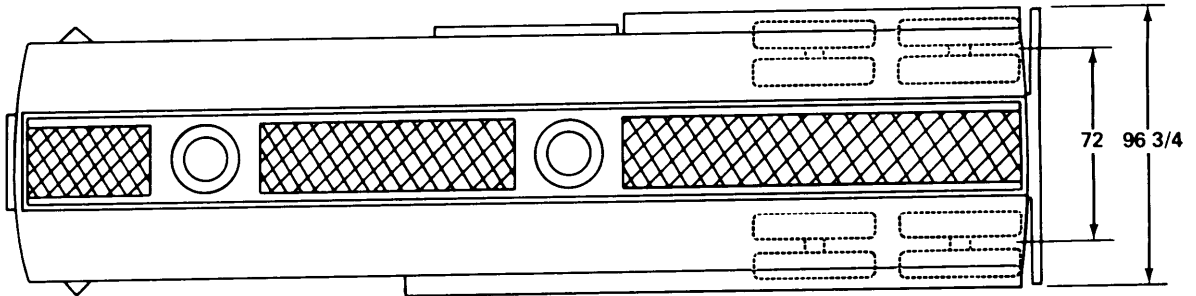
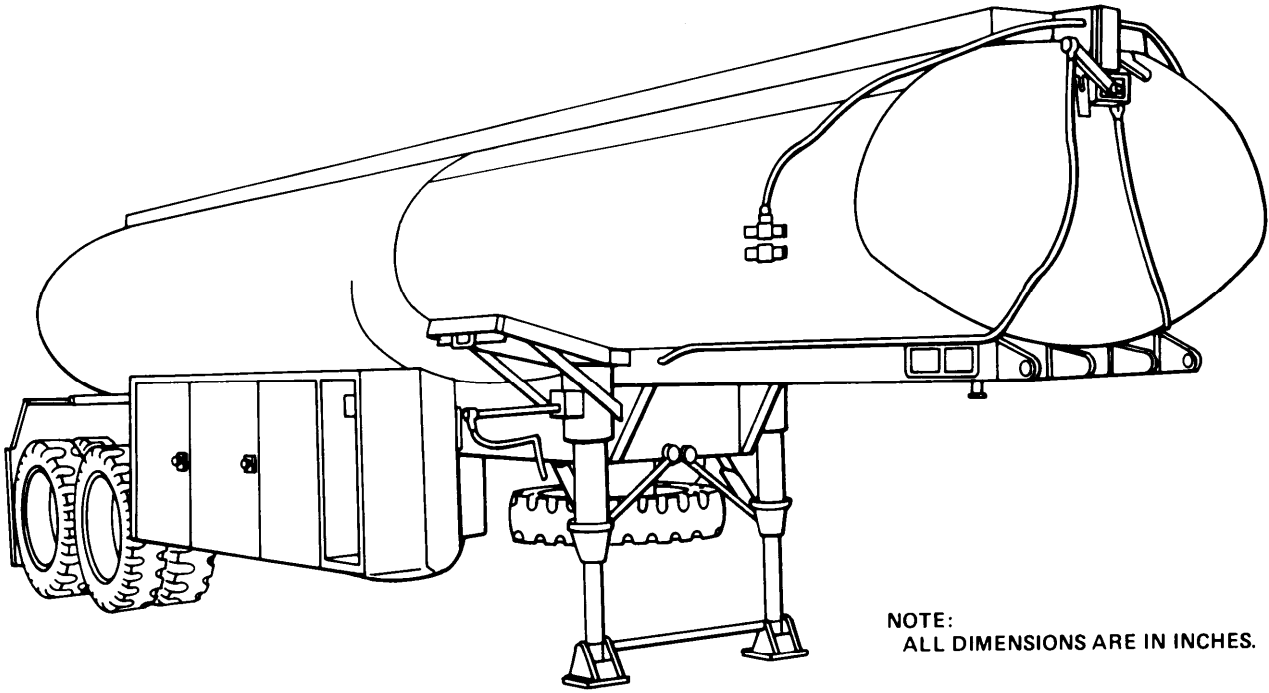
SHIPPING DATA

Weight: 13,840 lb

Cube: 2,144.6 cu ft

Ground Clearance: 9 in

Kingpin Height: 48 1/2 in



TA208648

PURPOSE: Fuel servicing vehicle, towed by Truck Tractor, 5-Ton, 6x6, or similar vehicle equipped with fifth wheel.

GENERAL INFORMATION

Nomenclature: SEMITRAILER, TANK:
12-Ton, Fuel Servicing, 5,000 Gal,
4 Wheel

Model Number: M131A5

NSN: 2330-00-226-6079

LIN: S72846

SSN: D023020

TM: 9-2330-272-14&P

CHARACTERISTICS

Electrical System: 24 Volt

Tires: 11:00 x 20, 12-ply

Brakes: Air over hydraulic

Blackout Lights: Yes

PERFORMANCE DATA

Fording:

W/Kit:

WO/Kit: 30 in

Approach Angle: 70 Degrees

Departure Angle: 60 Degrees

VEHICLE DATA

Type Classification & Date: Std B, 1975

Replaces/Replaced By:

Life Expectancy: 30 Years

Payload Cross Country: 23,265 lb

Payload Hard Surface: 35,250 lb

Gross Vehicle Weight Cross Country:
36,165 lb

Gross Vehicle Weight Hard Surface:
48,150 lb

Air Transportability: In C5A as is

EQUIPMENT OPTIONS

Kits: Vapor Recovery

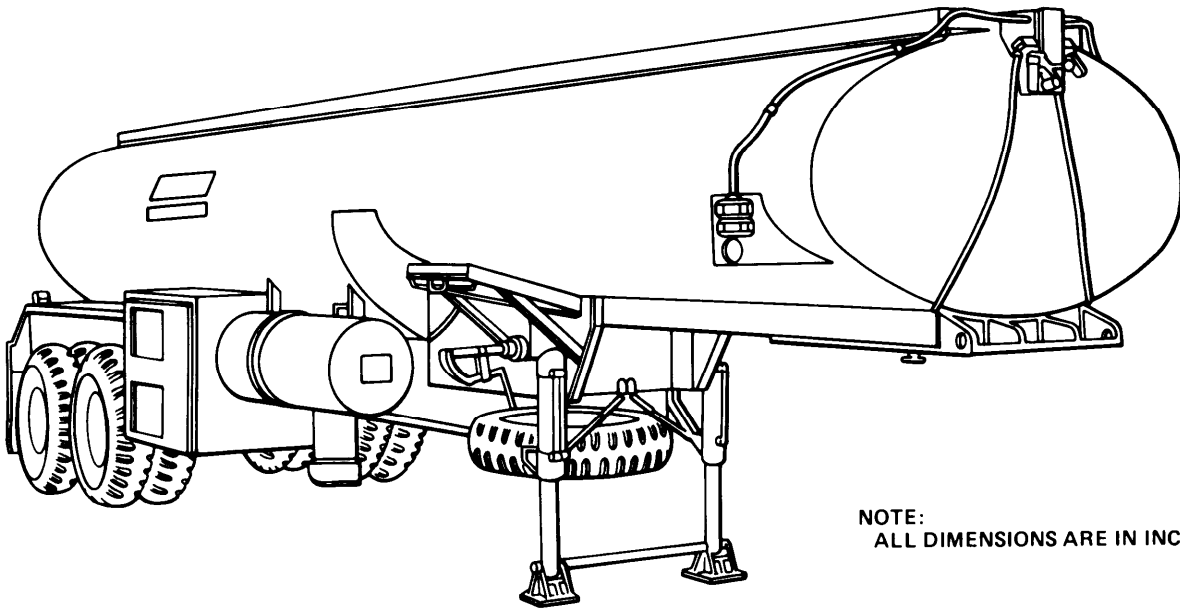
SHIPPING DATA

Weight: 12,900 lb

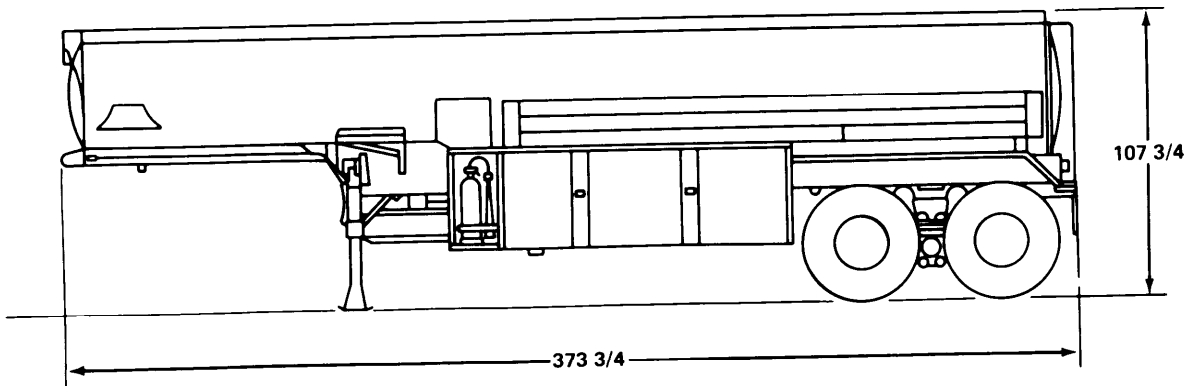
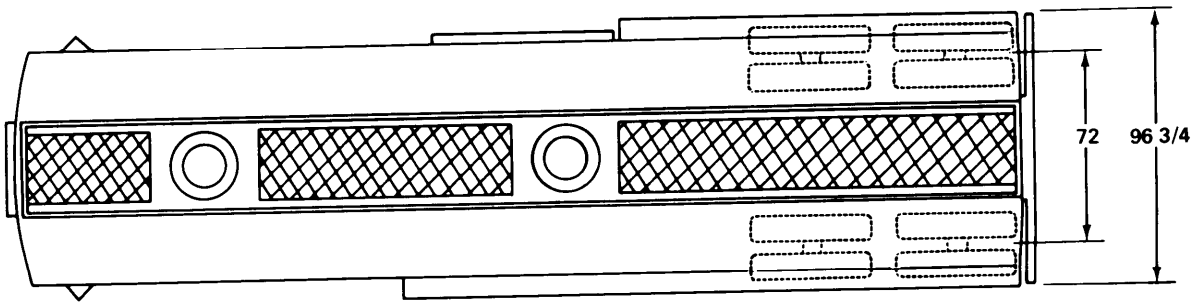
Cube: 2,255 cu ft

Ground Clearance: 21 3/4 in

Kingpin Height: 56 in



NOTE:
ALL DIMENSIONS ARE IN INCHES.



TA208647

PURPOSE: Fuel servicing vehicle, towed by Truck Tractor, 5-Ton, 6x6, or similar vehicle equipped with fifth wheel.

GENERAL INFORMATION

Nomenclature: SEMITRAILER, TANK:
12-Ton, Fuel Servicing, 5,000 Gal,
4 Wheel

Model Number: M131A5C

NSN: 2330-00-226-6080

LIN: S72983

SSN: D023020

TM: 9-2330-272-14&P

CHARACTERISTICS

Electrical System: 24 Volt

Tires: 11:00 x 20, 12-ply

Brakes: Air over hydraulic

Blackout Lights: Yes

PERFORMANCE DATA

Fording:

W/Kit:

WO/Kit: 30 in

Approach Angle: 70 Degrees

VEHICLE DATA

Type Classification & Date: Std B, 1971

Replaces/Replaced By:

Life Expectancy: 30 Years

Payload Cross Country: 23,100 lb

Payload Hard Surface: 35,250 lb

Gross Vehicle Weight Cross Country:
36,950 lb

Gross Vehicle Weight Hard Surface:
49,100 lb

Air Transportability: In C5A as is

EQUIPMENT OPTIONS

Kits: Vapor Recovery

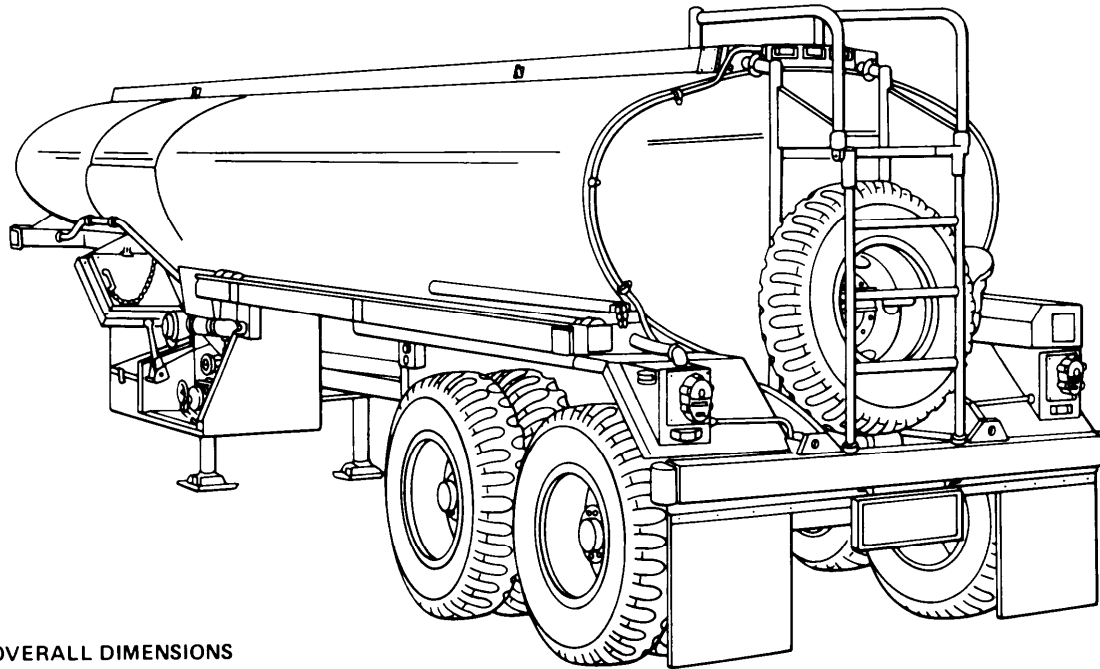
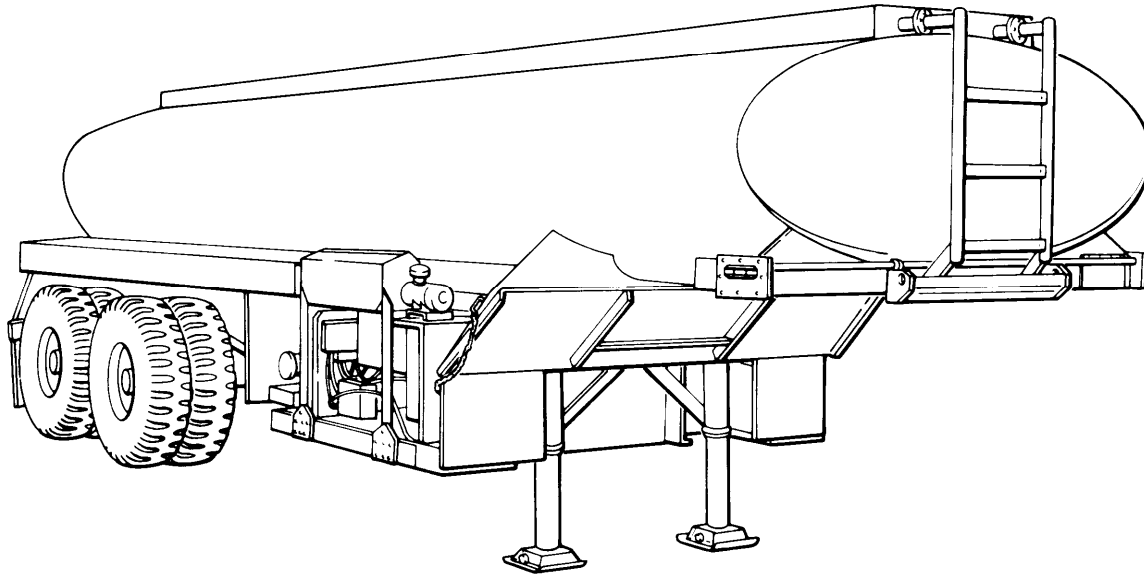
SHIPPING DATA

Weight: 13,850 lb

Cube: 2,255 cu ft

Ground Clearance: 21 3/4 in

Kingpin Height: 56 in



OVERALL DIMENSIONS

HEIGHT - 104 1/2

LENGTH - 366

WIDTH - 96

TO OUTSIDE OF TIRES - 97 3/4

**NOTE:
ALL DIMENSIONS ARE IN INCHES.**

TA208736

PURPOSE: Bulk delivery of fuel, can be loaded through the bottom or top fill opening. The 4 cylinder diesel engine and pump assembly provide self load/unload capability.

GENERAL INFORMATION

Nomenclature: SEMITRAILER, TANK:
12-Ton, Bulk Haul, 5,000 Gal, Self
Load/Unload

Model Number: M967A1

NSN: 2330-01-155-0046

LIN: S10059

SSN: D023040

TM: 9-2330-356-12&P, 34&P

CHARACTERISTICS

Electrical System Vehicle:

Voltage: 24-volt

Lamps:

Clearance lights: 3 CP
Taillights (service): 3 CP
Taillights (blackout): 3 CP
Stoplights (service): 32 CP

Tires: 11:00 x 20, 12-ply

Tire Pressures:

Crosscountry and sand: 40 psi
Hard surface roads: 60 psi

Brakes: Air

Blackout Lights: Yes

PERFORMANCE DATA

Fording:

W/Kit:

WO/Kit: 24 in

Departure Angle: 60 Degrees

PERFORMANCE DATA - Continued

Capacities of Tank (Vehicle Capacity):

Hard surface road and crosscountry: 5,000 gal.
20% maximum side slope wo/leakage: 5,000
gal.
10% maximum longitudinal slope wo/leakage:
5,000 gal.
Slope over 10%, slight leakage may occur. If
slope over 10% anticipated, reduce payload to
3,800 gallons.

Center of Gravity:

Empty (vertical): 54 in
Empty (horizontal from kingpin): 198 in
Loaded (vertical): 66.5 in
Loaded (horizontal from kingpin): 170 in

Engine:

Type: (Onan) 4 cyl, 4 cycle, diesel, air cooled
Model: DJC-MS12315T

VEHICLE DATA

Type Classification & Date: Std A, 1984

Replaces: M131 Series, M967

Life Expectancy: 30 Years

Payload: 33,950 lb

Gross Vehicle Weight: 46,950

Air Transportability: Phase III

EQUIPMENT OPTIONS

Kits: Vapor Recovery

SHIPPING DATA

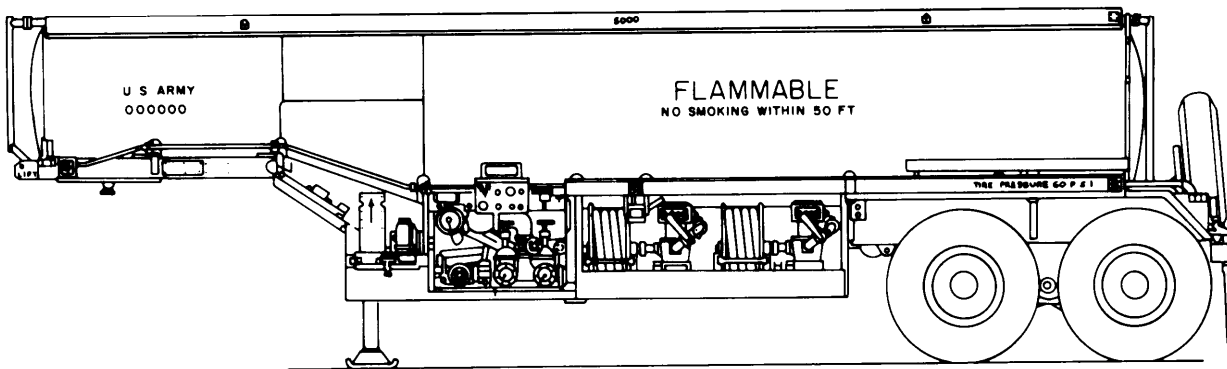
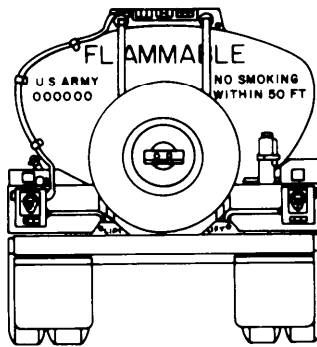
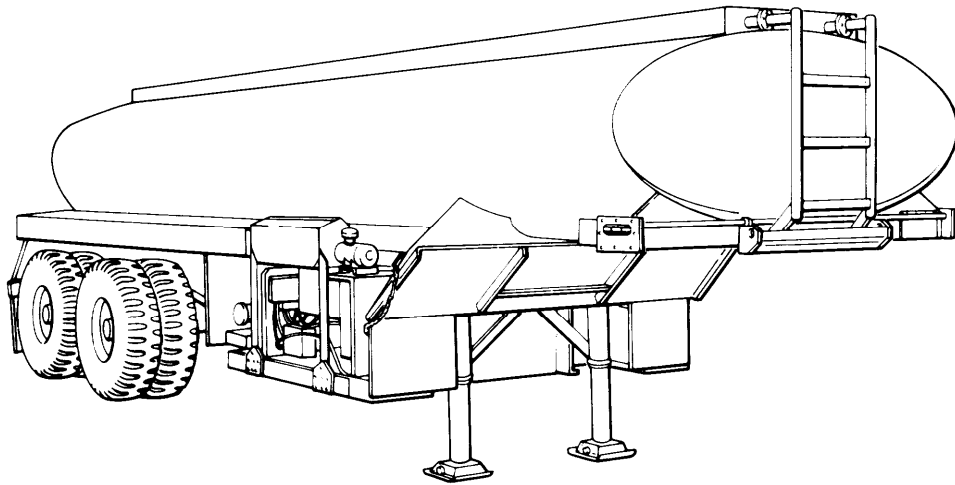
Weight: Empty -13,000 lb

Weight: Loaded -46,950 lb

Cube: 2,126.2 cu ft

Ground Clearance: 19 1/2 in

Kingpin Height: 56 in



OVERALL DIMENSIONS

HEIGHT -104 1/2
LENGTH -366
WIDTH -96
TO OUTSIDE OF TIRES -97 3/4

NOTE:
ALL DIMENSIONS ARE IN INCHES.

TA208737

PURPOSE: Automotive refueling.

GENERAL INFORMATION

Nomenclature: SEMITRAILER, TANK:
12-Ton, Fuel Dispensing, 5,000 Gal,
Automotive

Model Number: M969A1

NSN: 2330-01-155-0048

LIN: S73372

SSN: D023060

TM: 9-2330-356-12&P, 34&P

CHARACTERISTICS

Electrical System Vehicle:

Voltage: 24-volt

Lamps:

Clearance lights: 3 CP
Taillights (service): 3 CP
Taillights (blackout): 3 CP
Stoplights (service): 32 CP

Tires: 11:00 x 20, 12-ply

Brakes: Air

Blackout Lights: Yes

PERFORMANCE DATA

Fording:

W/Kit:

WO/Kit: 24 in

Departure Angle: 60 Degrees

PERFORMANCE DATA - Continued

Capacities of Tank (Vehicle Capacity):

Hard surface road and crosscountry: 5,000 gal.
20% maximum side slope wo/leakage: 5,000
gal.

10% maximum longitudinal slope wo/leakage:
5,000 gal.

Slope over 10%, slight leakage may occur. If
slope over 10% anticipated, reduce payload to
3,800 gallons.

Center of Gravity:

Empty (vertical): 54 in
Empty (horizontal from kingpin): 198 in
Loaded (vertical): 66.5 in
Loaded (horizontal from kingpin): 170 in

Engine:

Type: (Onan) 4 cyl, 4 cycle, diesel, air cooled
Model: DJC-MS12315T

VEHICLE DATA

Type Classification & Date: Std A, 1984

Replaces: M131A4C, A50 and M969

Life Expectancy: 30 Years

Payload: 33,950 lb

Gross Vehicle Weight: 48,950

Air Transportability: Phase III

EQUIPMENT OPTIONS

Kits: Vapor Recovery

SHIPPING DATA

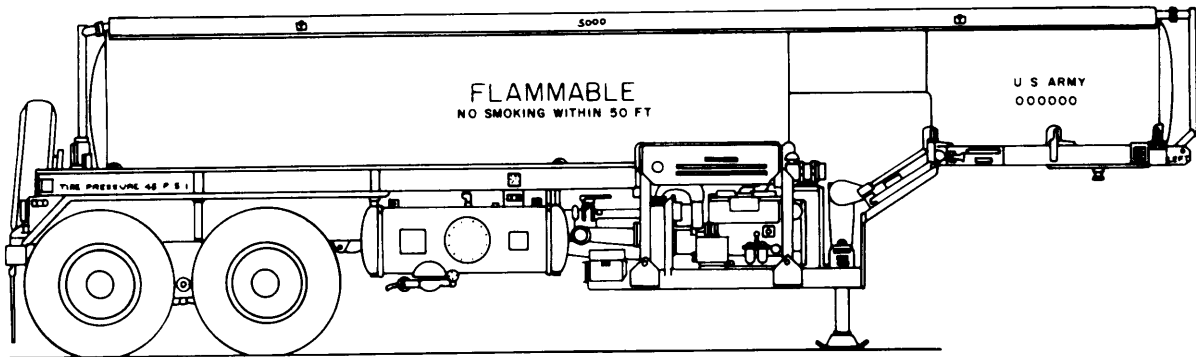
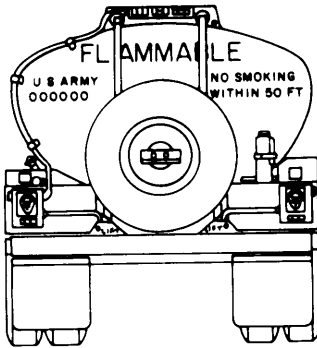
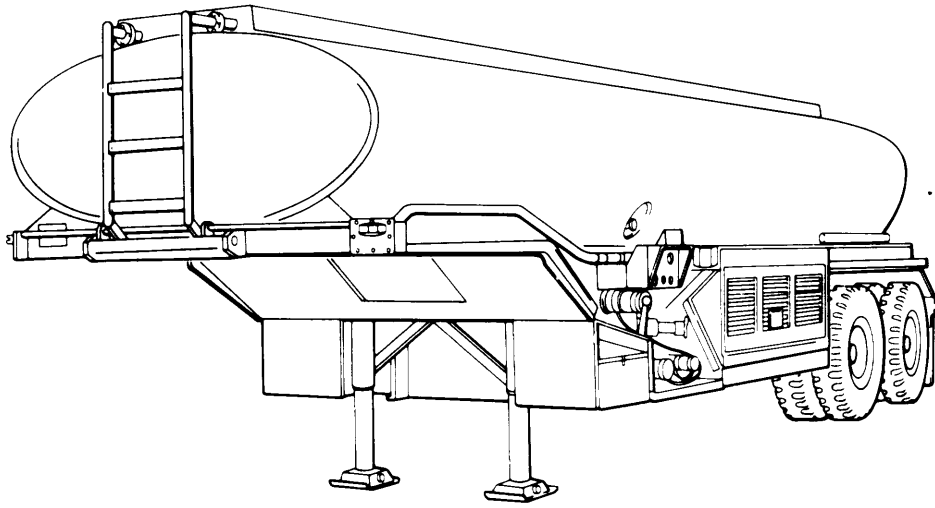
Weight: Empty - 15,000 lb

Weight: Loaded - 48,950 lb

Cube: 2,126.2 cu ft

Ground Clearance: 19 1/2 in

Kingpin Height: 56 in



OVERALL DIMENSIONS

HEIGHT -104 1/2
LENGTH -366
WIDTH -96
TO OUTSIDE OF TIRES -97 3/4

NOTE:
ALL DIMENSIONS ARE IN INCHES.

TA208738

PURPOSE: Aircraft refueling.

GENERAL INFORMATION

Nomenclature: SEMITRAILER, TANK:
12-Ton, Fuel Dispensing, 5,000 Gal,
Under/Over Wing Aircraft

Model Number: M970A1

NSN: 2330-01-155-0047

LIN: S10127

SSN: D023070

TM: 9-2330-356-12&P, 34&P

CHARACTERISTICS

Electrical System: 24 Volt

Tires: 11:00 x 20, 12-ply

Brakes: Air

Blackout Lights: Yes

PERFORMANCE DATA

Fording:

W/Kit:

WO/Kit: 24 in

Departure Angle: 60 Degrees

Capacities of Tank (Vehicle Capacity):

Crosscountry: 3,800 gal.

Hard surface road: 5,000 gal.

20% maximum side slope wo/leakage:
5,000 gal.

10% maximum longitudinal slope wo/
leakage: 5,000 gal.

PERFORMANCE DATA - Continued

Center of Gravity:

Empty (vertical): 54 in

Empty (horizontal from kingpin): 198 in

Loaded (vertical): 66.5 in

Loaded (horizontal from kingpin): 170 in

VEHICLE DATA

Type Classification & Date: Std A, 1984

Replaces: M131 Series

Life Expectancy: 30 Years

Payload: 33,950 lb

Gross Vehicle Weight: 49,150 lb

Air Transportability: Phase III

EQUIPMENT OPTIONS

Kits: Vapor Recovery, Recirculation System,
Two Refueling Systems - for Underwing
and Overwing Servicing

SHIPPING DATA

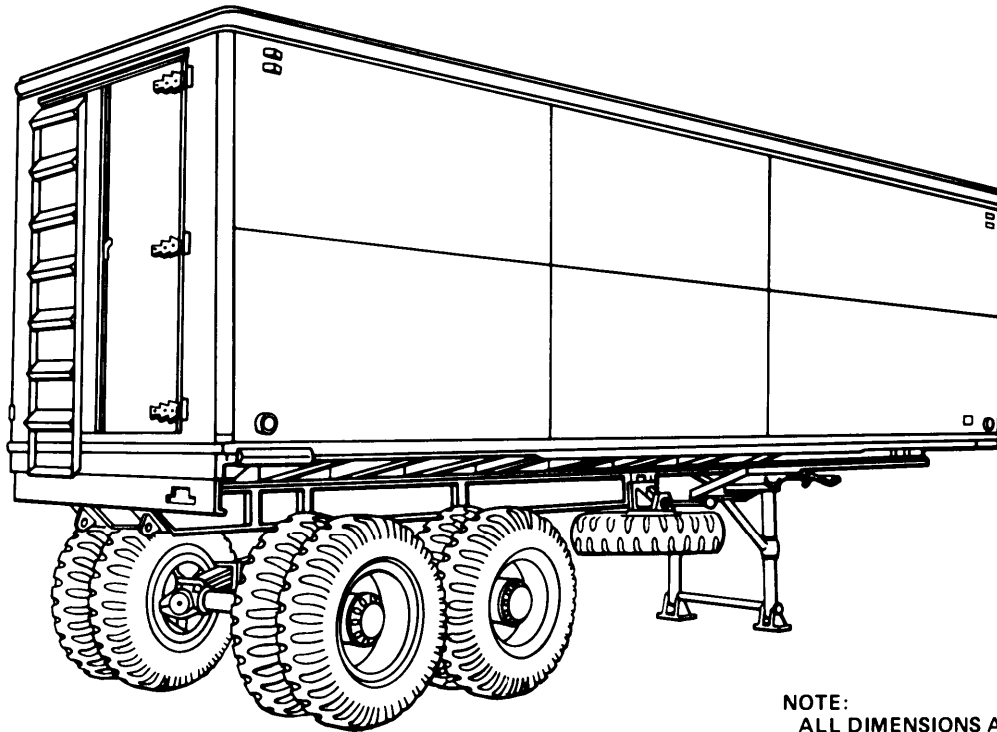
Weight: Empty - 15,200 lb

Weight: Loaded - 49,150 lb

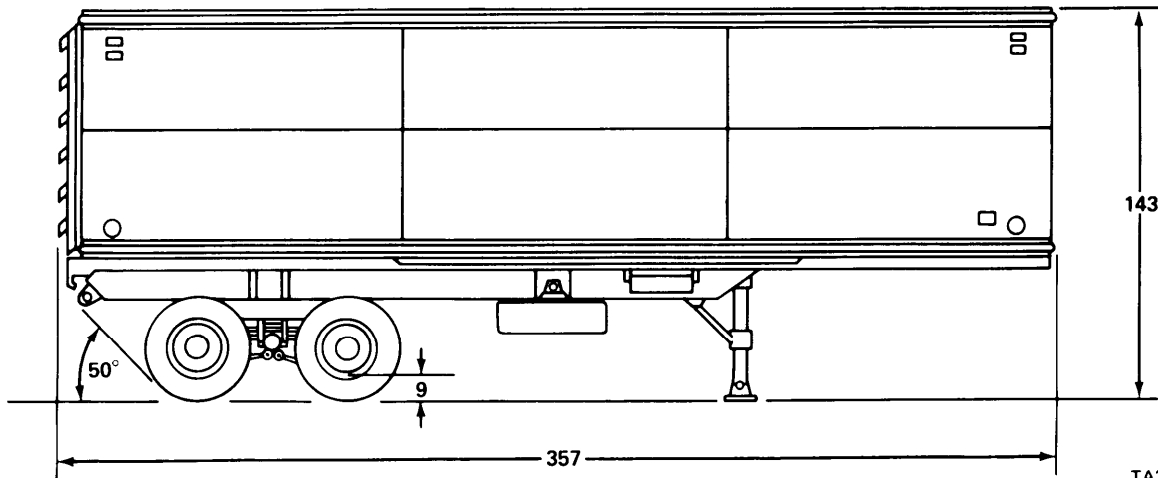
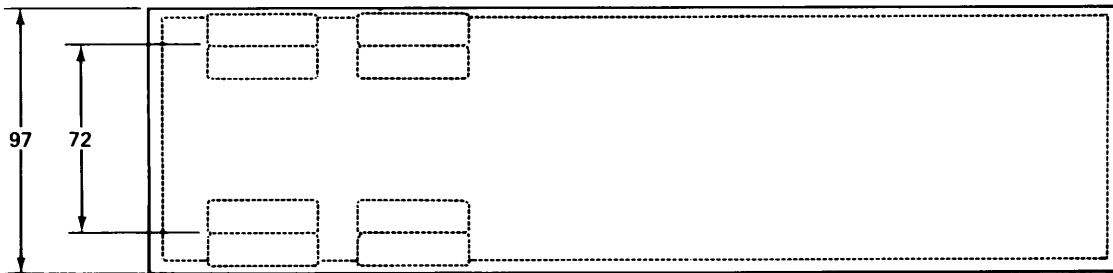
Cube: 2,126.2 cu ft

Ground Clearance: 19 1/2 in

Kingpin Height: 56 in



NOTE:
ALL DIMENSIONS ARE IN INCHES.



TA208740

PURPOSE: Provide a van type semitrailer in the 12 ton class for carrying military cargo and supplies.

GENERAL INFORMATION

Nomenclature: SEMITRAILER,
VAN: 12-Ton, Cargo, 4 Wheel

Model Number: M128A1C

NSN: 2330-00-752-9751

LIN: S74079

SSN: D048000

TM: 9-2330-207-14&24P

CHARACTERISTICS

Electrical System: 12 Volt, 24 Volt

Tires: 11:00 x 20, 12-ply

Brakes: Air over hydraulic

Blackout Lights: Yes

PERFORMANCE DATA

Fording:

W/Kit:

WO/Kit: 55 in

Departure Angle: 50 Degrees

VEHICLE DATA

Type Classification & Date: Std B, 1965

Replaced By: M128A2C

Life Expectancy: 30 Years

Payload: 24,000 lb

Gross Vehicle Weight: 39,220 lb

Air Transportability: Phase III

EQUIPMENT OPTIONS

Kits:

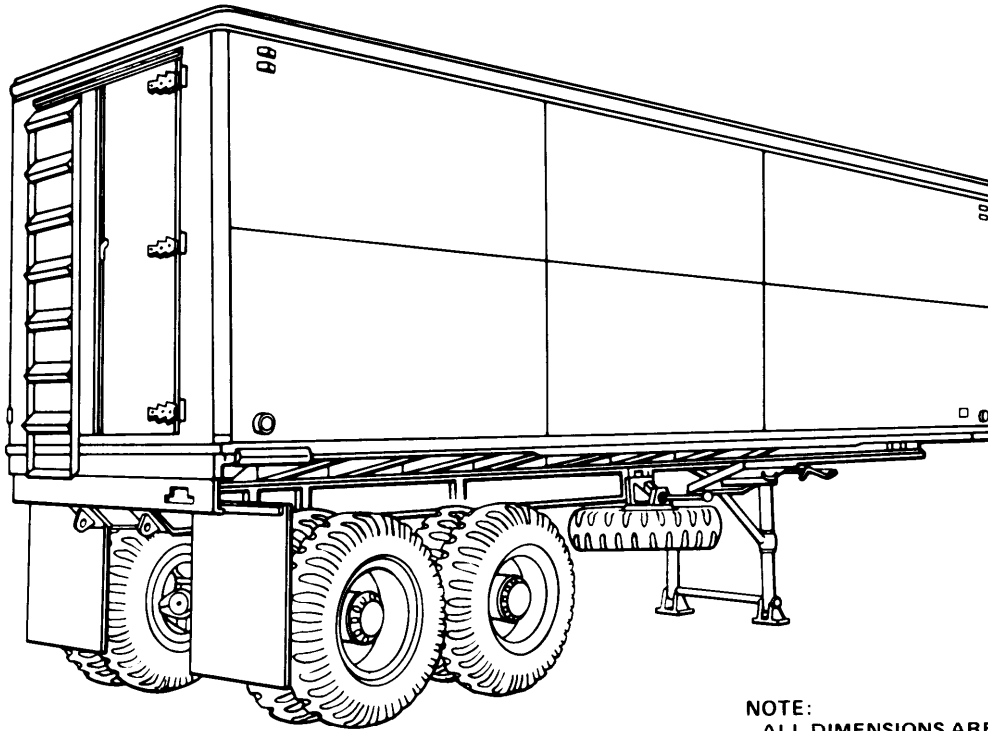
SHIPPING DATA

Weight: 15,600 lb

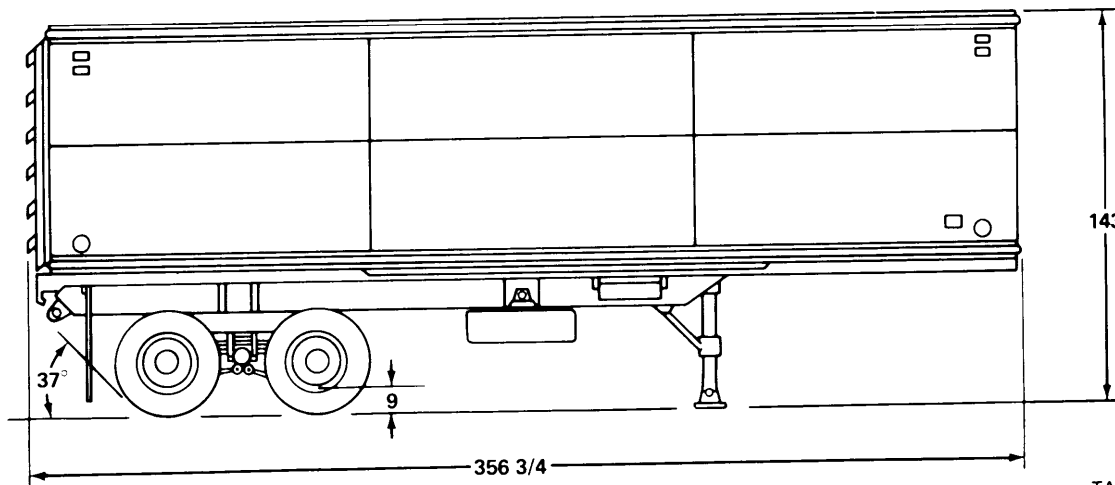
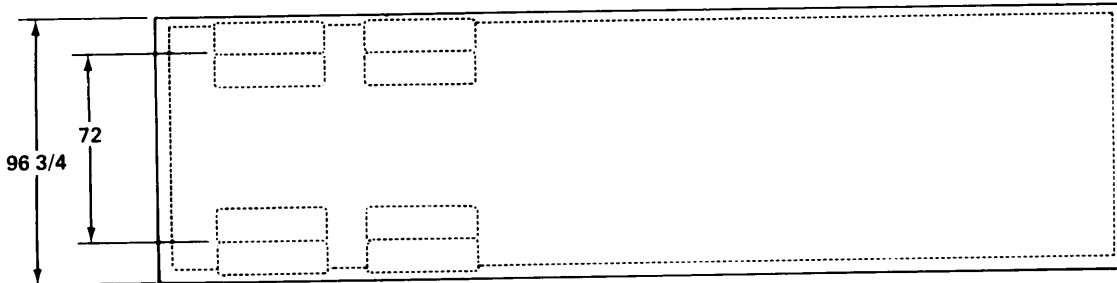
Cube: 2,894 cu ft

Ground Clearance: 9 in

Kingpin Height: 48 in



NOTE:
ALL DIMENSIONS ARE IN INCHES.



TA208741

PURPOSE: Provide a semitrailer in the 12 ton class for carrying military supplies. Prime mover, Truck Tractor, 5 ton, 6x6, M52.

GENERAL INFORMATION

Nomenclature: SEMITRAILER, VAN: 12-Ton,
Cargo, 4 Wheel

Model Number: M128A2C

NSN: 2330-00-788-6296

LIN: S74079

SSN: D048000

TM: 9-2330-207-14&24P

VEHICLE DATA

Type Classification & Date: Std A, 1965

Replaces: M128A1C

Life Expectancy: 30 Years

Payload: 24,000 lb

Gross Vehicle Weight: 39,220 lb

Air Transportability: Phase III

CHARACTERISTICS

Electrical System: 12 Volt, 24 Volt

Tires: 11:00 x 20, 12-ply

Brakes: Air over hydraulic

Blackout Lights: Yes

EQUIPMENT OPTIONS

Kits:

PERFORMANCE DATA

Fording:

W/Kit:

WO/Kit: 55 in

Departure Angle: 37 Degrees

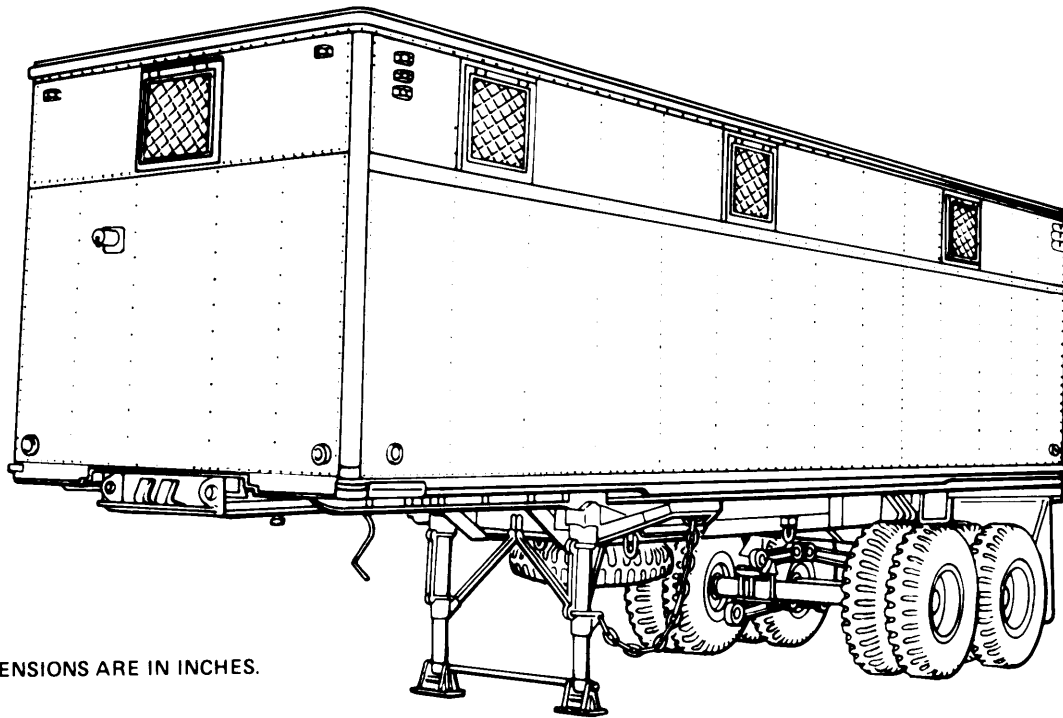
SHIPPING DATA

Weight: 15,600 lb

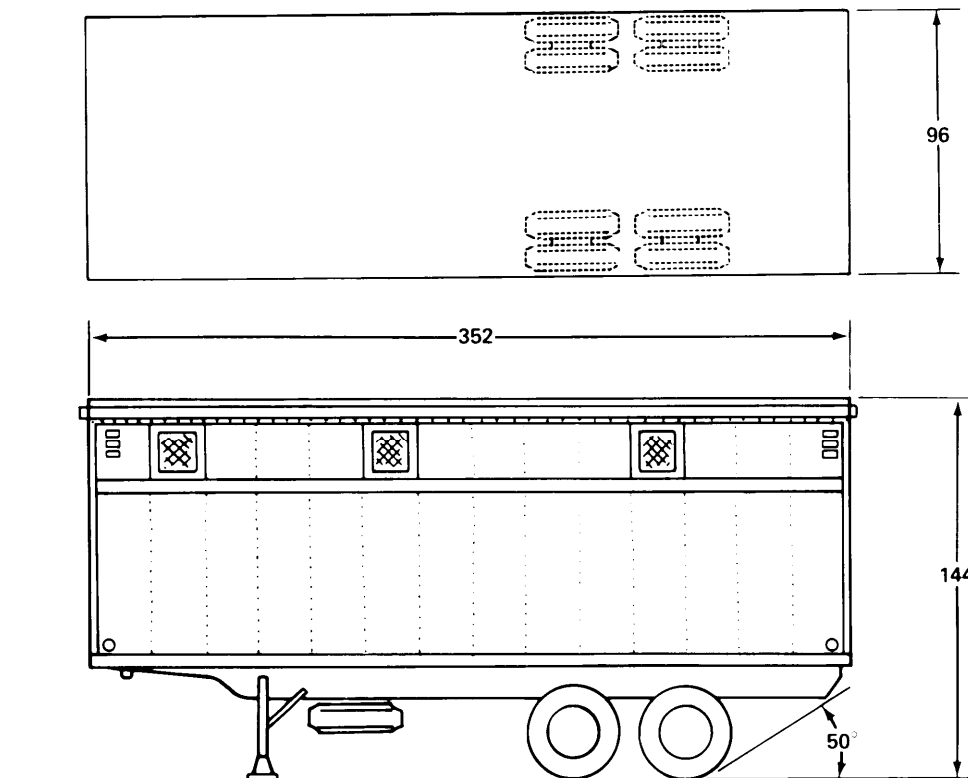
Cube: 2,924.4 cu ft

Ground Clearance: 9 in

Kingpin Height: 48 in



NOTE:
ALL DIMENSIONS ARE IN INCHES.



TA208593

PURPOSE: Transport military supplies. Towed by Truck Tractor, 5-Ton, 6x6, or similar vehicle equipped with fifth wheel.

GENERAL INFORMATION

Nomenclature: SEMITRAILER, VAN:
12-Ton, Supply, 4 Wheel

Model Number: M129A1

NSN: 2330-00-269-1673

LIN: S75175

SSN: D048000

TM: 9-2330-207-14&24P

CHARACTERISTICS

Electrical System:
DC: 12 Volt, 24 Volt

AC: 110 Volt

Tires: 11:00 x 20, 12 ply

Brakes: Air over hydraulic

Blackout Lights: Yes

PERFORMANCE DATA

Fording:

W/Kit:

WO/Kit: 55 in

Departure Angle: 50 Degrees

Approach Angle: 50 Degrees

VEHICLE DATA

Type Classification & Date: Std B, 1965

Replaces/Replaced By: M129A2C

Life Expectancy: 30 Years

Payload: Maximum: 36,000 lb
Off Road: 24,000 lb

Towed Load Allowance: 40,020 lb

Air Transportability: Phase III

EQUIPMENT OPTIONS

Kits:

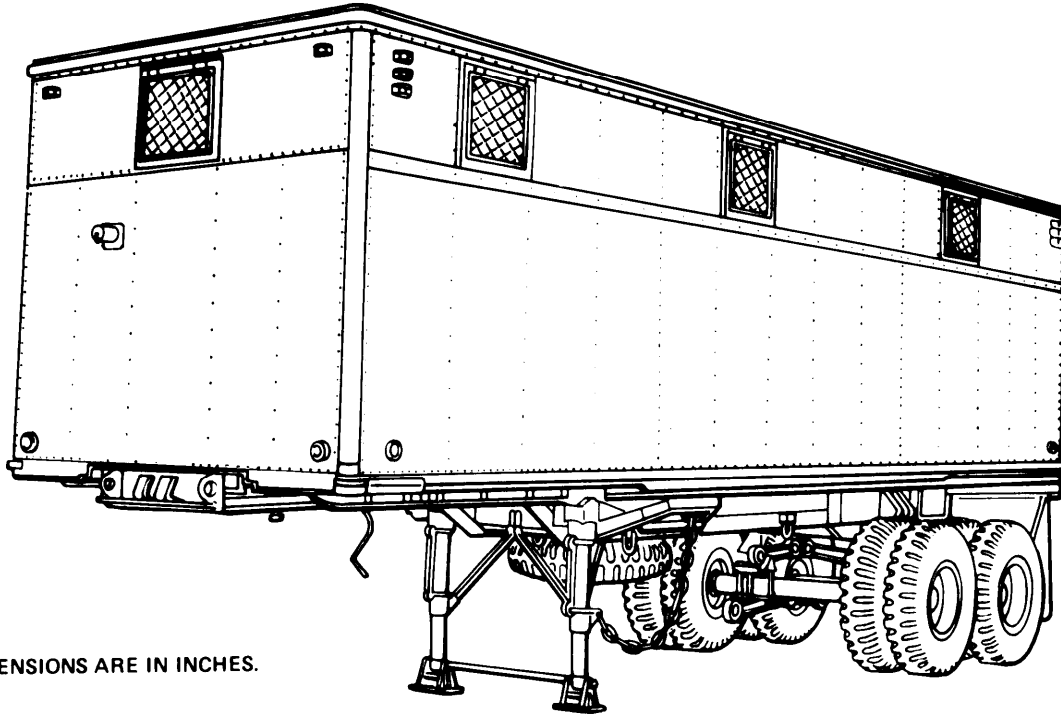
SHIPPING DATA

Weight: 16,020 lb

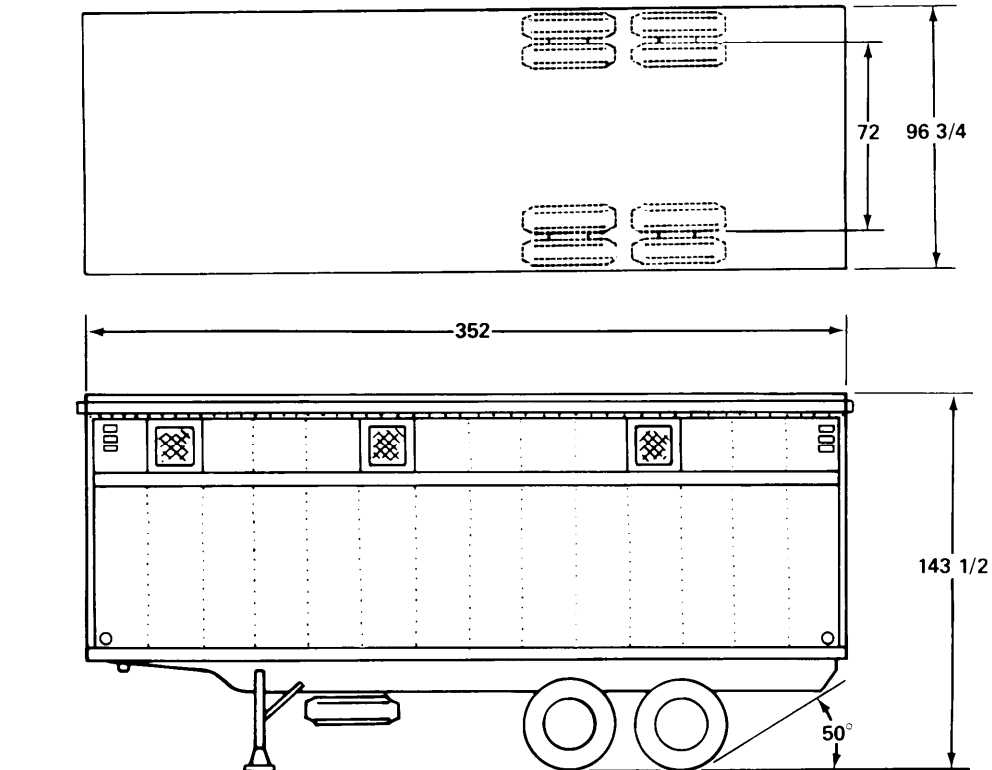
Cube: 2,688 cu ft

Ground Clearance: 10 1/2 in

King Pin Height:



NOTE:
ALL DIMENSIONS ARE IN INCHES.



TA208594

PURPOSE: Transport military supplies. Towed by Truck Tractor, 5 ton, 6x6 or similar vehicle equipped with fifth wheel.

GENERAL INFORMATION

Nomenclature: SEMITRAILER, VAN:
12-Ton, Supply, 4 Wheel

Model Number: M129A1C

NSN: 2330-00-752-9752

LIN: S75175

SSN: D048010

TM: 9-2330-207-14&24P

CHARACTERISTICS

Electrical System:
DC: 12 Volt, 24 Volt

AC: 110 Volt

Tires: 11:00 x 20, 12-ply

Brakes: Air over hydraulic

Blackout Lights: Yes

PERFORMANCE DATA

Fording:

W/Kit:

WO/Kit: 60 in

Departure Angle: 37 Degrees

VEHICLE DATA

Type Classification & Date: Std B, 1965

Replaces: M129A1

Life Expectancy: 30 Years

Payload: 24,000 lb

Gross Vehicle Weight: 39,600 lb

Air Transportability: Phase III

EQUIPMENT OPTIONS

Kits:

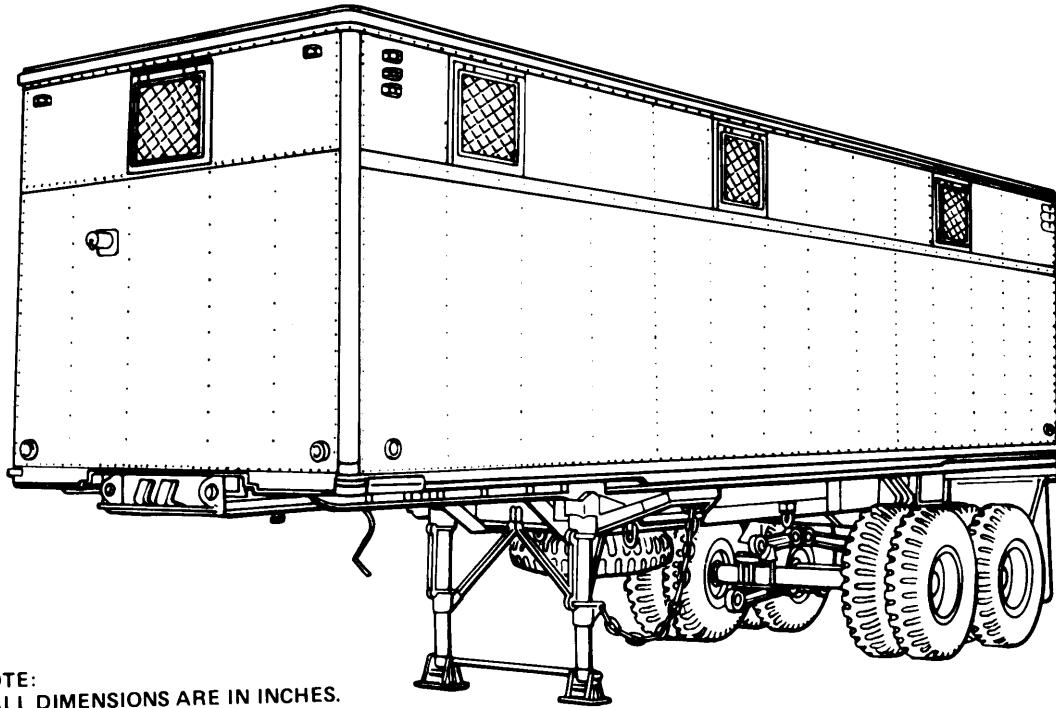
SHIPPING DATA

Weight: 15,400 lb

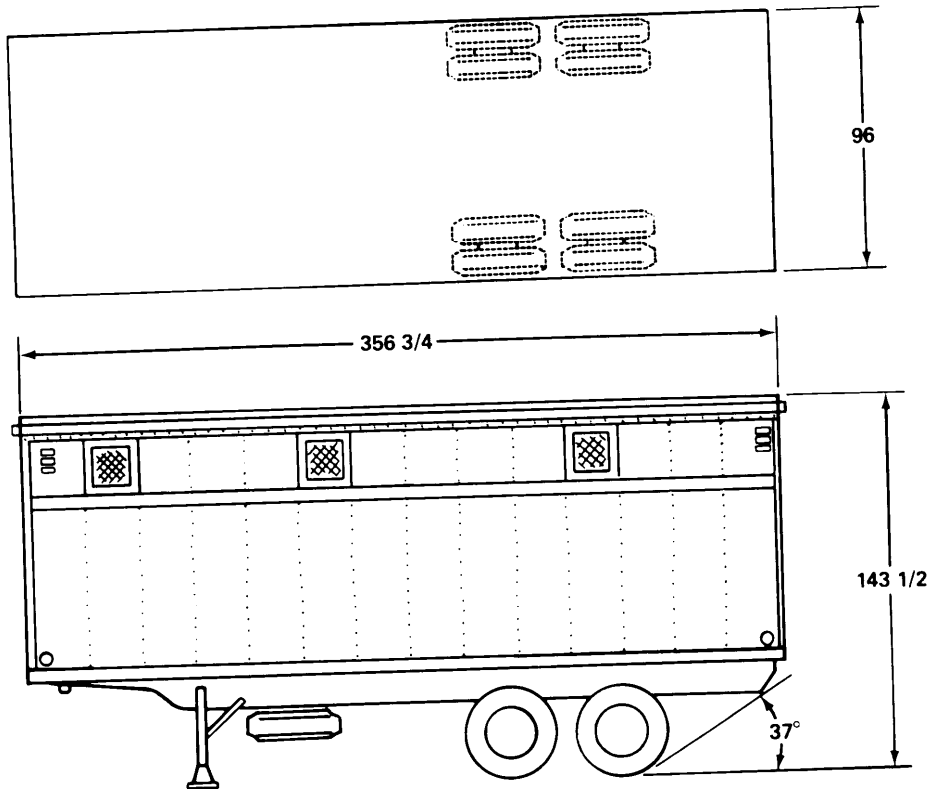
Cube: 2,870.5 cu ft

Ground Clearance: 9 in

Kingpin Height: 48 in



NOTE:
ALL DIMENSIONS ARE IN INCHES.



TA208595

PURPOSE: Transport military supplies. Towed by Truck Tractor, 5 ton, 6x6 or similar vehicle equipped with fifth wheel.

GENERAL INFORMATION

Nomenclature: SEMITRAILER, VAN:
12-Ton Supply, 4 Wheel

Model Number: M129A2C

NSN: 2330-00-788-6289

LIN: S75175

SSN: D048010

TM: 9-2330-207-14&24P

CHARACTERISTICS

Electrical System:
DC: 12 Volt, 24 Volt
AC: 110Volt

Tires: 11:00 x 20, 12 ply

Brakes: Air over hydraulic

Blackout Lights: Yes

PERFORMANCE DATA

Fording:

W/Kit:

WO/Kit: 55 in

Departure Angle: 37 Degrees

VEHICLE DATA

Type Classification & Date: Std A, 1965

Replaces: M129

Life Expectancy: 30 Years

Payload: 24,000 lb

Gross Vehicle Weight: 39,400 lb

Air Transportability: Phase III

EQUIPMENT OPTIONS

Kits:

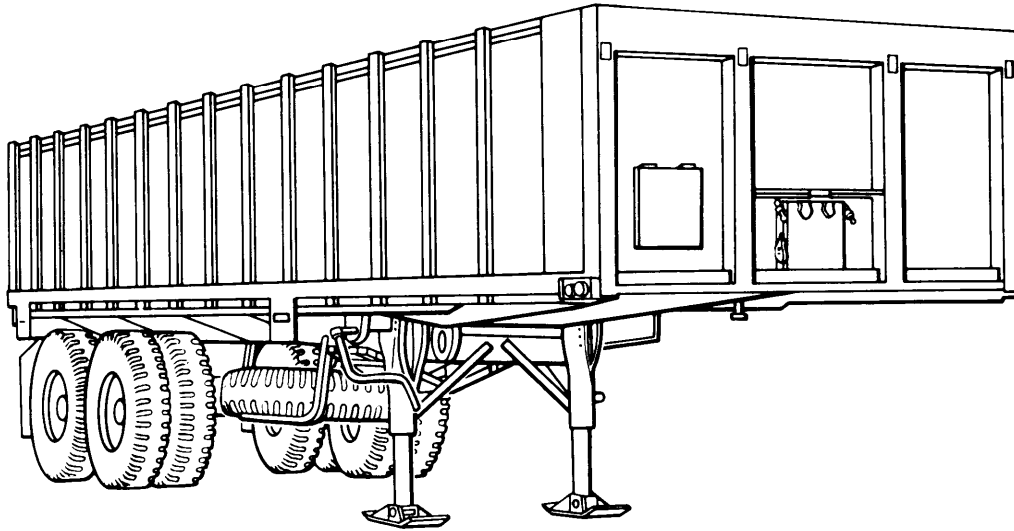
SHIPPING DATA

Weight: 15,400 lb

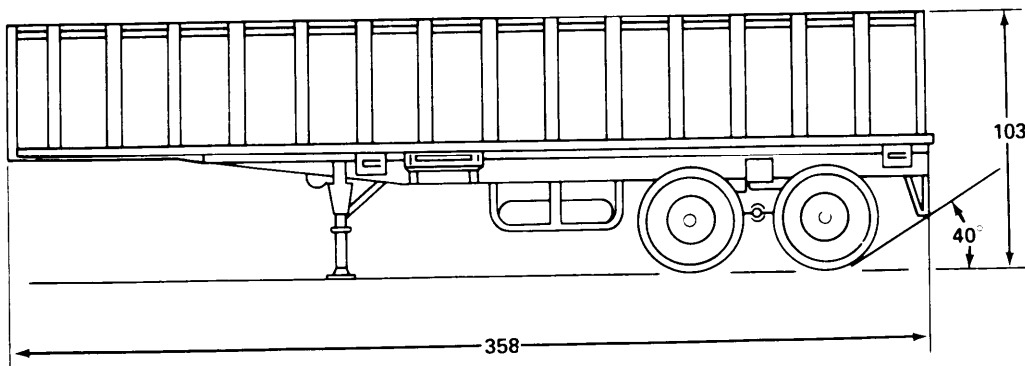
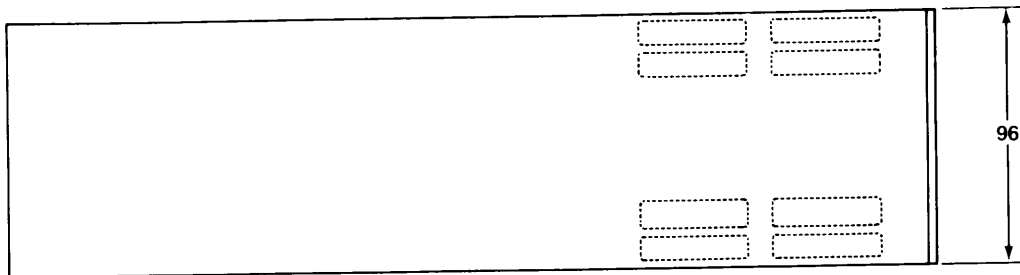
Cube: 2,870.5 cu ft

Ground Clearance: 9 in (Loaded)

Kingpin Height: 48 in



NOTE:
ALL DIMENSIONS ARE IN INCHES.



TA208735

PURPOSE: Transport containers in a tactical environment.

GENERAL INFORMATION

Nomenclature: SEMITRAILER, DUAL
PURPOSE: 22 1/2-Ton, Breakbulk Container,
Transporter

Model Number: M871

NSN: 2330-00-122-6779

LIN: S70027

SSN: D015000

TM: 9-2330-258-14&P

VEHICLE DATA

Type Classification & Date: Std A, 1979

Replaces: M127

Life Expectancy: 20 Years

Payload Maximum: 45,000 lb

Gross Vehicle Weight: 60,800 lb

Air Transportability: Phase III

CHARACTERISTICS

Electrical System: 12 Volt, 24 Volt

Tires: 11:00 x 20, 12-ply

Brakes: Air

Blackout Lights: Yes

EQUIPMENT OPTIONS

Kits:

PERFORMANCE DATA

Fording:

W/Kit:

WO/Kit: 48 in

Departure Angle: 40 Degrees

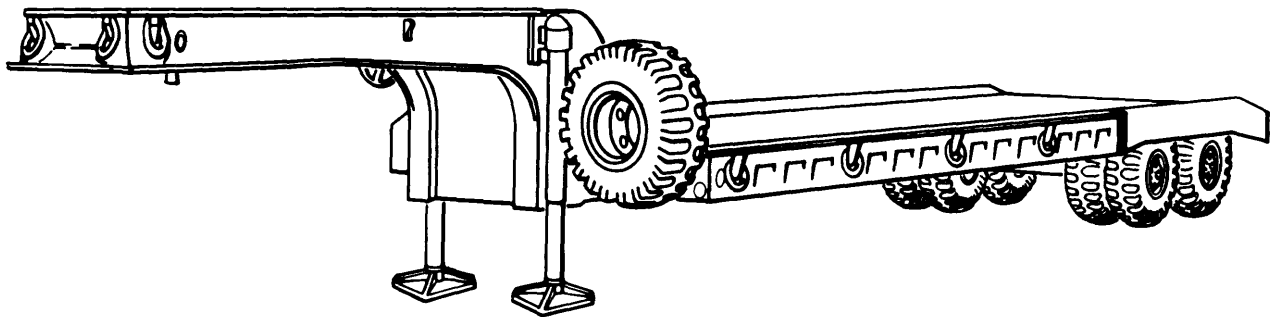
SHIPPING DATA

Weight: 16,000 lb

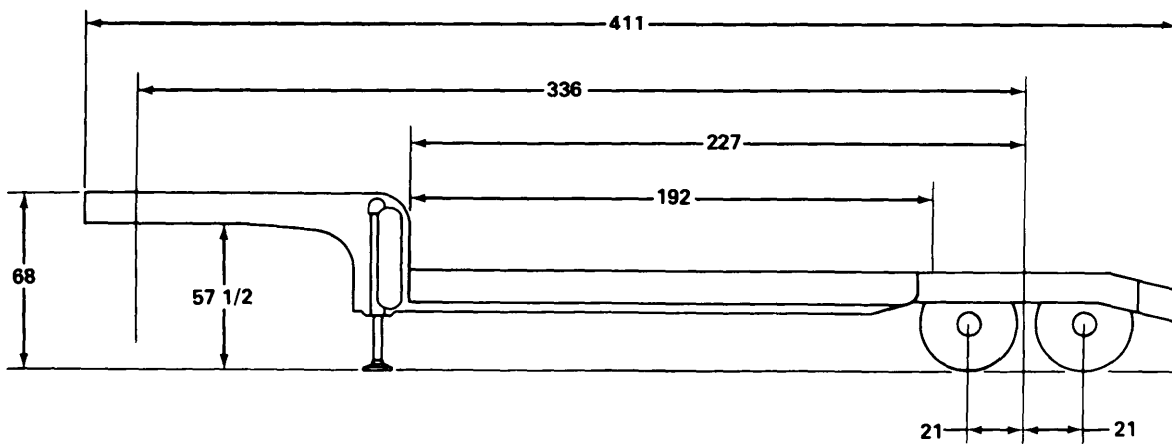
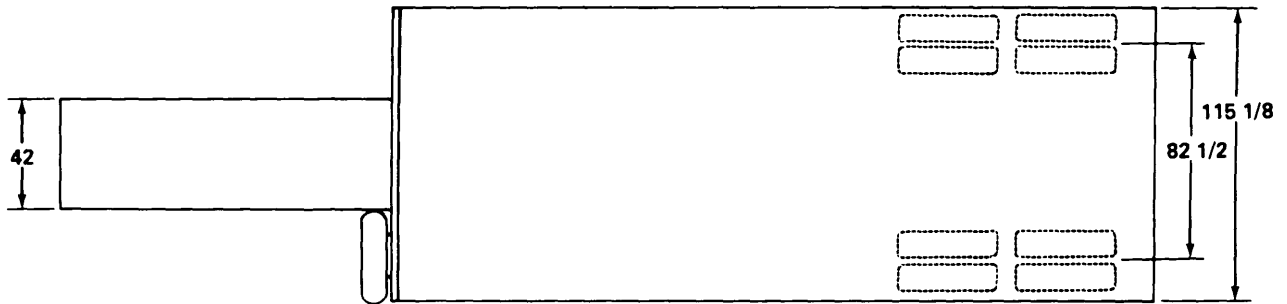
Cube: 2,040 cu ft

Ground Clearance: 18 in

Kingpin Height: 50 in



NOTE:
ALL DIMENSIONS ARE IN INCHES.



TA208613

PURPOSE: Transport CCE and MHE. Towed by Truck Tractor, 10 ton, 6x6 or similar vehicle equipped with fifth wheel.

GENERAL INFORMATION

Nomenclature: SEMITRAILER, LOW-BED: 25-Ton, 4 Wheel

Model Number: M172A1

NSN: 2330-00-317-6448

LIN: S70517

SSN: D00600

TM: 9-2330-211-14&P

VEHICLE DATA

Type Classification & Date: Std A, 1958

Replaces: M172

Life Expectancy: 30 Years

Payload: 50,000 lb, W/Truck Tractor, 10 Ton, 6x6
30,000 lb, W/Truck Tractor, 5 Ton, 6x6

Gross Vehicle Weight: 66,500 lb

Air Transportability: Phase III

CHARACTERISTICS

Electrical System: 24 Volt

Tires: 11:00 x 15, 16-ply

Brakes: Air

Blackout Lights: Yes

EQUIPMENT OPTIONS

Kits:

PERFORMANCE DATA

Fording: Submersible

W/Kit:

WO/Kit:

Departure Angle: 40 Degrees

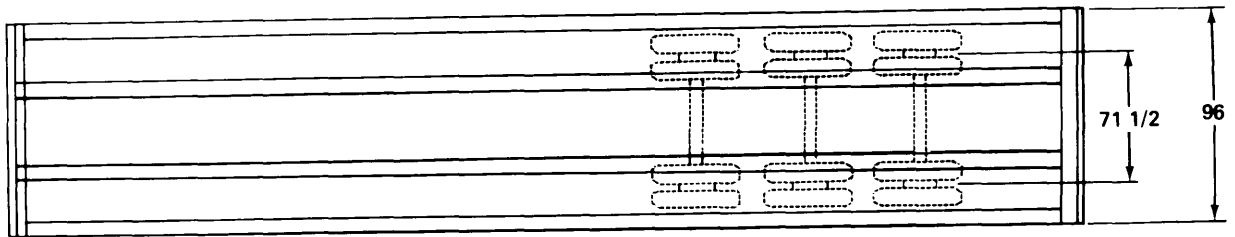
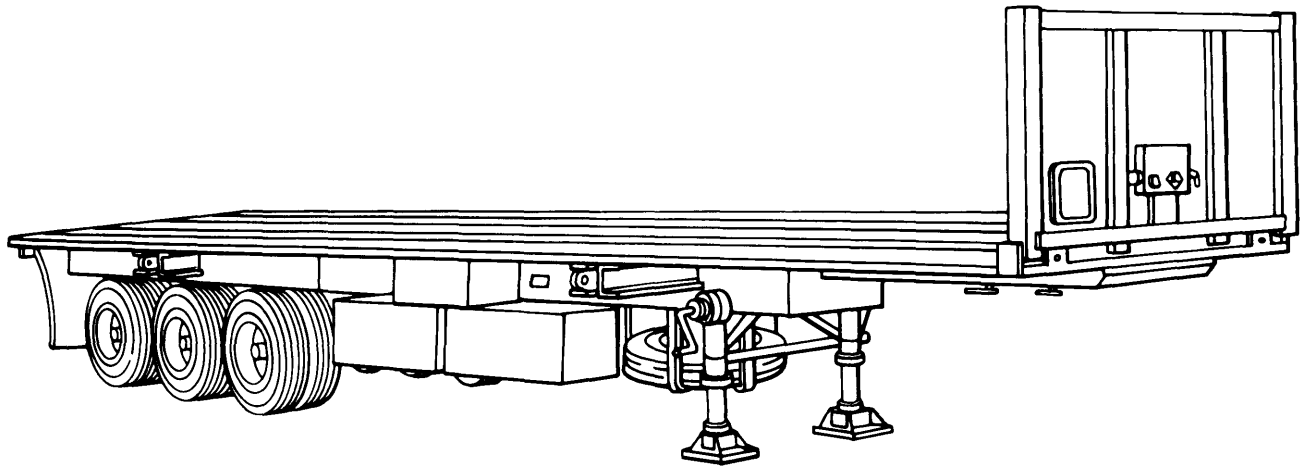
SHIPPING DATA

Weight: 16,600 lb

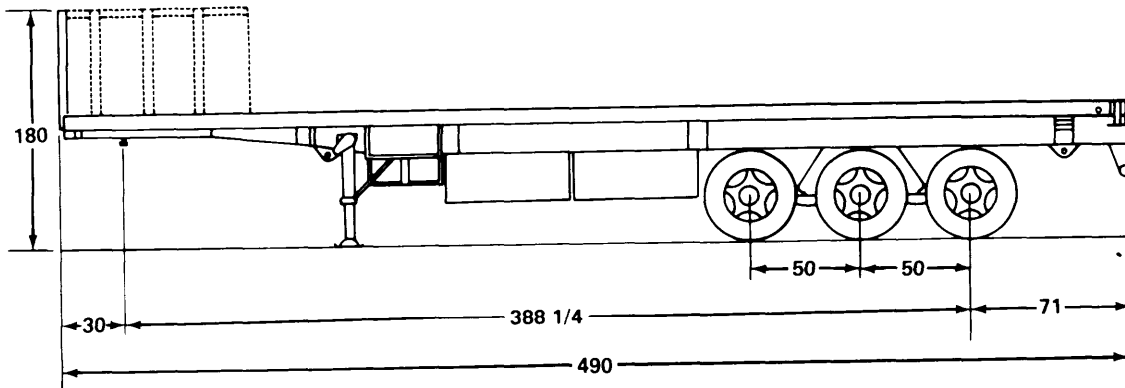
Cube: 1,870 cu ft

Ground Clearance: 14 1/2 in

Kingpin Height: 57 3/8 in



NOTE:
ALL DIMENSIONS ARE IN INCHES.



TA208629

PURPOSE: Transport breakbulk and container. Towed by a 6x4 tractor truck.

GENERAL INFORMATION

Nomenclature: SEMITRAILER, DUAL
PURPOSE: 34-Ton, Breakbulk Container,
Transporter, 40 Foot

Model Number: M872

NSN: 2330-01-039-8095

LIN: S70159

SSN: D016000

TM: 9-2330-359-14&P

CHARACTERISTICS

Electrical System: 12 Volt, 24 Volt

Tires: 10:00 x 20, 12-ply

Brakes: S Cam/Air

Blackout Lights: Yes

Kingpin Location:

From front of semitrailer - 30 in
To center of landing gear pad - 130 in

Landing Gear:

Type - Telescopic, manual, handcrank
gearbox

Capacity: 60,000 lb

PERFORMANCE DATA

Fording:

W/Kit:

WO/Kit:

Departure Angle:

VEHICLE DATA

Type Classification & Date: Std A, 1979

Replaces: M127 Series

Life Expectancy: 30 Years

Payload: 68,000 lb

Gross Vehicle Weight 84,000 lb

Air Transportability:

EQUIPMENT OPTIONS

Kits: Yard

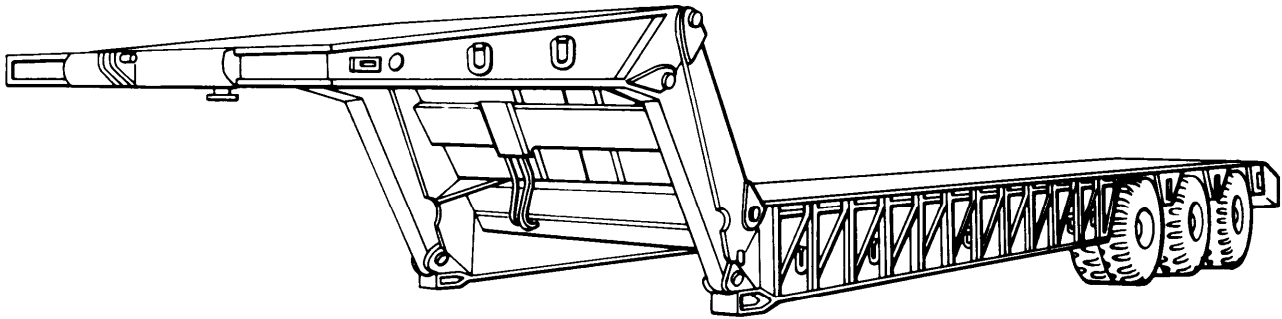
SHIPPING DATA

Weight: 16,800 lb

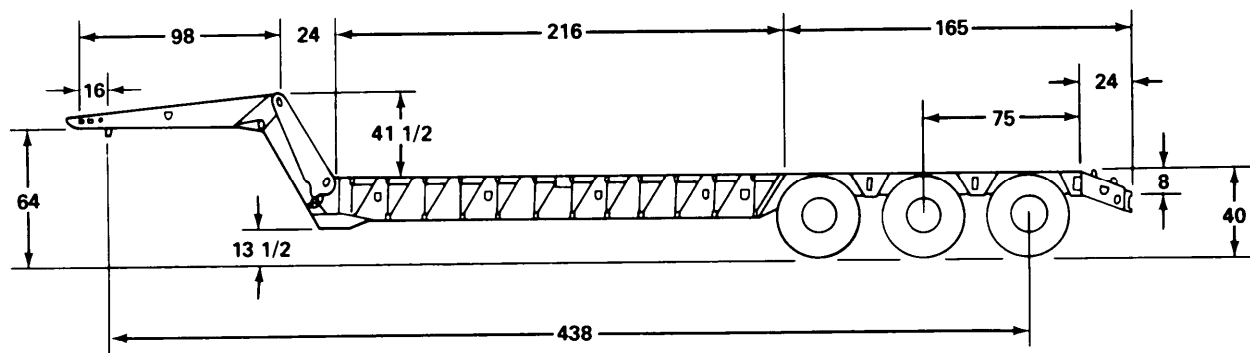
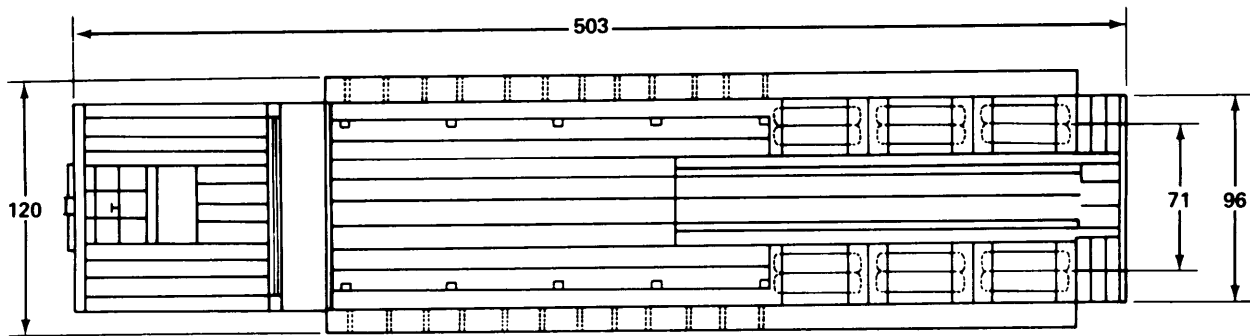
Cube: 2,487 cu ft

Ground Clearance: 11 1/2 in

Kingpin Height: 49 in



NOTE:
ALL DIMENSIONS ARE IN INCHES.



TA208732

PURPOSE: Transport practically all tracked and wheeled vehicles and general cargo up to 40 tons.

GENERAL INFORMATION

Nomenclature: SEMITRAILER, LOW-BED: 40-Ton, Construction Equipment Transporter, CCE

Model Number: M870

NSN: 2330-00-133-1731

LIN: S70594

SSN: D007000

TM: 9-2330-360-14&P

VEHICLE DATA

Type Classification & Date: Std A, 1976

Replaced By: N/A

Life Expectancy: 30 Years

Payload: 80,000 lb

Gross Vehicle Weight: 96,500 lb

Air Transportability:

CHARACTERISTICS

Electrical System: 12 Volt, 24 Volt Dual System

Tires: 10:00 x 15, 14-ply

Brakes: Air

Blackout Lights: Yes

EQUIPMENT OPTIONS

Kits:

PERFORMANCE DATA

Fording: Submersible

W/Kit:

WO/Kit:

Departure Angle:

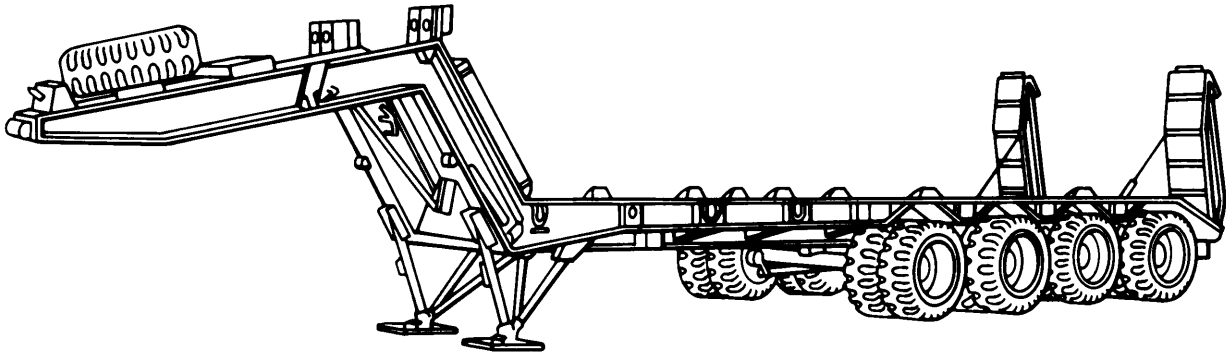
SHIPPING DATA

Weight: 16,500 lb

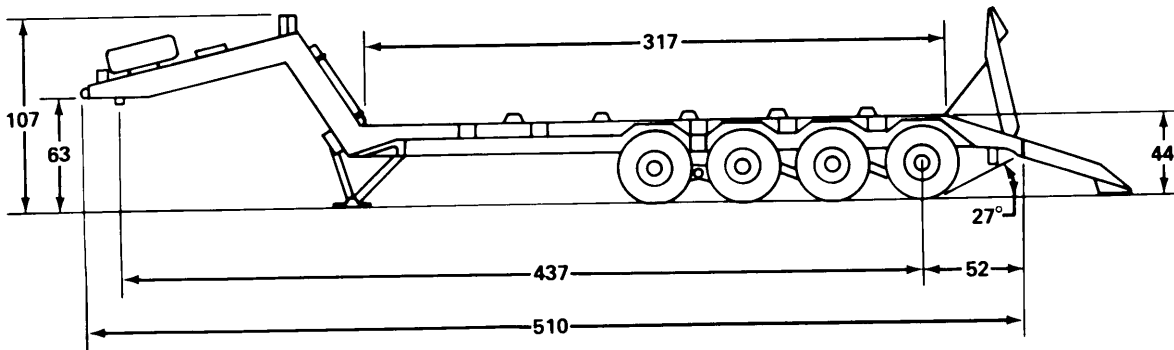
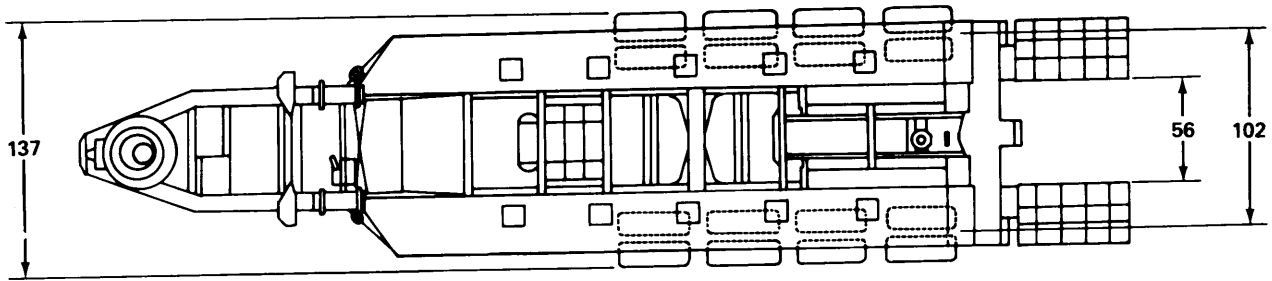
Cube: 1,680 cu ft

Ground Clearance: 13 1/2 in

Kingpin Height: 64 in



NOTE:
ALL DIMENSIONS ARE IN INCHES.



TA208696

PURPOSE: Transport heavy equipment, on/off highways and to evacuate disabled Main Battle Tanks or similar equipment.

GENERAL INFORMATION

Nomenclature: SEMITRAILER, LOW-BED: 60-Ton, Heavy Equipment: Transporter, 16 Wheel

Model Number: M747

NSN: 2330-00-089-7265

LIN: S70661

SSN: D024010

TM: 9-2330-294-14&24P

CHARACTERISTICS

Electrical System: 24 Volt

Tires: 15:00 x 19.5, bias ply, 14-ply

Brakes: Air

Blackout Lights: Yes

PERFORMANCE DATA

Fording: Submersible running gear

W/Kit: Dependent on towing vehicle

WO/Kit:

Departure Angle: 27 Degrees

VEHICLE DATA

Type Classification & Date: Std A, 1971

Replaces: M524 and M115A

Life Expectancy: 30 Years

Payload: 120,000 lb

Gross Vehicle Weight: 152,000 lb

Air Transportability:

EQUIPMENT OPTIONS

Kits:

SHIPPING DATA

Weight: 32,000 lb

Cube: 4623 cu ft

Ground Clearance: 9 in

Kingpin Height: 63 in

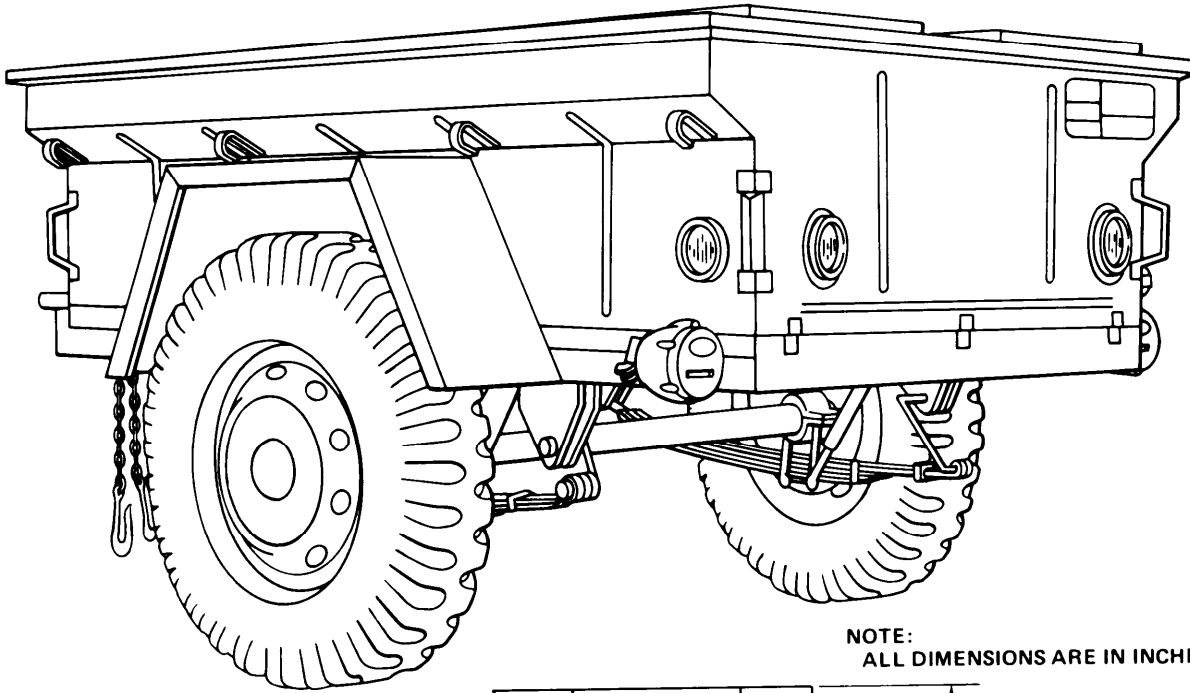
Chapter 7

TRAILERS (CLASS 2330)

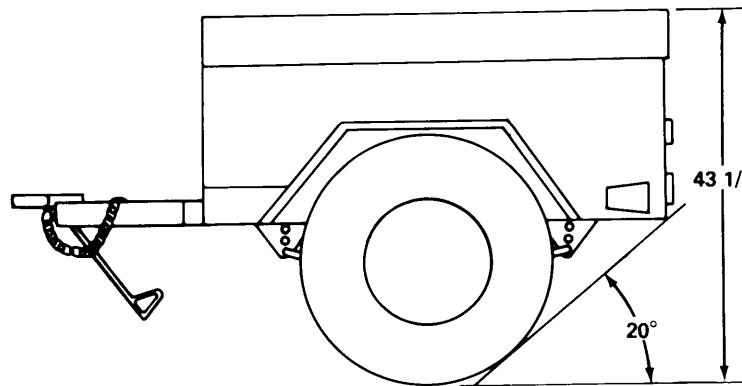
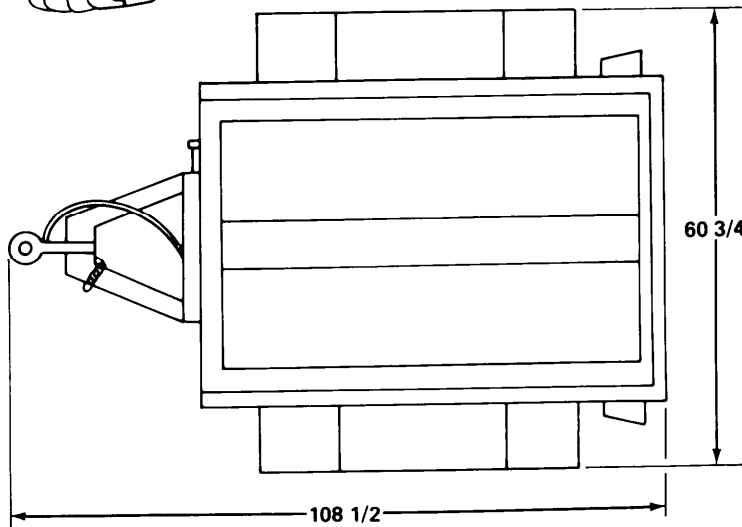
Type	Model	Page
1/4-TON		
TRAILER, CARGO: 2 Wheel	M416	7-5
TRAILER, CARGO: 2 Wheel	M416A1	7-7
TRAILER, CHASSIS: 2 Wheel	M569A1	7-9
TRAILER, MAINTENANCE: Telephone Cable Splicer, 2 Wheel	M367	7-11
1/2-TON		
TRAILER, MAINTENANCE: Telephone Cable Splicer, 2 Wheel	M716	7-13
3/4-TON		
TRAILER, CARGO: 2 Wheel, W/E	M101	7-15
TRAILER, CARGO: 2 Wheel, W/E	M101A1	7-17
1-1/2-TON		
TRAILER, AMMUNITION/GENERAL CARGO: 2 Wheel	M332	7-19
TRAILER, CARGO: 2 Wheel	M105	7-21
TRAILER, CARGO: 2 Wheel	M105A1	7-23
TRAILER, CARGO: 2 Wheel	M105A2	7-25
TRAILER, CHASSIS: 2 Wheel, W/E	M103A3	7-27
TRAILER, TANK: Water, 2 Wheel, 400 Gal	MI07A1	7-29
TRAILER, TANK: Water, 2 Wheel, 400 Gal	M107A2	7-31
TRAILER, TANK: Water, 2 Wheel, 400 Gal, W/E	M149	7-33
TRAILER, TANK: Water, 2 Wheel, 400 Gal	M149A1	7-35
TRAILER, TANK: Water, 2 Wheel, 400 Gal	M149A2	7-37
2-1/2-TON		
TRAILER, CHASSIS: 2 Wheel, Generator	M200A1	7-39
3-1/2-TON		
TRAILER, CABLE REEL: 2 Wheel	M310	7-41
TRAILER, CHASSIS: 2 Wheel	M353	7-43
4-TON		
TRAILER, BOLSTER: 4 Wheel, General Purpose	M796	7-45
TRAILER, BOLSTER: 4 Wheel, General Purpose	M796A1	7-47

TRAILERS (CLASS 2330) - Continued

Type		Model	Page
	10-TON		
TRAILER, FLATBED: 4 Wheel		M345	7-49
	15-TON		
TRAILER, FLATBED:		HP15T	7-51/ (7-52 blank)



NOTE:
ALL DIMENSIONS ARE IN INCHES.



TA208605

PURPOSE: Transport general cargo.

GENERAL INFORMATION

Nomenclature: TRAILER, CARGO:
1/4-Ton, 2 Wheel

Model Number: M416

NSN: 2330-00-706-5495

LIN: W95400

SSN: D058000

TM: 9-2330-251-14

CHARACTERISTICS

Electrical System: 24 Volt

Tires: 2, 7:00 x 16, 6-ply

Brakes: Mechanical, Parking Brake Only

Blackout Lights: Yes

PERFORMANCE DATA

Fording: Submersible for 15 minutes

W/Kit:

WO/Kit:

Departure Angle: 20 Degrees

VEHICLE DATA

Type Classification & Date: Std A, 1977

Replaces: M100

Life Expectancy: 30 Years

Payload: 500 lb

Gross Vehicle Weight: 1,170 lb

Air Transportability: Phase II

EQUIPMENT OPTIONS

Kits: Tarpaulin

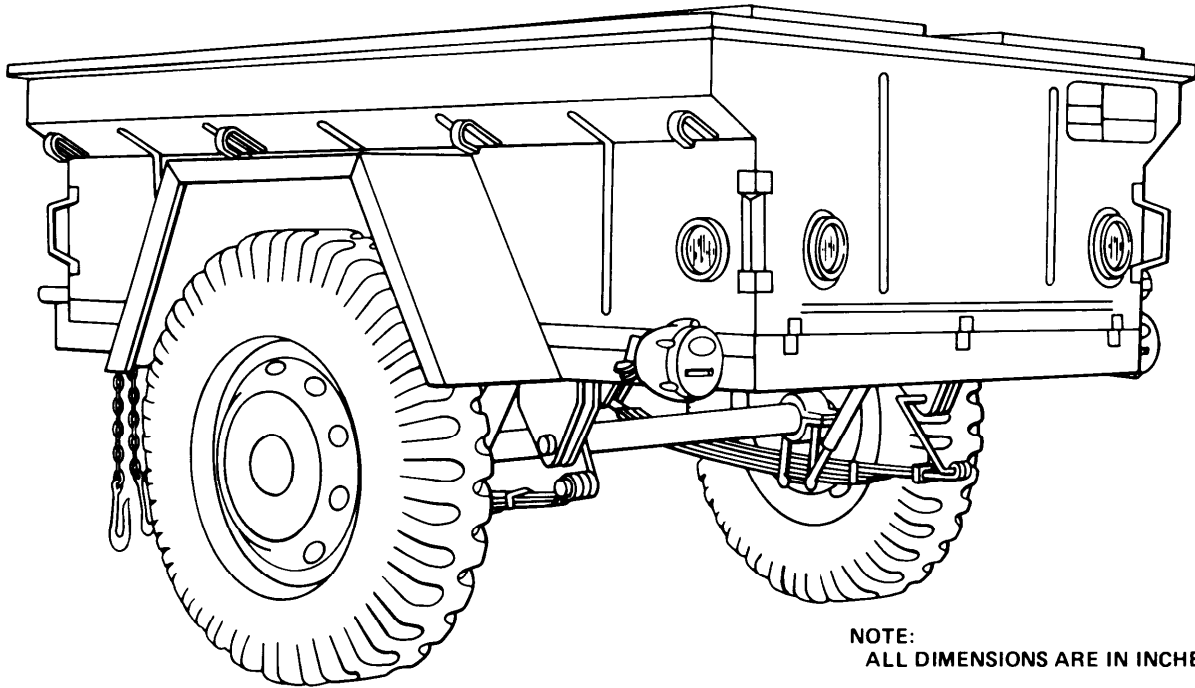
SHIPPING DATA

Weight: 670 lb

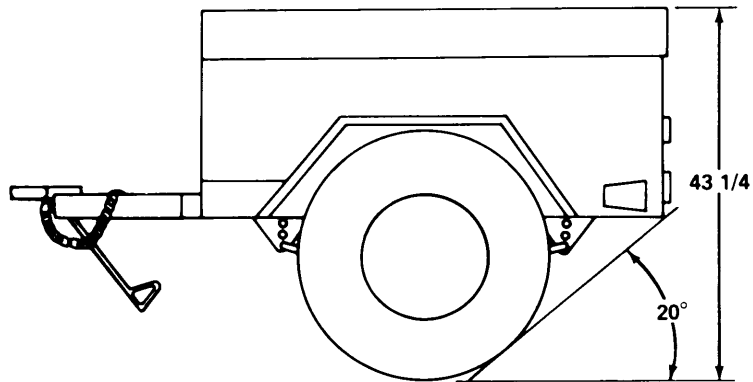
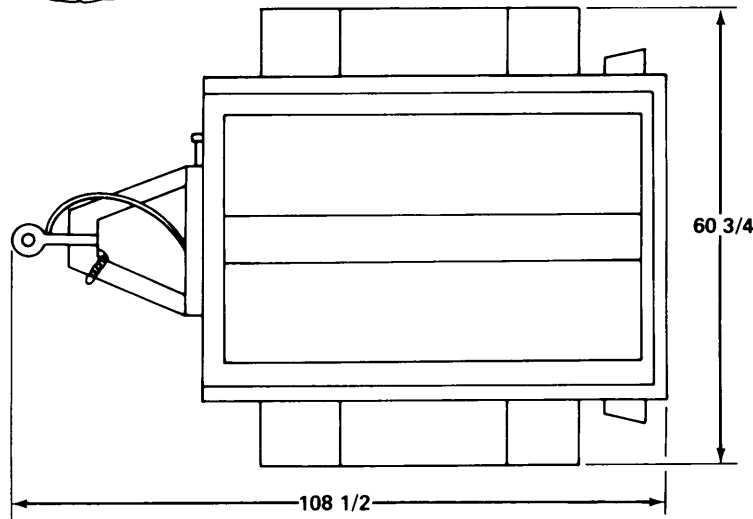
Cube: 159 cu ft

Ground Clearance:

Lunette Height:



NOTE:
ALL DIMENSIONS ARE IN INCHES.



TA208606

PURPOSE: Transport general cargo.

GENERAL INFORMATION

Nomenclature: TRAILER, CARGO:
1/4-Ton, 2 Wheel

Model Number: M416A1

NSN: 2330-01-046-2855

LIN: W95400

SSN: D058000

TM: 9-2330-251-14

CHARACTERISTICS

Electrical System: 24 Volt

Tires: 2, 7:00 x 16, 6-ply

Brakes: Parking and Inertia

Blackout Lights: Yes

PERFORMANCE DATA

Fording: Submersible for 15 minutes

W/Kit:

WO/Kit:

Approach Angle:

Departure Angle: 20 Degrees

VEHICLE DATA

Type Classification & Date: Std A, 1978

Replaces: M100, M416

Life Expectancy: 15 Years

Payload: Maximum: 750 lb
Off Road: 500 lb

Gross Vehicle Weight: 1,170 lb

Air Transportability: Phase II

EQUIPMENT OPTIONS

Kits: Tarpaulin

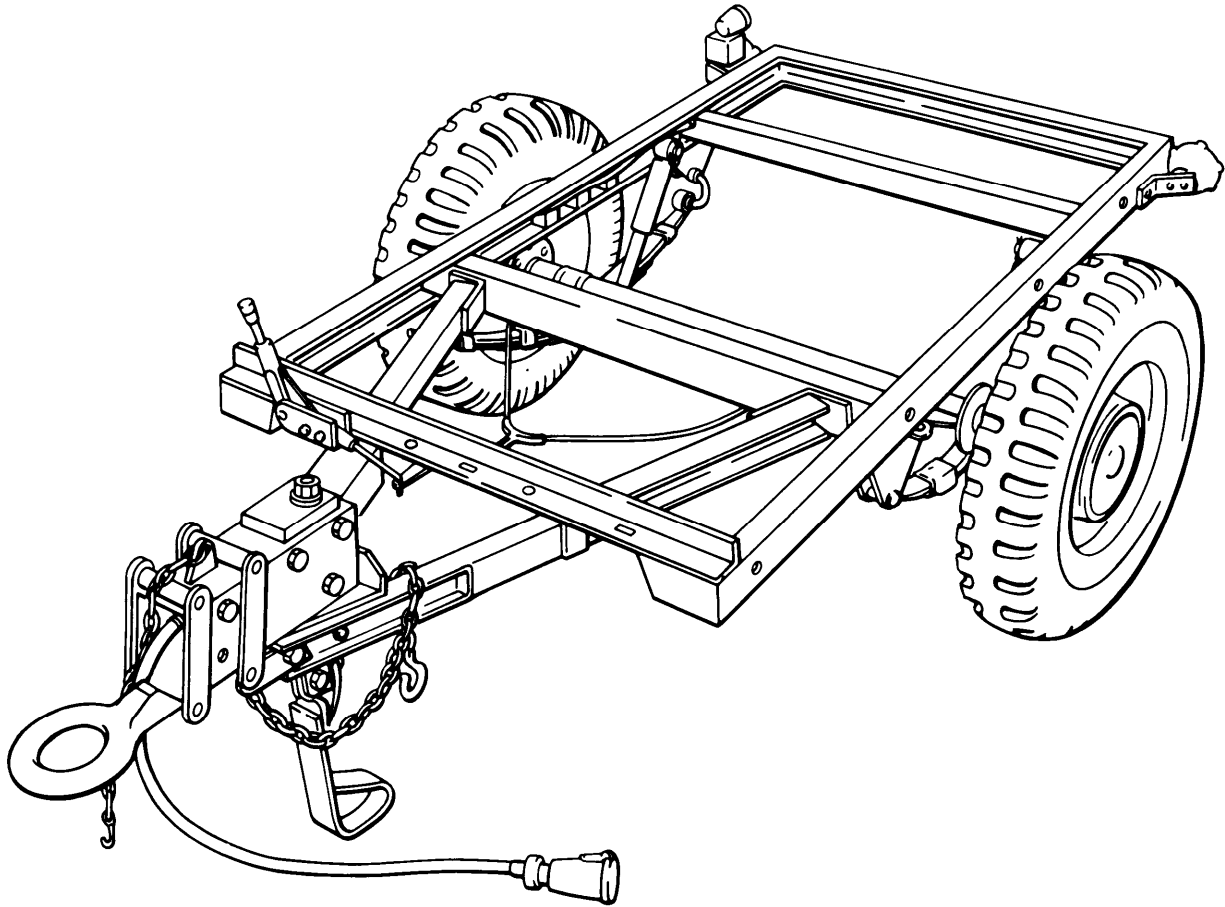
SHIPPING DATA

Weight: 670 lb

Cube: 159 cu ft

Ground Clearance:

Lunette Height:



TA208628

PURPOSE: Used to mount a cargo body, cable splicer body, or transport portable equipment such as generators or fieldstones.

GENERAL INFORMATION

Nomenclature: TRAILER, CHASSIS:
1/4-Ton, 2 Wheel

Model Number: M569A1

NSN: 2330-01-044-1971

LIN:

SSN: D058020

TM: 9-2330-251-14

CHARACTERISTICS

Electrical System: 24 Volt

Tires: 2, 7:00 x 16, 6-ply

Brakes: Parking and Inertia

Blackout Lights: Yes

PERFORMANCE DATA

Fording: Submersible

W/Kit:

WO/Kit:

Approach Angle: 20 Degrees

Departure Angle:

VEHICLE DATA

Type Classification & Date: Std A, 1977

Replaces/Replaced By: M100

Life Expectancy: 30 Years

Payload: 640 lb

Gross Vehicle Weight: 1,170 lb

Air Transportability: Phase II

EQUIPMENT OPTIONS

Kits: Tarpaulin

SHIPPING DATA

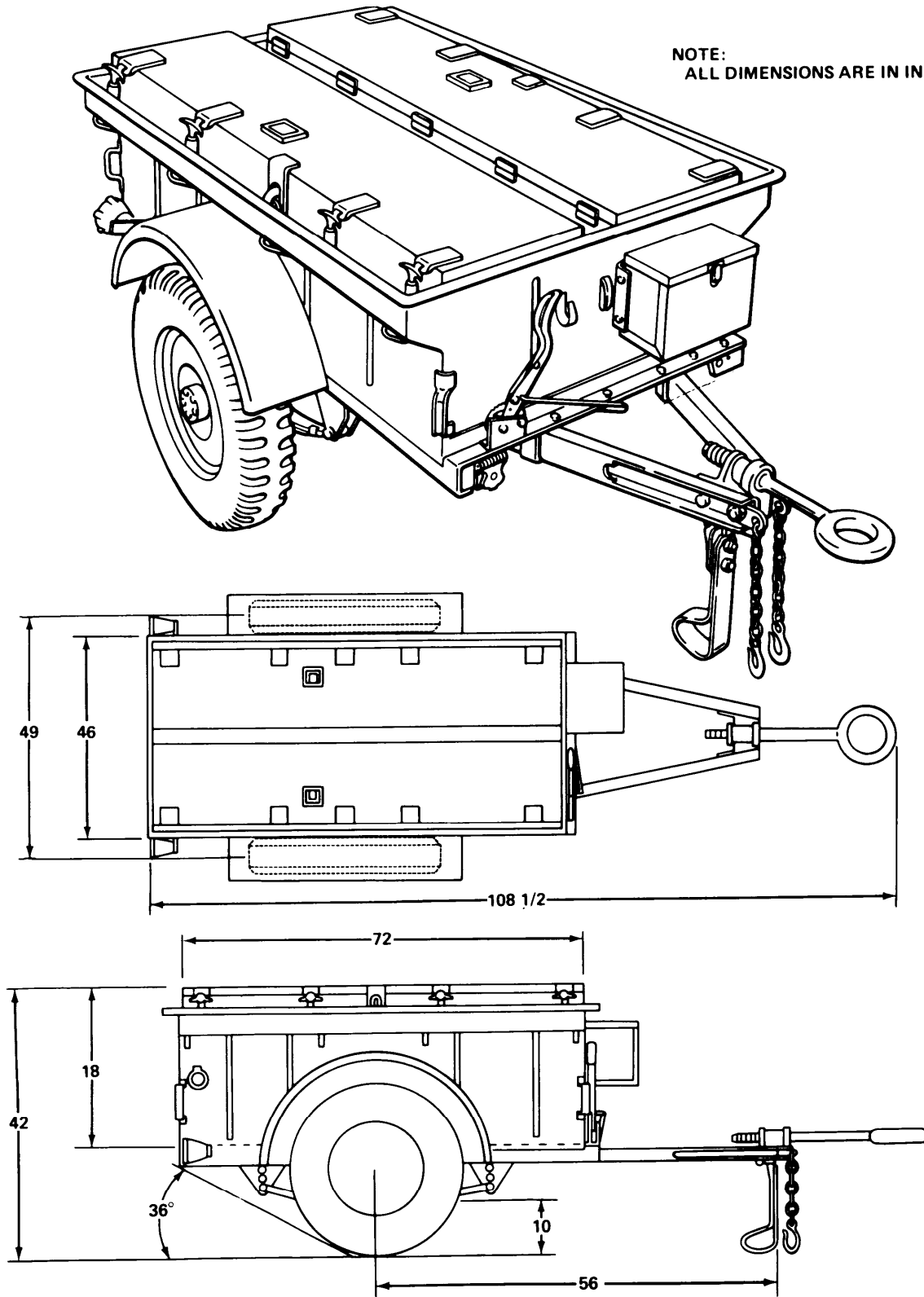
Weight: 530 lb

Cube:

Ground Clearance:

Lunette Height:

NOTE:
ALL DIMENSIONS ARE IN INCHES.



TA208568

PURPOSE: General purpose carrier used as a telephone cable splicer.

GENERAL INFORMATION

Nomenclature: TRAILER, MAINTENANCE:
1/4-Ton, Telephone Cable Splicer,
2 Wheel

Model Number: M367

NSN: 2330-00-215-4211

LIN: W97729

SSN: D074010

TM: 9-2330-201-14

VEHICLE DATA

Type Classification & Date: Std B, 1970

Replaced By: M716

Life Expectancy: 30 Years

Payload: 500 lb

Gross Vehicle Weight: 1,355 lb

Air Transportability: Phase II

CHARACTERISTICS

Electrical System: 24 Volt

Tires: 7:00 x 16, 6-ply NDCC

Brakes: Mechanical, parking brake only

Blackout Lights: Yes

EQUIPMENT OPTIONS

Kits:

PERFORMANCE DATA

Fording:

W/Kit: 24 in

WO/Kit:

Approach Angle:

Departure Angle: 36 Degrees

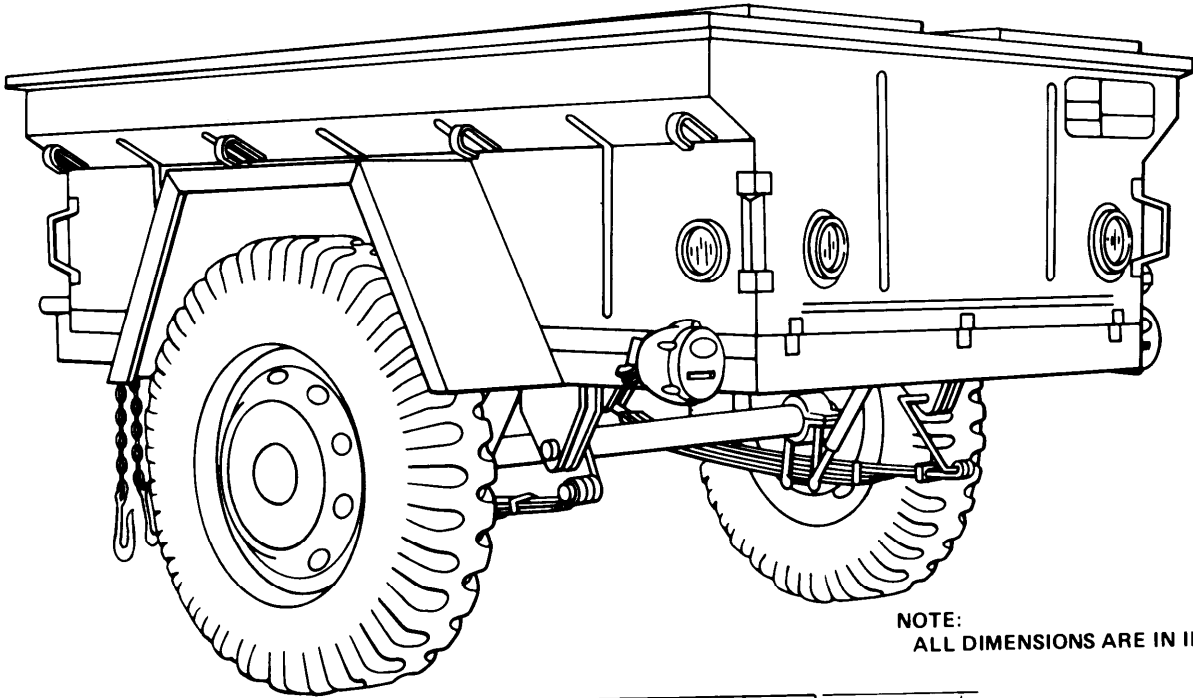
SHIPPING DATA

Weight: 855 lb

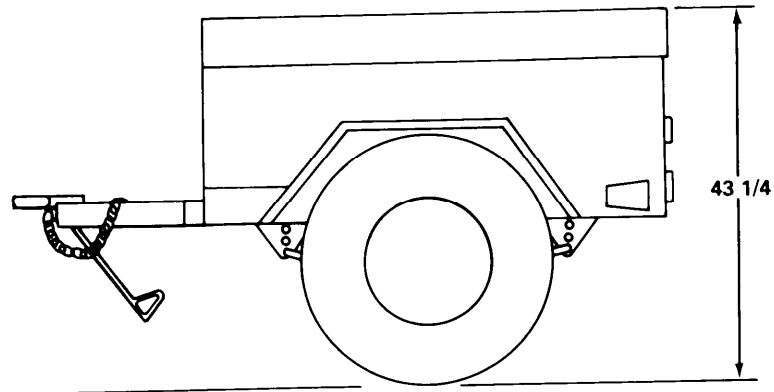
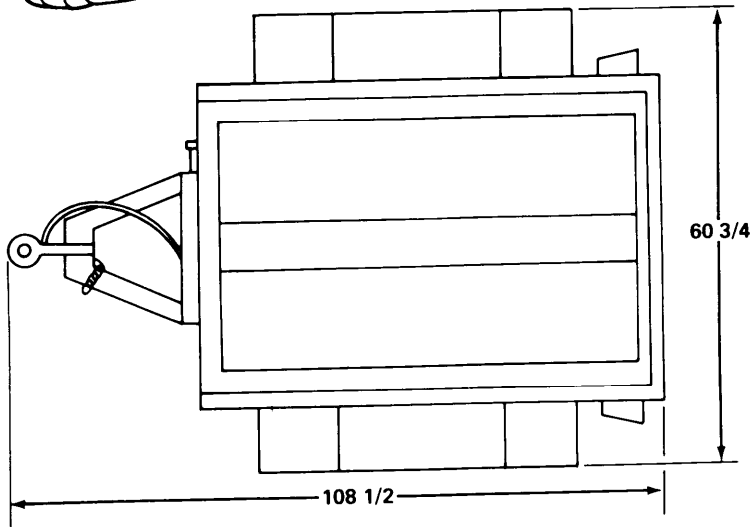
Cube: 129.22 cu ft

Ground Clearance: 10 in

Lunette Height:



NOTE:
ALL DIMENSIONS ARE IN INCHES.



TA208576

PURPOSE: Two wheel carrier used as a telephone cable splicer. Used to install and repair electrical transmission lines.

GENERAL INFORMATION

Nomenclature: TRAILER, MAINTENANCE:
1/4-Ton, Telephone Cable Splicer,
2 Wheel

Model Number: M716

NSN: 2330-00-782-6062

LIN: W97729

SSN: D074010

TM: 9-2330-251-14

VEHICLE DATA

Type Classification & Date: Std A, 1970

Replaces: M367

Life Expectancy: 30 Years

Payload: 500 lb

Gross Vehicle Weight: 1,170 lb

Air Transportability: Phase II

CHARACTERISTICS

Electrical System: 24 Volt

Tires: 2, 7:00 x 16, 6-ply

Brakes: Mechanical

Blackout Lights: Yes

EQUIPMENT OPTIONS

Kits:

PERFORMANCE DATA

Fording: Submersible for 15 minutes

W/Kit:

WO/Kit:

Approach Angle: 20 Degrees

Departure Angle:

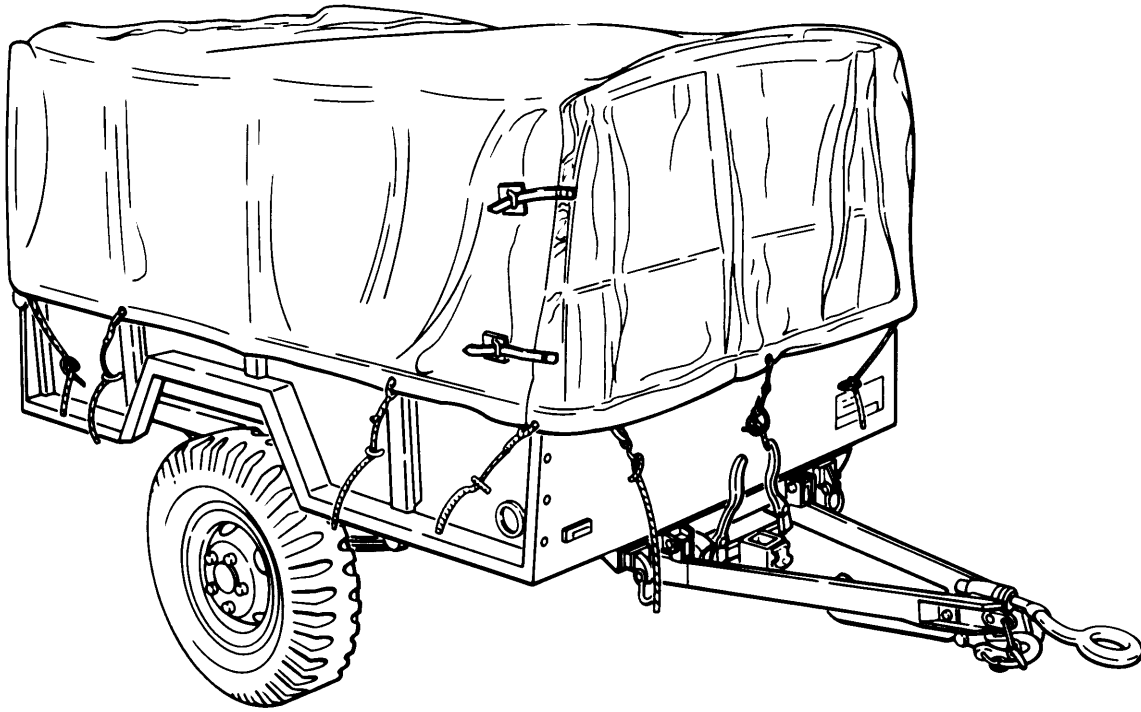
SHIPPING DATA

Weight: 670 lb

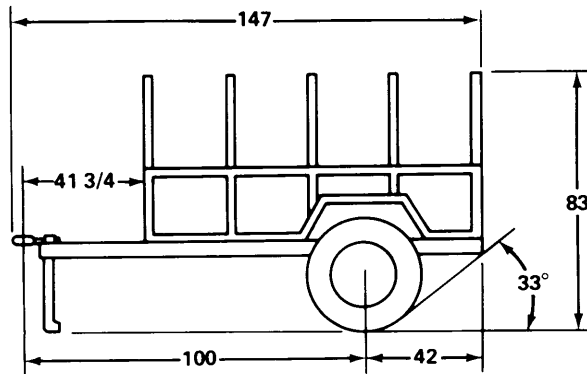
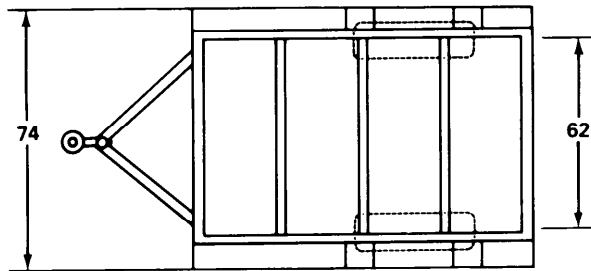
Cube: 159 cu ft

Ground Clearance:

Lunette Height:



NOTE:
ALL DIMENSIONS ARE IN INCHES.



TA208564

PURPOSE: Transport general cargo.

GENERAL INFORMATION

Nomenclature: TRAILER, CARGO:
3/4-Ton, 2 Wheel, W/E

Model Number: M101

NSN: 2330-00-738-9509

LIN: W95537

SSN: D062010

TM: 9-2330-202-14&P

CHARACTERISTICS

Electrical System: 24 Volt

Tires: 9:00 x 16, 8-ply

Brakes: Mechanical, parking brake only

Blackout Lights: Yes

PERFORMANCE DATA

Fording:

W/Kit: None

WO/Kit: 30 in

Approach Angle:

Departure Angle: 33 Degrees

VEHICLE DATA

Type Classification & Date: Std B, 1978

Replaced By: M101A1

Life Expectancy: 30 Years

Payload: Empty -1,340 lb
Cross Country -2,840 lb
Highway -3,590 lb

Gross Vehicle Weight: 2,840 lb

Air Transportability: Phase II

EQUIPMENT OPTIONS

Kits: Installation Stabilizer, Rear-10944400, Tarpaulin

SHIPPING DATA

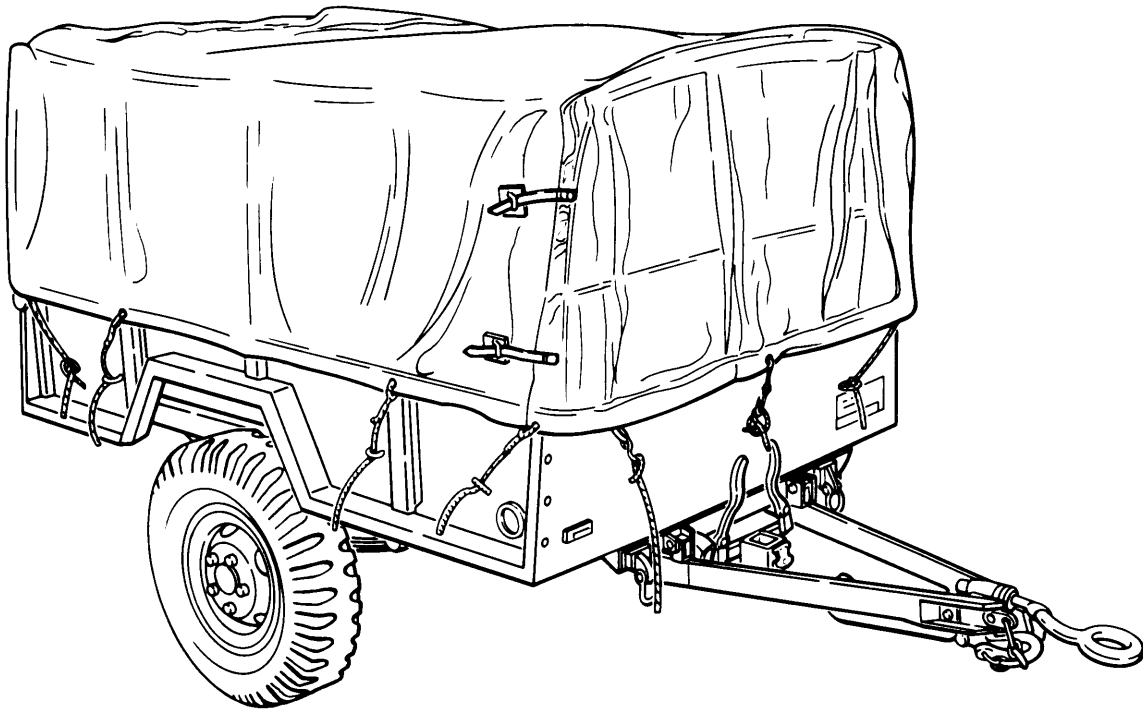
Weight: 1,340 lb

Shipping Volume: 520 cu ft

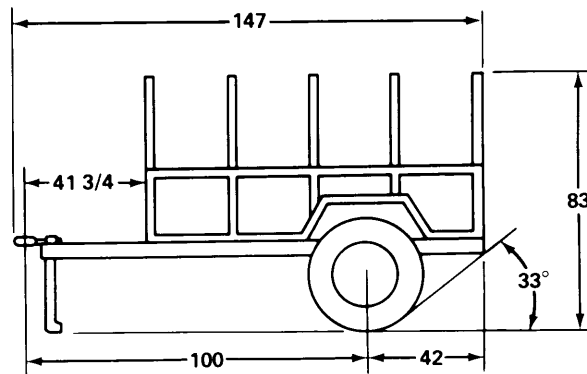
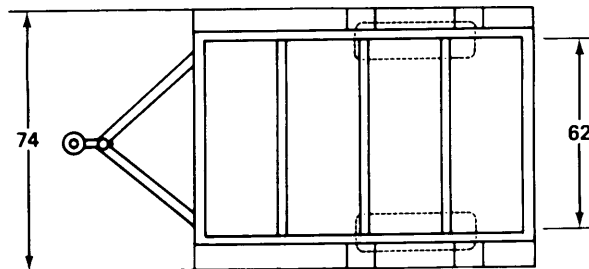
Cross Country: 213 cu ft

Ground Clearance: 14 in

Lunette Height:



NOTE:
ALL DIMENSIONS ARE IN INCHES.



TA208587

PURPOSE: Transport general cargo.

GENERAL INFORMATION

Nomenclature: TRAILER, CARGO:
3/4-Ton, 2 Wheel, W/E

Model Number: M101A1

NSN: 2330-00-898-6779

LIN: W95537

SSN: D062010

TM: 9-2330-202-14&P

CHARACTERISTICS

Electrical System: 24 Volt

Tires: 9:00 x 16, 8-ply

Brakes: Mechanical, parking brake only

Blackout Lights: Yes

PERFORMANCE DATA

Fording:

W/Kit:

WO/Kit: 30 in

Approach Angle:

Departure Angle: 33 Degrees

VEHICLE DATA

Type Classification & Date: Std A, 1978

Replaces: M101

Life Expectancy: 30 Years

Payload: 1,500 lb

Gross Vehicle Weight: 2,840 lb

Air Transportability: Phase II

EQUIPMENT OPTIONS

Kits: Installation Stabilizer, Rear
10944400, Tarpaulin

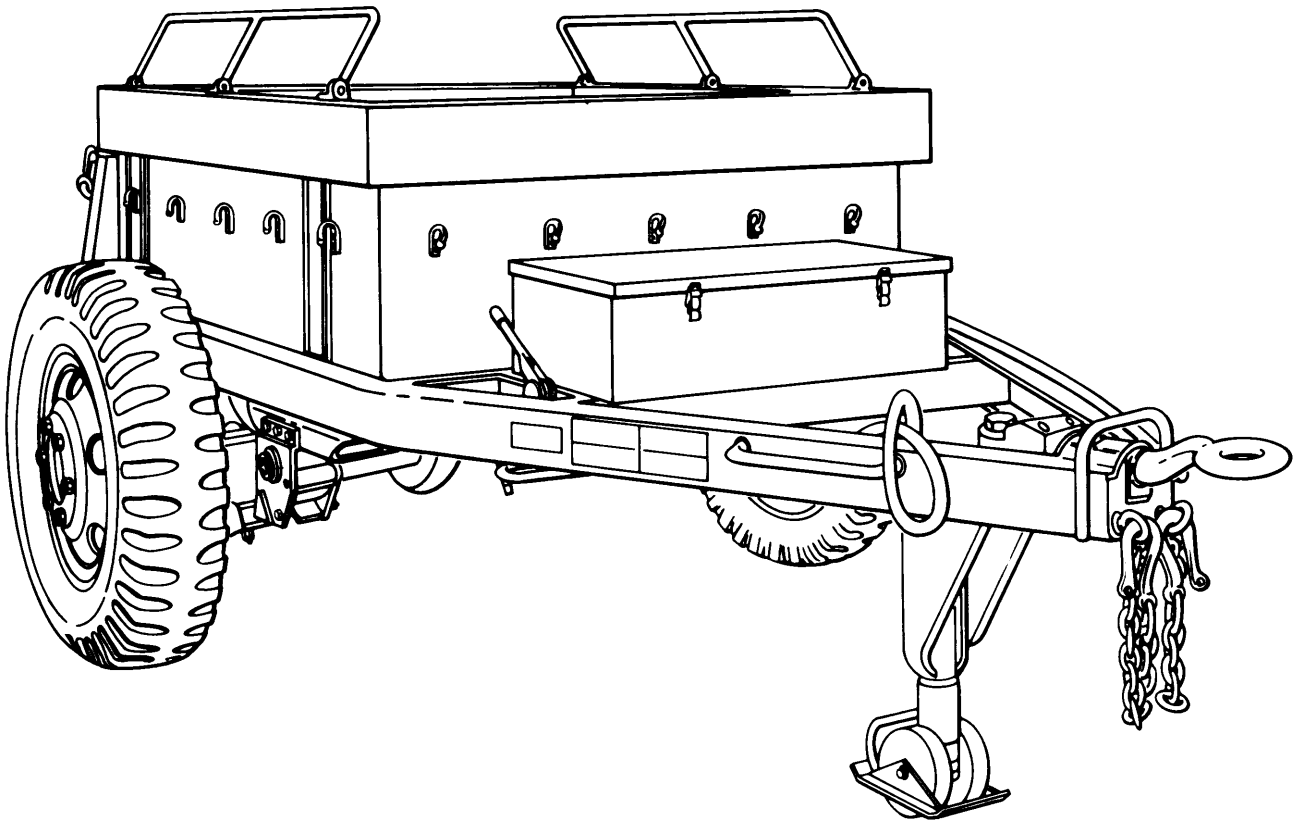
SHIPPING DATA

Weight: 1,340 lb

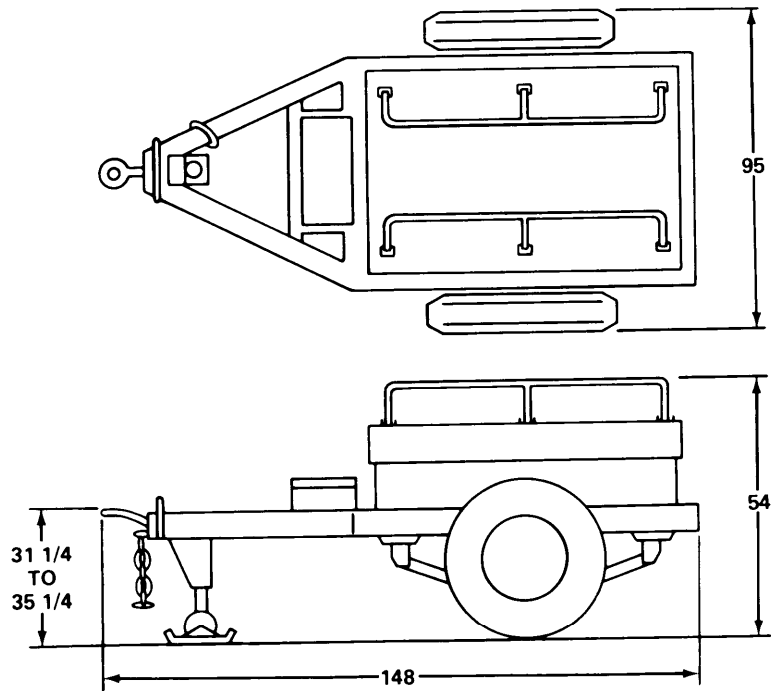
Cube: 520 cu ft

Ground Clearance: 14 in

Lunette Height:



NOTE:
ALL DIMENSIONS ARE IN INCHES.



TA208599

PURPOSE: Transport ammunition and general cargo.

GENERAL INFORMATION

Nomenclature: TRAILER, AMMUNITION/
GENERAL CARGO: 1 1/2-Ton, 2 Wheel

Model Number: M332

NSN: 2330-00-200-1785

LIN: W94030

SSN: D050000

TM: 9-2330-231-14

CHARACTERISTICS

Electrical System: 24 Volt

Tires: 9:00 x 20, 8-ply

Brakes: Air over hydraulic

Blackout Lights: Yes

PERFORMANCE DATA

Fording:

W/Kit:

WO/Kit: 30 in

Approach Angle:

Departure Angle:

VEHICLE DATA

Type Classification & Date: Std B, 1958

Replaces/Replaced By:

Life Expectancy: 20 Years

Payload: 3,000 lb

Gross Vehicle Weight: 5,800 lb

Air Transportability: Phase II

EQUIPMENT OPTIONS

Kits:

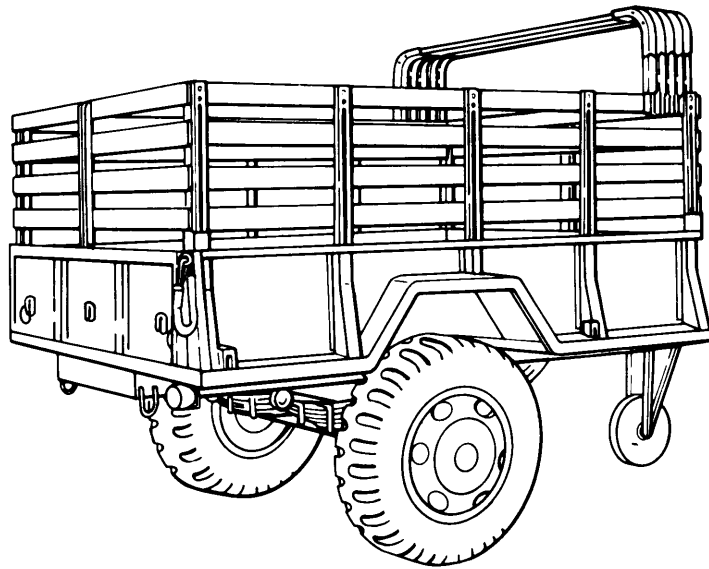
SHIPPING DATA

Weight: 2,800 lb

Cube: 433.3 cu ft

Ground Clearance:

Lunette Height: 31 1/4 in to 35 1/4 in



PURPOSE: Transport general cargo.

GENERAL INFORMATION

Nomenclature: TRAILER, CARGO:
1 1/2-Ton, 2 Wheel

Model Number: M105

NSN: 2330-00-277-9337

LIN: W95811

SSN: 0064010

TM: 9-2330-213-14

CHARACTERISTICS

Electrical System: 24 Volt

Tires: 9:00 x 20, 8-ply NDCC

Brakes: Air over hydraulic

Blackout Lights: Yes

PERFORMANCE DATA

Fording:

W/Kit:

WO/Kit: Submersible to top of Chassis

Approach Angle:

Departure Angle:

VEHICLE DATA

Type Classification & Date: Std B, 1958

Replaced By: M105A2

Life Expectancy: 20 Years

Payload: 3,000 lb

Gross Vehicle Weight: 5,750 lb

Air Transportability: Phase II

EQUIPMENT OPTIONS

Kits: Bow and Tarp

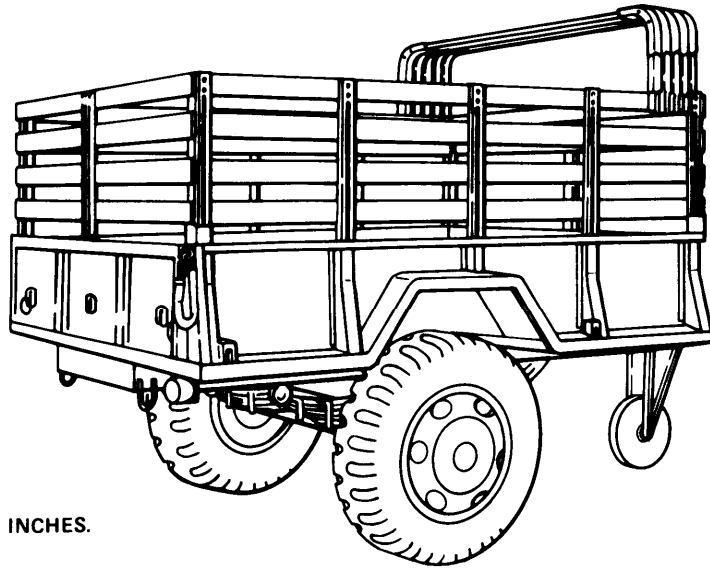
SHIPPING DATA

Weight: 2,750 lb

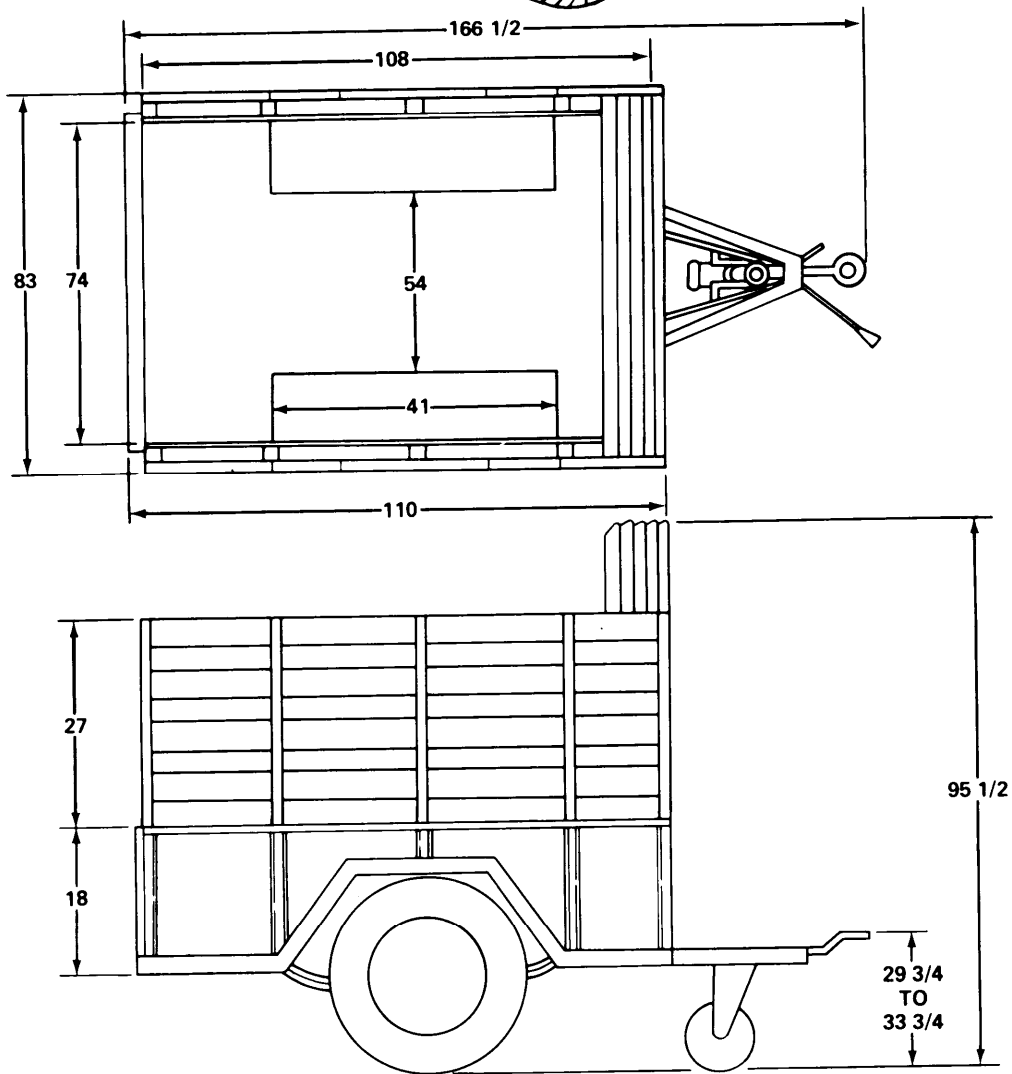
Cube: 776.7 cu ft

Ground Clearance: 16 1/2 in

Lunette Height: 29 3/4 in to 33 3/4 in



NOTE:
ALL DIMENSIONS ARE IN INCHES.



TA208586

PURPOSE: Transport general cargo.

GENERAL INFORMATION

Nomenclature: TRAILER, CARGO:
1 1/2-Ton, 2 Wheel

Model Number: M105A1

NSN: 2330-00-835-8631

LIN: W95811

SSN: D064010

TM: 9-2330-213-14

CHARACTERISTICS

Electrical System: 24 Volt

Tires: 9:00 x 20, 8-ply NDCC

Brakes: Mechanical, air over hydraulic

Blackout Lights: Yes

PERFORMANCE DATA

Fording:

W/Kit:

WO/Kit: Submersible for 15 minutes to
top of Chassis

Approach Angle:

Departure Angle:

VEHICLE DATA

Type Classification & Date: Std B, 1958

Replaced By: M105A2

Life Expectancy: 20 Years

Payload: 3,000 lb

Gross Vehicle Weight: 5,750 lb

Air Transportability: Phase II

EQUIPMENT OPTIONS

Kits: Bow and Tarp

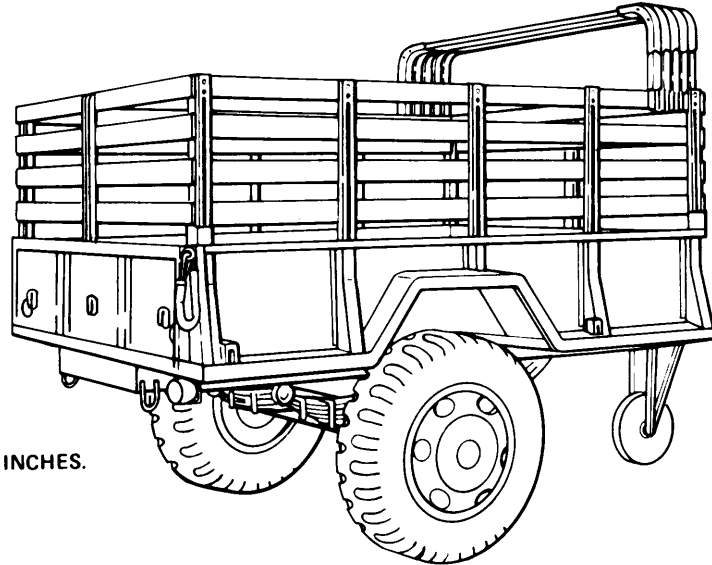
SHIPPING DATA

Weight: 2,750 lb

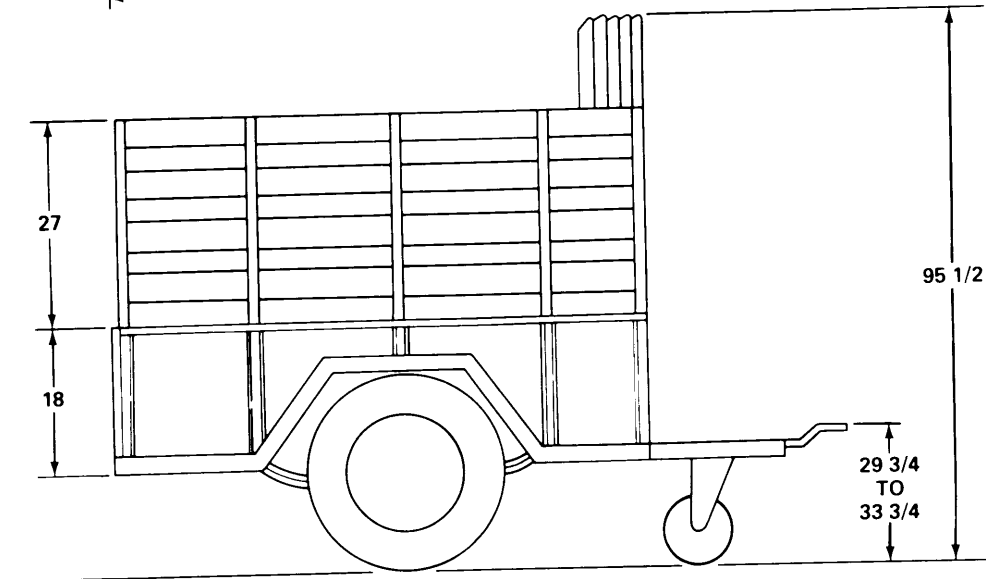
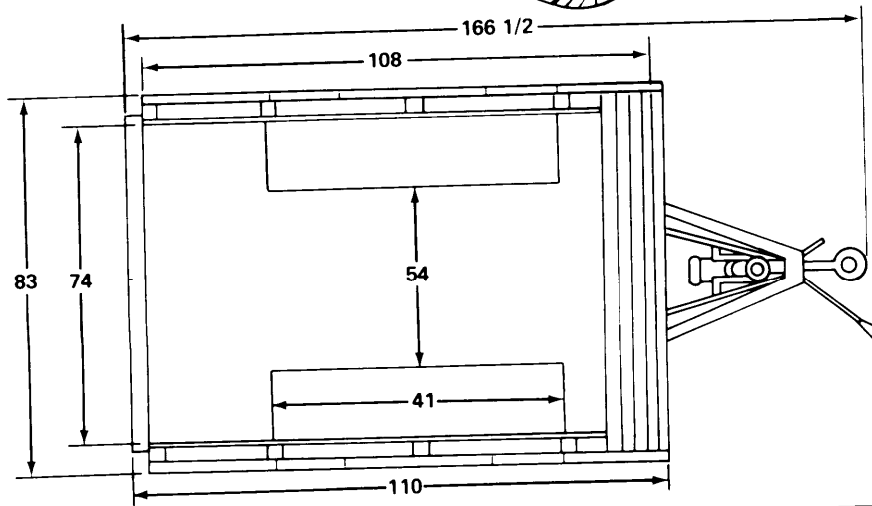
Cube: 776.7 cu ft

Ground Clearance: 16 1/2 in

Lunette Height: 29 3/4 in to 33 3/4 in



NOTE:
ALL DIMENSIONS ARE IN INCHES.



TA208640

PURPOSE: Transport general cargo.

GENERAL INFORMATION

Nomenclature: TRAILER, CARGO:
1 1/2-Ton, 2 Wheel

Model Number: M105A2

NSN: 2330-00-141-8050

LIN: W95811

SSN: D064010

TM: 9-2330-213-14

CHARACTERISTICS

Electrical System: 24 Volt

Tires: 2, 9:00 x 20

Brakes: Mechanical, air over hydraulic

Blackout Lights: Yes

PERFORMANCE DATA

Fording: Submersible for 15 minutes to
top of chassis

W/Kit:

WO/Kit:

Approach Angle:

Departure Angle:

VEHICLE DATA

Type Classification & Date: Std A, 1958

Replaces: M105 and M105A1

Life Expectancy: 20 Years

Payload: 3,000 lb

Gross Vehicle Weight: 5,750 lb

Air Transportability: Phase II

EQUIPMENT OPTIONS

Kits: Bow and Tarp, Shock Absorber, Rear
Support Leg

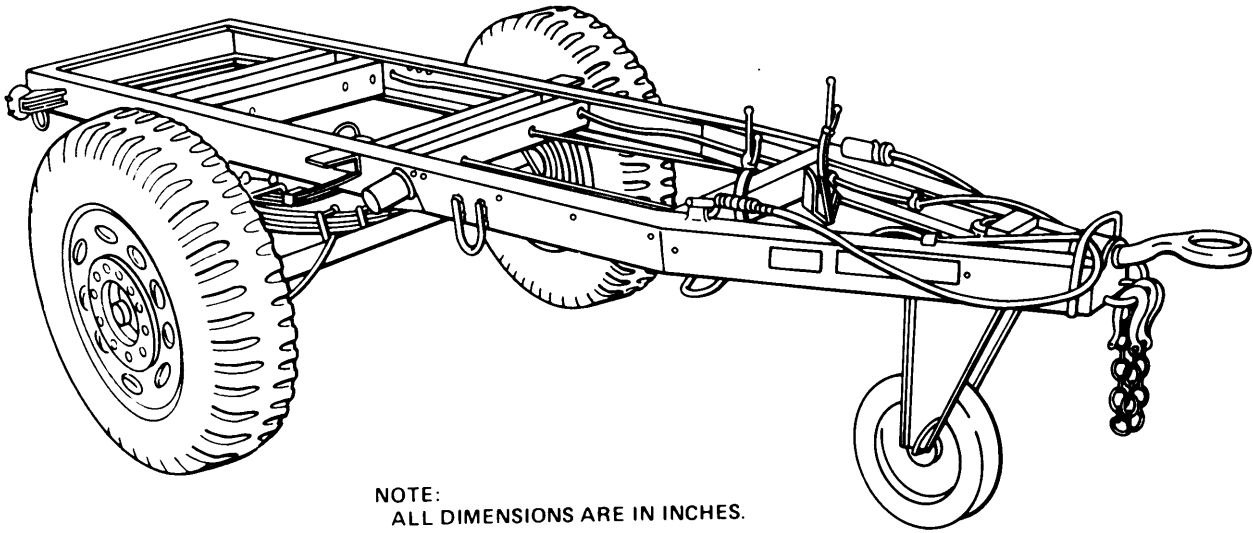
SHIPPING DATA

Weight: 2,750 lb

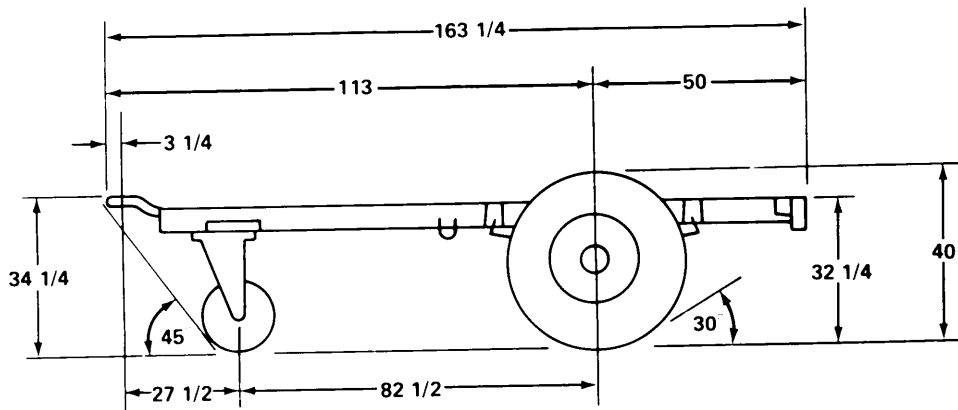
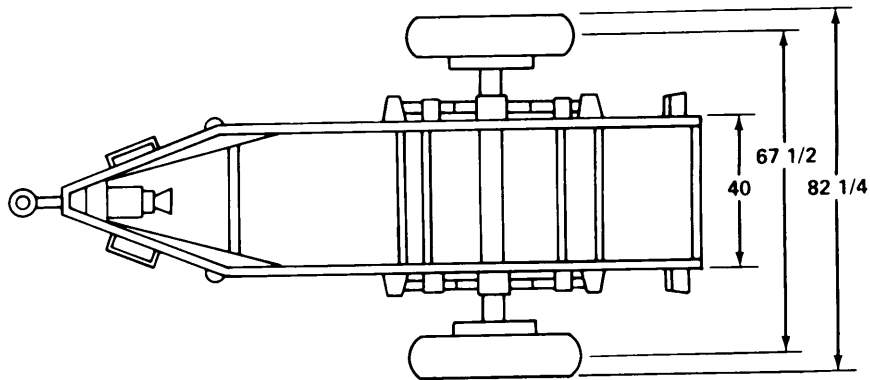
Cube: 776.7 cu ft

Ground Clearance: 16 1/2 in

Lunette Height: 29 3/4 in to 33 3/4 in



NOTE:
ALL DIMENSIONS ARE IN INCHES.



TA208604

PURPOSE: Chassis for Trailer, Cargo: 1 1/2 Ton, 2 Wheel, M105A2 and other equipment.

GENERAL INFORMATION

Nomenclature: CHASSIS, TRAILER:
1 1/2-Ton, 2 Wheel, W/E

Model Number: M103A3

NSN: 2330-00-141-8052

LIN: KC0470

SSN: D064020

TM: 9-2330-213-14

CHARACTERISTICS

Electrical System: 24 Volt

Tires: 9:00 x 20, 8-ply NDCC

Brakes: Air over hydraulic

Blackout Lights: Yes

PERFORMANCE DATA

Fording: Submersible for 15 minutes to top of Chassis

W/Kit:

WO/Kit:

Approach Angle: 45 Degrees

Departure Angle: 30 Degrees

VEHICLE DATA

Type Classification & Date: Std R, 1958

Replaces:

Life Expectancy: 20 Years

Payload: 4,090 lb (Includes body)

Gross Vehicle Weight: 5,750 lb

Air Transportability: Phase II

EQUIPMENT OPTIONS

Kits: Shock Absorber, Rear Support Leg

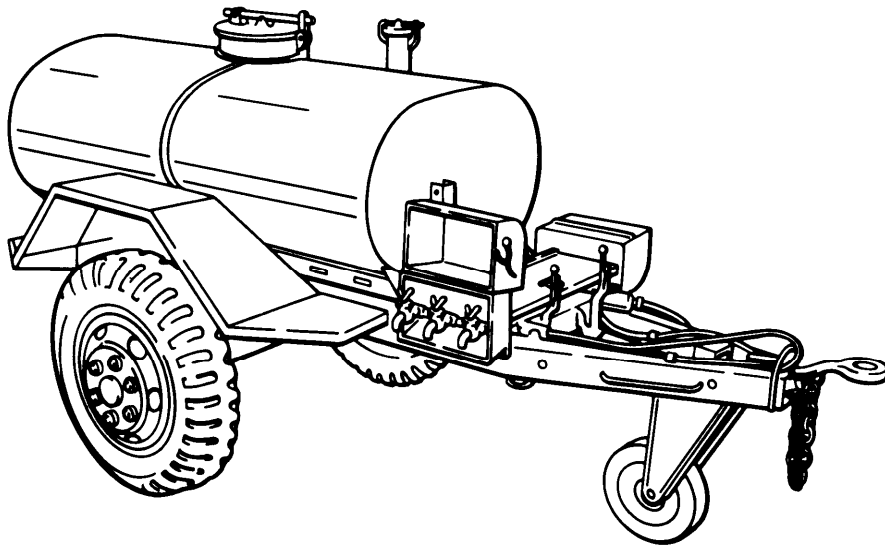
SHIPPING DATA

Weight: 1,660 lb

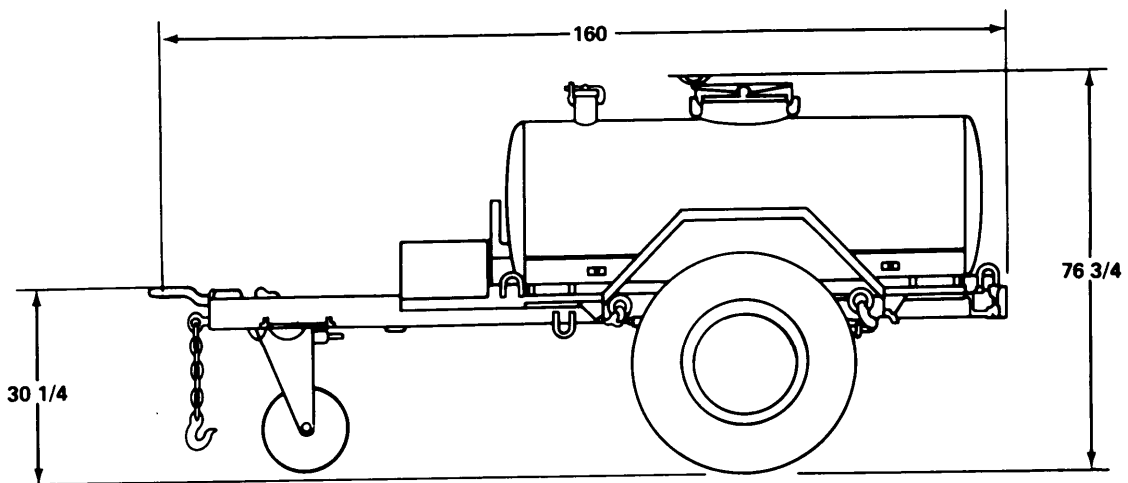
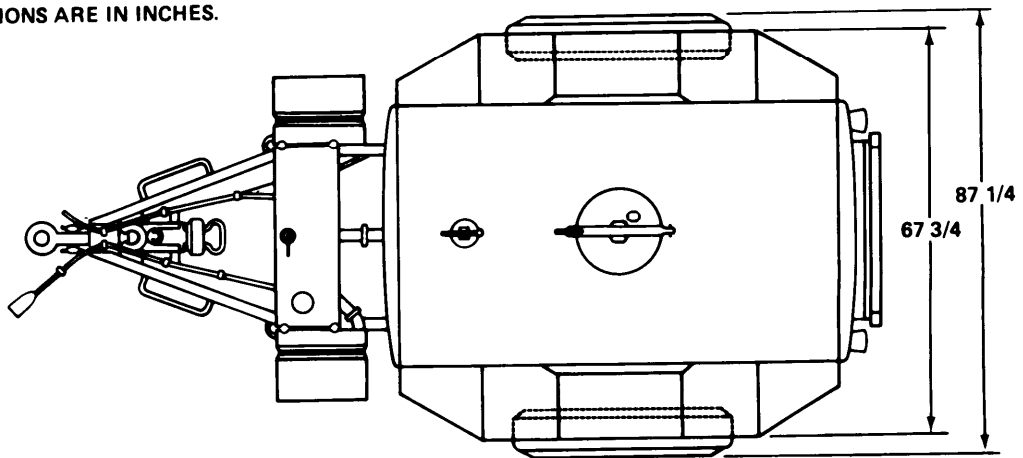
Cube: 310.8 cu ft

Ground Clearance: 16 1/8 in

Lunette Height: 34 1/4 in



NOTE:
ALL DIMENSIONS ARE IN INCHES.



TA208578

PURPOSE: Transport, store, and dispense drinking water.

GENERAL INFORMATION

Nomenclature: TRAILER TANK: 1 1/2-Ton, 2 Wheel, 400 Gal.

Model Number: M107A1

NSN: 2330-00-835-8633

LIN: W98825

SSN: D068010

TM: 9-2330-213-14

CHARACTERISTICS

Electrical System: 24 Volt

Tires: 9:00 x 20, 8-ply

Brakes: Air over hydraulic

Blackout Lights: Yes

PERFORMANCE DATA

Fording:

W/Kit:

WO/Kit: Completely submersible (floats)

Approach Angle: 32 Degrees

Departure Angle:

VEHICLE DATA

Type Classification & Date: Std B, 1958

Replaced By: M149A2

Life Expectancy: 20 Years

Payload: 3,000 lb

Gross Vehicle Weight: 5,380 lb

Air Transportability: Phase II

EQUIPMENT OPTIONS

Kits:

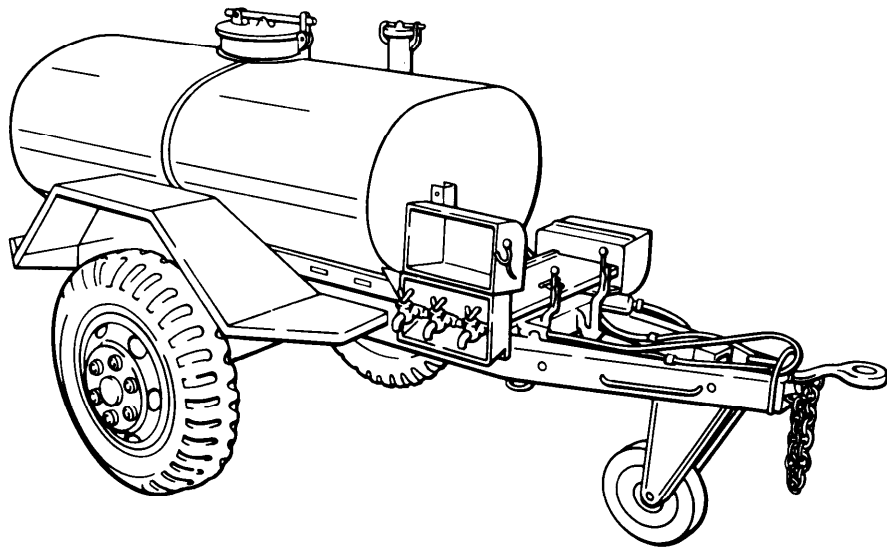
SHIPPING DATA

Weight: 2,380 lb

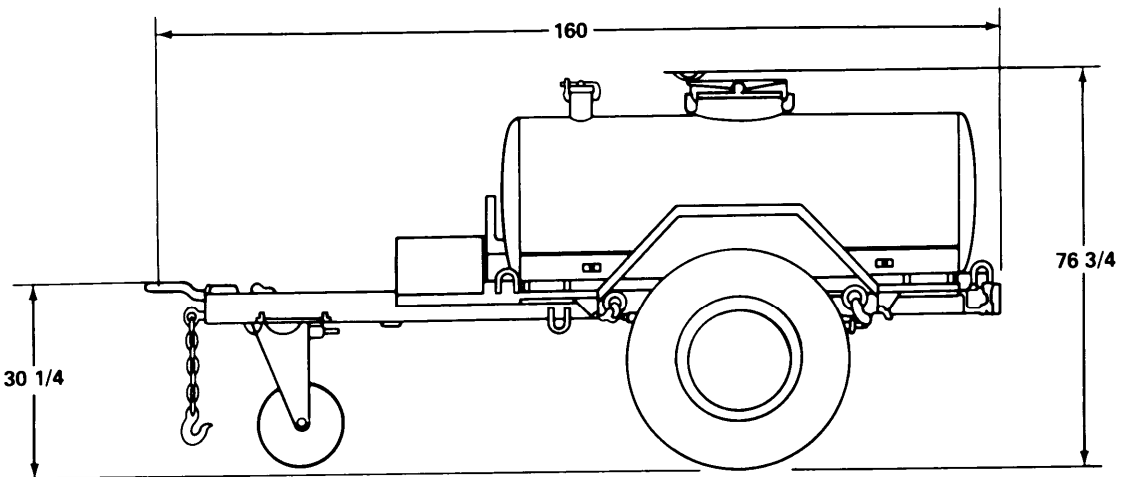
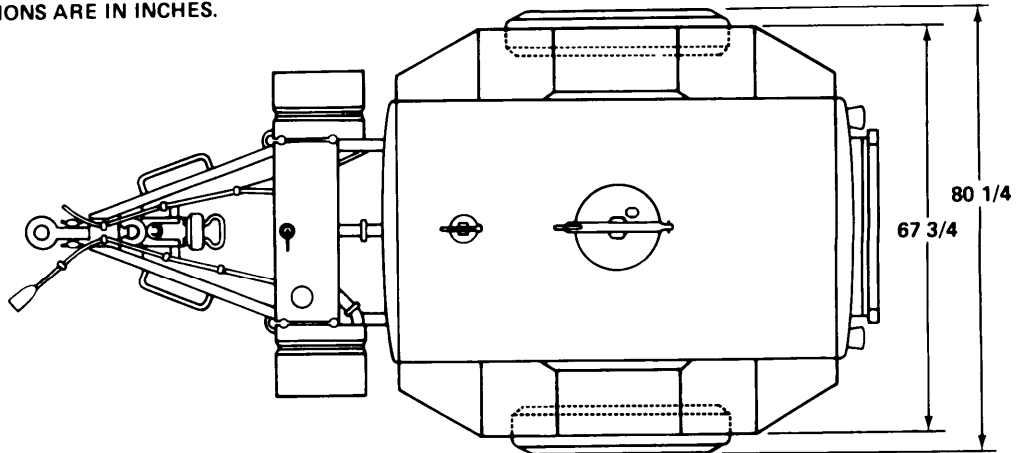
Cube: 595.5 cu ft

Ground Clearance: 16 1/8 in

Lunette Height: 30 1/4 in



NOTE:
ALL DIMENSIONS ARE IN INCHES.



TA208588

PURPOSE: Transport, store, and dispense drinking water.

GENERAL INFORMATION

Nomenclature: TRAILER, TANK: 1 1/2 Ton,
Water, 2 Wheel, 400 Gal

Model Number: M107A2

NSN: 2330-00-141-8049

LIN: W98825

SSN: D068010

TM: 9-2330-213-14

VEHICLE DATA

Type Classification & Date: Std B, 1959

Replaced By: M149A2

Life Expectancy: 20 Years

Payload: 3,000 lb

Gross Vehicle Weight: 5,380 lb

Air Transportability: Phase II

CHARACTERISTICS

Electrical System: 24 Volt

Tires: 9:00 x 20, 8-ply

Brakes: Air over hydraulic

Blackout Lights: Yes

EQUIPMENT OPTIONS

Kits:

PERFORMANCE DATA

Fording:

W/Kit:

WO/Kit: Completely submersible
(floats)

Approach Angle: 32 Degrees

Departure Angle:

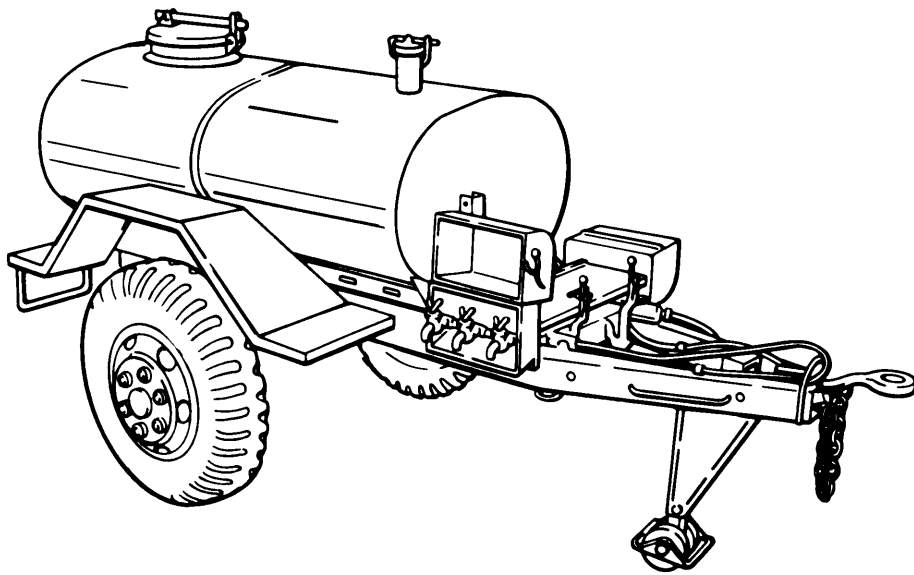
SHIPPING DATA

Weight: 2,380 lb

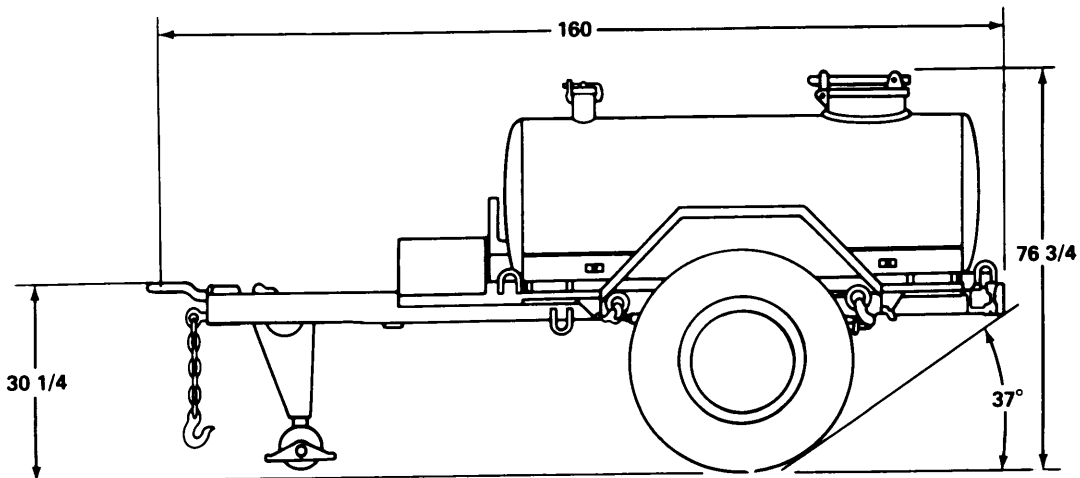
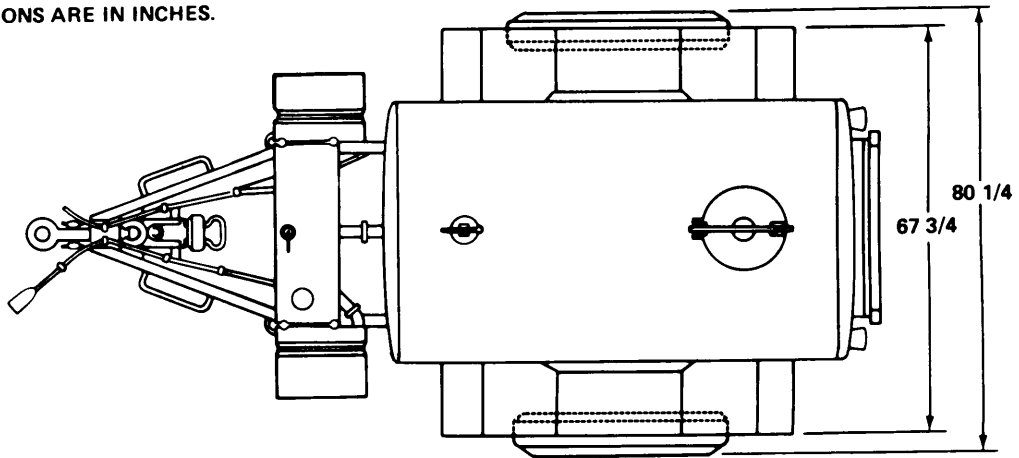
Cube: 595.5 cu ft

Ground Clearance: 16 1/8 in

Lunette Height: 30 1/4 in



NOTE:
ALL DIMENSIONS ARE IN INCHES.



TA208626

PURPOSE: Transport, store, and dispense drinking water on highway and cross-country terrains.

GENERAL INFORMATION

Nomenclature: TRAILER, TANK: 1 1/2-Ton,
Water, 2 Wheel, 400 Gal, W/E

Model Number: M149

NSN: 2330-00-542-2039

LIN: W98825

SSN: D068010

TM: 9-2330-267-14&P

VEHICLE DATA

Type Classification & Date: Std B, 1969

Replaced By: M149A2

Life Expectancy: 12 Years

Payload: 3,335 lb

Gross Vehicle Weight: 5,835 lb

Air Transportability: Phase II

CHARACTERISTICS

Electrical System: 24 Volt

Tires: 9:00 x 20, 8-ply

“Brakes: Air over hydraulic

Blackout Lights: Yes

EQUIPMENT OPTIONS

Kits:

PERFORMANCE DATA

Fording:

W/Kit:

WO/Kit: Floats

Approach Angle: 37 Degrees

Departure Angle:

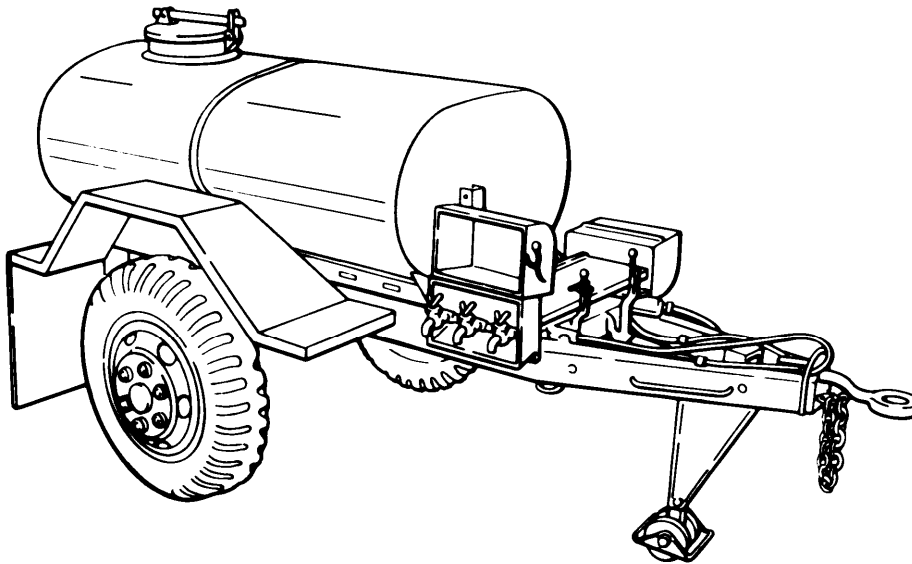
SHIPPING DATA

Weight: 2,500 lb

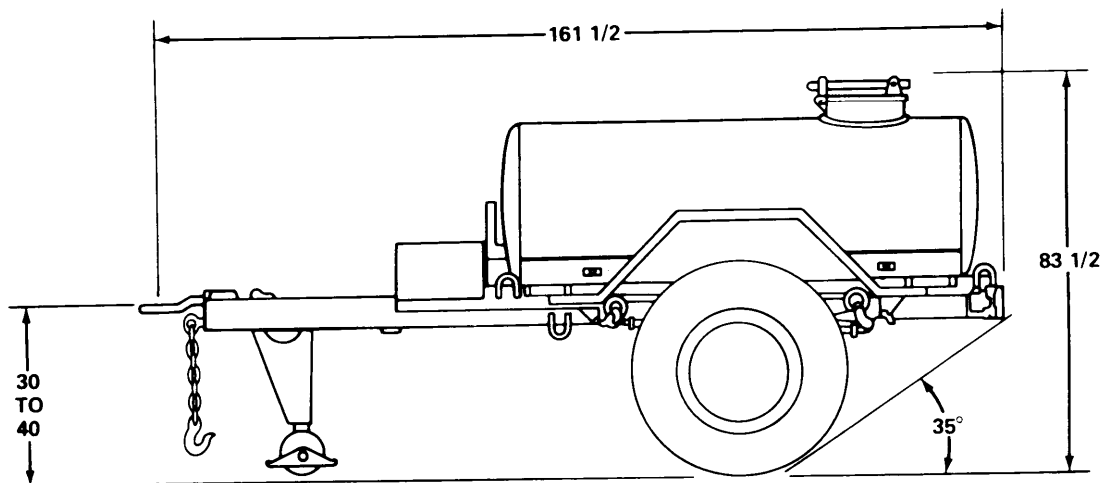
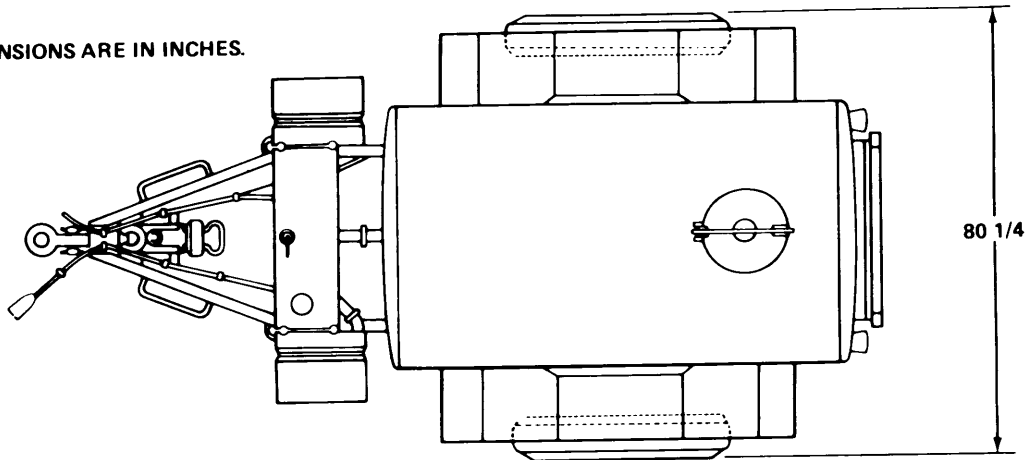
Cube: 608 cu ft

Ground Clearance: 17 in

Lunette Height: 30 1/4 in



NOTE:
ALL DIMENSIONS ARE IN INCHES.



TA208625

PURPOSE: Transport, store, and dispense drinking water.

GENERAL INFORMATION

Nomenclature: TRAILER, TANK: 1 1/2-Ton,
Water, 2 Wheel, 400 Gal

Model Number: M149A1

NSN: 2330-00-832-8801

LIN: W98825

SSN: D068000

TM: 9-2330-267-14&P

VEHICLE DATA

Type Classification & Date: Std B, 1981

Replaced By: M149A2

Life Expectancy: 12 Years

Payload: 3,332 lb

Gross Vehicle Weight: 6,042 lb

Air Transportability: Phase II

CHARACTERISTICS

Electrical System: 24 Volt

Tires: 9:00 x 20, 8-ply

Brakes: Air over hydraulic

Blackout Lights:

EQUIPMENT OPTIONS

Kits:

PERFORMANCE DATA

Fording:

W/Kit:

WO/Kit: Floats

Approach Angle:

Departure Angle: 37 Degrees

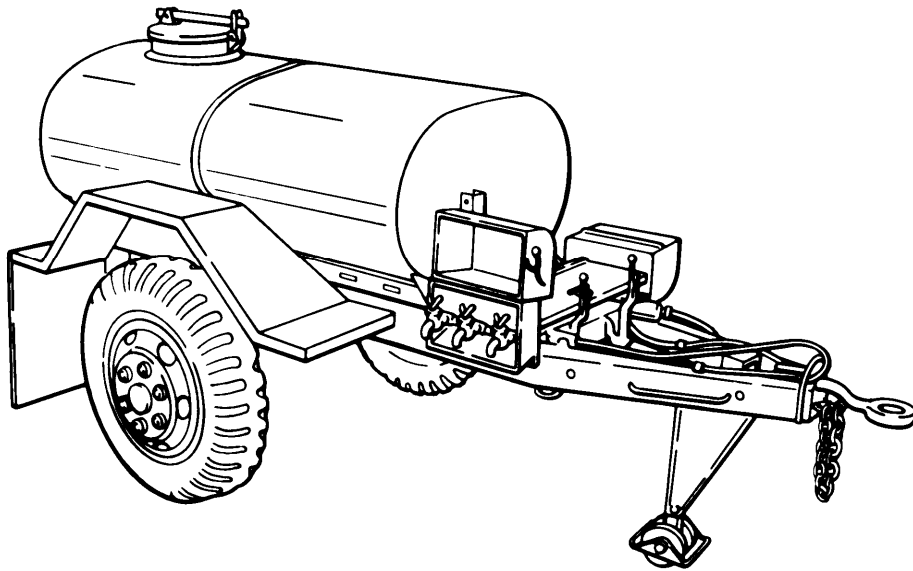
SHIPPING DATA

Weight: 2,710 lb

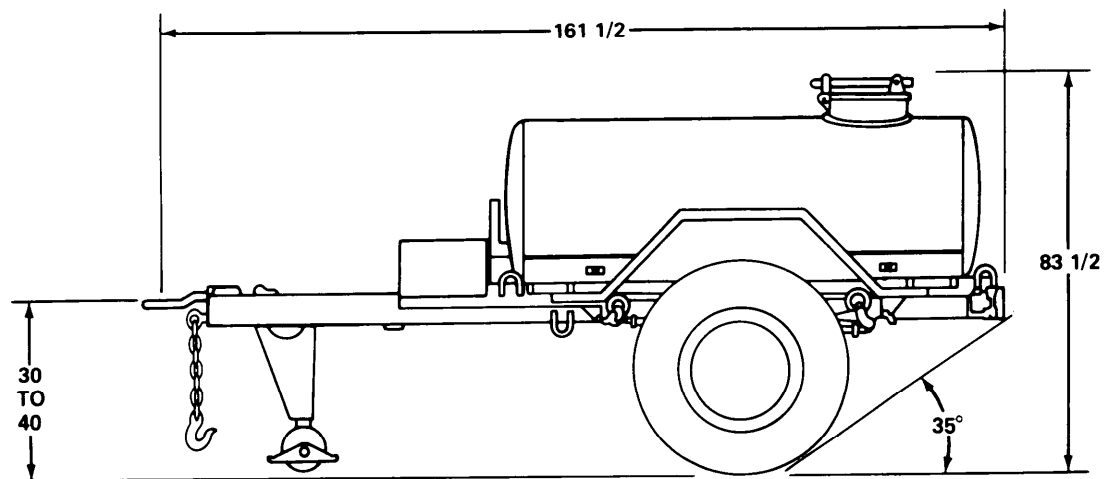
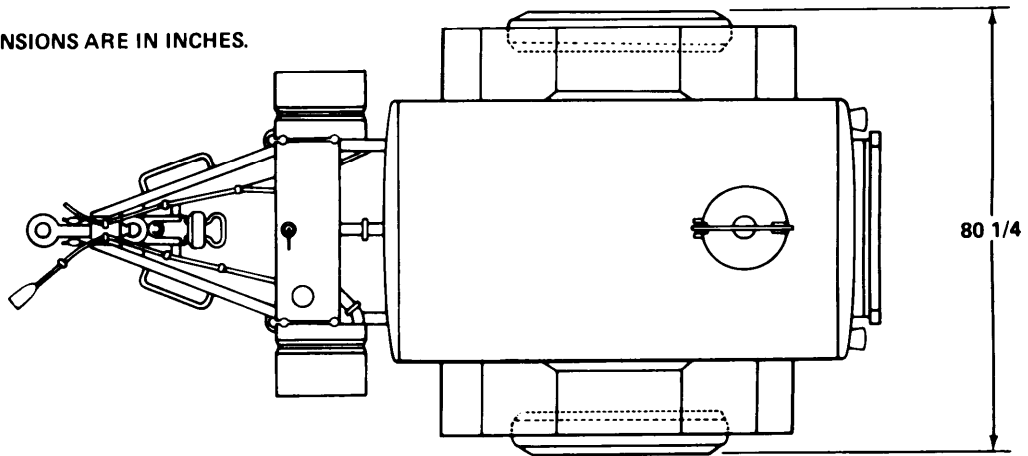
Cube: 625 cu ft

Ground Clearance: 17 in

Lunette Height: 30 in to 40 in



NOTE:
ALL DIMENSIONS ARE IN INCHES.



TA209207

PURPOSE: Transport, store, and dispense drinking water.

GENERAL INFORMATION

Nomenclature: TRAILER, TANK: 1 1/2-Ton,
Water, 2 Wheel, 400 Gal.

Model Number: M149A2

NSN: 2330-01-108-7367

LIN: W98825

SSN: D068000

TM: 9-2330-267-14&P

CHARACTERISTICS

Electrical System: 24 Volt

Tires: 9:00 x 20, 8-ply

Brakes: Air over hydraulic

Blackout Lights: Yes

PERFORMANCE DATA

Fording:

W/Kit:

WO/Kit:

Approach Angle:

Departure Angle: 35 Degrees

VEHICLE DATA

Type Classification & Date: Std A, 1981

Replaces: M149A1, M149, M107A2, M107A1

Life Expectancy: 20 Years

Payload: 3,332 lb

Gross Vehicle Weight: 6,132 lb

Air Transportability: Phase II

EQUIPMENT OPTIONS

Kits:

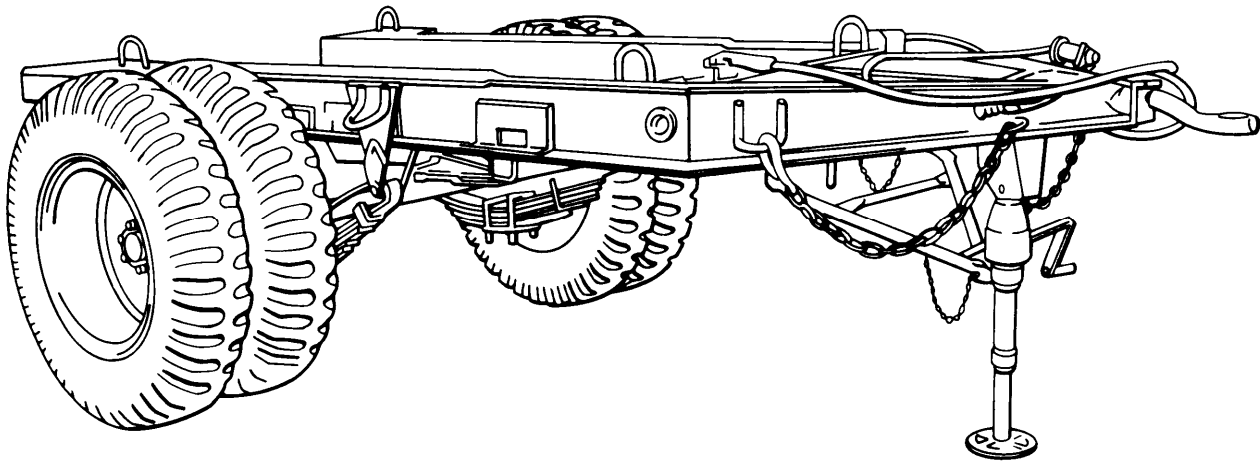
SHIPPING DATA

Weight: 2,730 lb

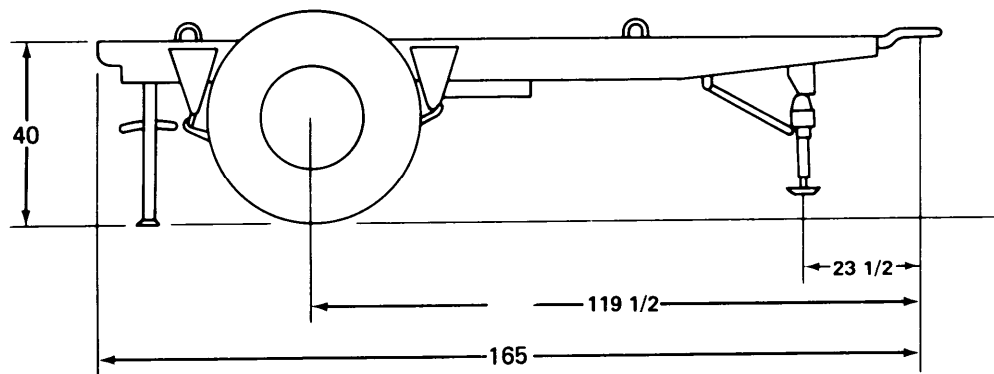
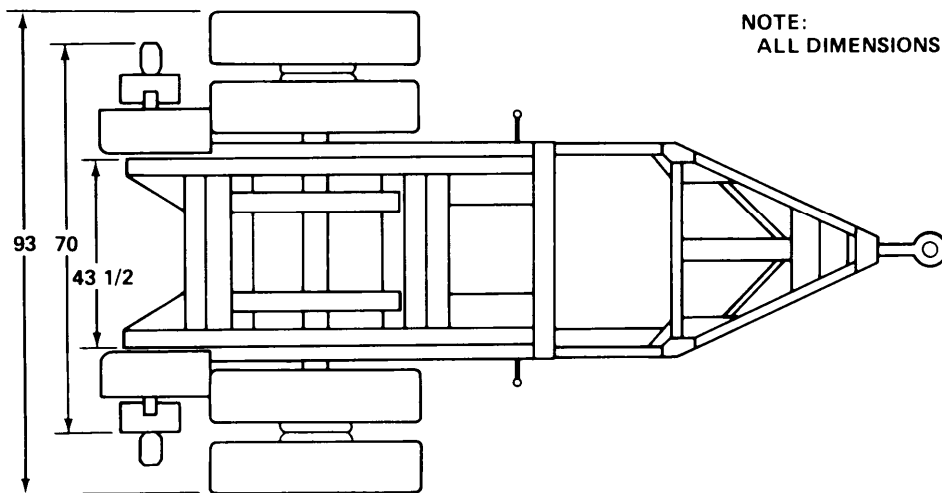
Cube: 625 cu ft

Ground Clearance: 17 in

Lunette Height: 30 in to 40 in



NOTE:
ALL DIMENSIONS ARE IN INCHES.



TA208729

PURPOSE: This trailer is employed by support units organic to Infantry, Armored, Artillery, and Airborne divisions with electric power requirements of 10 to 60 kilowatts.

GENERAL INFORMATION

Nomenclature: TRAILER, CHASSIS:
2 1/2-Ton, 2 Wheel, Generator

Model Number: M200A1

NSN: 2330-00-331-2307

LIN: E02807

SSN: D002010

TM: 9-2330-205-14

VEHICLE DATA

Type Classification & Date: Std A, 1968

Replaces/Replaced By:

Life Expectancy: 25 Years

Payload: 7,000 lb

Gross Vehicle Weight: 7,410 lb

Air Transportability: Phase III

CHARACTERISTICS

Electrical System: 24 Volt

Tires: 9:00 x 20, 8-ply NDCC

Brakes: Air over hydraulic

Blackout Lights: Yes

EQUIPMENT OPTIONS

Kits:

PERFORMANCE DATA

Fording:

W/Kit:

WO/Kit: Top of frame

Approach Angle: 30 Degrees

Departure Angle:

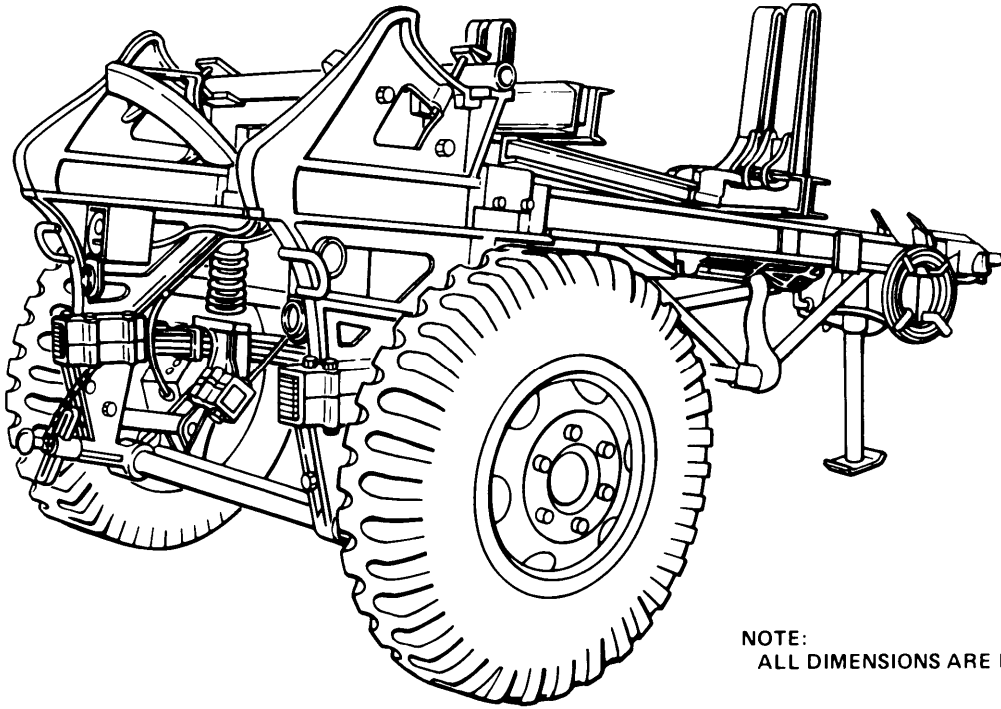
SHIPPING DATA

Weight: 2,410 lb

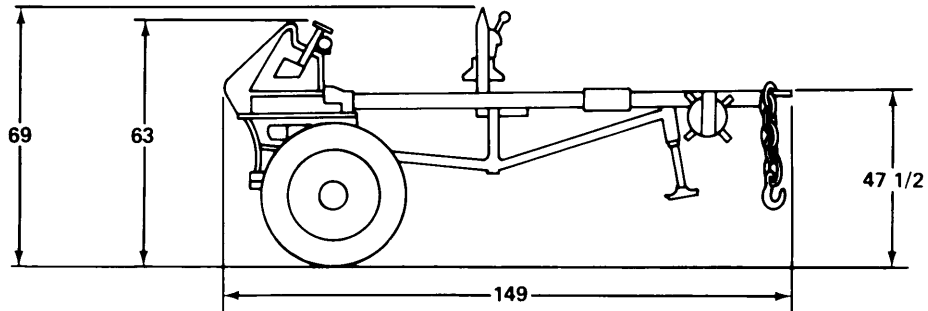
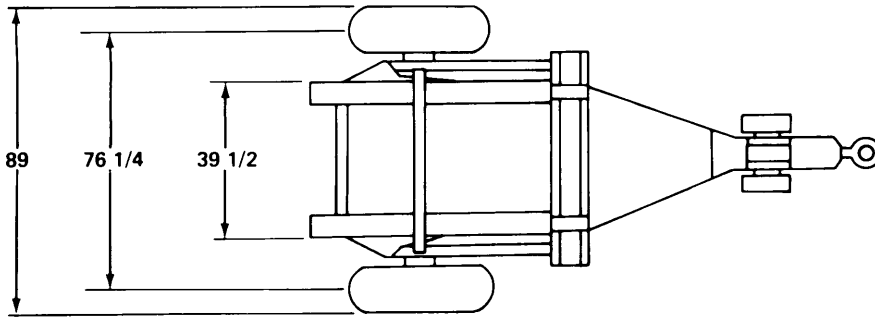
Cube: 331.3 cu ft

Ground Clearance:

Lunette Height:



NOTE:
ALL DIMENSIONS ARE IN INCHES.



TA208579

PURPOSE: Used for construction and maintenance of telephone-telegraph pile and field lines.

GENERAL INFORMATION

Nomenclature: TRAILER, CABLE REEL:
3 1/2 Ton, 2 Wheel

Model Number: M310

NSN: 2330-00-395-1878

LIN: W95263

SSN: D054010

TM: 9-2330-218-14

CHARACTERISTICS

Electrical System: 24 Volt

Tires: 11:00 x 20, 12-ply NDCC

Brakes: Air over hydraulic

Blackout Lights: Yes

PERFORMANCE DATA

Fording: Submersible for 15 minutes

W/Kit:

WO/Kit:

Approach Angle:

Departure Angle:

VEHICLE DATA

Type Classification & Date: Std A, 1965

Replaces/Replaced By:

Life Expectancy: 25 Years

Payload: 7,000 lb

Gross Vehicle Weight: 9,950 lb

Air Transportability: Phase II

EQUIPMENT OPTIONS

Kits:

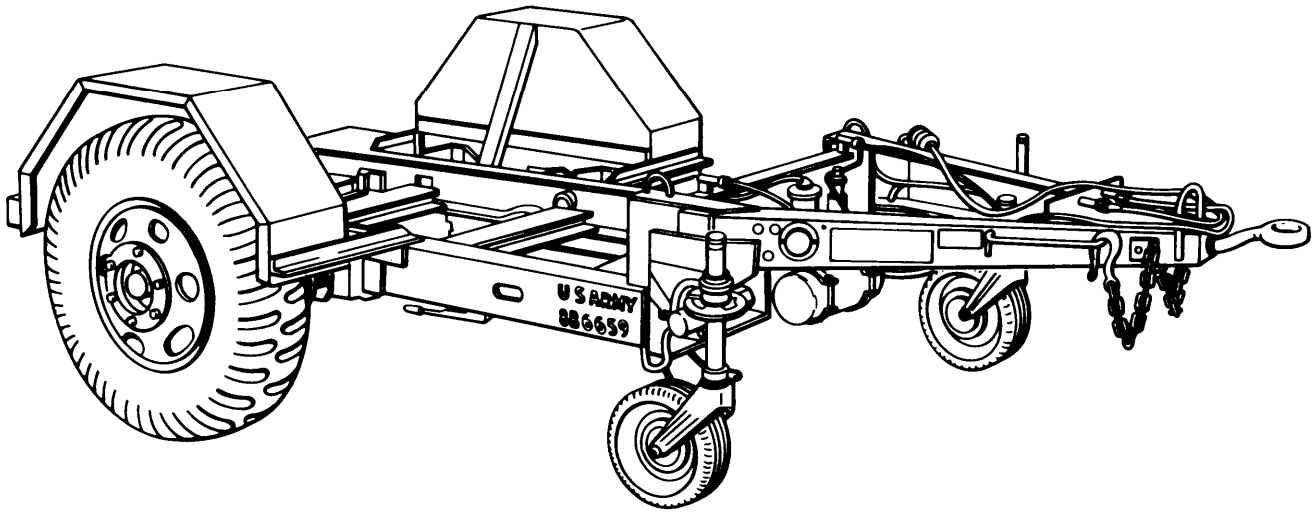
SHIPPING DATA

Weight: 2,520 lb

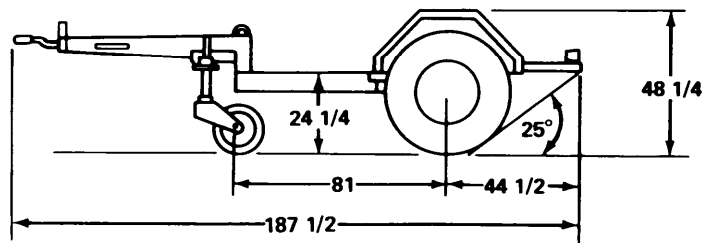
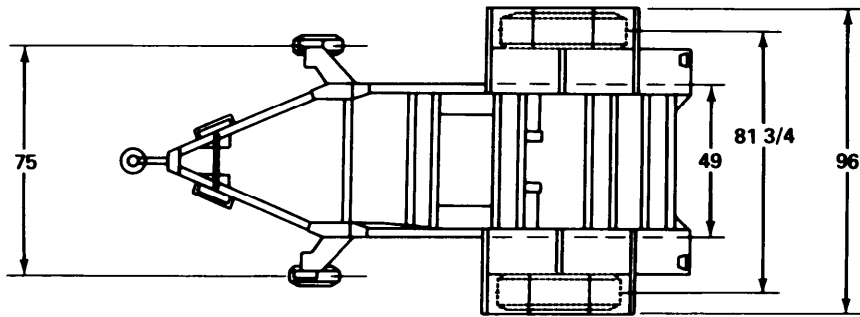
Cube: 543.34 cu ft

Ground Clearance: 9 in (Lower axle)

Lunette Height: 47 1/2 in



NOTE:
ALL DIMENSIONS ARE IN INCHES.



TA208612

PURPOSE: This trailer is employed by support units organic to Infantry, Armored, Artillery, and Airborn Divisions or wherever electric power of 60 to 100 kilowatts is required.

GENERAL INFORMATION

Nomenclature: TRAILER, CHASSIS:
3 1/2-Ton, 2 Wheel

Model Number: M353

NSN: 2330-00-542-2831

LIN: E02670

SSN: D008010

TM: 9-2330-247-14&P

VEHICLE DATA

Type Classification & Date: Std A, 1972

Replaces/Replaced By:

Life Expectancy: 25 Years

Payload: 8,000 lb
Off Road -7,000 lb

Gross Vehicle Weight:

Air Transportability: Phase II

CHARACTERISTICS

Electrical System: 24 Volt

Tires: 11:00 x 20, 12-ply NDCC

Brakes: Air over hydraulic

Blackout Lights: Yes

EQUIPMENT OPTIONS

Kits:

PERFORMANCE DATA

Fording:

W/Kit:

WO/Kit: 27 in

Approach Angle:

Departure Angle: 25 Degrees

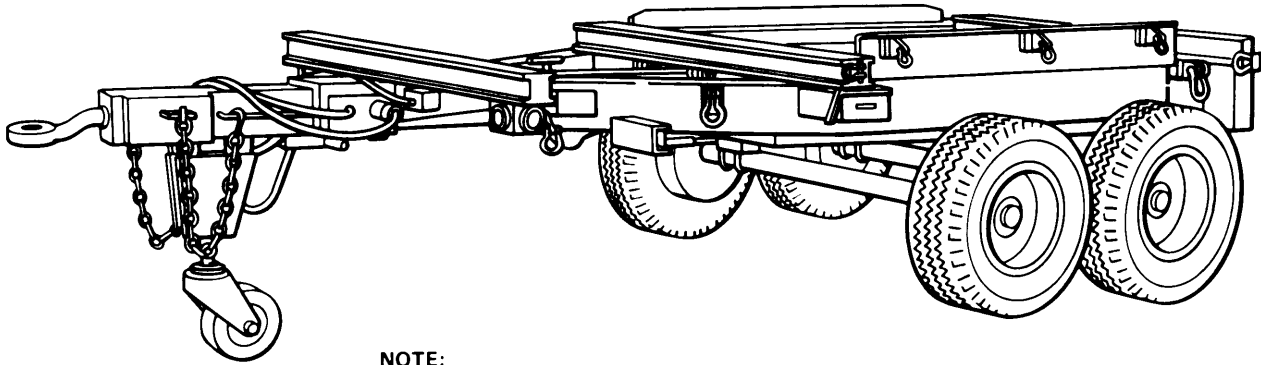
SHIPPING DATA

Weight: 2,650 lb

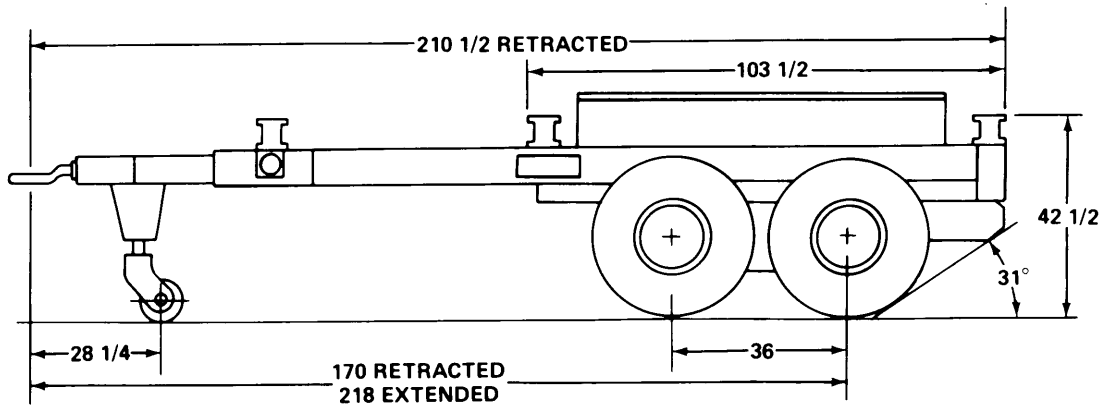
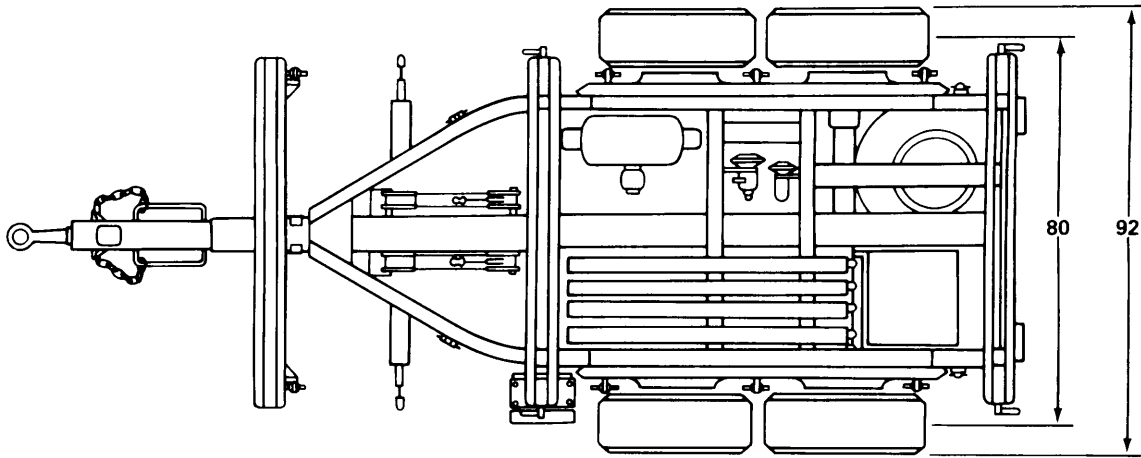
Cube: 510 cu ft

Ground Clearance: 14 in

Lunette Height:



NOTE:
ALL DIMENSIONS ARE IN INCHES.



TA208642

PURPOSE: Transport combat bridging components.

GENERAL INFORMATION

Nomenclature: TRAILER, BOLSTER: 4 Ton,
4 Wheel, General Purpose

Model Number: M796

NSN: 2330-00-089-3866

LIN: W94536

SSN: D072010

TM: 9-2330-287-14&P

VEHICLE DATA

Type Classification & Date: Std A, 1969

Replaced By: M796A1

Life Expectancy: 25 Years

Payload: 8,000 lb

Gross Vehicle Weight: 12,820 lb

Air Transportability: Phase III

CHARACTERISTICS

Electrical System: 24 Volt

Tires: 4, 16:5 x 12, 10-ply

Brakes: Air over hydraulic

Blackout Lights: Yes

EQUIPMENT OPTIONS

Kits: Invasion Pipe Retainer

PERFORMANCE DATA

Fording:

W/Kit:

WO/Kit: 42 1/2 in

Approach Angle:

Departure Angle: 31 Degrees

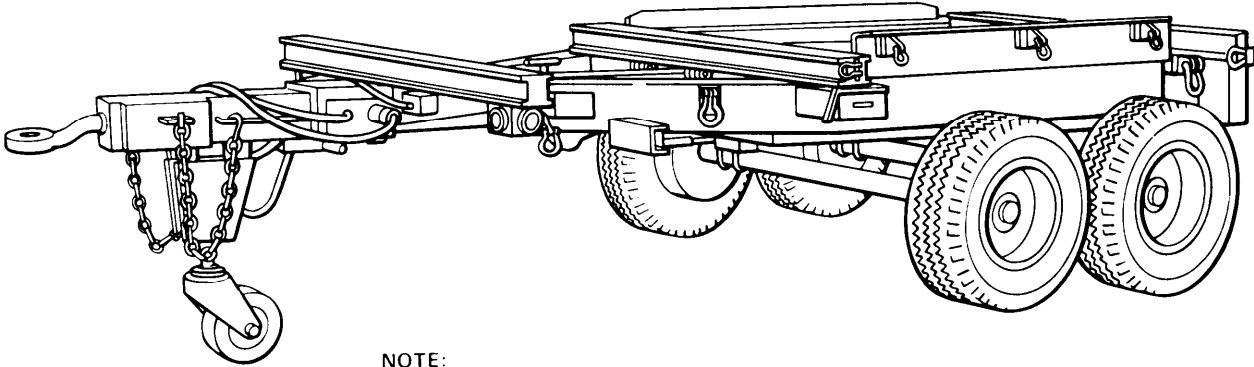
SHIPPING DATA

Weight: 4,820 lb

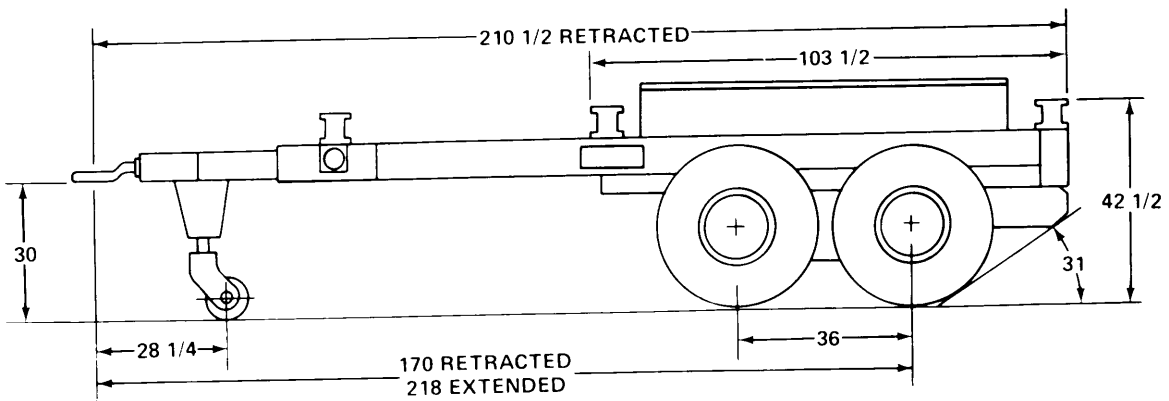
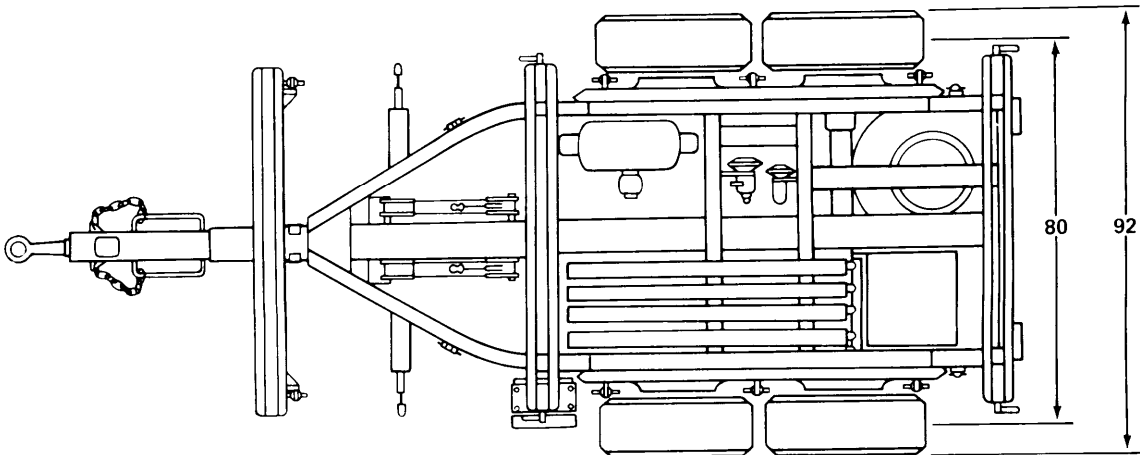
Cube: 475 cu ft

Ground Clearance: 13 1/4 in

Lunette Height:



NOTE:
ALL DIMENSIONS ARE IN INCHES.



TA209208

PURPOSE: Transport combat bridging components.

GENERAL INFORMATION

Nomenclature: TRAILER, BOLSTER:
4-Ton, 4 Wheel, General Purpose

Model Number: M796A1

NSN: 2330-01-137-5116

LIN: W94536

SSN: D072010

TM: 9-2330-287-14&P

CHARACTERISTICS

Electrical System: 24 Volt

Tires: 4, 16:5 x 12, 10-ply

Brakes: Air over hydraulic

Blackout Lights: Yes

PERFORMANCE DATA

Fording:

W/Kit:

WO/Kit: 42 1/2 in

Approach Angle:

Departure Angle: 31 Degrees

VEHICLE DATA

Type Classification & Date: Std A, 1983

Replaces: M796

Life Expectancy: 25 Years

Payload: 8,000 lb

Gross Vehicle Weight: 13,210 lb

Air Transportability: Phase III

EQUIPMENT OPTIONS

Kits: Invasion Pipe Retainer

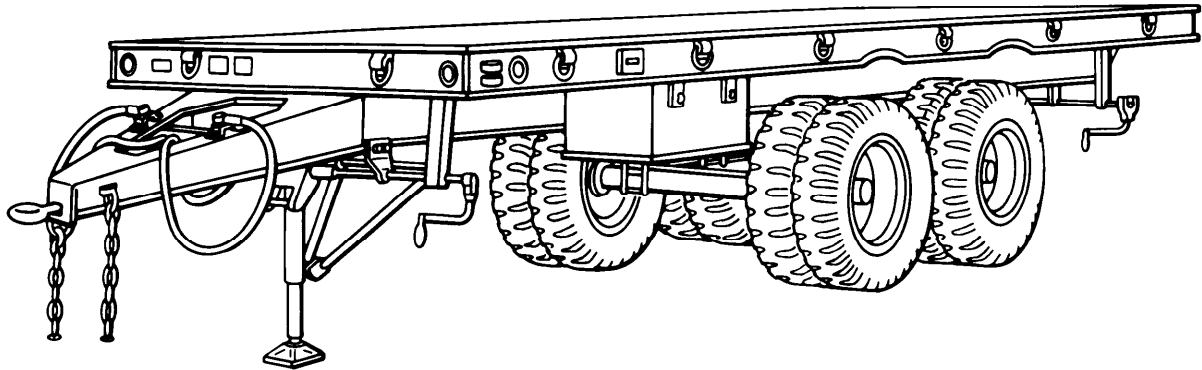
SHIPPING DATA

Weight: 4,820 lb

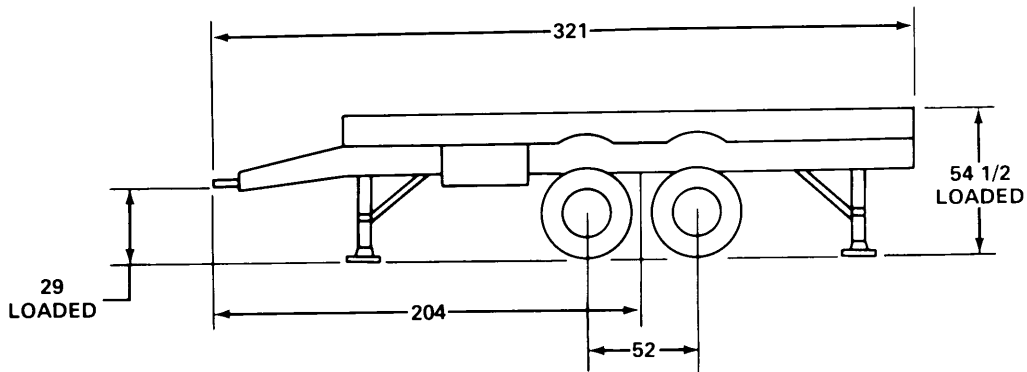
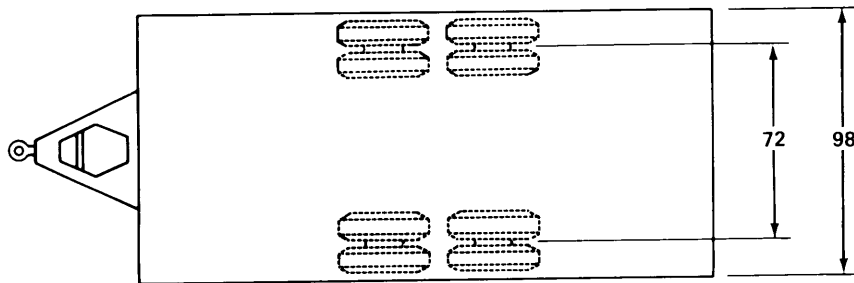
Cube: 475 cu ft

Ground Clearance: 13 1/4 in

Lunette Height: 30 in



NOTE:
ALL DIMENSIONS ARE IN INCHES.



TA208614

PURPOSE: Transport military equipment and general cargo.

GENERAL INFORMATION

Nomenclature: TRAILER, FLAT BED:
10-Ton, 4 Wheel

Model Number: M345

NSN: 2330-00-200-1737

LIN: W96907

SSN: 0052000

TM: 9-2330-241-14

CHARACTERISTICS

Electrical System: 24 Volt

Tires: 8, 11:00 x 20, 12-ply

Brakes: Air over hydraulic

Blackout Lights: Yes

PERFORMANCE DATA

Fording:

W/Kit:

WO/Kit:

Approach Angle:

Departure Angle:

VEHICLE DATA

Type Classification & Date: Std A, 1971

Replaces/Replaced By:

Life Expectancy: 25 Years

Payload: Maximum: 26,000 lb
Off Road: 20,000 lb

Gross Vehicle Weight: 31,260 lb

Air Transportability:

EQUIPMENT OPTIONS

Kits:

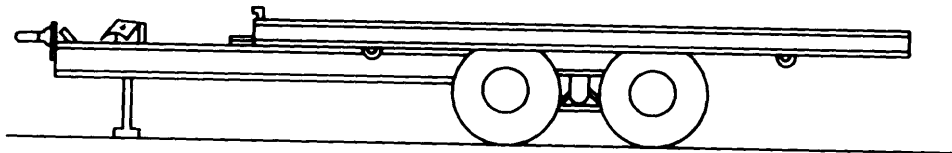
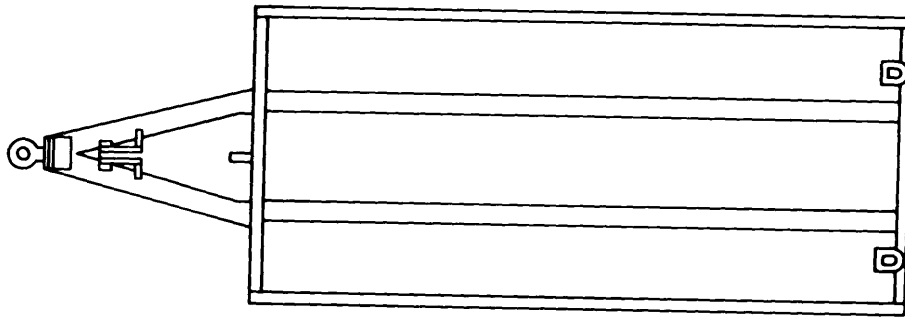
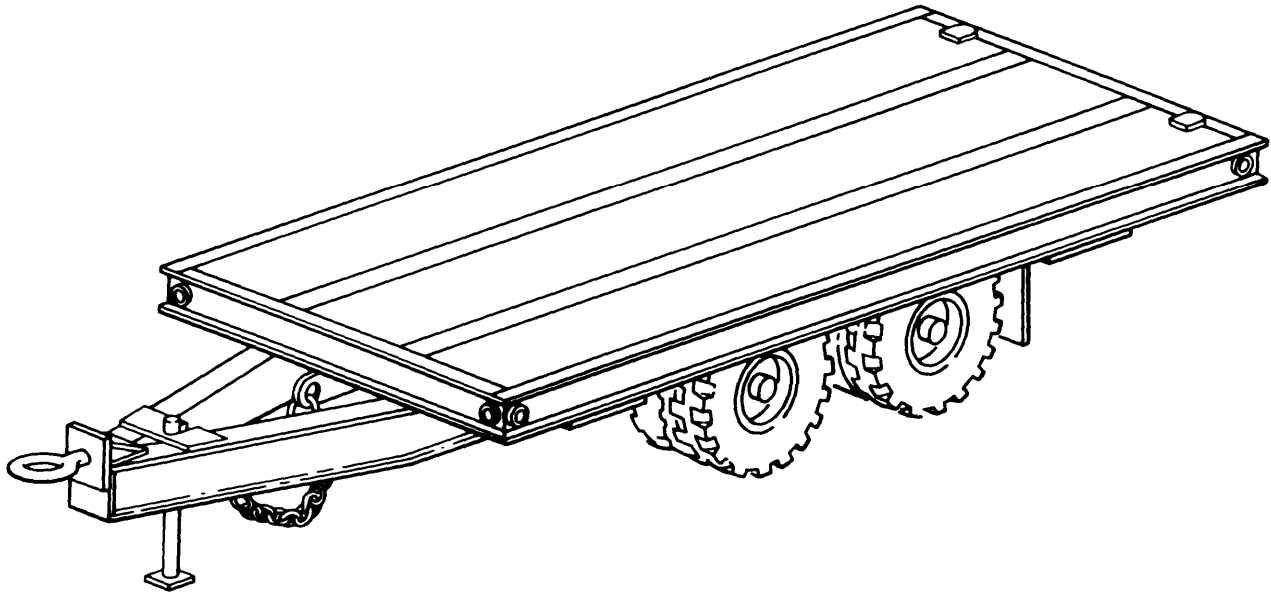
SHIPPING DATA

Weight: 11,260 lb

Cube:

Ground Clearance:

Lunette Height: 29 in



TA208825

PURPOSE: Provide added mobility for light construction equipment.

GENERAL INFORMATION

Nomenclature: TRAILER, FLAT
BED: 15 Ton

Model Number: HP15T

NSN: 2330-01-060-8141

LIN: T96975

SSN: M021

TM: 5-2330-381-14&P

EQUIPMENT DATA

Type Classification & Date: Std A, 1978

Replaces/Replaced By: New

Life Expectancy: 15 Years

Payload: 15 Ton

Production Year: 1978

Air Transportability:

SHIPPING DATA

Weight: 8,000 lb

Cube: 570 cu ft

Ground Clearance: 12 in

CONTRACT NUMBER

DAAE07-77-C-0725

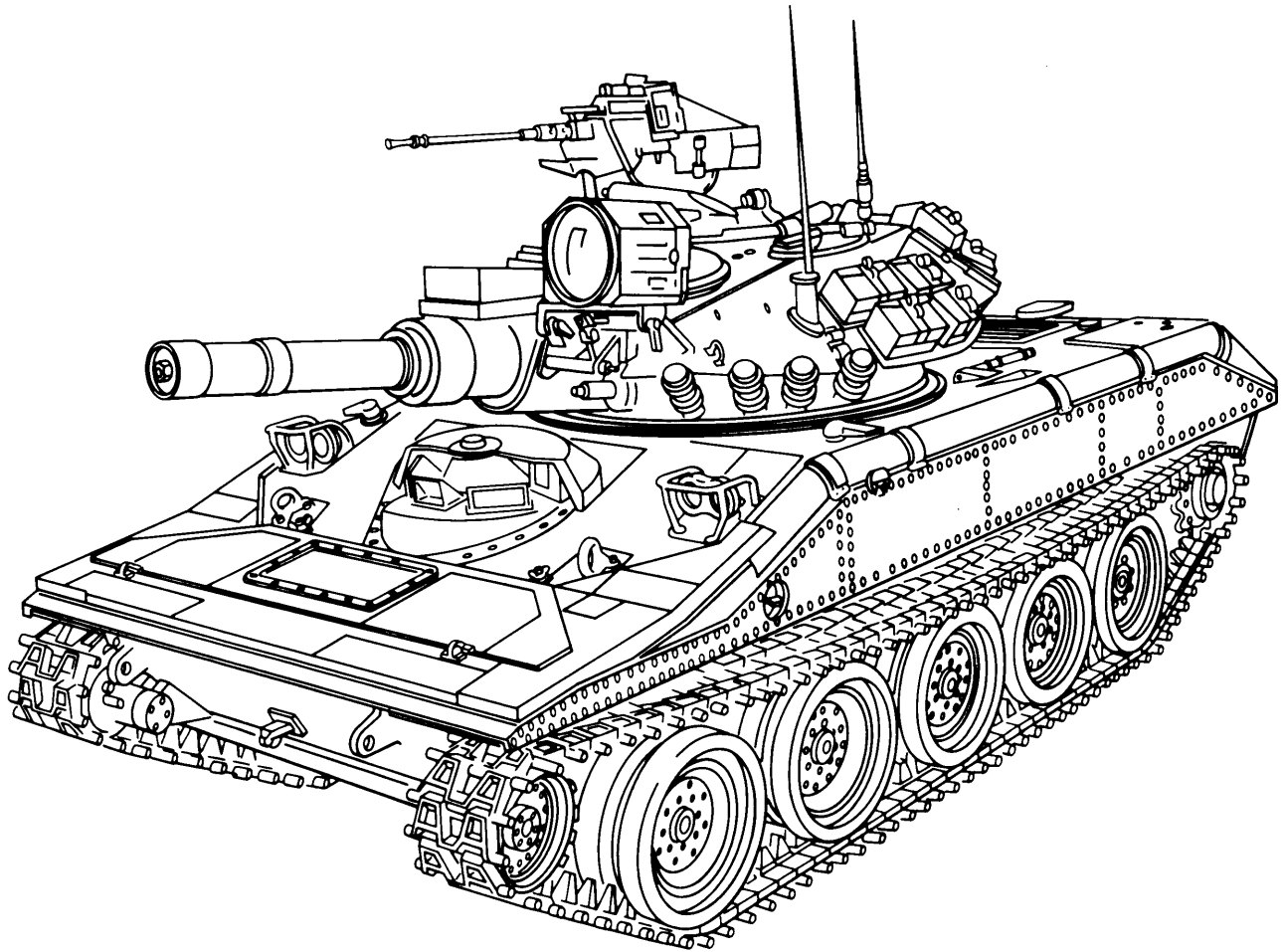
Chapter 8

COMBAT CARRIERS, TANKS, SELF-PROPELLED WEAPONS (CLASS 2350)

Type	Model	Page
ARMORED RECONNAISSANCE AIRBORNE ASSAULT VEHICLE: 152 MM Gun	M551	8-5
ARMORED RECONNAISSANCE AIRBORNE ASSAULT VEHICLE: Full Tracked, 152 MM Gun	M551A1	8-7
CARRIER, CARGO, AMPHIBIOUS: Tracked	M116A1	8-9
CARRIER, CARGO, FULL TRACKED: 6 Ton	M548A1	8-11
CARRIER, CARGO, TRACKED: 1 1/2 Ton, Small Unit Support Vehicle (SUSV)	M973	8-13
CARRIER, COMMAND POST: Light Tracked, W/E	M577A1	8-15
CARRIER, COMMAND POST: Light Tracked, W/E	M577A2	8-17
CARRIER, 81 MM MORTAR: Full Tracked, W/E	M125A1	8-19
CARRIER, 81 MM MORTAR: Full Tracked	M125A2	8-21
CARRIER, 107 MM MORTAR: Full Tracked, W/E	M106A1	8-23
CARRIER, 107 MM MORTAR: Full Tracked, W/E	M106A2	8-25
CARRIER, PERSONNEL, FULL TRACKED: Armored, W/E	M113A1	8-27
CARRIER, PERSONNEL, FULL TRACKED: Armored, W/E	M113A2	8-29
CARRIER, PERSONNEL, FULL TRACKED: Armored, Fire Support	XM981	8-31
COMBAT ENGINEER VEHICLE, FULL TRACKED: W/E	M728	8-33
COMBAT VEHICLE, ANTITANK, IMPROVED TOW:	M901/M901A1	8-35
FIGHTING VEHICLE, CALVARY: Full Tracked	M3	8-37
FIGHTING VEHICLE, INFANTRY: Full Tracked	M2	8-39
GUN, AIR DEFENSE ARTILLERY, SELF-PROPELLED: 20 MM	M163	8-41
GUN, AIR DEFENSE ARTILLERY, SELF-PROPELLED: 20 MM	M163A1	8-43
GUN, FIELD ARTILLERY, SELF-PROPELLED: Howitzer, 8-inch	M107	8-45
HOWITZER, MEDIUM, SELF-PROPELLED: 155 MM Gun, Short Tube	M109	8-47
HOWITZER, MEDIUM, SELF-PROPELLED: 155 MM Gun	M109A1	8-49
HOWITZER, MEDIUM, SELF-PROPELLED: 155 MM Gun, Long Tube	M109A2/A3	8-51
HOWITZER, HEAVY, SELF-PROPELLED: Full Tracked, 8-inch	M110A2	8-53
RECOVERY VEHICLE, FULL TRACKED: Light, Armored	M578	8-55
RECOVERY VEHICLE, FULL TRACKED: Medium	M88A1	8-57
TANK, COMBAT, FULL TRACKED: 105 MM Gun	M1	8-59
TANK, COMBAT, FULL TRACKED: 105 MM Gun	M48A5	8-61
TANK, COMBAT, FULL TRACKED: 105 MM Gun	M48A5	8-63
TANK, COMBAT, FULL TRACKED: 105 MM Gun	M60	8-65
TANK, COMBAT, FULL TRACKED: 105 MM Gun	M60A1	8-67
TANK, COMBAT, FULL TRACKED: 105 MM Gun	M60A1 A0S	8-69
TANK, COMBAT, FULL TRACKED: 105 MM Gun, Rise Passive	M60A1 R/PE	8-71
TANK, COMBAT, FULL TRACKED: 105 MM Gun	M60A1 RISE	8-73
TANK, COMBAT, FULL TRACKED: 105 MM Gun, W/Tank Thermal Sight	M60A3 TTS	8-75

**COMBAT CARRIERS, TANKS, SELF-PROPELLED WEAPONS (CLASS 2350) -
Continued**

Type	Model	Page
TANK, COMBAT, FULL TRACKED: 105 MM Gun	M60A3	8-77
TRACTOR, FULL TRACKED; HIGH SPEED: Armored Combat Earthmover (ACE)	M9	8-79
ROUGH TERRAIN VEHICLE		
MOTORCYCLE: GED, 2 Wheel, Rough Terrain		8-81/(8-82 blank)



TA208781

PURPOSE:**GENERAL INFORMATION**

Nomenclature: ARMORED RECON-
NAISSANCE AIRBORNE ASSAULT
VEHICLE: 152 MM Gun

Model Number: M551

NSN: 2350-00-873-5408

LIN: A93125

SSN: G81900

TM: 9-2350-230-Series

CHARACTERISTICS

Engine: Detroit Diesel, 6V-53T

Type: Diesel, liquid cooled, V-6

Horsepower: 300 bhp @ 2,800 rpm

Transmission: Allison, XTG-250-I A

Type: Automatic W/torque converter

Ranges: Fwd 4, Rev 2

Electrical System: 24 Volt

Brakes: Wet plate, multiple disc

PERFORMANCE DATA

Fording Depth: Amphibious

Approach Angle:

Maximum Grade Ability: 60 Percent

Maximum Vertical Obstacle: 33 in

Maximum Width of Ditch: 84 in

Allowable Speed: 43 mph

Cruising Range: 373 miles

Ground Pressure:

VEHICLE DATA

Type Classification & Date: Std A, 1966

Life Expectancy:

Payload: 36,000 lb (Combat loaded)

Air Transportability: Air droppable

EQUIPMENT OPTIONS

Armament: 152-mm Gun, 7.62-mm MG,
Cal .50 MG

Ammunition: Heat-T-MP, WP Shillelagh
Missile, Capacity-20 rds-8 missiles

Communications: AN/VRC-12, AN/VRC-
64, AM 1780/VRC (Intercom)

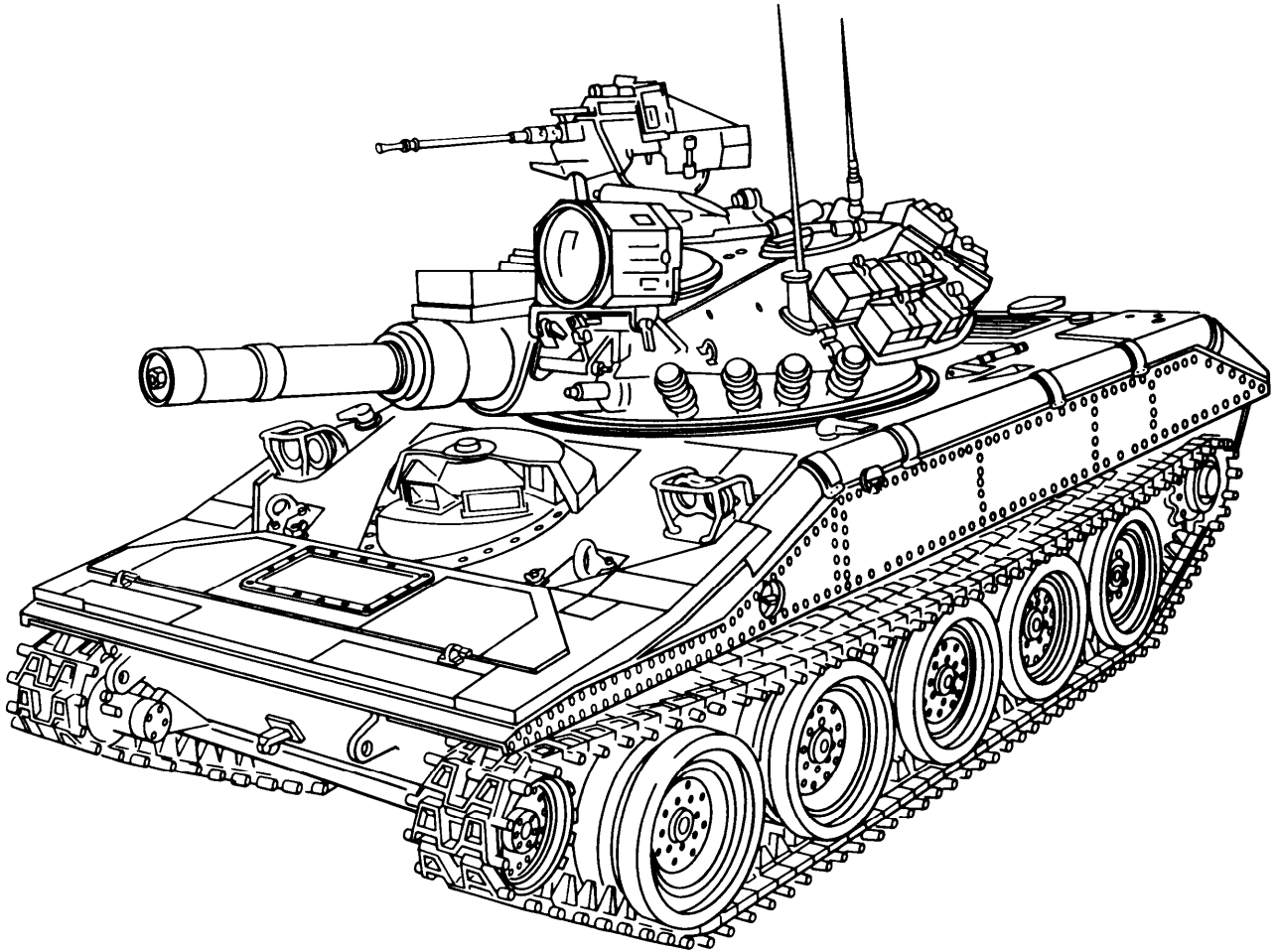
Sighting & Fire Control: Azimuth
Indicator, Elevation Quadrant, Peri-
scopes W/Mounts, Telescopes W/Mounts,
Missile Subsystem Units, Laser
Rangefinder

SHIPPING DATA

Weight: 28,525 lb

Cube: 1831 cu ft

Ground Clearance: 19 in



PURPOSE:**GENERAL INFORMATION**

Nomenclature: ARMORED RECON-
NAISSANCE AIRBORNE ASSAULT
VEHICLE: Full Tracked, 152 MM Gun

Model Number: M551A1

NSN: 2350-00-140-5151

LIN: A93125

SSN: G81900

TM: 9-2350-230-Series

CHARACTERISTICS

Engine: GM Diesel, 6V-53T

Type: Diesel, liquid cooled, V-6

Horsepower: 300 bhp @ 2,800 rpm

Transmission: Allison, XTG-250-IA

Type: Automatic W/torque converter

Ranges: Fwd 4, Rev 2

Electrical System: 24 Volt

Brakes: Mechanical, wet plate

PERFORMANCE DATA

Fording Depth: Amphibious

Approach Angle:

Maximum Grade Ability: 60 percent

Maximum Vertical Obstacle: 33 in

Maximum Width of Ditch: 84 in

Allowable Speed: 43 mph

Cruising Range: 373 miles

Ground Pressure:

VEHICLE DATA

Type Classification & Date: Std A, 1974

Life Expectancy:

Payload: 36,000 lb (Combat loaded)

Air Transportability: Air droppable

EQUIPMENT OPTIONS

Armament: 152-mm Cannon, 7.62-mm MG,
Cal .50 MG

Ammunition: Heat-T-MP, WP Shillelagh
Missile; Capacity-20 rds-8 missiles

Communications: AN/VRC-12, AN/VRC-
64, AM 1780/VRC (Intercom)

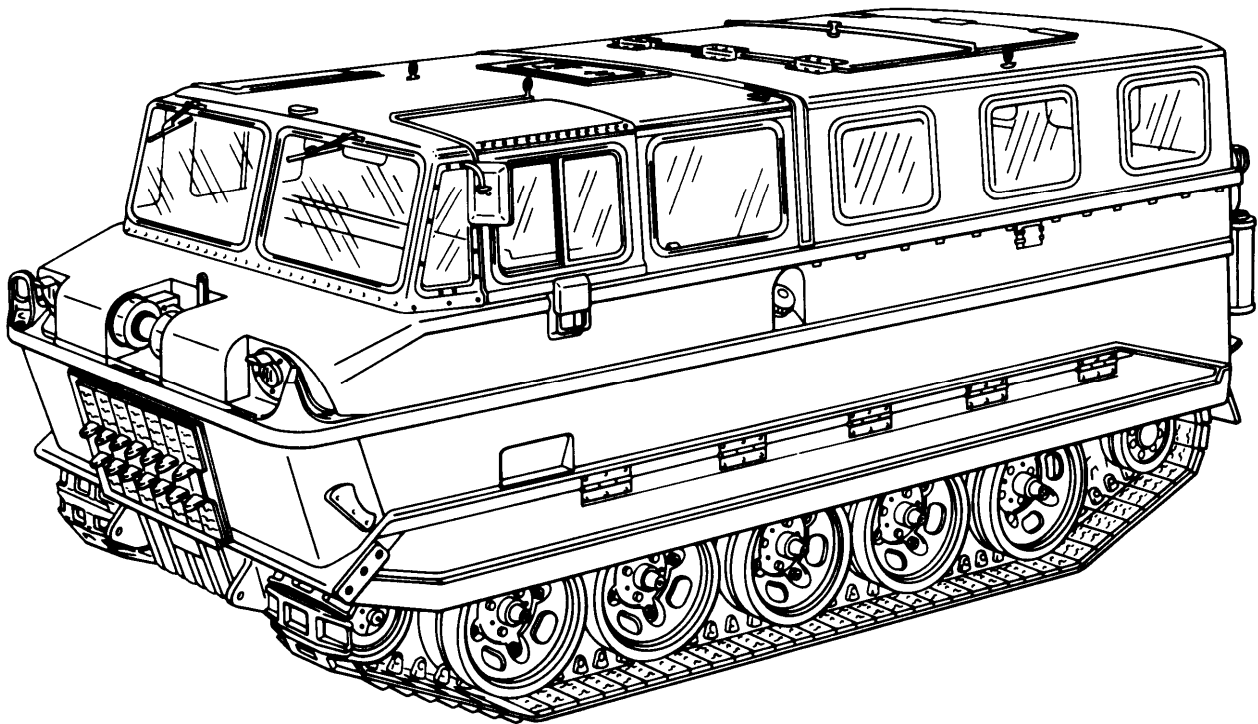
Sighting & Fire Control: Laser Range-
finder, AN/VVG-1, Periscopes W/Mounts,
Telescopes W/Mounts, Azimuth
Indicator, Elevation Quadrant, Night
Vision Sights

SHIPPING DATA

Weight: 28,525 lb

Cube: 1,831 cu ft

Ground Clearance: 19 in



PURPOSE: Cargo carrier.

GENERAL INFORMATION

Nomenclature: CARRIER, CARGO
AMPHIBIOUS: Tracked

Model Number: M1 16A1

NSN: 2350-00-411-2057

LIN: D10990

SSN: G80800

TM: 9-2320-223 Series

CHARACTERISTICS

Engine: Chevrolet

Type: Valve-in-head, V-8

Horsepower: 160

Transmission: GM 305MC

Type: Automatic

Ranges: Fwd 4, Rev 1

Electrical System: 24 Volt

Brakes: Mechanical, Wet, Multiple Disc

PERFORMANCE DATA

Fording Depth: Unlimited

Approach Angle: 30 Degrees

Maximum Grade Ability: 60 percent

Maximum Vertical Obstacle: 18 in

Maximum Width of Ditch: 60 in

Allowable Speed: Land-35 mph/Water-4 mph

Cruising Range: Land-220-260 miles
Water-22 mi

Ground Pressure: 2.5 psi

VEHICLE DATA

Type Classification & Date: Std A, 1976

Life Expectancy: CY85

Payload: 3,000 lb

Air Transportability: Air droppable

EQUIPMENT OPTIONS

Armament: M14 Rifle

Ammunition: Cal 7.62 mm round ball

Communications: Radio sets, Intercom sets

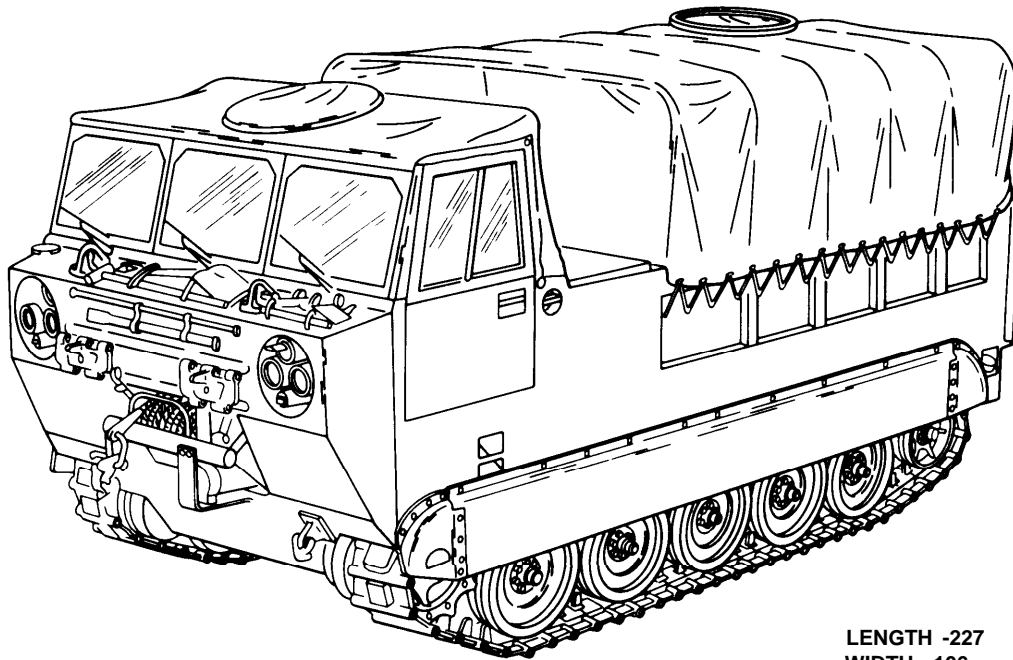
Sighting & Fire Control:

SHIPPING DATA

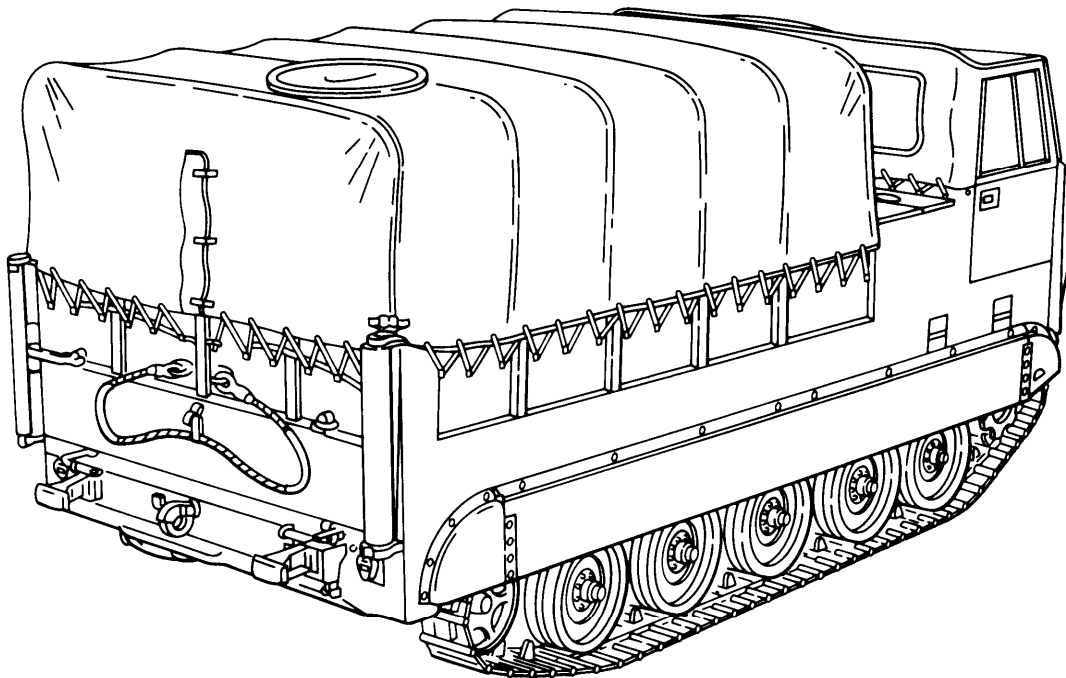
Weight: 10,300 lb

Cube: 722 cu ft

Ground Clearance: 14 1/2 in



LENGTH -227
WIDTH -106
(OVERALL)
HEIGHT -107



NOTE:
ALL DIMENSIONS ARE IN INCHES.

PURPOSE:**GENERAL INFORMATION**

Nomenclature: CARRIER, CARGO
FULL TRACKED: 6 Ton

Model Number: M548A1

NSN: 2350-01-096-9356

LIN: D11049

SSN: G8020

TM: 9-2350-247-Series

CHARACTERISTICS

Engine: GM Diesel, 5063-5299

Type: Diesel, liquid cooled, 6V53

Horsepower: 212 bhp @ 2,800 rpm

Transmission: Allison, TX100-1

Type: Automatic, Straight-through

Ranges: Fwd 3, Rev 1

Electrical System: 24 Volt, 100 Amp
Alternator

Brakes: Mechanical, hydraulic

PERFORMANCE DATA

Fording Depth: Amphibious (Limited to a
depth of 40 in)

Approach Angle: 57 Degrees

Maximum Grade Ability: 60 Percent

Maximum Vertical Obstacle: 24 in

Maximum Width of Ditch: 66 in

Allowable Speed: 38 mph

Cruising Range: 300 miles

Ground Pressure: 8.62 psi (Loaded)

VEHICLE DATA

Type Classification & Date: Std A, 1980

Life Expectancy:

Payload: 12,000 lb

Air Transportability: Military aircraft, C130

EQUIPMENT OPTIONS

Armament: Cal .50 MG or 7.62-mm MG

Ammunition: Cal .50, 300 rounds or 7.62 mm,
660 rounds

Communications: Authorized radio sets

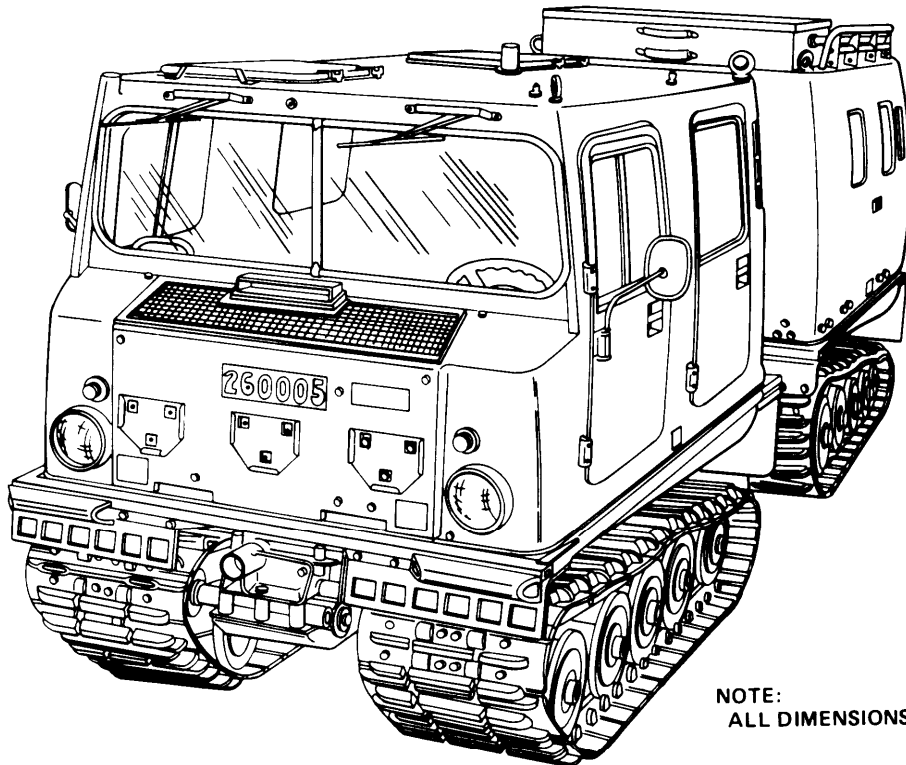
Sighting & Fire Control:

SHIPPING DATA

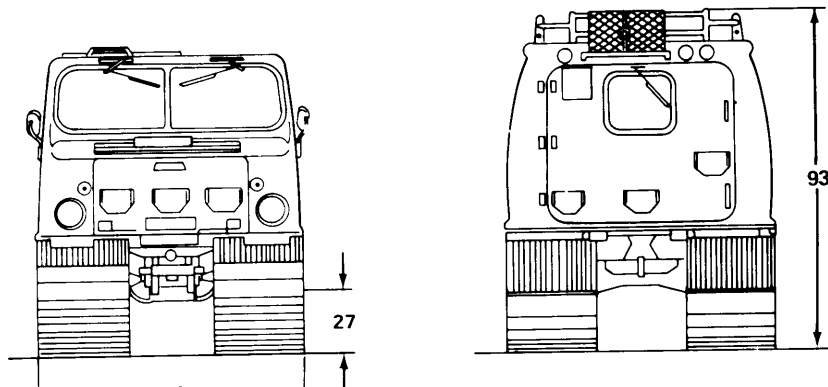
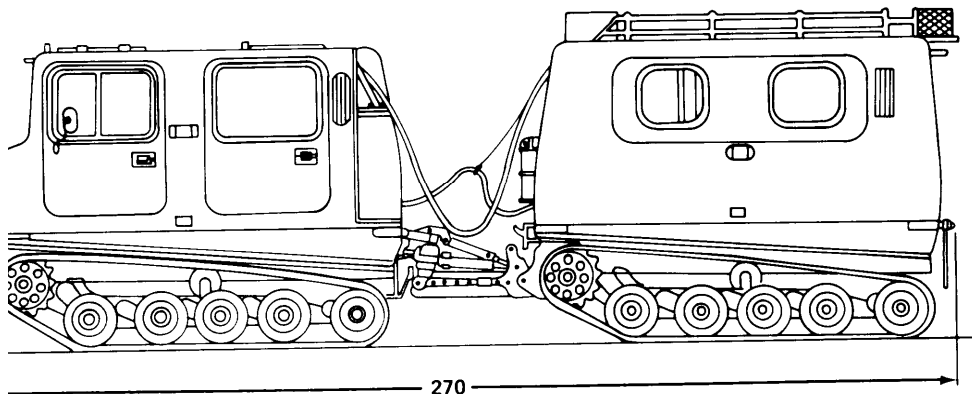
Weight: 28,290 lb (W/All Kits)

Cube: 1,126.7 cu ft

Ground Clearance: 17 in



NOTE:
ALL DIMENSIONS ARE IN INCHES.



TA209170

PURPOSE: Provide Infantry Platoon combat support in arctic, harsh terrain and mountainous regions (northern regions of Alaska/Europe).

GENERAL INFORMATION

Nomenclature: CARRIER, CARGO,
TRACKED: 1 1/2-Ton, Small Unit Support
Vehicle (SUSV)

Model Number: M973

NSN: 2350-01-132-9099

LIN: C11280

SSN: D19001

TM: Commercial

VEHICLE DATA

Type Classification & Date: M973, 5 Nov, 1982

Life Expectancy: 15 Years

Payload: 4,400 lb (2,000 kg)

Air Transportability: Helicopter Delivery,
Military Aircraft, C130

CHARACTERISTICS

Engine: Daimler Benz-Model OM617A

Type: Four stroke, 5 cyl Diesel

Horsepower: 125 bhp @ 4,350 rpm

Transmission: Daimler Benz Model W4A

Type: Automatic Daimler Benz W4A-018

Ranges: Fwd 4, Rev 1

Electrical System: 24 Volt

Brakes: Disc, All four tracks

PERFORMANCE DATA

Fording Depth: Floats

Approach Angle: 34 Degrees

Maximum Grade Ability: 31 Degrees

Maximum Vertical Obstacle: 12 in Minimum

Maximum Side Slope: 35 Degrees

Allowable Speed: 31 mph

Cruising Range: 200 miles

Ground Pressure: 1.8 psi

EQUIPMENT OPTIONS

Armament: None

Ammunition: None

Communications: AN/VRC-46, -47, -48, -49
AN/GRC-160

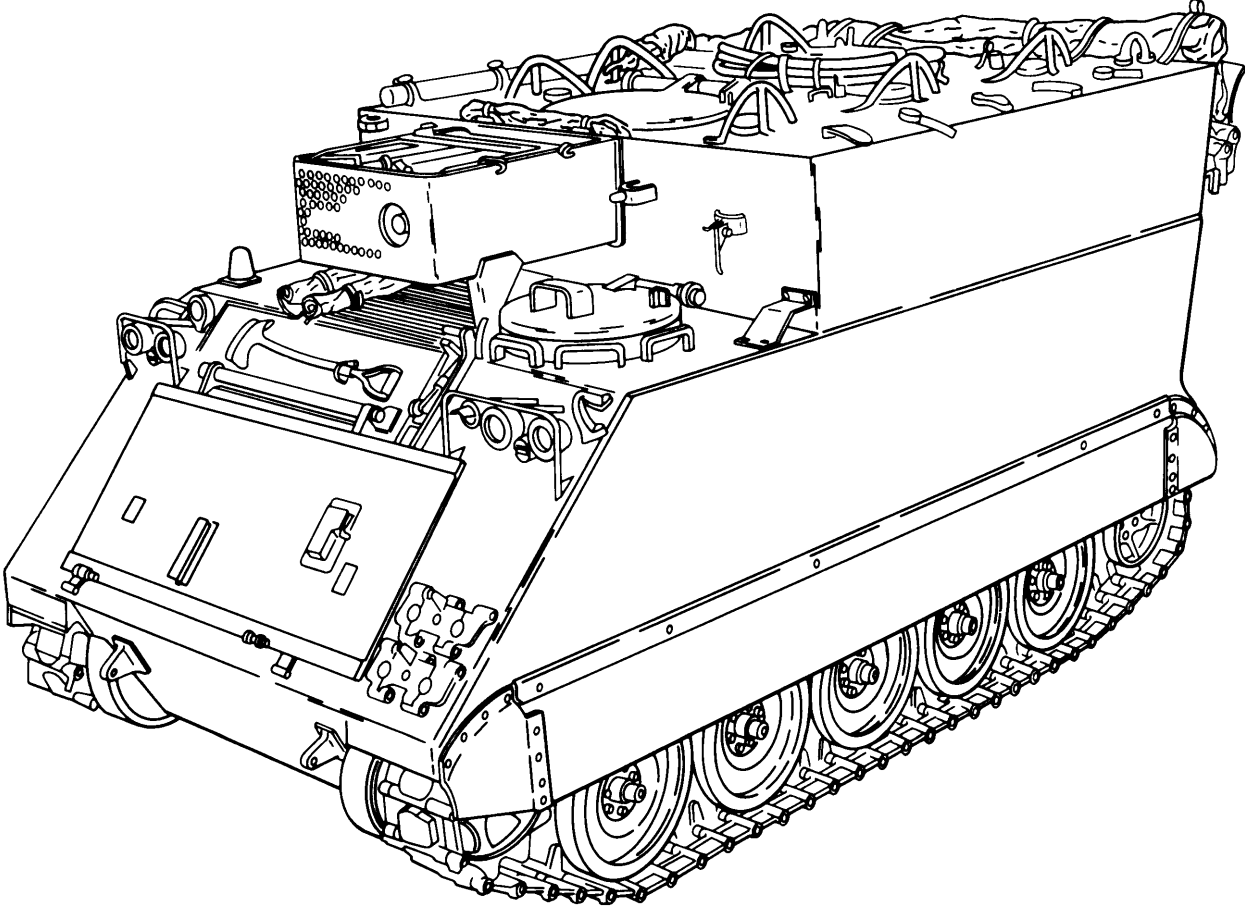
Sighting & Fire Control:

SHIPPING DATA

Weight: 9,200 lb (4,200 kg)

Cube: 1,080 cu ft

Ground Clearance: 13.8 in (loaded)



PURPOSE:**GENERAL INFORMATION**

Nomenclature: CARRIER, COMMAND
POST: Light Tracked, W/E

Model Number: M577A1

NSN: 2350-01-056-6808

LIN: D11538

SSN: G80300

TM: 9-2300-257-Series

CHARACTERISTICS

Engine: GM Diesel, **5063-5290**

Type: Diesel, two cycle, 6V53

Horsepower: 212 bhp @ 2,800 rpm

Transmission: Allison, TX100-1

Type: Single stage

Ranges: Fwd 3, Rev 1

Electrical System: 24 Volt, 100 Amp Alternator,
150 Amp AUX Generator Set

Brakes: Mechanical, hydraulic

PERFORMANCE DATA

Fording Depth: Amphibious

Approach Angle: 70 Degrees

Maximum Grade Ability: 60 percent

Maximum Vertical Obstacle: 24 in

Maximum Width of Ditch: 66 in

Allowable Speed: 42 mph

Cruising Range: 270 **miles**

Ground Pressure: 8.1 psi

VEHICLE DATA

Type Classification & Date: Std B, 1979

Life Expectancy:

Payload: 5 Crew

Air Transportability: Military aircraft, C130

EQUIPMENT OPTIONS

Armament: None

Ammunition: None

Communications: Radio Sets, Intercom Set

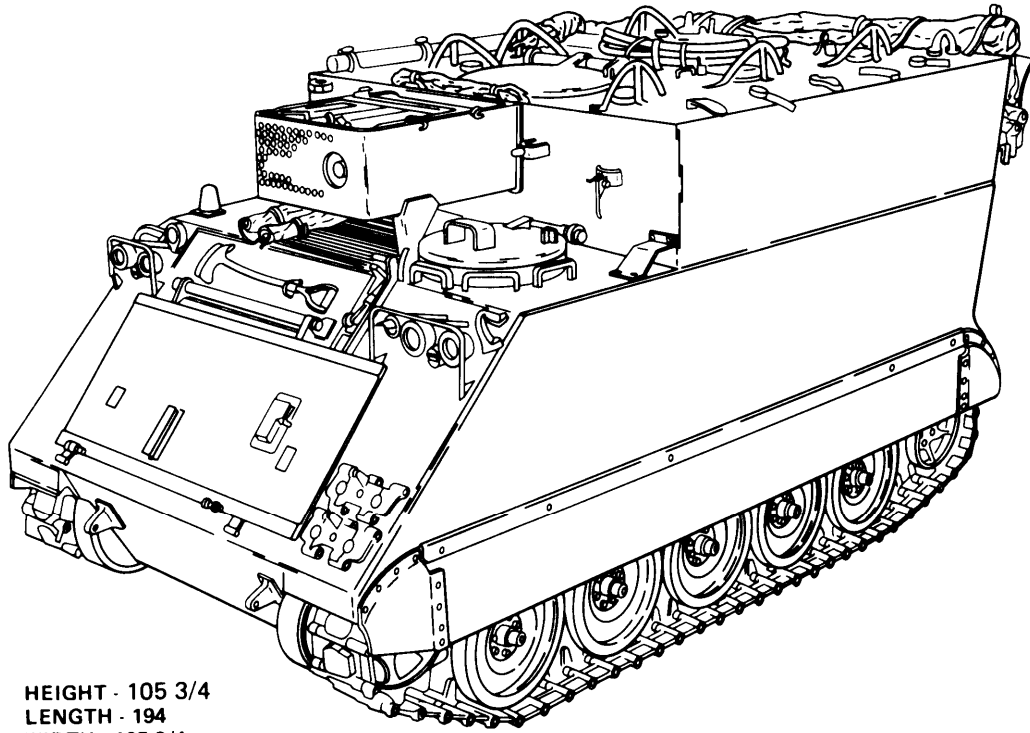
Sighting & Fire Control: M17 and M19 Periscope
W/Mounts

SHIPPING DATA

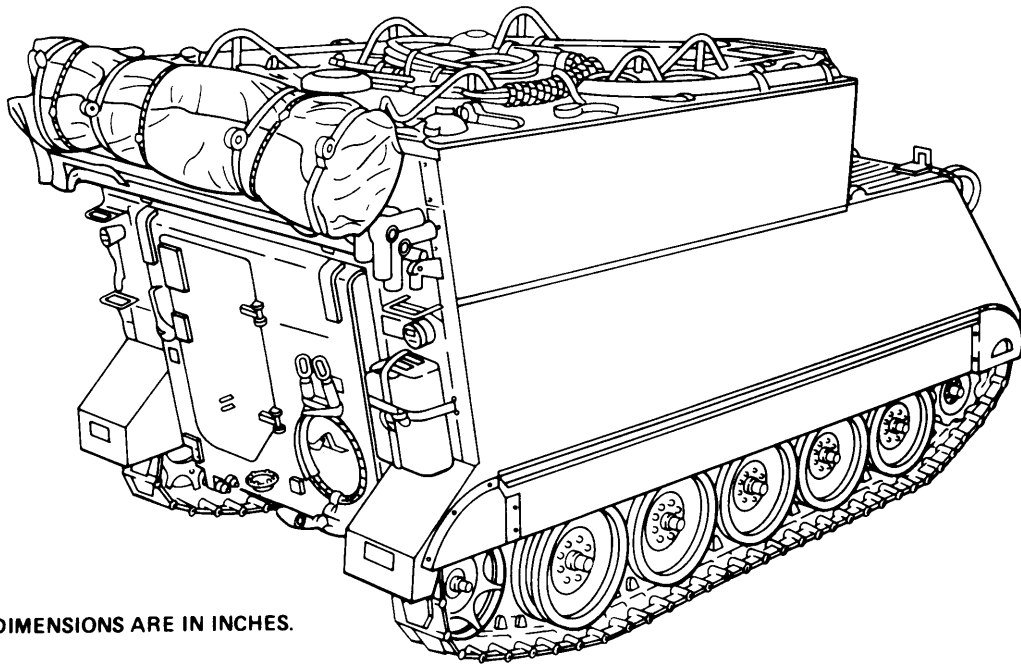
Weight: 23,950 lb

Cube: 1,254 cu ft

Ground Clearance: 16 in



HEIGHT - 105 3/4
LENGTH - 194
WIDTH - 105 3/4



NOTE:
ALL DIMENSIONS ARE IN INCHES.

TA209210

PURPOSE: This vehicle is employed by various combat units to provide mobile, light armored protection for operational staff offices and command post communications equipment.

GENERAL INFORMATION

Nomenclature: CARRIER, COMMAND
POST: Light Tracked, W/E

Model Number: M577A2

NSN: 2350-01-068-4089

LIN: D11538

SSN: G80300

TM: 9-2350-261-10

VEHICLE DATA

Type Classification & Date: Std A, 1979

Life Expectancy:

Payload: 5 Crew

Air Transportability: Military aircraft, C130

CHARACTERISTICS

Engine: GM Diesel, 5063-5299

Type: Diesel, two-cycle, liquid cooled,
6V53

Horsepower: 212 bhp @ 2,800 rpm

Transmission: Allison, TX100-1

Type: Single stage

Ranges: Fwd 3, Rev 1

Electrical System: 24 Volt, 100 Amp Alternator,
150 Amp AUX Generator Set

Brakes: Mechanical, hydraulic

EQUIPMENT OPTIONS

Armament: None

Ammunition: 720 rounds, Rifle 7.62 mm

Communications: Radio sets, Intercom sets

Sighting & Fire Control: M17 and M19
Periscopes W/Mounts

PERFORMANCE DATA

Fording Depth: Amphibious

Approach Angle: 70 Degrees

Maximum Grade Ability: 60 percent

Maximum Vertical Obstacle: 24 in

Maximum Width of Ditch: 66 in

Allowable Speed: 42 mph

Cruising Range: 295 miles

Ground Pressure: 8.22 psi

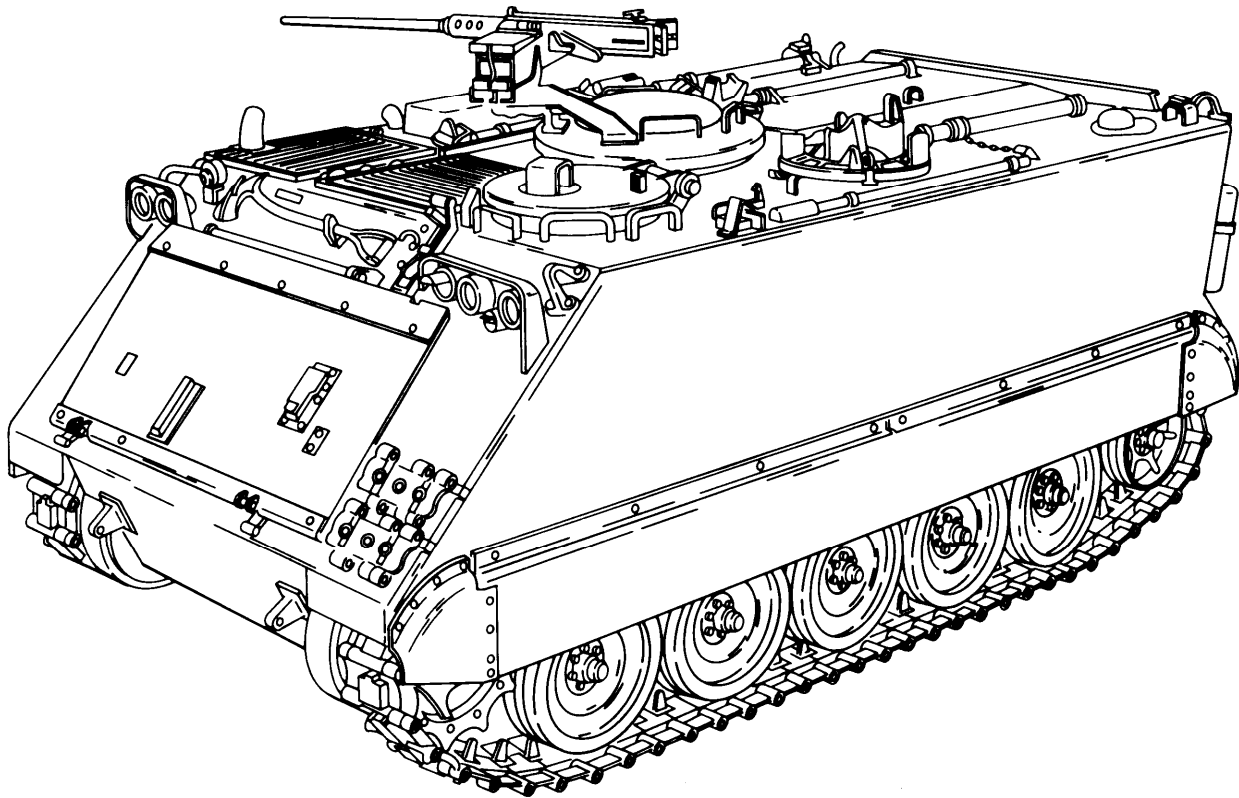
SHIPPING DATA

Weight Combat: 25,813 lb

Weight Net: 24,142 lb

Cube: 1,254 cu ft

Ground Clearance: 17 in



TA206768

PURPOSE:**GENERAL INFORMATION**

Nomenclature: CARRIER, 81 MM Mortar:
Full Tracked, W/E

Model Number: M125A1

NSN: 2350-00-071-0732

LIN: D10726

SSN: G80500

TM: 9-2300-257-Series

CHARACTERISTICS

Engine: GM **Diesel, 5063-5299**

Type: Diesel, two cycle, liquid
cooled, 6V53

Horsepower: 212 bhp @ 2,800 rpm

Transmission: Allison, TX100-1

Type: Single stage

Ranges: Fwd 4, Rev 1

Electrical System: 24 Volt, 100 Amp
Alternator

Brakes: Mechanical, hydraulic

PERFORMANCE DATA

Fording Depth: Amphibious

Approach Angle:

Maximum Grade Ability: 60 Percent

Maximum Vertical Obstacle: 24 in

Maximum Width of Ditch: 66 in

Allowable Speed: 42 mph

Cruising Range: 300 miles

Ground Pressure: 7.9 psi

VEHICLE DATA

Type Classification & Date: Std B, 1979

Life Expectancy:

Payload: 14,500 lb (Towed load)

Air Transportability: Military Aircraft, C130

EQUIPMENT OPTIONS

'Armament: 81 mm Mortar, Cal .50 MG

Ammunition: 81 mm Mortar, 114 rounds
Cal .50, 600 rounds

Communications: Radio sets, Intercom sets

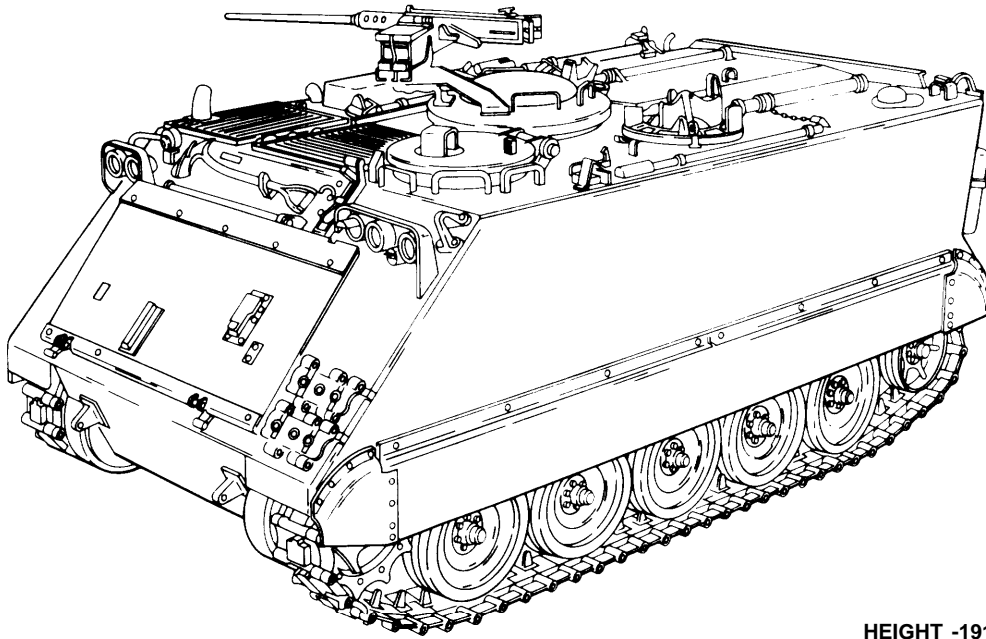
Sighting & Fire Control: M17 and M19
Periscopes W/Mounts

SHIPPING DATA

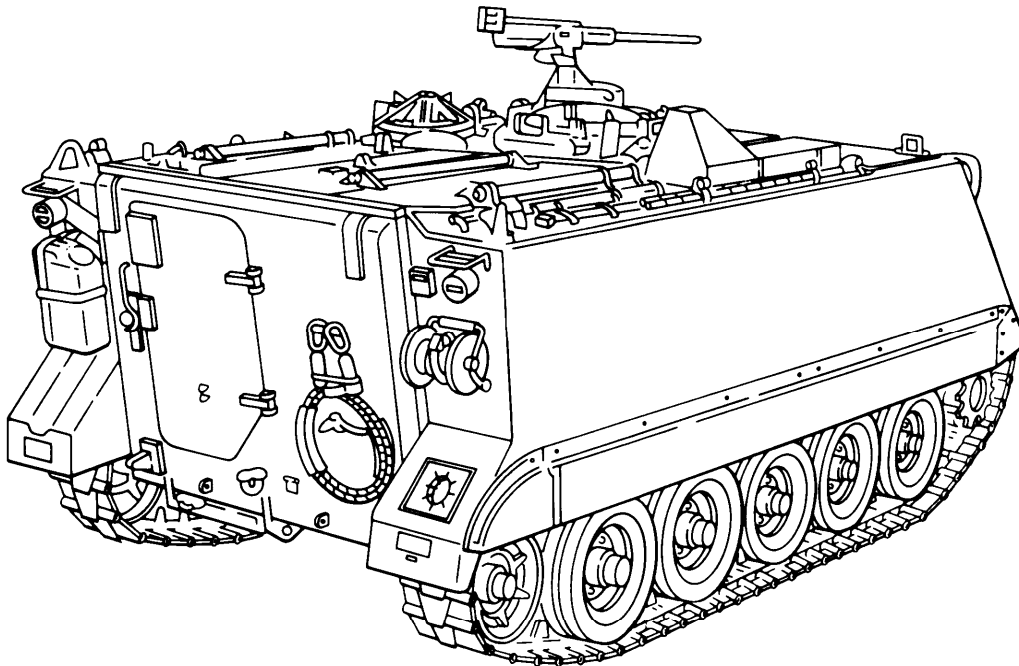
Weight: 23,243 lb

Cube: 1,018 cu ft

Ground Clearance: 16 in



HEIGHT -191
LENGTH -205 3/4
WIDTH -104 3/4



NOTE:
ALL DIMENSIONS ARE IN INCHES.

TA209211

PURPOSE: Designed to transport and support 81 MM Mortar Cannon during tactical operations. It is air transportable and air droppable. Mortar can be dismantled for ground firing from the 81 MM mortar mount with base plate. The M125A2 accommodates a crew of six-driver, commander, squad leader, and three mortarmen.

GENERAL INFORMATION

Nomenclature: CARRIER, 81 MM MORTAR:
Full Tracked

Model Number: M125A2

NSN: 2350-01-068-4087

LIN: D10726

SSN: G80500

TM: 9-2350-261-10

VEHICLE DATA

Type Classification & Date: Std A, 1979

Life Expectancy:

Payload: 5 Troops plus driver

Air Transportability: Military Aircraft, C130

CHARACTERISTICS

Engine: GM Diesel, 5063-5299

Type: Diesel, two cycle, liquid cooled,
6V53

Horsepower: 212 bhp @ 2,800 rpm

Transmission: Allison, TX100-1

Type: Single stage

Ranges: Fwd 3, Rev 1

Electrical System: 24 Volt, 100 Amp Alternator

Brakes: Mechanical, hydraulic

PERFORMANCE DATA

Fording Depth: Amphibious

Approach Angle: 70 Degrees

Maximum Grade Ability: 60 percent

Maximum Vertical Obstacle: 24 in

Maximum Width of Ditch: 66 in

Allowable Speed: 42 mph

Cruising Range: 295 miles

Ground Pressure: 8.0 psi

EQUIPMENT OPTIONS

Armament: 81 mm Mortar, Cal .50 MG

Ammunition: 81 mm Mortar, 114 rounds,
Cal .50, 600 rounds

Communications: Radio sets, intercom sets

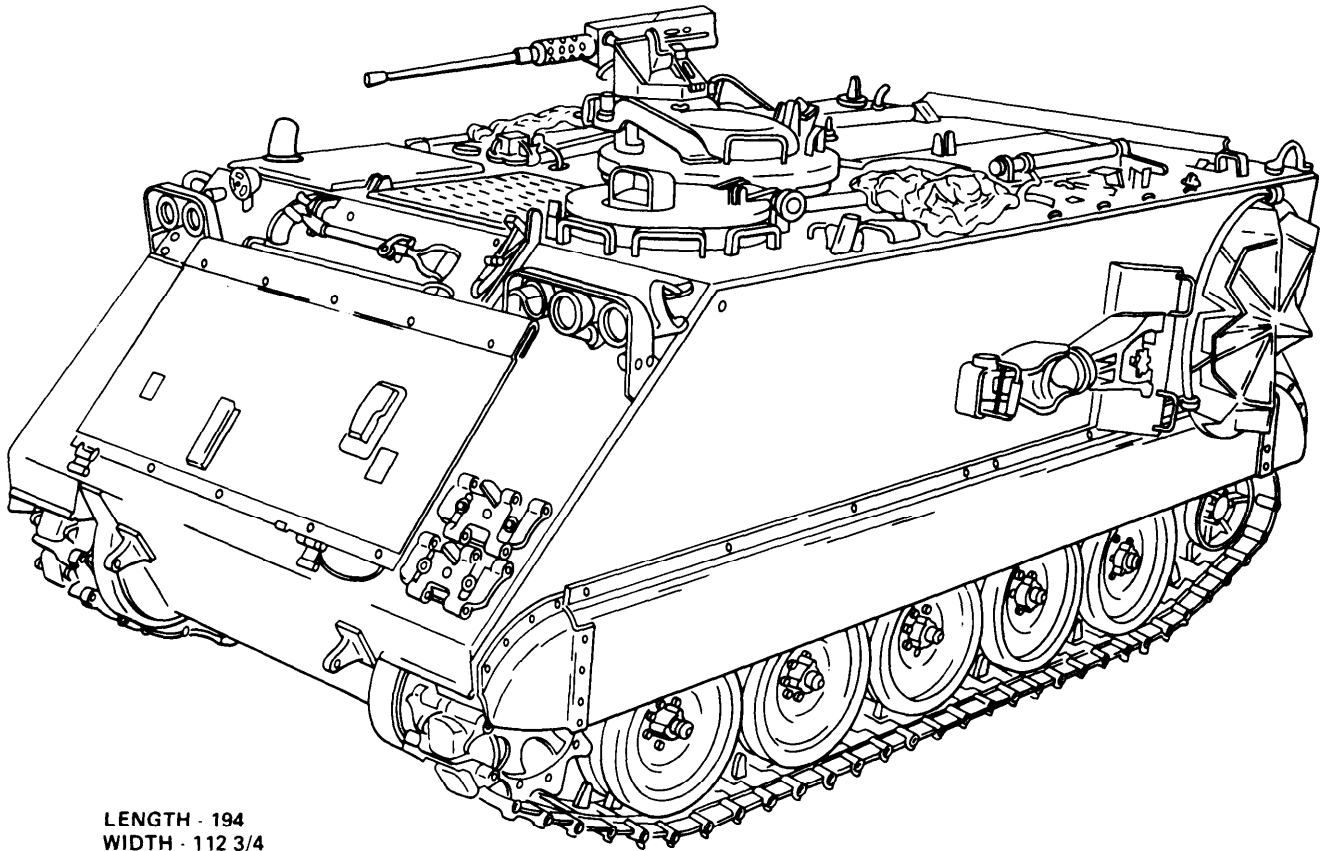
Sighting & Fire Control: M17 and M19 Periscopes
W/Mounts

SHIPPING DATA

Weight: 23,424 lb

Cube: 1,018 cu ft

Ground Clearance: 17 in



LENGTH - 194
WIDTH - 112 3/4
(WIDEST OVERALL)

NOTE:
ALL DIMENSIONS ARE IN INCHES.

TA208777

PURPOSE:**GENERAL INFORMATION**

Nomenclature: CARRIER, 107 MM Mortar:
Full Tracked, W/E

Model Number: M106A1

NSN: 2350-00-076-9002

LIN: D10741

SSN: G80600

TM: 9-2300-257-Series

CHARACTERISTICS

Engine: GM Diesel, 5063-5299

Type: Diesel, two cycle, liquid
cooled, 6V53

Horsepower: 212 bhp @ 2,800 rpm

Transmission: Allison, TX100-1

Type: Single stage

Ranges: Fwd 3, Rev 1

Electrical System: 24 Volt, 100 Amp
Alternator

Brakes: Mechanical, hydraulic

PERFORMANCE DATA

Fording Depth: Amphibious

Approach Angle: 70 Degrees

Maximum Grade Ability: 60 percent

Maximum Vertical Obstacle: 24 in

Maximum Width of Ditch: 66 in

Allowable Speed: 42 mph

Cruising Range: 295 miles

Ground Pressure: 8.3 psi

VEHICLE DATA

Type Classification & Date: Std B, 1979

Life Expectancy:

Payload: 5 Troops plus driver ,

Air Transportability: Military Aircraft, C130

EQUIPMENT OPTIONS

Armament: 4.2 in. Mortar,
Cal .50 MG

Ammunition: 107 mm Mortar, 88 rounds
Cal .50, 600 rounds

Communications: Radio sets,
Intercom sets

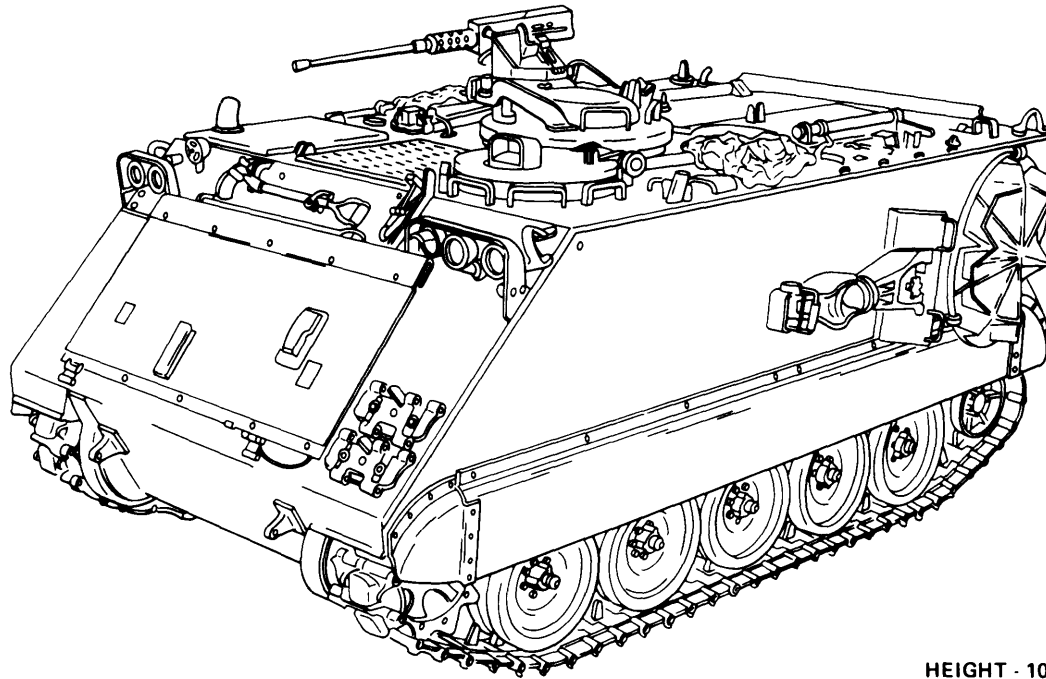
Sighting & Fire Control: M17 and M19
Periscopes W/Mounts

SHIPPING DATA

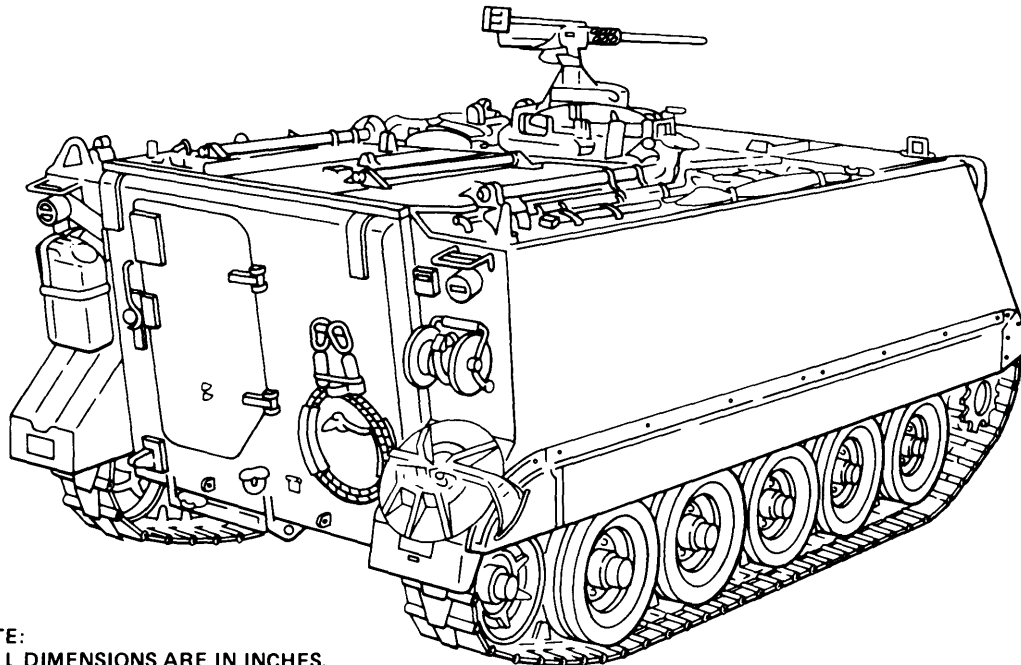
Weight: 24,446 lb

Cube: 1,018 cu ft

Ground Clearance: 16 in



HEIGHT - 104 3/4
LENGTH - 194
WIDTH - 105 3/4



NOTE:
ALL DIMENSIONS ARE IN INCHES.

TA209212

PURPOSE: This vehicle is employed primarily by combat units as a mobile firing platform for the 107 mm Mortar.

GENERAL INFORMATION

Nomenclature: CARRIER, 107 MM Mortar:
Full Tracked, W/E

Model Number: M106A2

NSN: 2350-01-069-6931

LIN: D10741

SSN: G80600

TM: 9-2300-257-Series
9-2350-261 -Series

CHARACTERISTICS

Engine: GM Diesel, 5063-5299

Type: Diesel, two cycle, liquid
cooled, 6V53

Horsepower: 212 bhp @ 2,800 rpm

Transmission: Allison, TX100-1

Type: Single stage

Ranges: Fwd 3, Rev 1

Electrical System: 24 Volt, 100 Amp Alternator

Brakes: Mechanical, hydraulic

PERFORMANCE DATA

Fording Depth: Amphibious

Approach Angle: 70 Degrees

Maximum Grade Ability: 60 Percent

Maximum Vertical Obstacle: 24 in

Maximum Width of Ditch: 66 in

Allowable Speed: 42 mph

Cruising Range: 295 miles

Ground Pressure: 8.57 psi

VEHICLE DATA

Type Classification & Date: Std A, 1979

Life Expectancy:

Payload: 5 Troops plus driver

Air Transportability: Military Aircraft, C130

EQUIPMENT OPTIONS

Armament: 4.2-in. Mortar, Cal .50 MG

Ammunition: 107 MM Mortar. 88 rounds
Cal .50, 600 rounds

Communications: Radio sets,
Intercom sets

Sighting & Fire Control: M17 and M19
Periscopes W/Mounts

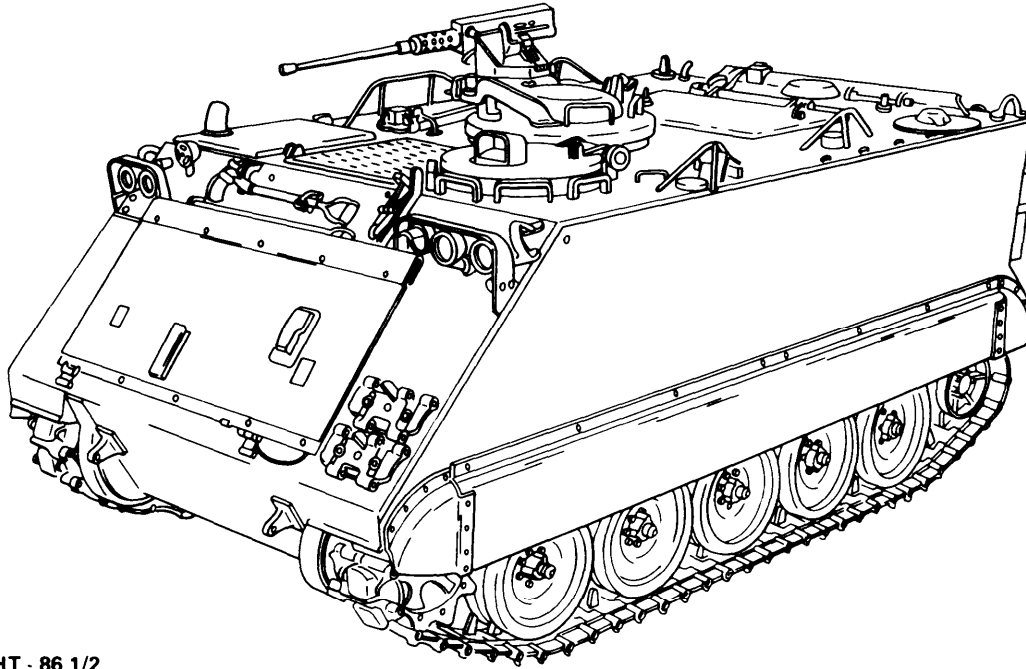
SHIPPING DATA

Weight Combat: 26,876 lb

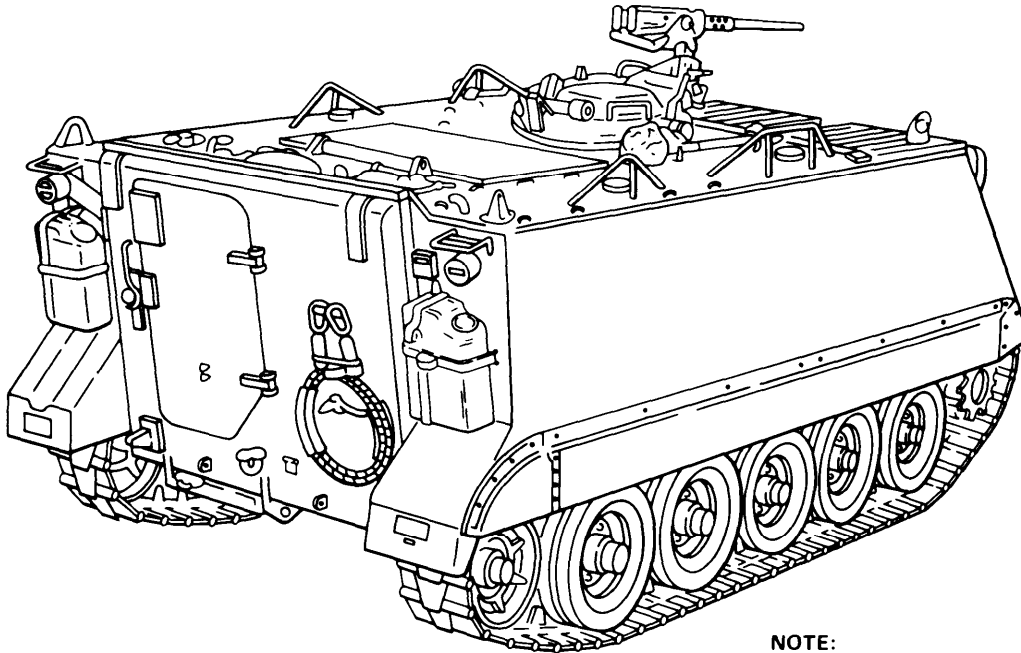
Weight Nat: 25,044 lb

Cube: 1,018 cu ft

Ground Clearance: 17 in



HEIGHT - 86 1/2
LENGTH
(W/WATER CAN) - 191 1/2
WIDTH - 105 3/4



NOTE:
ALL DIMENSIONS ARE IN INCHES.

TA208782

PURPOSE:**GENERAL INFORMATION**

Nomenclature: CARRIER, PERSONNEL,
FULL TRACKED: Armored, W/E

Model Number: M113A1

NSN: 2350-00-968-6321

LIN: D12087

SSN: G80701

TM: 9-2300-257-Series

CHARACTERISTICS

Engine: GM Diesel, 5063-5299

Type: Diesel, two cycle, liquid
cooled, 6V53

Horsepower: 212 bhp @ 2,800 rpm

Transmission: Allison, TX100-1

Type: Single stage

Ranges: Fwd 3, Rev 1

Electrical System: 24 Volt, 100 Amp
Alternator

Brakes: Mechanical, hydraulic

PERFORMANCE DATA

Fording Depth: Amphibious

Approach Angle: 70 Degrees

Maximum Grade Ability: 60 Percent

Maximum Vertical Obstacle: 24 in

Maximum Width of Ditch: 66 in

Allowable Speed: 42 mph

Cruising Range: 300 miles

Ground Pressure: 7.9 psi

VEHICLE DATA

Type Classification & Date: Std B, 1979

Life Expectancy:

Payload: 12 Troops, plus driver, and their
equipment

Air Transportability: Military Aircraft, C130

EQUIPMENT OPTIONS

Armament: Cal. 50 MG

Ammunition: Cal .50, 2,000 rds

Communications: Radio sets, Intercom sets

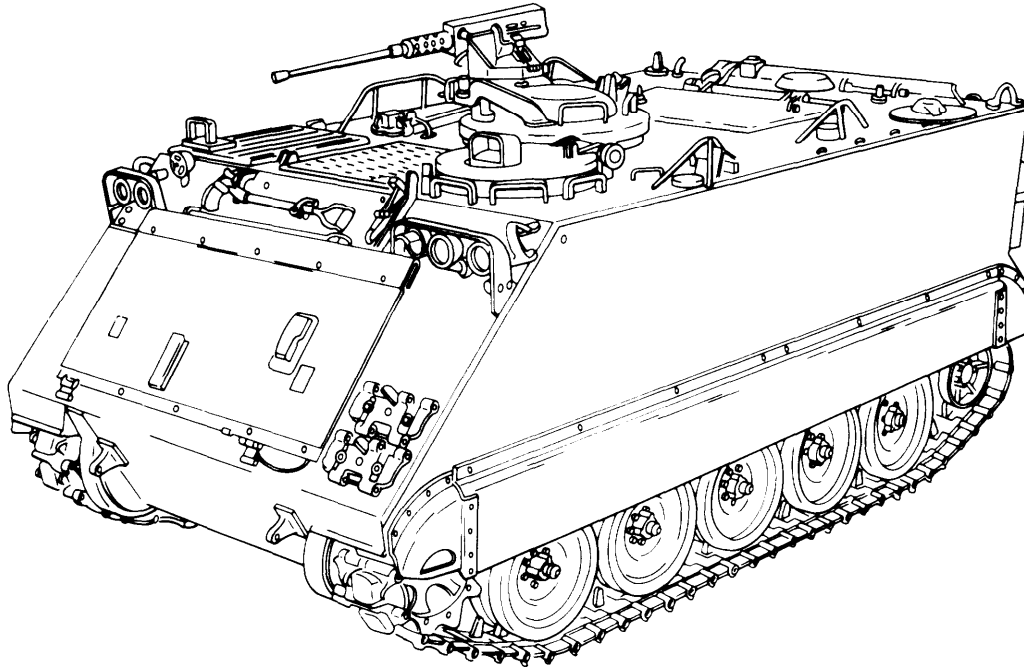
Sighting & Fire Control: M17 and M19
Periscopes W/Mounts

SHIPPING DATA

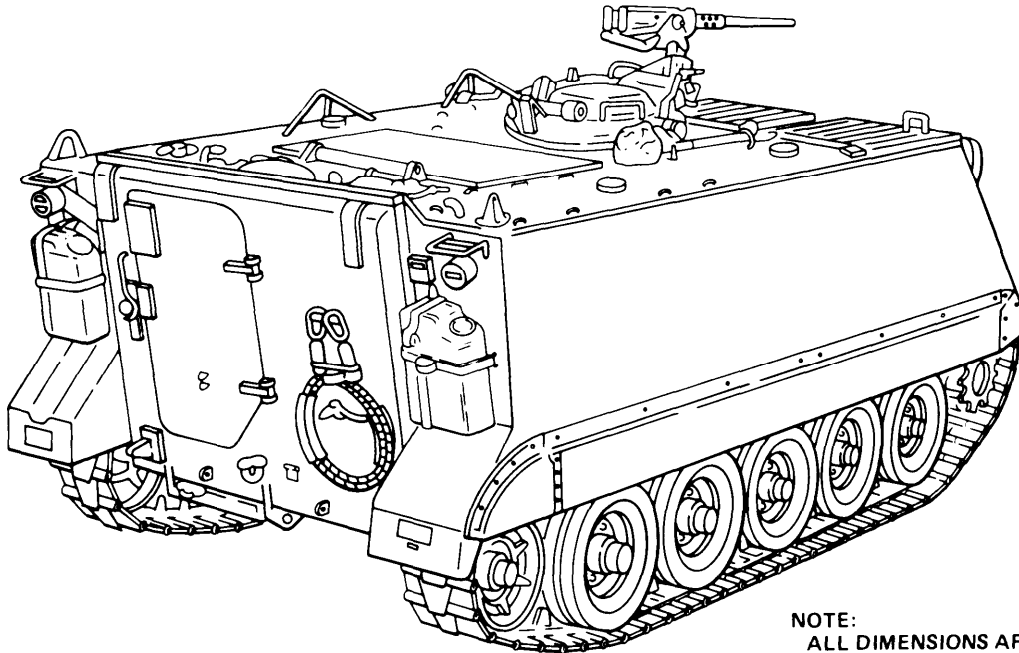
Weight: 24,594 lb (with full load)

Cube: 1,025 cu ft (with closure)

Ground Clearance: 16 in



HEIGHT - 98 1/4
LENGTH - 191 1/2
WIDTH - 105 3/4



NOTE:
ALL DIMENSIONS ARE IN INCHES.

TA209213

PURPOSE: This vehicle is employed by various Armored and Infantry Units engaged in combat operations.

GENERAL INFORMATION

Nomenclature: CARRIER, PERSONNEL,
FULL TRACKED: Armored, W/E

Model Number: M113A2

NSN: 2350-01-068-4077

LIN: D12087

SSN: G80701

TM: 9-2300-257-Series

CHARACTERISTICS

Engine: GM Diesel, 5063-5299

Type: Diesel, two cycle, liquid
cooled, 6V53

Horsepower: 212 bhp @ 2,800 rpm

Transmission: Allison, TX100-1

Type: Single stage

Ranges: Fwd 4, Rev 1

Electrical System: 24 Volt, 100 Amp
Alternator

Brakes: Mechanical, hydraulic

PERFORMANCE DATA

Fording Depth: Amphibious

Approach Angle: 70 Degrees

Maximum Grade Ability: 60 Percent

Maximum Vertical Obstacle: 24 in

Maximum Width of Ditch: 66 in

Allowable Speed: 42 mph

Cruising Range: 365 miles

Ground Pressure: 7.9 psi

VEHICLE DATA

Type Classification & Date: Std A, 1979

Life Expectancy:

Payload: 12 Troops, plus driver and their
equipment

Air Transportability: Military Aircraft, C130

EQUIPMENT OPTIONS

Armament: Cal .50 MG

Ammunition: Cal .50, 2,000 Rounds

Communications: Radio sets, Intercom sets

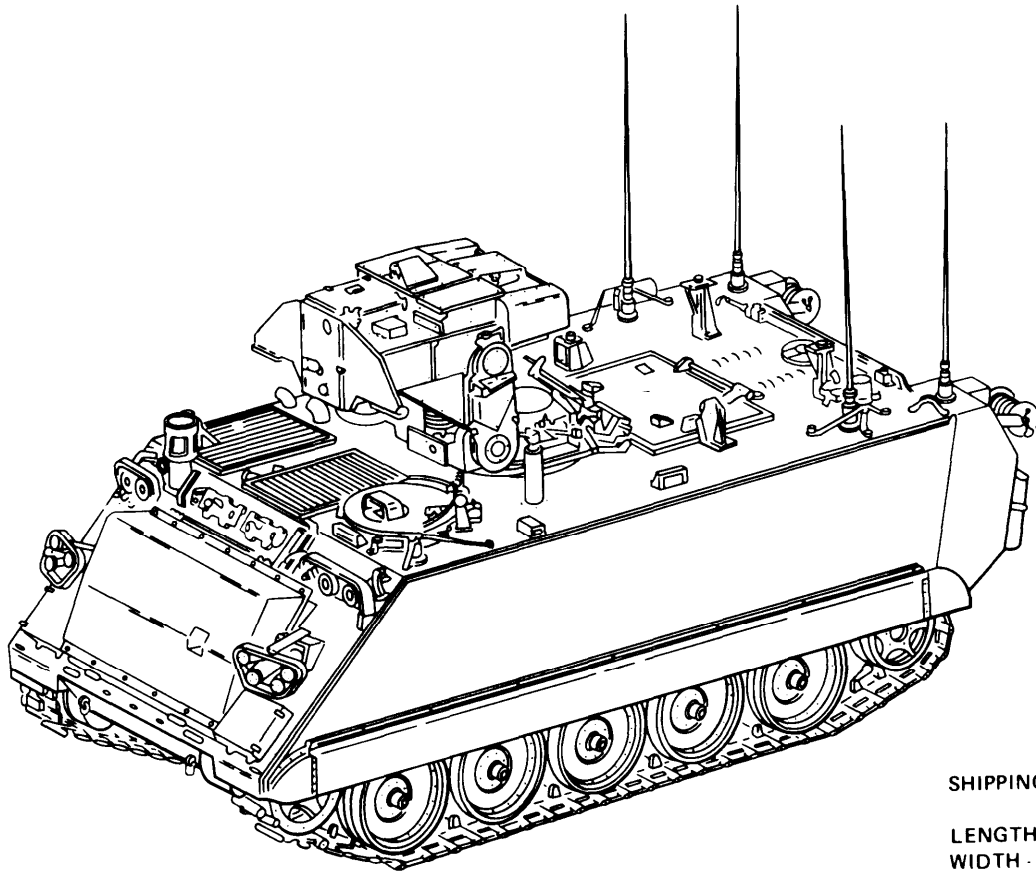
Sighting & Fire Control: M17 and M19
Periscopes W/Mounts

SHIPPING DATA

Weight: 25,886 lb (with full load)

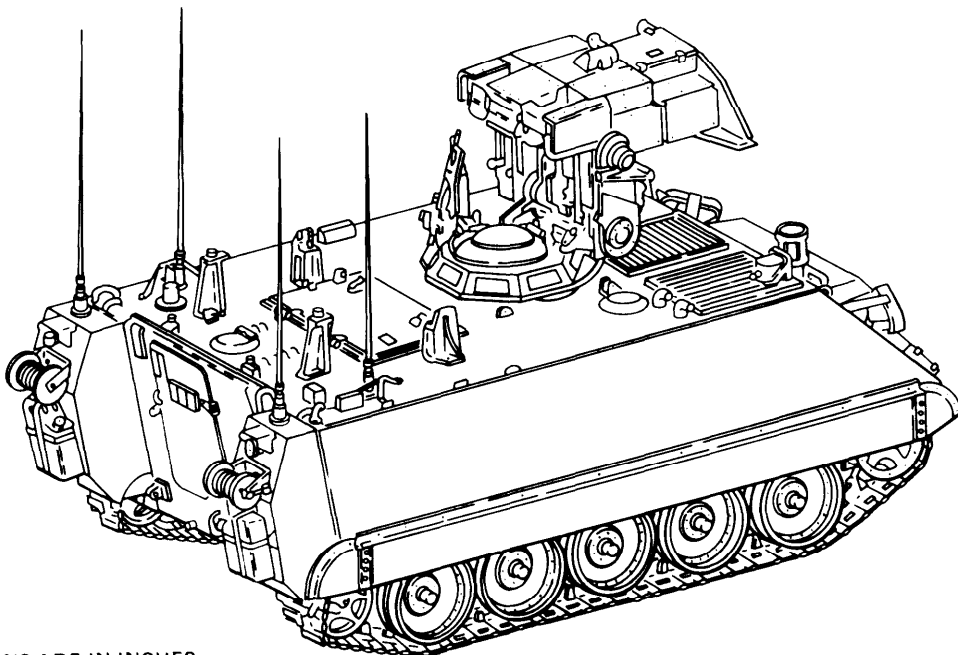
Cube: 1,025 cu ft (with closure)

Ground Clearance: 17 in



SHIPPING DIMENSIONS

LENGTH - 208 1/2
WIDTH - 100
HEIGHT - 103 3/16



NOTE:
ALL DIMENSIONS ARE IN INCHES.

TA209050

PURPOSE: Increase the capabilities of the fire support team supporting Mechanized Infantry, Armor, and Armored Cavalry maneuver Units.

GENERAL INFORMATION

Nomenclature: CARRIER, PERSONNEL, FULL TRACKED: Armored, Fire Support:

Model Number: XM981

NSN: 2350-01-085-3792

LIN: C12155

SSN: G80708

TM: 9-2350-261-10

VEHICLE DATA

Type Classification & Date: Std/20 Apr 1983

Life Expectancy: N/A

Payload: N/A

Air Transportability: Military aircraft, C130

CHARACTERISTICS

Engine: GM Diesel, 5063-5299

Type: Diesel, V-6

Horsepower: 210 bhp @ 2,800 rpm

Transmission: Allison, TX100-1

Type: Single stage

Ranges: Fwd 3, Rev 1

Electrical System: 24 Volt, 200 Amp Alternator

Brakes: Mechanical, Hydraulic

EQUIPMENT OPTIONS

Armament: M60 MG, 7.62 mm, Rifle M16A1, 5.56 mm(4)

Ammunition: Smoke Grenade M243 Two 4-Tube Launchers. Smoke Grenade, 8 each, 7.62 mm 800 rounds, 5.56 mm 840 rounds

Communications: AN/GRA-39; AN/GRC-160, OFF Vehicle Radio Set; AN/VRC-46

Sighting & Fire Control: M191 I.R. Periscope, Panoramic Telescope, 4XM26 Periscope (2), M17 Periscope (4), AN/TAS-4B Night Sight, AN/TVQ-2 G/VLLD

PERFORMANCE DATA

Fording Depth: Swims - No deeper than 7 ft

Approach Angle: 30 Degrees Maximum

Maximum Grade Ability: 60 percent

Maximum Vertical Obstacle: 24 in

Maximum Width of Ditch: 65 in

Allowable Speed: 40 mph

Cruising Range: 300 miles

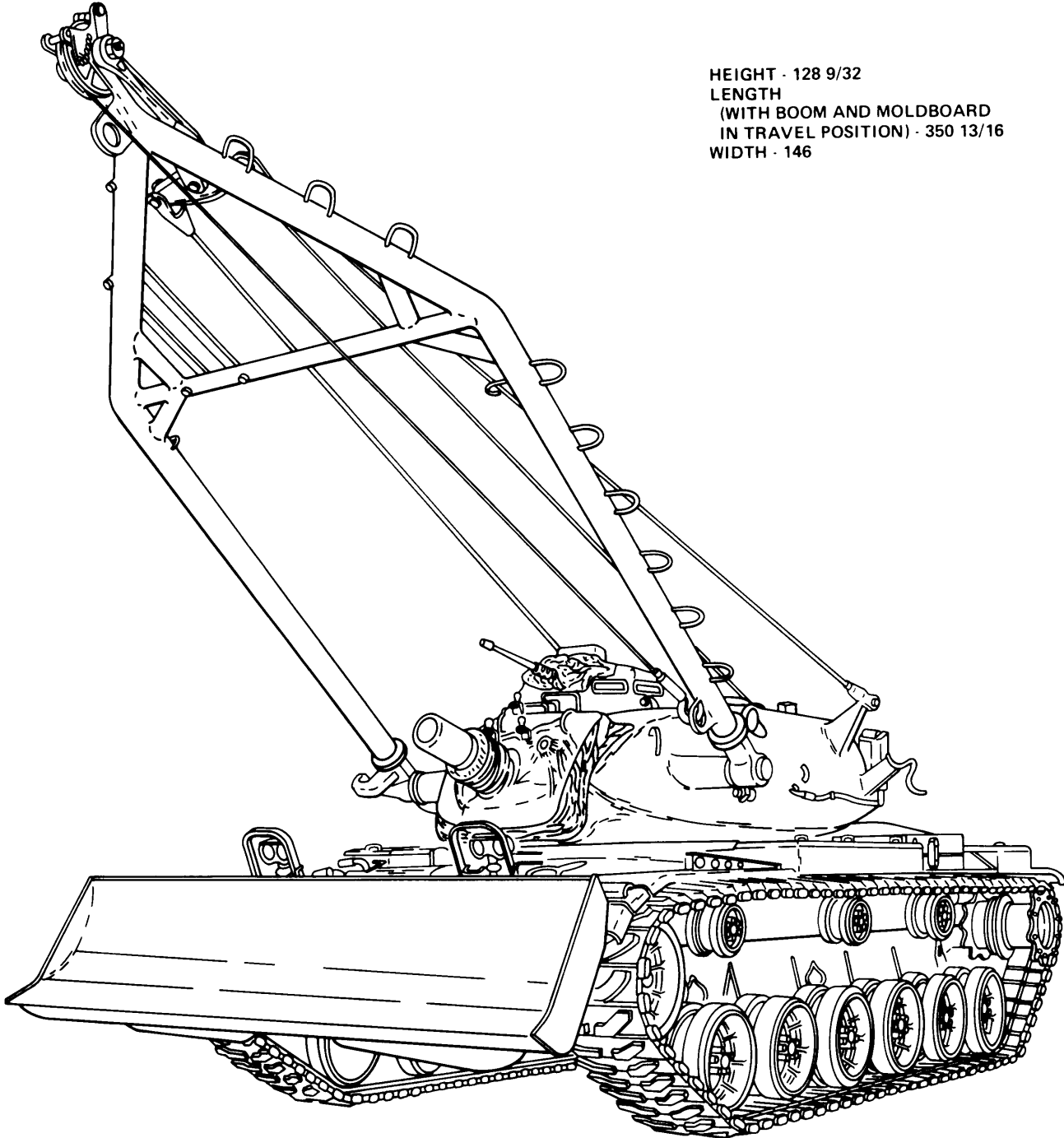
Ground Pressure: 8.54 psi

SHIPPING DATA

Weight: 26,900 lb

Cube: 1,398 cu ft

Ground Clearance: 17.12 in



HEIGHT - 128 9/32
LENGTH
(WITH BOOM AND MOLDBOARD
IN TRAVEL POSITION) - 350 13/16
WIDTH - 146

NOTE:
ALL DIMENSIONS ARE IN INCHES.

TA208779

PURPOSE: Combat engineer vehicle used to destroy or to create obstacles while providing movable weapons.

GENERAL INFORMATION

Nomenclature: COMBAT ENGINEER
VEHICLE, FULL TRACKED: W/E

Model Number: M728

NSN: 2350-00-795-1797

LIN: E56578

SSN: G82301

TM: 9-2350-222-Series

CHARACTERISTICS

Engine: Continental, AVDS-1790-2A

Type: Diesel, air cooled, V-12

Horsepower: 642 bhp @ 2,400 rpm

Transmission: Allison, CD-850-6A

Type: Cross drive

Ranges: Fwd 2, Rev 1

Electrical System: 24 Volt

Brakes: Multiple disc, wet plate

PERFORMANCE DATA

Fording Depth: 48 in

Approach Angle:

Maximum Grade Ability: 60 percent

Maximum Vertical Obstacle: 15 in

Maximum Width of Ditch: 99 in

Allowable Speed: 30 mph

Cruising Range: 280 miles @ 20 mph

Ground Pressure: 12.2 psi

VEHICLE DATA

Type Classification & Date: Std A, 1965

Life Expectancy: 1985

Lifting Capacity: 17,500 lb

Winching Capacity: 25,000 lb

Boom Capacity:

Single Line -25,000 lb

Double Line -50,000 lb

Air Transportability:

EQUIPMENT OPTIONS

Armament: 165 mm Gun, 7.62 mm MG,
Cal .50 MG, Cal .45 SubMG

Ammunition: 165 mm, 30 rounds; 7.62 mm,
3,600 rounds; Cal .50, 728 rounds; Cal .45,
360 rounds

Communications: AN/VRC-53, AN/GRC-125
or AN/VRC-46 plus AN/VIC-1

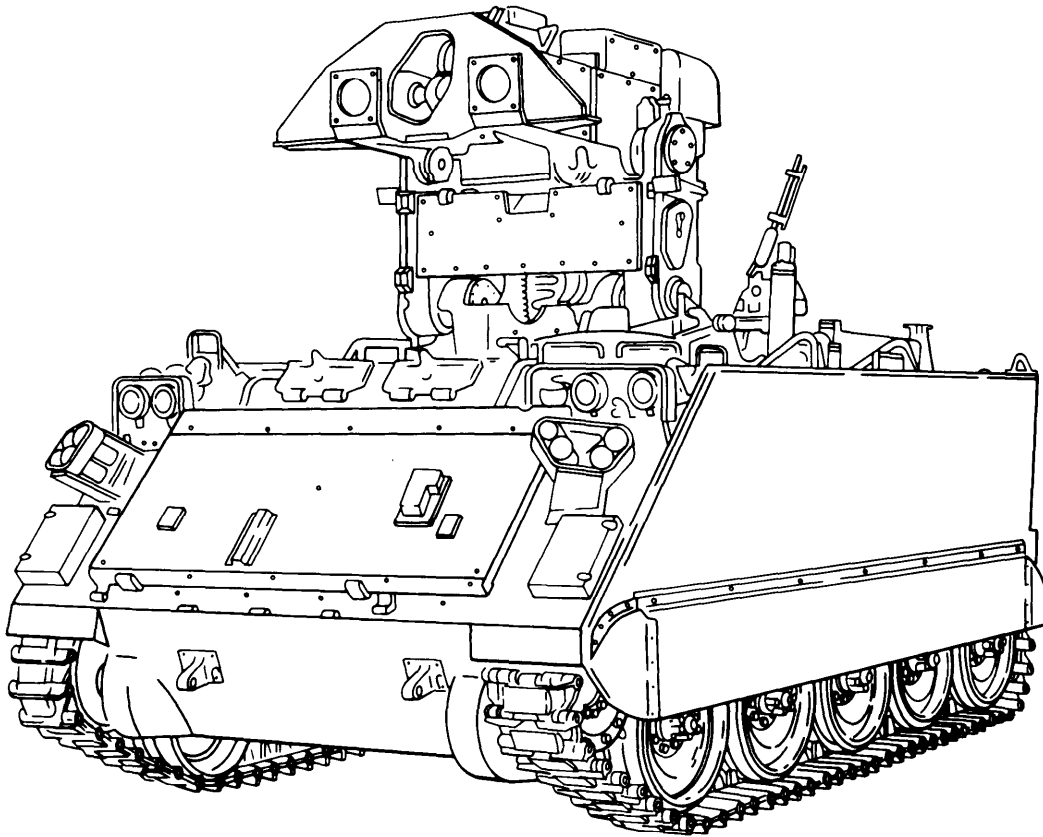
Sighting & Fire Control: Ballistic Drive,
Periscopes W/Mounts, Telescope
W/Mount, Infinity Sight, Fire Control
Quadrant, Azimuth Indicator

SHIPPING DATA

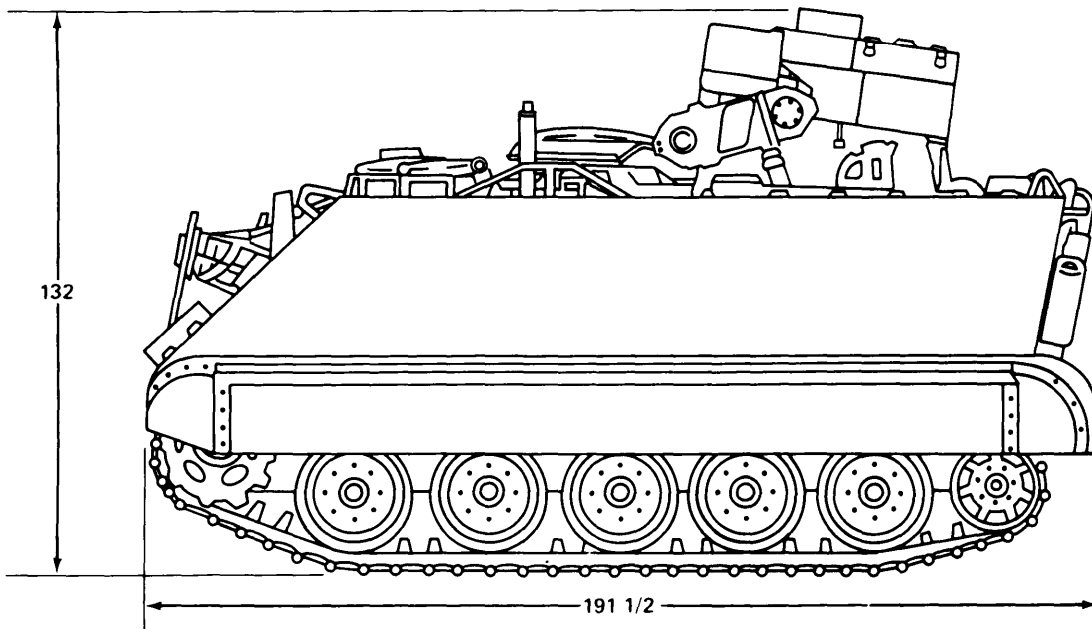
Weight: 117,400 lb (Combat Loaded)

Cube: 2,450 cu ft

Ground Clearance: 15 in



NOTE:
ALL DIMENSIONS ARE IN INCHES.



TA208816

PURPOSE: The ITV will be deployed in Mechanized Infantry, Armor and selected Armored Cavalry Units to provide long range anti-tank capability to destroy the combined arms integrity of the enemy.

GENERAL INFORMATION

Nomenclature: COMBAT VEHICLE,
ANTITANK, IMPROVED TOW:

Model Number: M901/M901A1

NSN: 2350-01-045-1123 ,

LIN: E56896

SSN: G80707

TM: 9-2350-259-Series

CHARACTERISTICS

Engine: Detroit Diesel Engine

Type: Diesel, two cycle, liquid cooled,
6V53

Horsepower: 212 bhp @ 2,800 rpm

Transmission: Allison Division, TX100-1

Type: Single stage

Ranges: Fwd 4, Rev 1

Electrical System: 24 Volt, 100 Amp Alternator

Brakes: Mechanical, hydraulic

PERFORMANCE DATA

Fording Depth: Amphibious, no deeper
than 7 ft

Approach Angle: 30 Degrees Maximum

Maximum Grade Ability: 60 percent

Maximum Vertical Obstacle: 24 in

Maximum Width of Ditch: 66 in

Allowable Speed: 42 mph

Cruising Range: 300 miles

Ground Pressure: 8.35 psi

VEHICLE DATA

Type Classification & Date: Std A, 1979

Life Expectancy:

Payload:

Air Transportability: Military aircraft, C130

EQUIPMENT OPTIONS

Armament: M901 Launcher, M60 Machine Gun

Ammunition: 10 TOW missiles (all types);
7.62 mm (all types), 2,000 rounds
M243 Smoke Grenade Launchers

Communications: Radio Set AN/VRC-64 or
AN/GRC-160; Intercom Control C-2298/VRC;
Transient Suppressor MX-7778/GRC,
Intercom Amplifier AM-1780/VRC

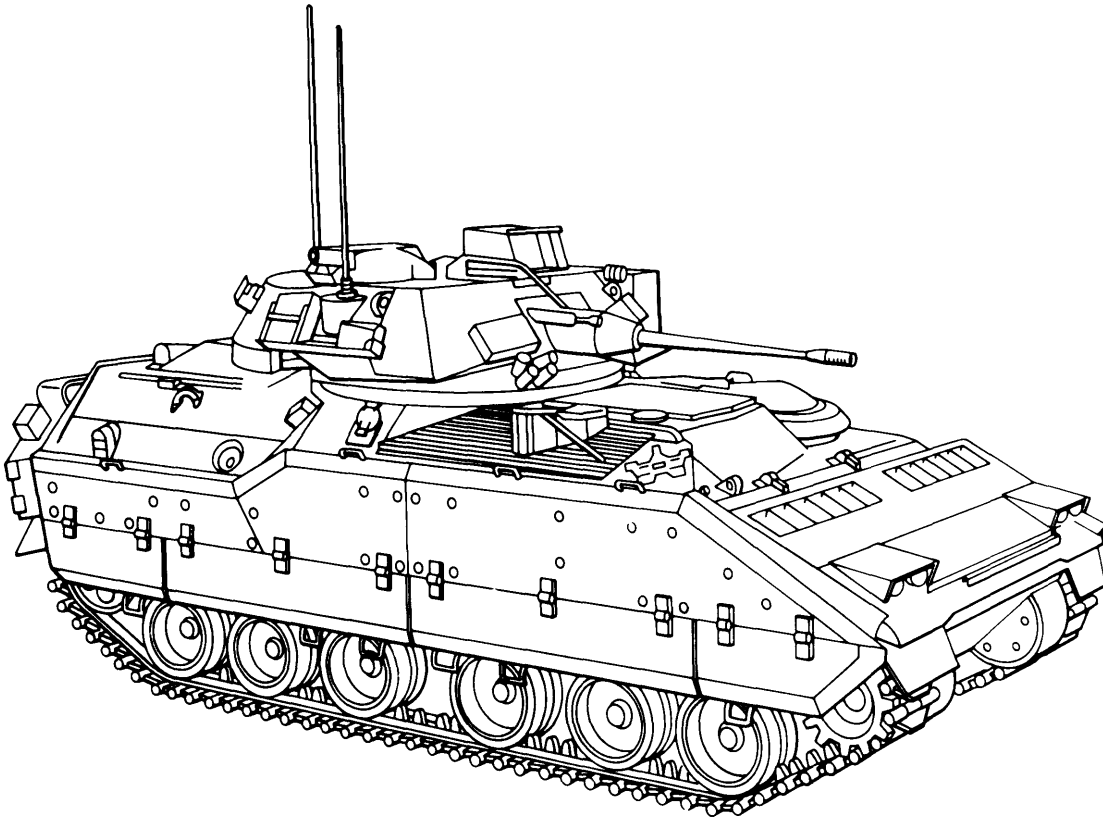
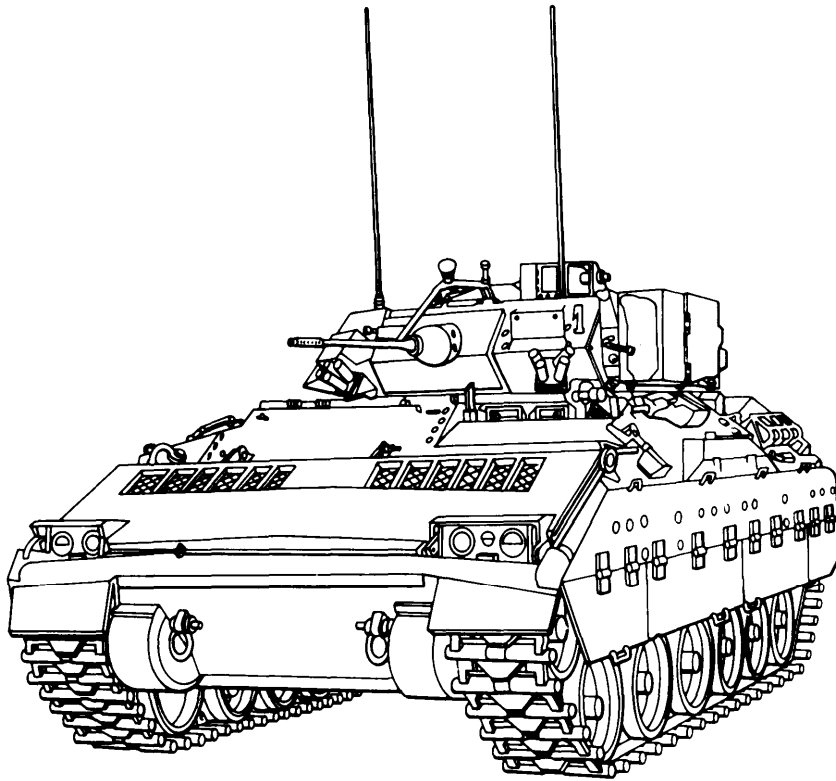
Sighting & Fire Control: Driver's M17
Periscope, M19 I.R. Periscope, M26
Periscope 3 x Telescope, Day-Sight/Tracker
Installed, Night Sight (ANTAS4), Squad
Leader's Periscope

SHIPPING DATA

Weight: 26,000 lb

Cube: 1,025 cu ft

Ground Clearance: 17 in



TA209214

PURPOSE:**GENERAL INFORMATION**

Nomenclature: FIGHTING VEHICLE,
CAVALRY: Full Tracked

Model Number: M3

NSN: 2350-01-049-2695

LIN: C76335

SSN: G80704

TM: 9-2350-252-Series

CHARACTERISTICS

Engine: Cummins VTA 903T

Type: Diesel, 4 cy

Horsepower: 500 bhp @ 2,400 rpm

Transmission: G.E. HMPT-500

Type: Automatic, hydromechanical

Ranges: Fwd 3, Rev 1

Electrical System: 28 Volt DC

Brakes: Multidisc, oil cooled

PERFORMANCE DATA

Maximum Grade Ability: 60 percent

Maximum Vertical Obstacle: 36 in

Maximum Width of Ditch: 100 in

Allowable Speed: 41 mph

Speed in Water: 4.5 mph

Cruising Range: 300 miles

Ground Pressure: 7.54 psi

VEHICLE DATA

Type Classification & Date: Std A, 1979

Life Expectancy: CY2002

Payload: 7,331 lb

Air Transportability: C5A, C141

EQUIPMENT OPTIONS

Armament: TOW Missile Launcher; 25 rpm
Gun, M240 MG, Squad Weapons (M60 MG,
M16A1 Rifles, LAWS)

Ammunition: 25 mm, 7.62 mm, 5.56 mm; TOW
Missiles, TOW Missiles

Communications: AN/PRC-77, AN/GRC-160,
AN/VRC-46

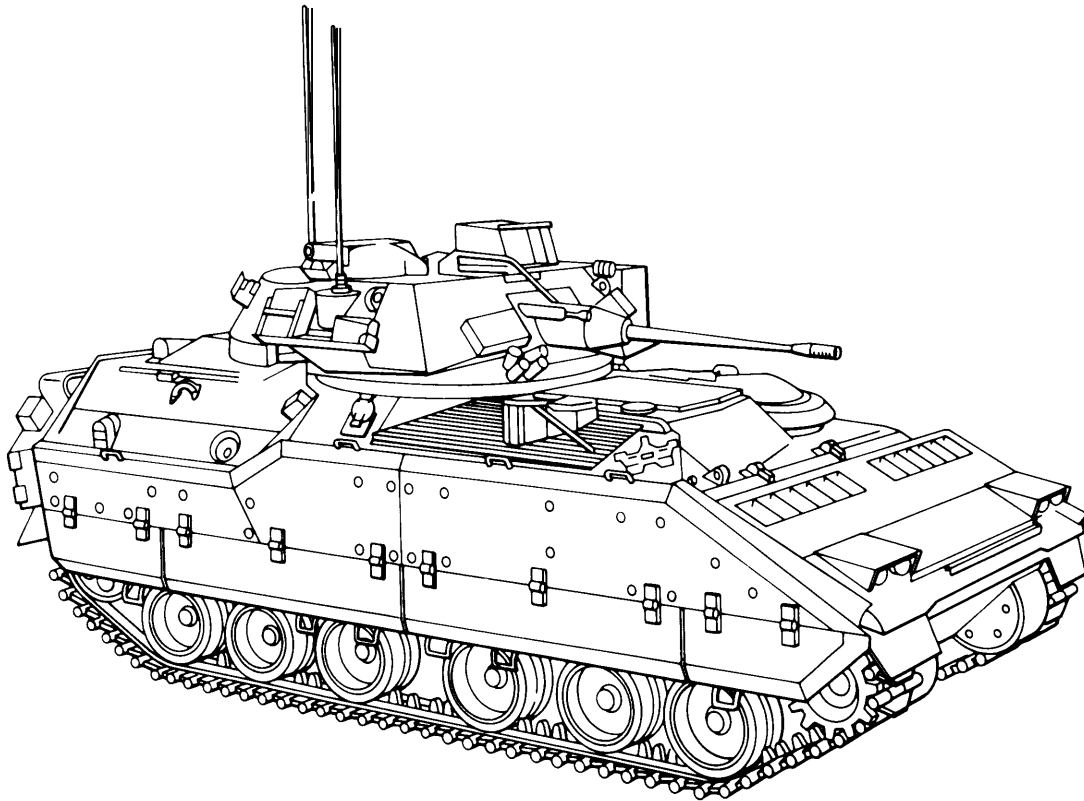
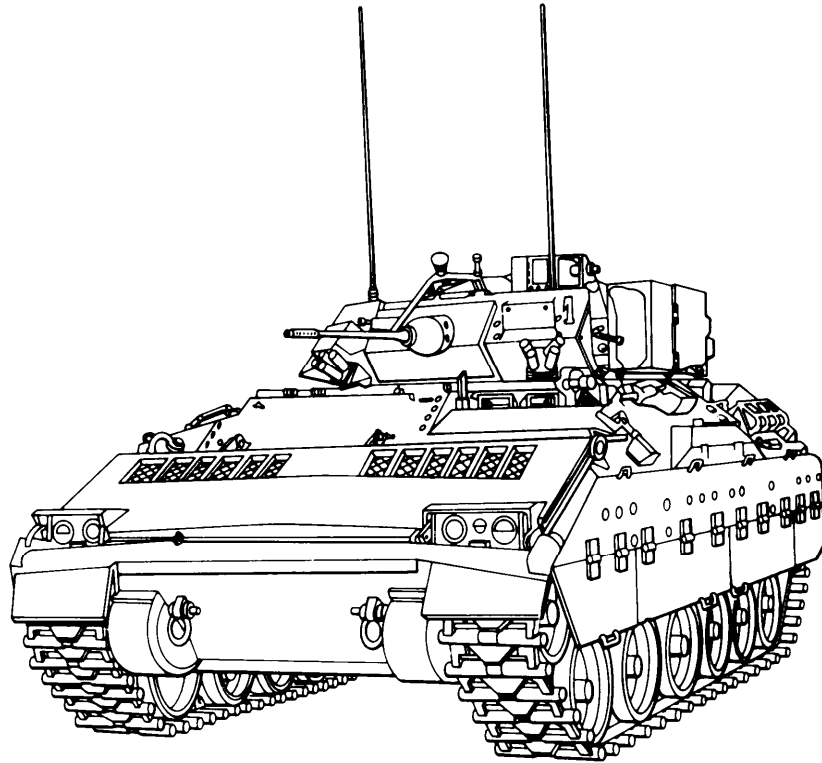
Sighting & Fire Control: Thermal Imagery,
Optical Relay, AN/VVS-2, AN/PVS-4,
AN/PVS-5

SHIPPING DATA

Weight: 41,459 lb

Cube: 2,310 cu ft

Ground Clearance: 18 in



TA209215

PURPOSE:**GENERAL INFORMATION**

Nomenclature: FIGHTING VEHICLE,
INFANTRY: Full Tracked

Model Number: M2

NSN: 2350-01-048-5920

LIN: J81750

SSN: G80702

TM: 9-2350-252-Series

CHARACTERISTICS

Engine: Cummins VTA 903T

Type: Diesel, V8

Horsepower: 500 bhp @ 2,400 rpm

Transmission: G.E. HMPT-500

Type: Automatic, hydromechanical

Ranges: Fwd 3, Rev 1

Electrical System: 24 Volt DC

Brakes: Multidisc, oil cooled

PERFORMANCE DATA

Maximum Grade Ability: 60 percent

Maximum Vertical Obstacle: 36 in

Maximum Width of Ditch: 100 in

Allowable Speed: 41 mph

Speed on Water: 4.5 mph

Cruising Range: 300 miles

Ground Pressure: 7.68 psi

VEHICLE DATA

Type Classification & Date: Std A, 1979

Life Expectancy: CY2002

Payload: 7,311.01 lb

Air Transportability: C5A, C141

EQUIPMENT OPTIONS

Armament: TOW Missile Launcher, TOW
Dragon, 25 mm Gun, M240C MG, Firing Port
Weapon XM231, Squad Weapons (M60 MG,
Rifles M16A1)

Ammunition: 25 mm, 7.62 mm, 5.56 mm, TOW
Missiles TOW Dragon Missiles, LAW Rockets

Communications: AN/VRC-46, AN/GRC-160,
AN/PVS-5

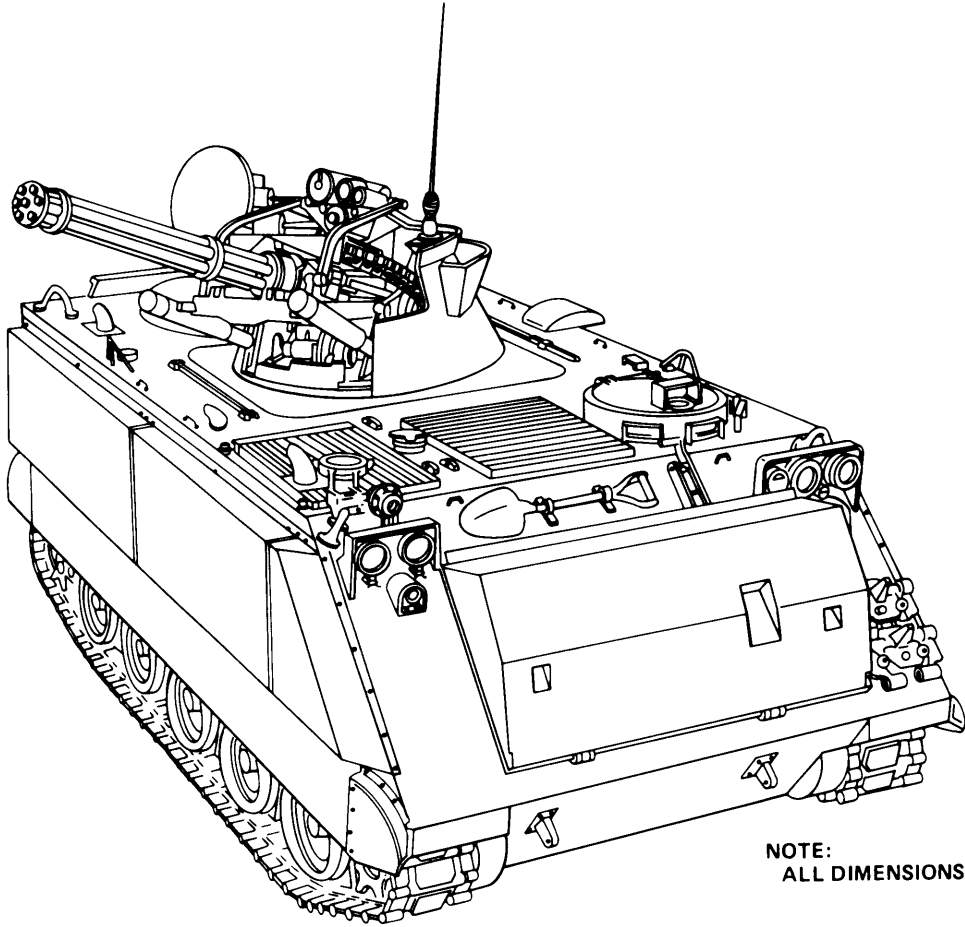
Sighting & Fire Control: Thermal Imagery,
Optical Relay, AN/VVS-2, AN/PVS-4,
AN/PVS-5

SHIPPING DATA

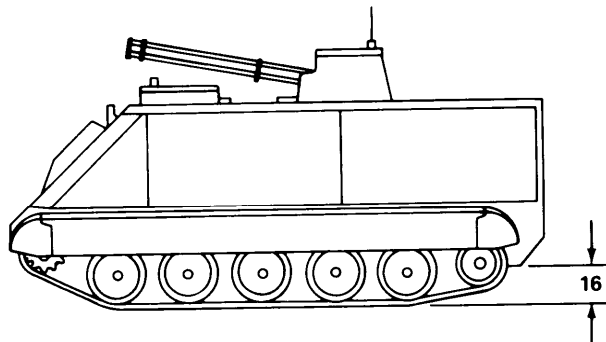
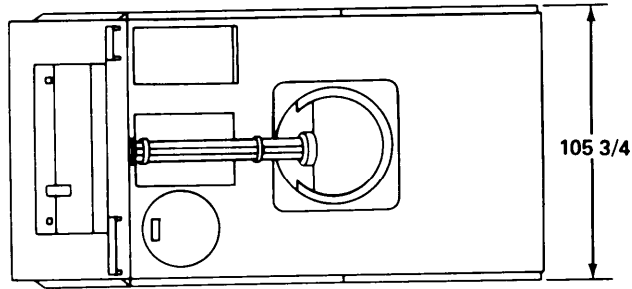
Weight: 42,459 lb

Cube: 2,310 cu ft

Ground Clearance: 18 in



NOTE:
ALL DIMENSIONS ARE IN INCHES.



TA209264

PURPOSE:**GENERAL INFORMATION**

Nomenclature: GUN, AIR DEFENSE
ARTILLERY, SELF-PROPELLED: 20 MM

Model Number: M163

NSN: 2350-00-999-4392

LIN: J95654

SSN: G26500

TM: 9-2350-300-Series (Gun)

TM: 9-2350-257-Series (Chassis)

CHARACTERISTICS

Engine: Detroit Diesel 6V53T

Type: Diesel, liquid cooled, V-6

Horsepower: 210 bhp @ 2,800 rpm

Transmission: Allison, TX100-1

Type: Single stage

Ranges: Fwd 3, Rev 1

Electrical System: 24 Volt, 100 Amp
Alternator

Brakes: Mechanical

PERFORMANCE DATA

Fording Depth: Amphibious

Approach Angle: 70 Degrees

Maximum Grade Ability: 60 Percent

Maximum Vertical Obstacle: 24 in

Maximum Width of Ditch: 66 in

Allowable Speed: 40 mph

Cruising Range: 275 miles

Ground Pressure: 8.1 psi

VEHICLE DATA

Type Classification & Date: Std A, 1972

Life Expectancy:

Payload: 4 Man Crew

Air Transportability: Military Aircraft, C130

EQUIPMENT OPTIONS

Armament: 20 mm Cannon

Ammunition: 20 mm, HEIT-SD M246,
HEI-M56A3, TP-T-M220, TP-M55A2
Dummy-M51A2

Communications: Radio Sets AN/VRC-47;
Intercom Control Box C-2298/VRC

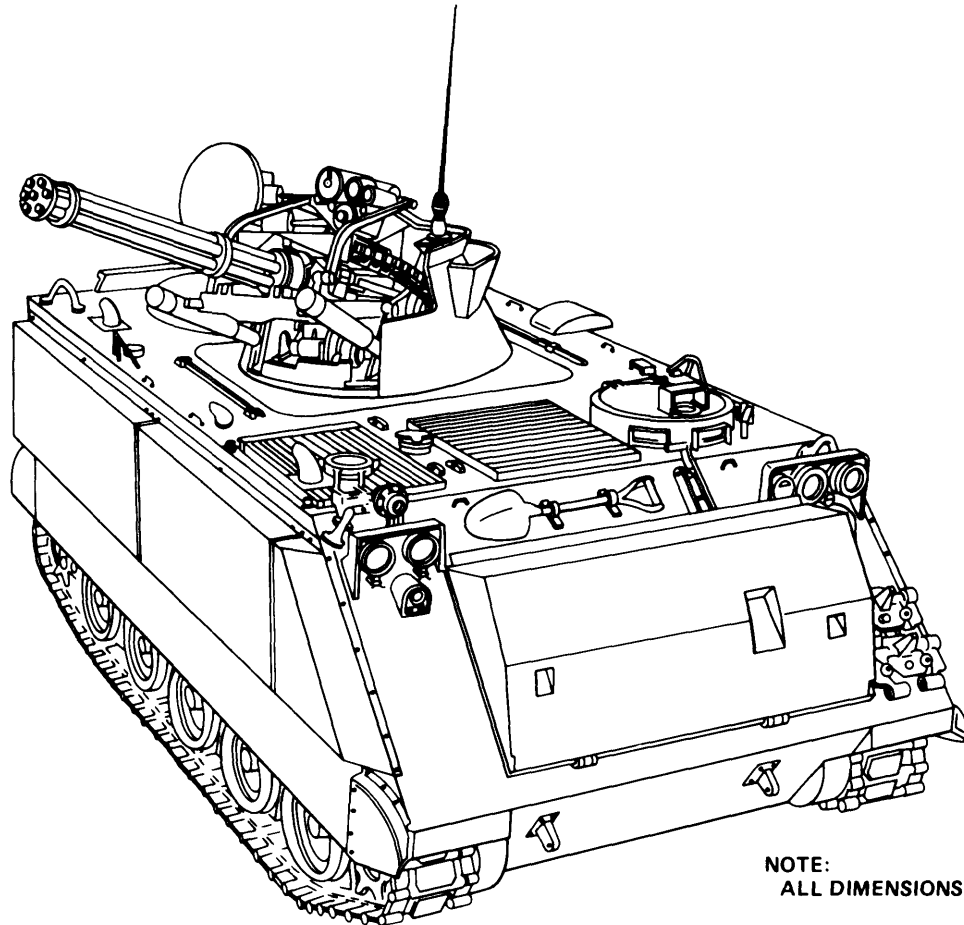
Sighting & Fire Control: M-61 Sight,
M-138 Telescope, M-157A1 Mount,
AN/VPS-2 Radar Set

SHIPPING DATA

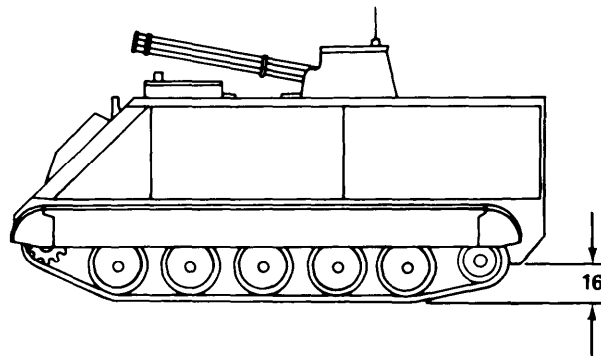
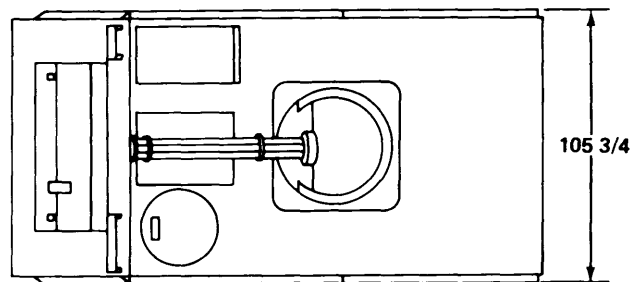
Weight: 23,183 lb (Combat Loaded)

Cube: 1,148 cu ft

Ground Clearance: 16 in



NOTE:
ALL DIMENSIONS ARE IN INCHES.



TA208824

PURPOSE: Close-in defense against low flying aircraft.

GENERAL INFORMATION

Nomenclature: GUN, AIR DEFENSE
ARTILLERY, SELF-PROPELLED: 20 MM

Model Number: M163A1

NSN: 2350-01-017-2113

LIN: J95654

SSN: G26500

TM: 9-2350-300-Series (Gun)

TM: 9-2300-257-Series (Chassis)

CHARACTERISTICS

Engine: GM Diesel, 5063-5299

Type: Diesel, two cycle, liquid
cooled, V-6

Horsepower: 210 bhp @ 2,800 rpm

Transmission: Allison, TX100-1

Type: Single stage

Ranges: Fwd 3, Rev 1 ev 1

Electrical System: 24 Volt, 100 Amp
Alternator

Brakes: Mechanical

PERFORMANCE DATA

Fording Depth: Amphibious

Approach Angle: 70 Degrees

Maximum Grade Ability: 60 Percent

Maximum Vertical Obstacle: 24 in

Maximum Width of Ditch: 66 in

Allowable Speed: 40 mph

Cruising Range: 275 miles

Ground Pressure: 8.6 psi

VEHICLE DATA

Type Classification & Date: Std A, 1980

Life Expectancy:

Payload: 4 Man Crew

Air Transportability: Military Aircraft, C130

EQUIPMENT OPTIONS

Armament: M168 20 mm Cannon
on M157A1 Mount

Ammunition: 25 MM, HE IT-SD M246, HEI
M8A3, TP-T-M220, TP-M55A2, Dummy
M51A2

Communications: Radio Sets AN/VRC-47,
Intercom Control Box C-2298/VRC

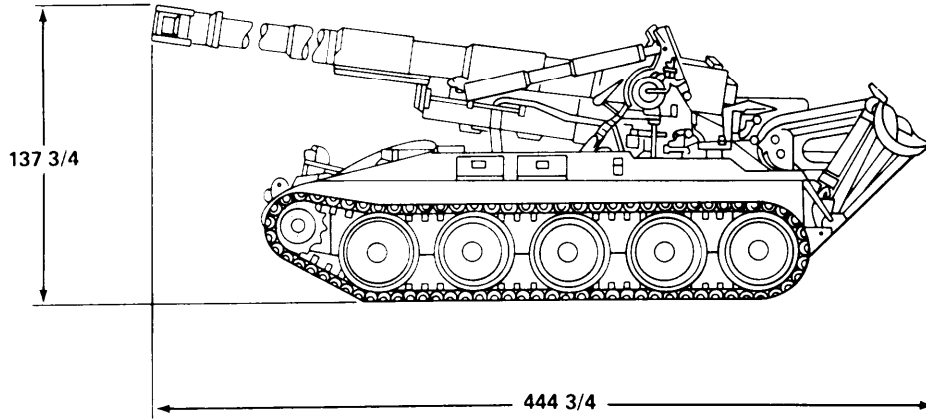
Sighting & Fire Control: M61 Sight,
AN/VPS-2 Radar, M134 Telescope,
AN/TVS-2B Night Sight, CP-888
VSP-2 Range Computer

SHIPPING DATA

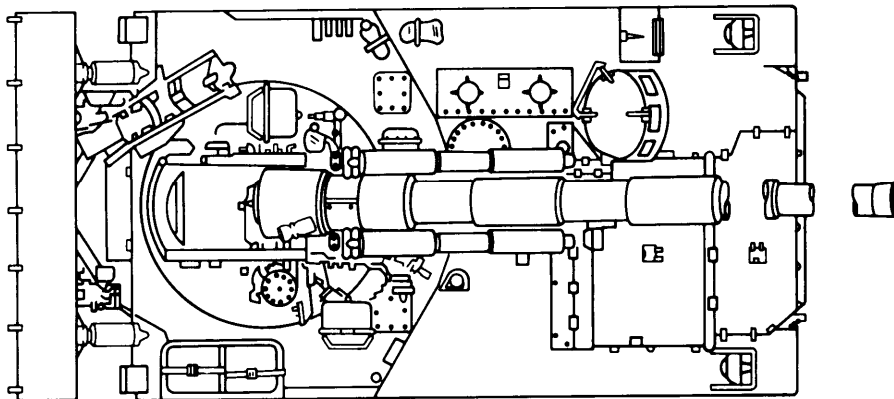
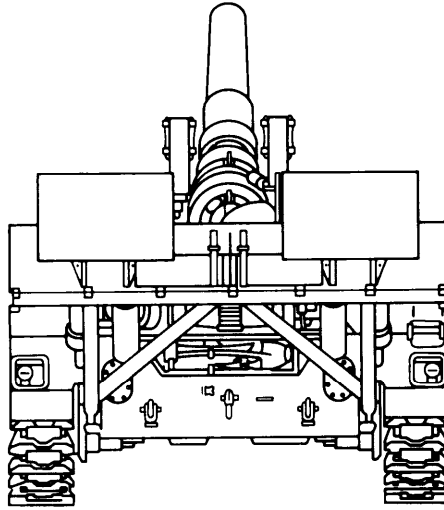
Weight: 23,183 lb

Cube: 1,148 cu ft

Ground Clearance: 16 in



NOTE:
ALL DIMENSIONS ARE IN INCHES.



TA209216

PURPOSE:**GENERAL INFORMATION**

Nomenclature: GUN, FIELD ARTILLERY,
SELF-PROPELLED: Howitzer, 8 inch

Model Number: M107

NSN: 2350-00-436-6635

LIN: Q56981

SSN: G295

TM: 9-2300-216-Series

CHARACTERISTICS

Engine: Detroit Diesel, 8U71T

Type: Diesel, two cycle, liquid
cooled, V-8

Horsepower: 405 bhp @ 2,300 rpm

Transmission: Allison, XTG-411-2A

Type: Cross drive

Ranges: Fwd 4, Rev 2

Electrical System: 24 Volt

Brakes: Mechanical

PERFORMANCE DATA

Fording Depth: 42 in

Approach Angle: 30 Degrees

Maximum Grade Ability: 60 Degrees

Maximum Vertical Obstacle: 40 in

Maximum Width of Ditch: 93 in

Allowable Speed: 34 mph

Cruising Range: 325 miles

Ground Pressure: 11.6 psi

VEHICLE DATA

Type Classification & Date: Std A, 1976

Life Expectancy: 15 Years

Payload: N/A

Air Transportability: Large cargo aircraft

EQUIPMENT OPTIONS

Armament: 8 in (203 mm) Howitzer,
M201A1 Cannon

Ammunition: Projectiles and Propel-
lant Charges (Stowed)

Communications: AN/VIC-1 or AV/VIC-
1(V), Intercom W/Headset

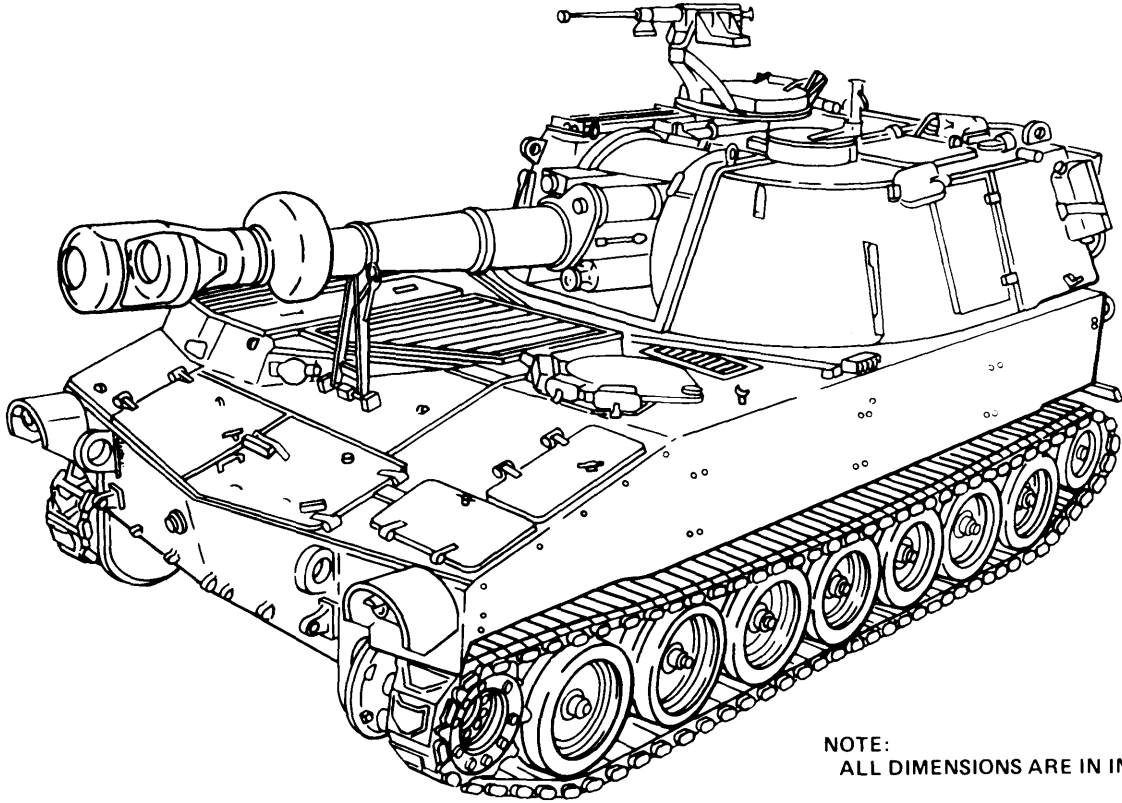
Sighting & Fire Control: M1A1 Collimator,
M1A2 Aiming Post W/Lights M14,
M139 Telescope, M115 Panoramic
Telescope, M15 Elevation Quadrant,
M17 Periscope

SHIPPING DATA

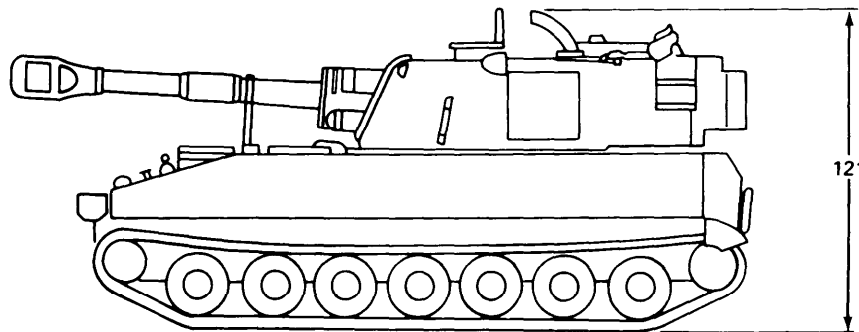
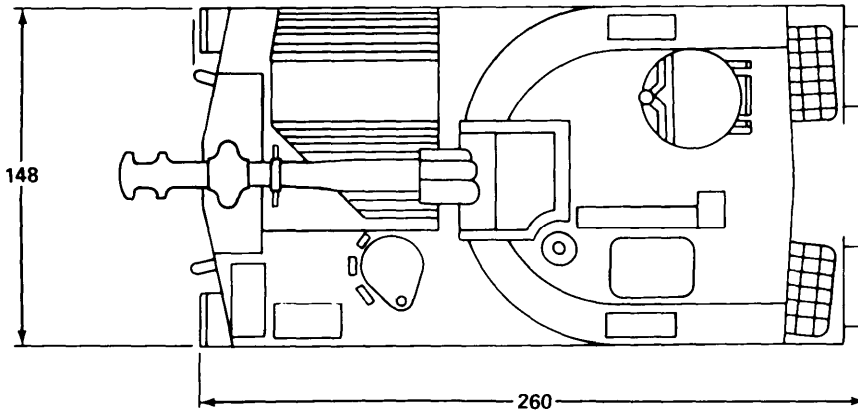
Weight: 62,500 lb

Cube: 3,796.8 cu ft

Ground Clearance: 15.5 in



NOTE:
ALL DIMENSIONS ARE IN INCHES.



TA208817

PURPOSE:**GENERAL INFORMATION**

Nomenclature: HOWITZER, MEDIUM, SELF -
PROPELLED: 155 MM Gun, Short Tube

Model Number: M109

NSN: 2350-00-440-8811

LIN: K57667

SSN:

TM: 9-2350-217-Series

CHARACTERISTICS

Engine: Detroit Diesel, 8V71T

Type: Diesel, liquid cooled, V-8

Horsepower: 405 bhp @ 2,300 rpm

Transmission: Allison, XTG-411-2A

Type: Cross drive

Ranges: Fwd 4, Rev 2

Electrical System: 24 volt

Brakes: Mechanical

PERFORMANCE DATA

Fording Depth: 42 in

Approach Angle:

Maximum Grade Ability: 60 percent

Maximum Vertical Obstacle: 21 in

Maximum Width of Ditch: 72 in

Allowable Speed: 35 mph

Cruising Range: 220 miles

Ground Pressure: 10.85 psi

VEHICLE DATA

Type Classification & Date: Std A, 1963

Life Expectancy:

Payload:

Air Transportability:

EQUIPMENT OPTIONS

Armament: 155 mm Cannon, Cal. 50 MG

Ammunition: 155 mm, 28 rounds; Cal .50, 500 rounds

Communications: Intercom set W/Outlets

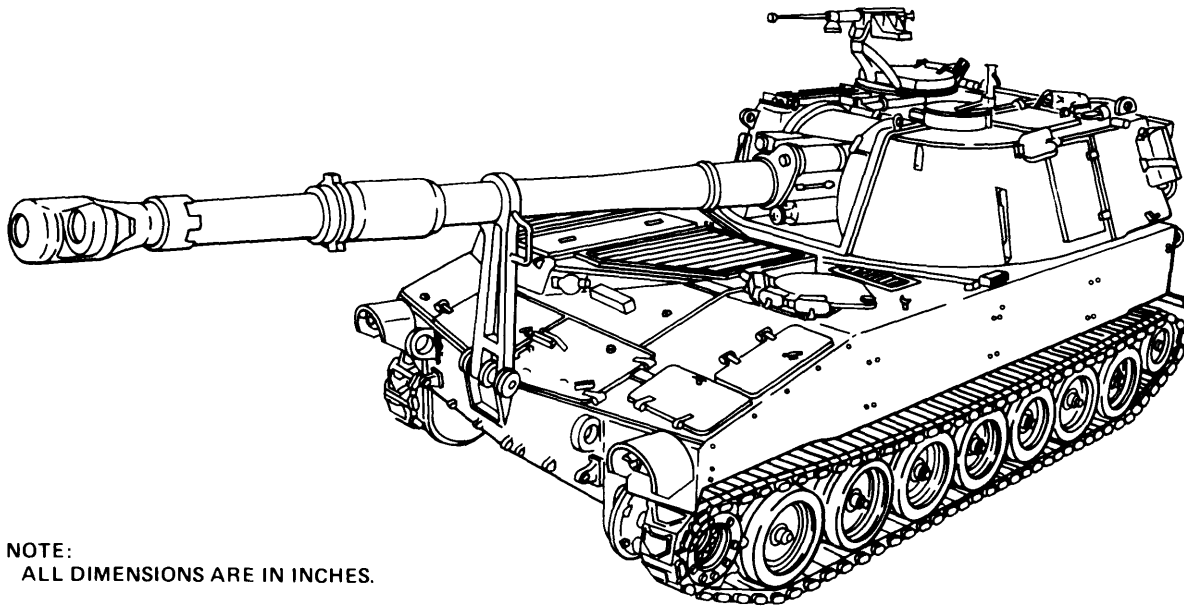
Sighting & Fire Control: Periscopes
W/Mounts, Telescopes W/Mounts,
Elevation Quadrant, Infinity Aiming
Reference Collimator

SHIPPING DATA

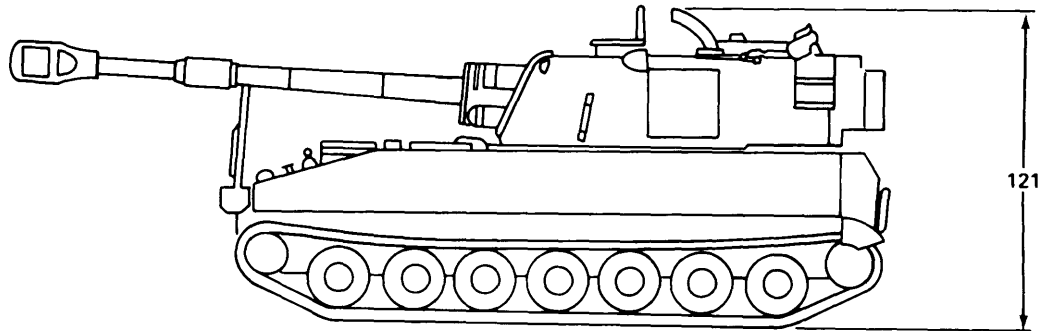
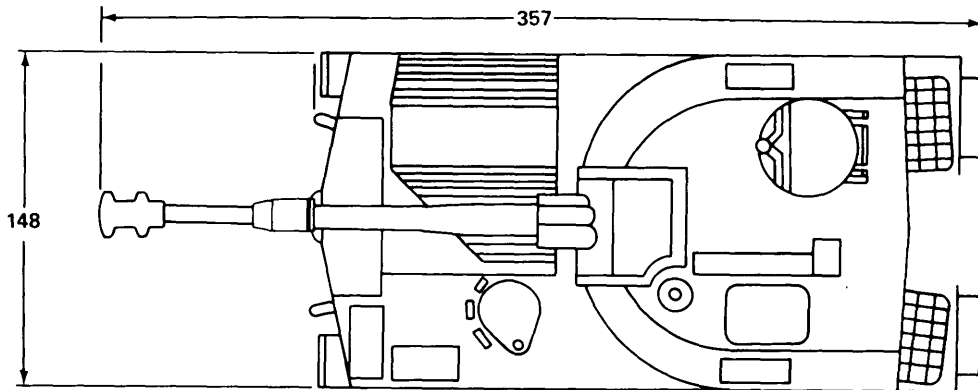
Weight: 47,000 lb
51,000 (Combat Loaded)

Cube: 2,250 cu ft

Ground Clearance: 18 in



NOTE:
ALL DIMENSIONS ARE IN INCHES.



T A 208P 10

PURPOSE:**GENERAL INFORMATION**

Nomenclature: HOWITZER, MEDIUM, SELF-PROPELLED: 155 MM Gun

Model Number: M109A1

NSN: 2350-00-485-9662

LIN: K57667

SSN:

TM: 9-2350-217-Series

CHARACTERISTICS

Engine: Detroit Diesel, 8V71T

Type: Diesel, liquid cooled, V8

Horsepower: 405 bhp @1 2,300 rpm

Transmission: Allison, XTG-411-2A

Type: Cross drive

Ranges: Fwd 4, Rev 2

Electrical System: 24 Volt

Brakes: Mechanical

PERFORMANCE DATA

Fording Depth: 42 in

Approach Angle: 70 Degree

Maximum Grade Ability: 60 percent

Maximum Vertical Obstacle: 21 in

Maximum Width of Ditch: 72 in

Allowable Speed: 35 mph

Cruising Range: 220 miles

Ground Pressure:

VEHICLE DATA

Type Classification & Date: Std A, 1971

Life Expectancy:

Payload:

Air Transportability: C5A

EQUIPMENT OPTIONS

Armament: 155 mm Cannon, Cal .50 MG

Ammunition: 155 mm, 28 rounds; Cal .50, 500 rounds

Communications: AN/VIC-1, External Extension C-988/U

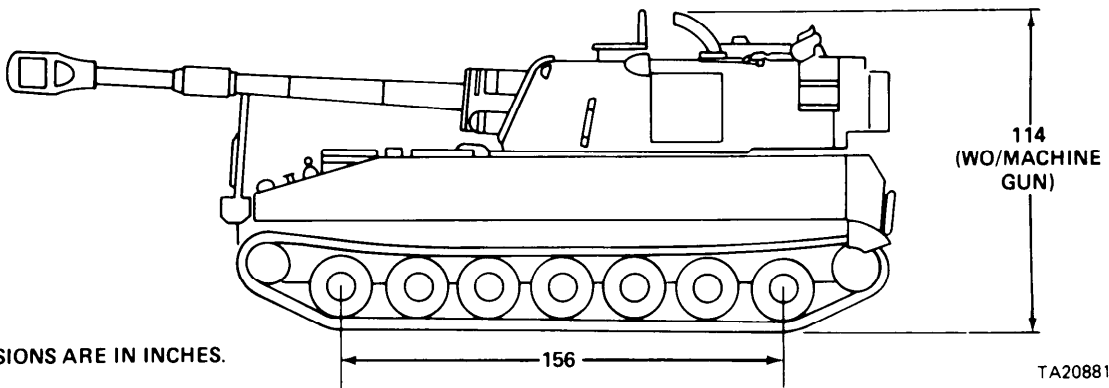
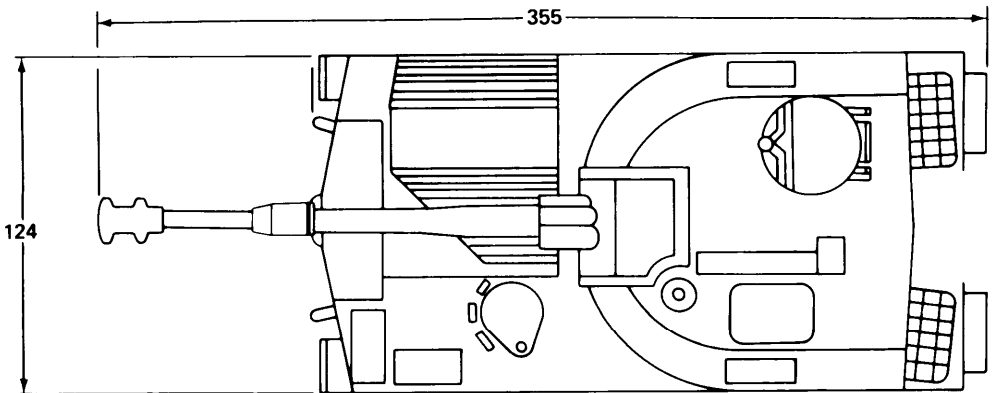
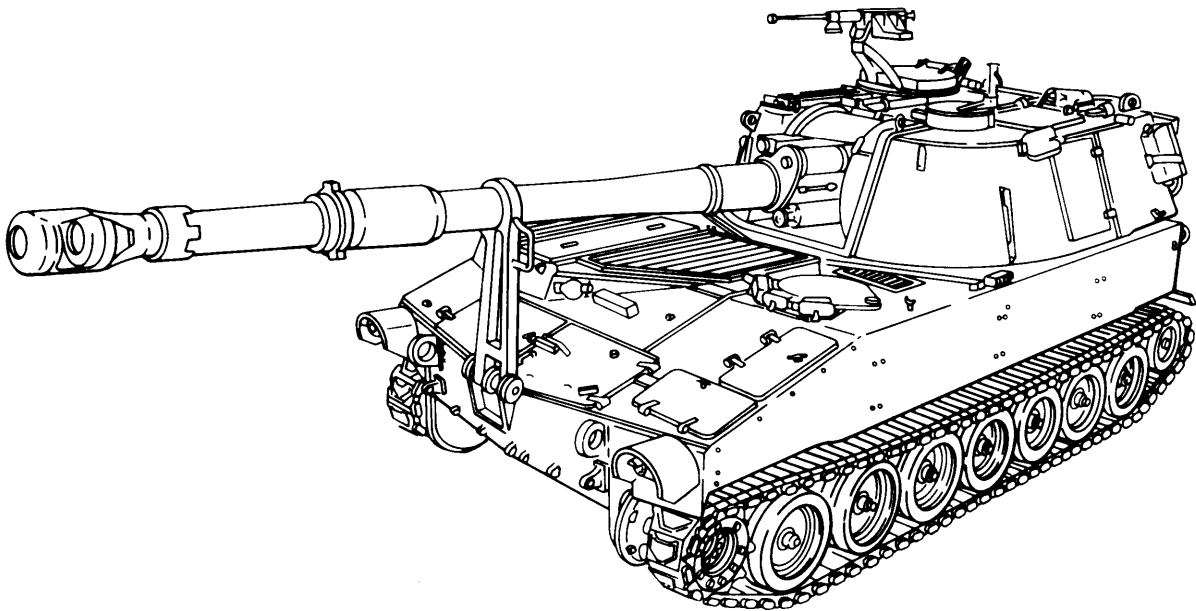
Sighting & Fire Control: M45 Periscope (Drivers), M27 Periscope (COMDRS), M42 Offset Periscope, Panoramic Telescope W/Mount, Direct Fire Telescope, Elevation Quadrant, Aiming Reference Collimator

SHIPPING DATA

Weight: 47,000 lb

Cube: 2,250 cu ft

Ground Clearance: 18 in



NOTE:
ALL DIMENSIONS ARE IN INCHES.

TA208819

PURPOSE:**GENERAL INFORMATION**

Nomenclature: HOWITZER, MEDIUM, SELF-
PROPELLED: 155 MM Gun, Long Tube

Model Number: M109A2/A3

NSN: 2350-01-031-8851

LIN: K57667

SSN:

TM: 9-2350-217-Series

CHARACTERISTICS

Engine: Detroit Diesel, 8V71T

Type: Diesel, liquid cooled, V-8

Horsepower: 405 bhp @ 2,300 rpm

Transmission: Allison, XTG-411-2A

Type: Cross drive

Ranges: Fwd 4, Rev 2

Electrical System: 24 Volt

Brakes: Mechanical

PERFORMANCE DATA

Fording Depth: 42 in

Approach Angle: 70 Degrees

Maximum Grade Ability: 60 percent

Maximum Vertical Obstacle: 21 in

Maximum Width of Ditch: 72 in

Allowable Speed: 35 mph

Cruising Range: 217 miles

Ground Pressure: 11.70 psi

VEHICLE DATA

Type Classification & Date: A2, Nov 1975
A3, Jan 1978

Life Expectancy:

Payload:

Air Transportability: C5

EQUIPMENT OPTIONS

Armament: 155 mm Cannon, Cal .50 MG

Ammunition: 155 mm, 28 rounds; Cal .50; 500 rounds

Communications: Intercom set W/Outlets

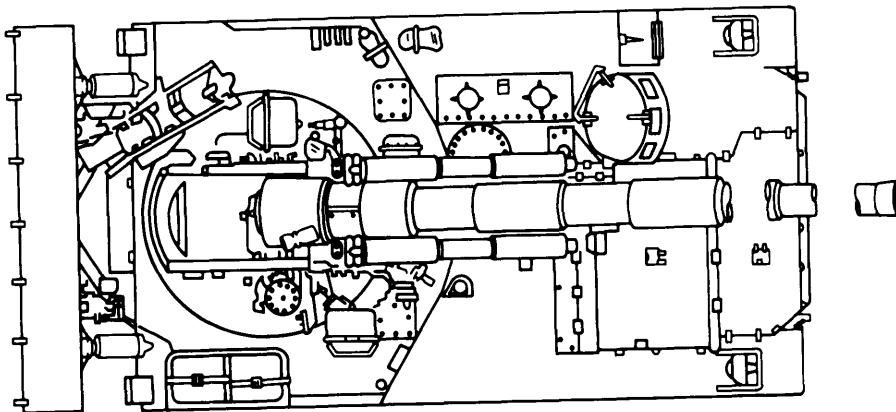
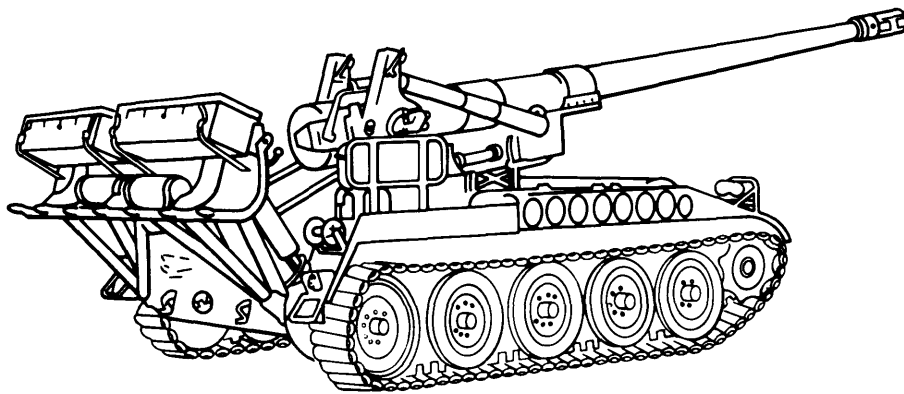
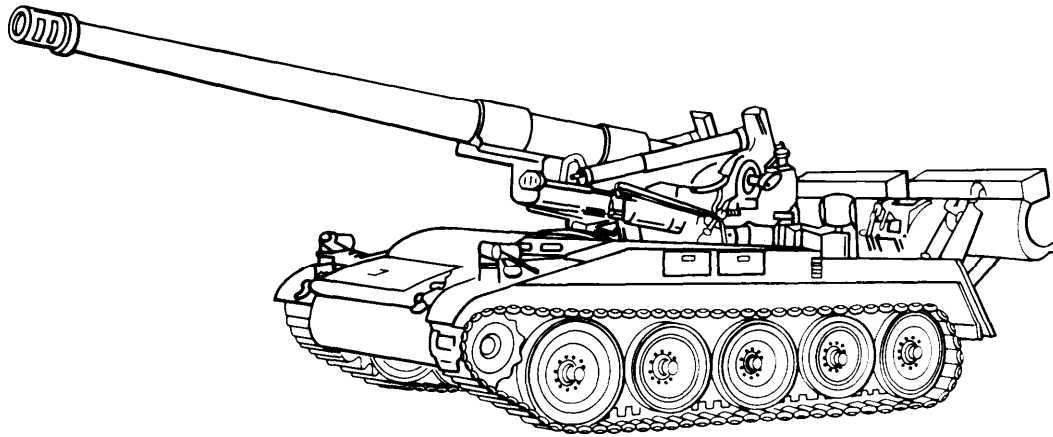
Sighting & Fire Control: Periscopes
W/Mounts, Telescopes W/Mounts,
Elevation Quadrant, Infinity Aiming
Reference Collimator

SHIPPING DATA

Weight: 54,500 lb (Combat Loaded)

Cube: 2,250 cu ft

Ground Clearance: 18 in



TA209217

PURPOSE:**GENERAL INFORMATION**

Nomenclature: HOWITZER, HEAVY, SELF-PROPELLED: Full Tracked, 8 inch

Model Number: M110A2

NSN: 2350-01-041-4590

LIN: Q56981

SSN: G295

TM: 9-2350-304-Series

CHARACTERISTICS

Engine: Detroit Diesel, 8V71T

Type: Diesel, two cycle, liquid cooled, V-8

Horsepower: 405 bhp @ 2,300 rpm

Transmission: Allison, XTG-411-2A

Type: Single stage, Gear steer

Ranges: Fwd 4, Rev 2

Electrical System: 24 Volt

Brakes: Mechanical

PERFORMANCE DATA

Fording Depth: 42 in

Approach Angle: 30 Degrees

Maximum Grade Ability: 60 percent

Maximum Vertical Obstacle: 40 in

Maximum Width of Ditch: 93 in

Allowable Speed: 34 mph

Cruising Range: 325 miles

Ground Pressure: 11.6 psi

VEHICLE DATA

Type Classification & Date: Std A, 1980

Life Expectancy: 15 Years

Payload: N/A

Air Transportability: C5A

EQUIPMENT OPTIONS

Armament: 8 in. (203 mm) Howitzer

Ammunition: 2-8 in rounds

Communications: Intercom set and/or Interphone controls

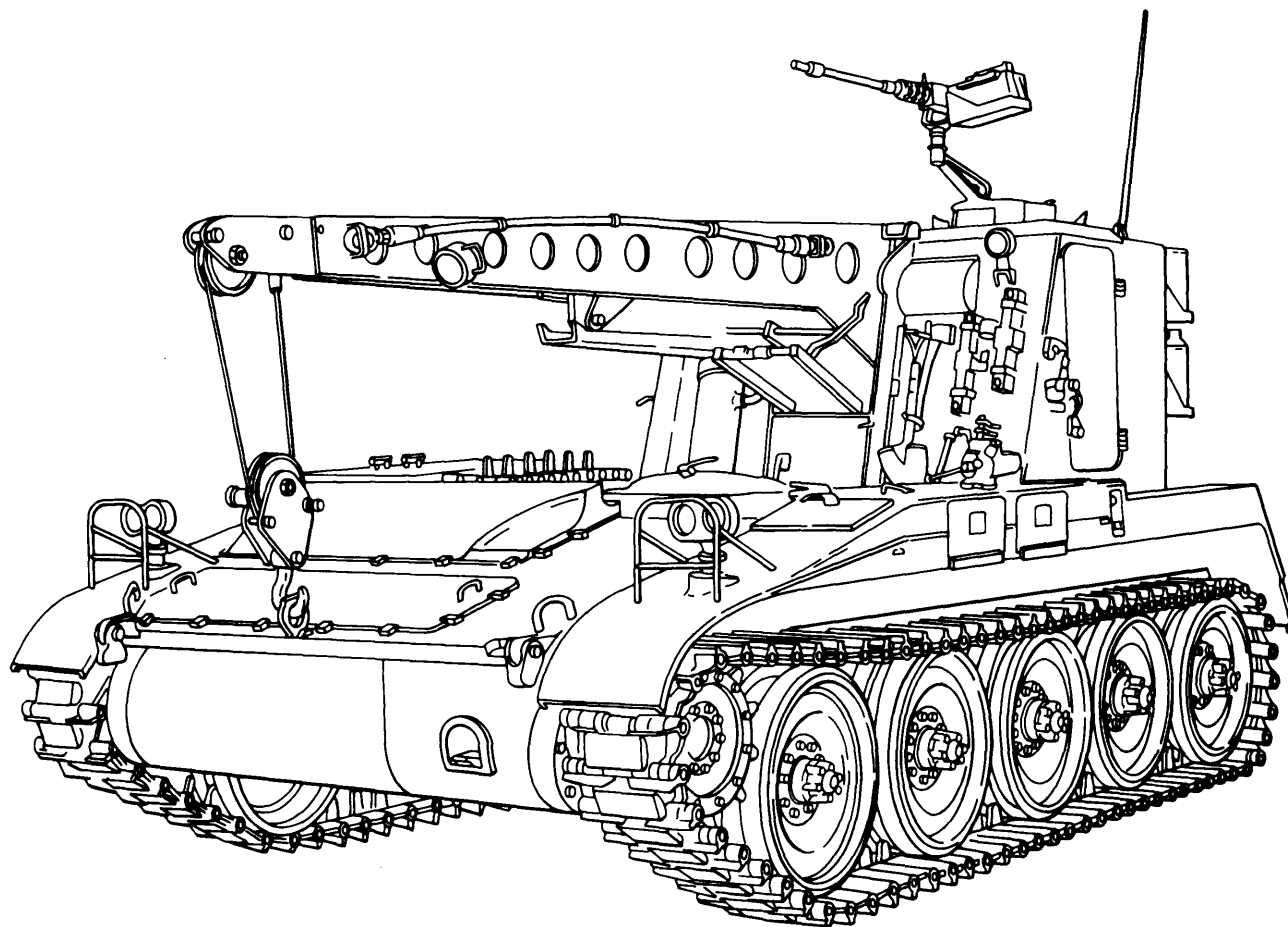
Sighting & Fire Control: M1A1 Collimator, M1A2 Aiming Post W/Lights M14, M139 Telescope, M115 Panoramic Telescope, M15 Elevation Quadrant, M17 Periscope

SHIPPING DATA

Weight:

Cube:

Ground Clearance:



TA208775

PURPOSE:**GENERAL INFORMATION**

Nomenclature: RECOVERY VEHICLE,
FULL TRACKED: Light, Armored

Model Number: M578

NSN: 2350-00-439-6242

LIN: R50543

SSN: G309

TM: 9-2350-238-Series

CHARACTERISTICS

Engine: Detroit Diesel, 8V71T

Type: Diesel, two cycle, liquid
cooled, V-8

Horsepower: 405 bhp @ 2,300 rpm

Transmission: Allison, XTG-411-2A

Type: Cross drive

Ranges: Fwd 4, Rev 2

Electrical System: 24 Volt

Brakes: Mechanical

PERFORMANCE DATA

Fording Depth: 42 in

Approach Angle: 30 Degrees

Maximum Grade Ability: 60 percent

Maximum Vertical Obstacle: 40 in

Maximum Width of Ditch: 93 in

Allowable Speed: 34 mph

Cruising Range: 450 miles

Ground Pressure: 10.1 psi

VEHICLE DATA

Type Classification & Date: Std A, 1962

Life Expectancy: 15 Years

Rated Towed Load: 50,000 lb

Hoist Winch Capacity - Full Drum:
150,000 lb

Tow Winch Capacity - Bare Drum: 60,000 lb

Air Transportability:

EQUIPMENT OPTIONS

Armament: 7.62 mm M14 Rifle, Cal .50 MG

Ammunition: 7.62 mm, 450 rounds; 500
rounds, MG .50 Cal M2

Communications: Radio Set VRC-13-14-
or 15; Radio Set AN/VRC-46 W/Intercom

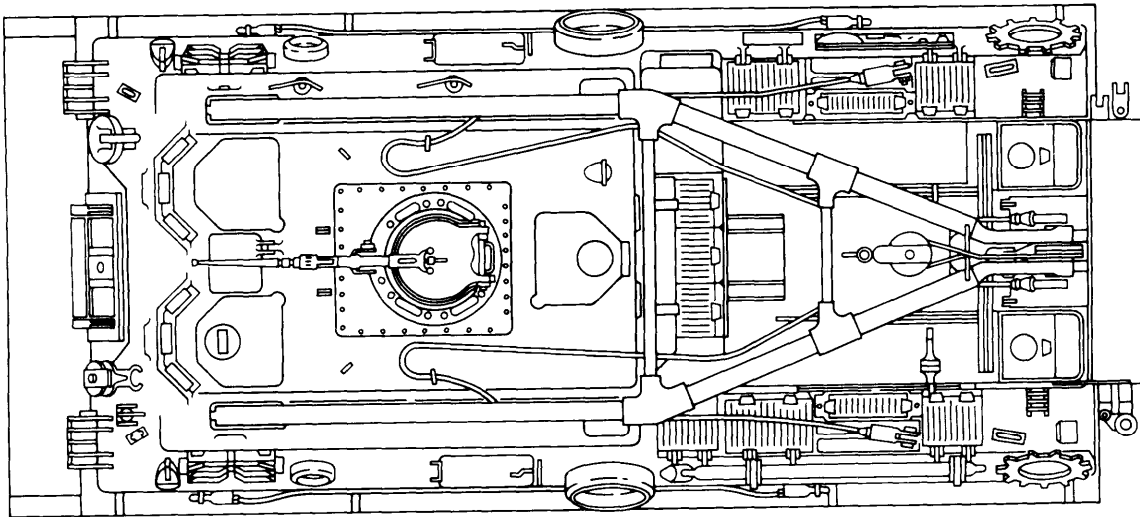
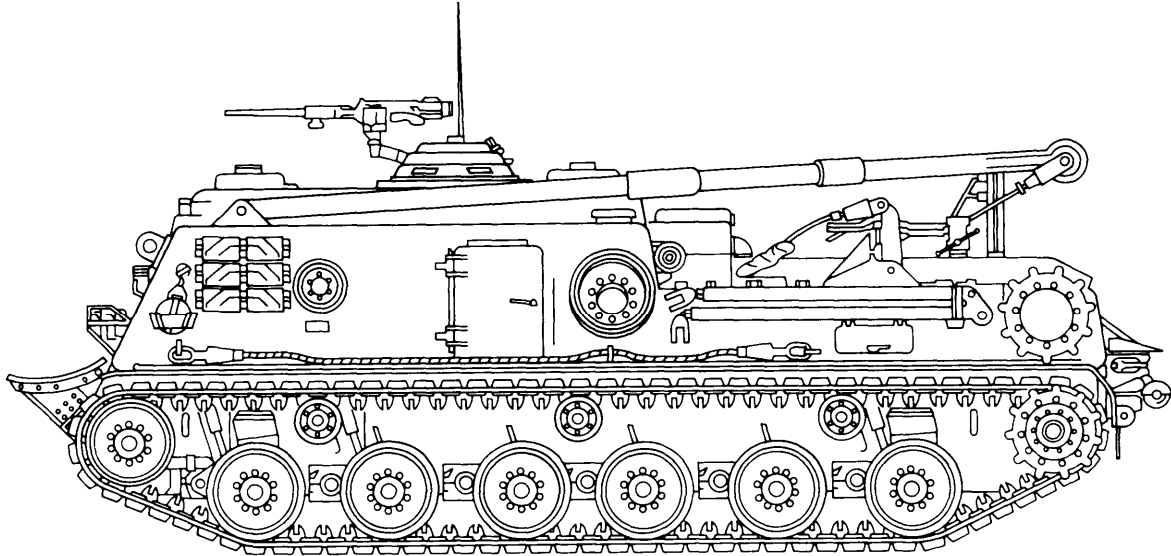
SHIPPING DATA

Weight: 47,000 lb

Weight (fully equipped): 54,000 lb

Cube: 2,070 cu ft

Ground Clearance: 17.38 in



GENERAL INFORMATION

Nomenclature: RECOVERY VEHICLE,
FULL TRACKED: Medium

Model Number: M88A1

NSN: 2350-00-122-6826

LIN: R50681

SSN: G82500

TM: 9-2350-256-Series

CHARACTERISTICS

Engine: Continental, AVDS-1790-2DR

Type: Diesel, Air Cooled, V-12

Horsepower: 750 bhp @ 2400 rpm

Transmission: Allison, XT-1410-9

Type: Cross Drive

Ranges: 3 fwd 1 rev

Electrical System: 24 Volt

Brakes: Wet Plate, Multiple, Mechanical

TA208770

PURPOSE: Used for hoisting, winching and towing operations for tanks and other vehicles.

PERFORMANCE DATA

Fording Depth: 56 in, 102 in W/Kit
 Approach Angle:
 Maximum Grade Ability: 60 percent
 Maximum Vertical Obstacle: 42 in
 Maximum Width of Ditch: 103 in
 Allowable Speed: 26 mph
 Cruising Range: 300 miles
 Ground Pressure: 10.9 psi

VEHICLE DATA

Type Classification & Date: Std A, 1971
 Life Expectancy:
 Payload: 90,000 lb (Towed load)
 Air Transportability:

RECOVERY EQUIPMENT

Boom Capacity:
 Spade up, 4 Part line, 5 tons (4.5 m/Tons)
 Spade up, 4 Part line, W/LO 20 Tons
 (18.1 m/Tons)
 Spade down, 4 Part line, 25 tons (22.7 m/Tons) Weight: 105,000 lb
 Boom Lift Height (Maximum):
 At 8 ft (2.44 m) Reach 19 ft (5.8 m)
 At 4 ft (1.22 m) Reach 25 ft (7.6 m)

RECOVERY EQUIPMENT - Continued

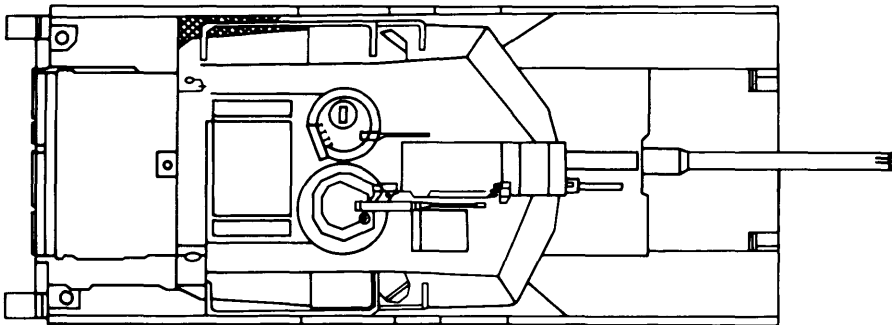
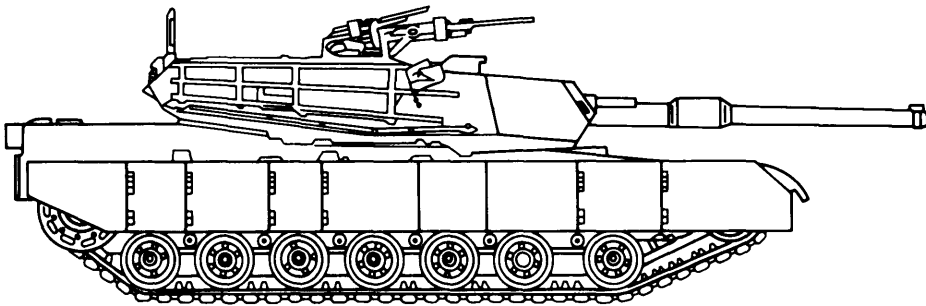
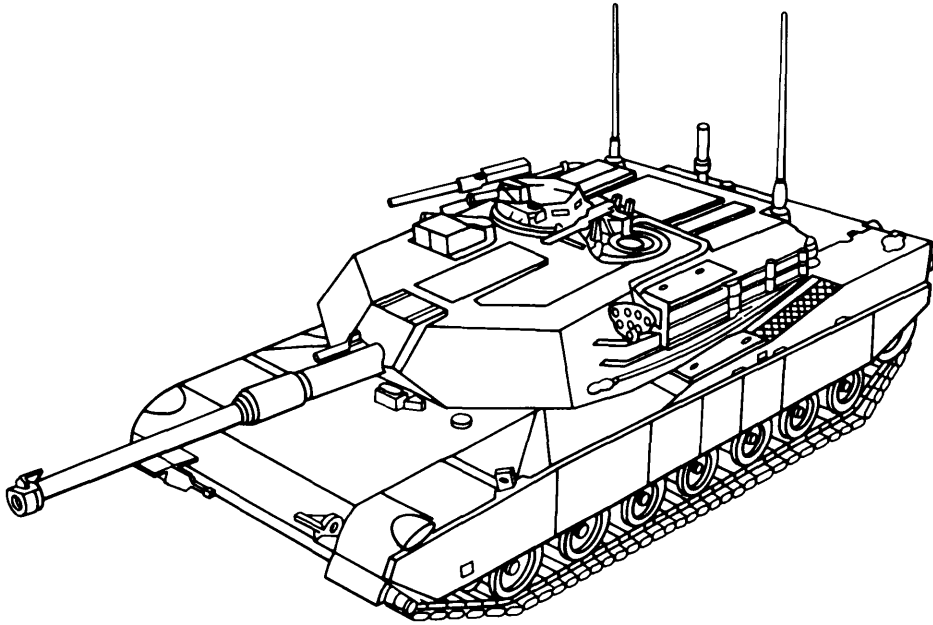
Hoist Winch (Cable Size):
 5/8 in (1.6 cm) Dia, 200 ft (61 m) long
 Line Pull and Speed (4 Part Line):
 Bare Drum -50,000 lb (22,680 kg) at
 9.0 fpm (2.7 m/min)
 Full Drum -30,000 lb (13,608 kg) at
 13.0 fpm
 Main Winch (Cable Size):
 1 1/4 in (3.2 cm) Dia, 200 ft (61 m) long
 Line Pull and Speed:
 Bare Drum -90,000 lb (40,825 kg) at
 20 fpm (6.0 m/min)
 Full Drum -51,400 lb (23,315 kg) at
 42 fpm (12.8 m/min)

COMMUNICATION EQUIPMENT

Army: AN/GRC-125 or -160, AN/VRC-46 or
 -53, or -64
 USMC: AN/VRC-44, Army/USMC with
 AN/VIC-1 (4 stations), Suppressor
 MX7778A and TSEC/KY-38 as required

SHIPPING DATA

Cube: 2,947 cu ft
 Ground Clearance: 17 in



TA209218

PURPOSE: This vehicle is employed by various Armor Units as a principal striking weapon. It is used to provide mobile protected firepower in support of combined arms teams.

GENERAL INFORMATION

Nomenclature: TANK, COMBAT, FULL
TRACKED: 105 MM Gun

Model Number: MI

NSN: 2350-01-061-2445

LIN: T11374

SSN: G82914

TM: 9-2350-255-SerieS

VEHICLE DATA

Type Classification & Date: Std S, 1981

Life Expectancy:

Payload: 8,000 lb

Air Transportability:

CHARACTERISTICS

Engine: AGT-1500C

Type: Turbine, dual compressor,
regenerative

Horsepower: 1500

Transmission: DDA, X11003B

Type: Cross drive

Ranges: Fwd 45 mph, Rev 25 mph

Electrical System: 24 Volt DC, 6 batteries

Brakes: Mechanical, hydraulic

PERFORMANCE DATA

Fording Depth: W/Kit-Turret roof
WO/Kit-48 in

Approach Angle:

Maximum Grade Ability: 60 percent,
31 Degrees

Maximum Vertical Obstacle: 49 in

Maximum Width of Ditch: 108 in

Allowable Speed: 45 mph

Cruising Range: 275-298 miles

Ground Pressure: 13.1 psi

EQUIPMENT OPTIONS

Armament: 105 mm M86; 2 M240's;
Cal .50 M2; M16; M250 Grenade Launcher

Ammunition: 105 mm, 55 Rounds; 7.62 mm,
1,400 Rounds; Cal .50, 900 Rounds;
UKL8A1-24; M67-8, 5.56 mm, 210 Rounds

Communications: Radio sets, Intercom sets

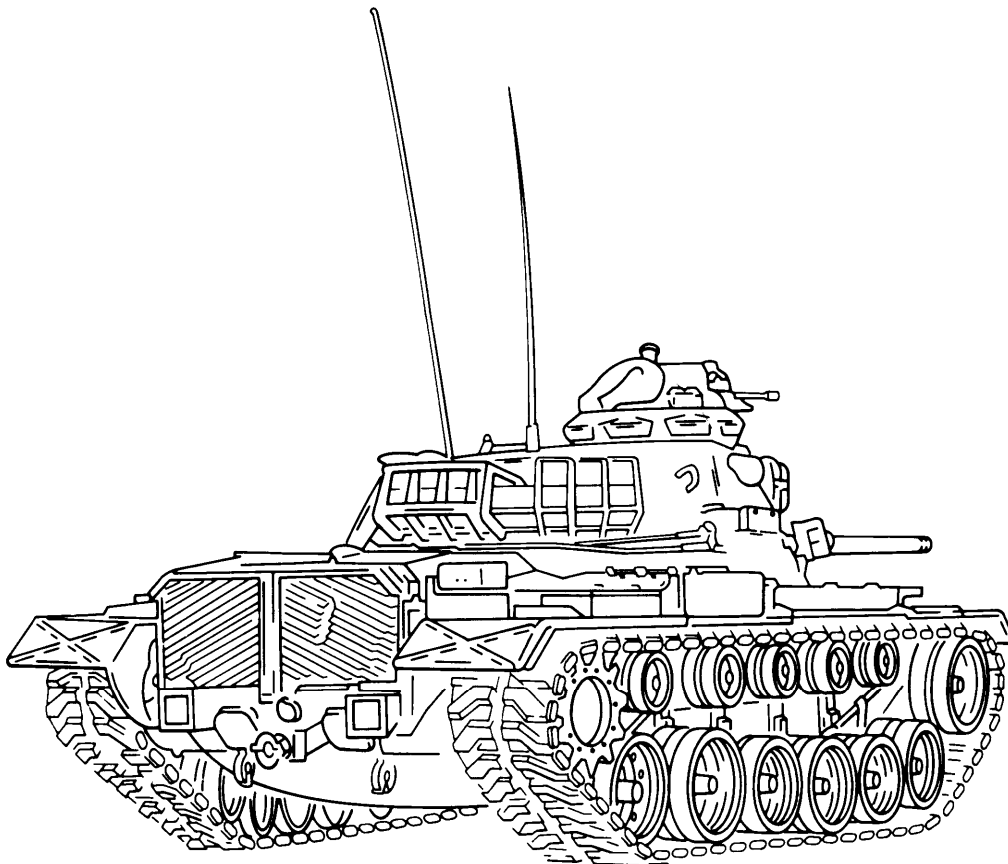
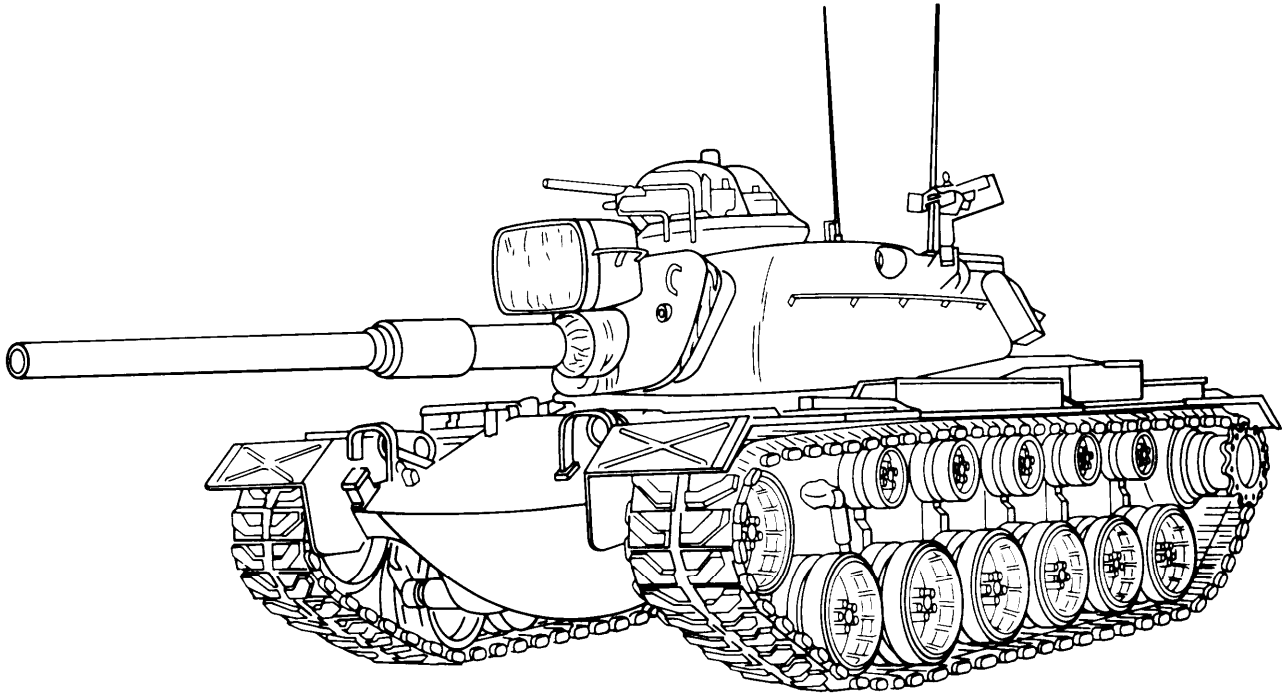
Sighting & Fire Control: Thermal Image
(Night Vision), Ballistic Computer,
Laser Rangefinder

SHIPPING DATA

Weight: 120,000 lb

Cube:

Ground Clearance: 17 in



TA208776

PURPOSE: This vehicle is employed by various Armor Units as a principal striking weapon. It is also used to provide mobile protected firepower in support of infantry.

GENERAL INFORMATION

Nomenclature: TANK, COMBAT, FULL
TRACKED: 105 MM Gun

Model Number: M48A5

NSN: 2350-01-059-1504

LIN: V13101

SSN: G8291200K00

TM: 9-2350-258-Series

CHARACTERISTICS

Engine: Continental, AVDS-1790-2A or 2D

Type: Diesel, air cooled, V-12

Horsepower: 750 bhp @ 2,400 rpm

Transmission: Allison, CD-850-6A

Type: Cross drive

Ranges: Fwd 2, Rev 1

Electrical System: 24 Volt

Brakes: Hydraulic

PERFORMANCE DATA

Fording Depth: 48 in.

Approach Angle:

Maximum Grade Ability: 60 percent

Maximum Vertical Obstacle: 36 in

Maximum Width of Ditch: 102 in

Allowable Speed: 30 mph

Cruising Range: 300 miles

Ground Pressure: 11.8 psi

VEHICLE DATA

Type Classification & Date: Std B, 1978

Life Expectancy: CY90

Payload: 56,000 lb

Air Transportability: C5A

EQUIPMENT OPTIONS

Armament: 105 mm Cannon, 7.62 mm MG,
Cal .50 MG, Cal .45 SubMG

Ammunition: 105 mm, 7.62 mm; Cal .50,
Cal .45

Communications: Check W/Armor Board

Sighting & Fire Control: Check W/Armor
Board

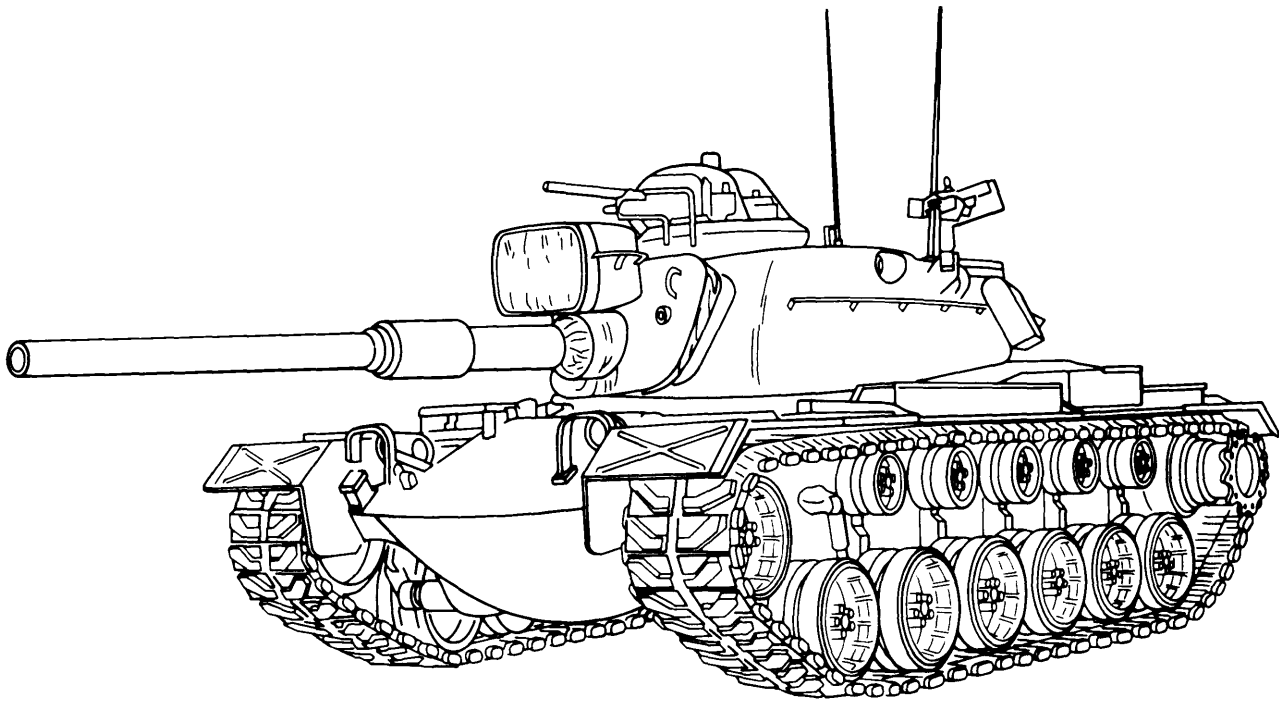
SHIPPING DATA

Weight: 100,000 lb (Unloaded)

Weight: 108,000 lb (Combat Loaded)

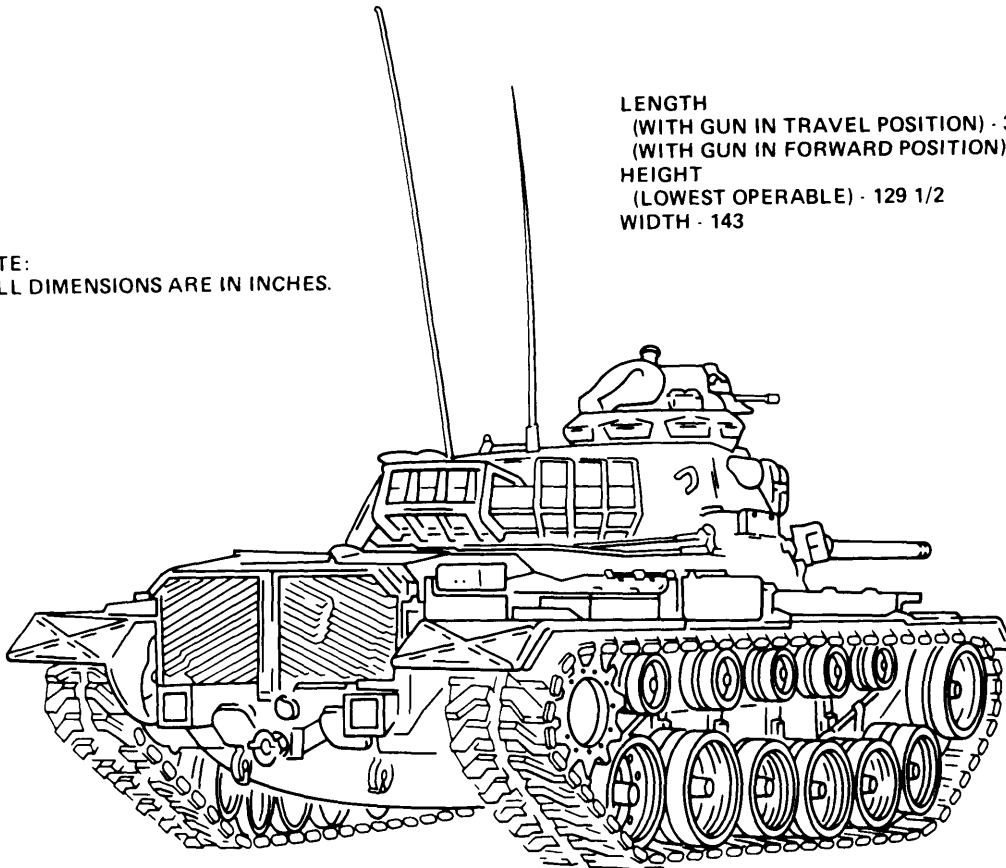
Cube: 2,720 cu ft

Ground Clearance: 16 1/2 in



LENGTH
(WITH GUN IN TRAVEL POSITION) - 325
(WITH GUN IN FORWARD POSITION) - 371 1/2
HEIGHT
(LOWEST OPERABLE) - 129 1/2
WIDTH - 143

NOTE:
ALL DIMENSIONS ARE IN INCHES.



TA209219

PURPOSE: This vehicle is employed by various Armor Units as a principal striking weapon. It is also used to provide mobile protected firepower in support of infantry.

GENERAL INFORMATION

Nomenclature: TANK, COMBAT, FULL
TRACKED: 105 MM Gun

Model Number: M48A5

NSN: 2350-00-582-5595

LIN: V13101

SSN: G8291200K00

TM: 9-2350-258-Series

CHARACTERISTICS

Engine: Continental, AVDS-1790-2A or 2D

Type: Diesel, air cooled, V-12

Horsepower: 750 bhp @ 2,400 rpm

Transmission: Allison, CD 850-6A

Type: Cross drive

Ranges: Fwd 2, Rev 1

Electrical System: 24 Volt

Brakes: Hydraulic

PERFORMANCE DATA

Fording Depth: 48 in

Approach Angle:

Maximum Grade Ability: 60 Percent

Maximum Vertical Obstacle: 36 in

Maximum Width of Ditch: 102 in

Allowable Speed: 30 mph

Cruising Range: 310 miles

Ground Pressure: 11.8 psi

VEHICLE DATA

Type Classification & Date: Std B, 1975

Life Expectancy: CY90

Payload: 56,000 lb

Air Transportability: C5A

EQUIPMENT OPTIONS

Armament: 105 mm Cannon, 7.62 mm MG,
Cal .50 MG, Cal .45 SubMG

Ammunition: 105 mm, 43 Rounds; 7.62 mm,
5,400 Rounds; Cal .50, 600 Rounds;
Cal .45, 360 Rounds

Communications: Radio sets, Intercom sets

Sighting & Fire Control: Ballistics Com-
puter and Drive, Periscopes W/Mounts,
Telescopes W/Mounts, Fire Control
Quadrants, Rangefinder, Azimuth
Indicator and Searchlight

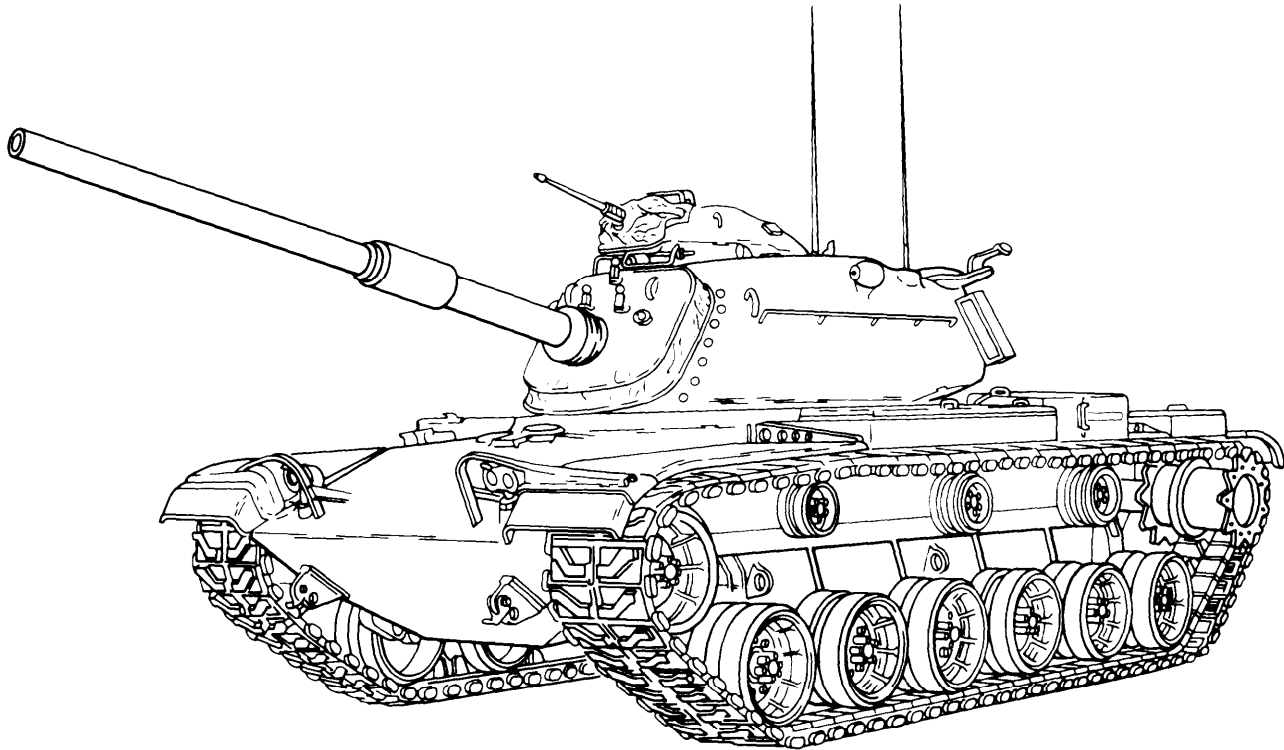
SHIPPING DATA

Weight: 100,000 lb (Unloaded)

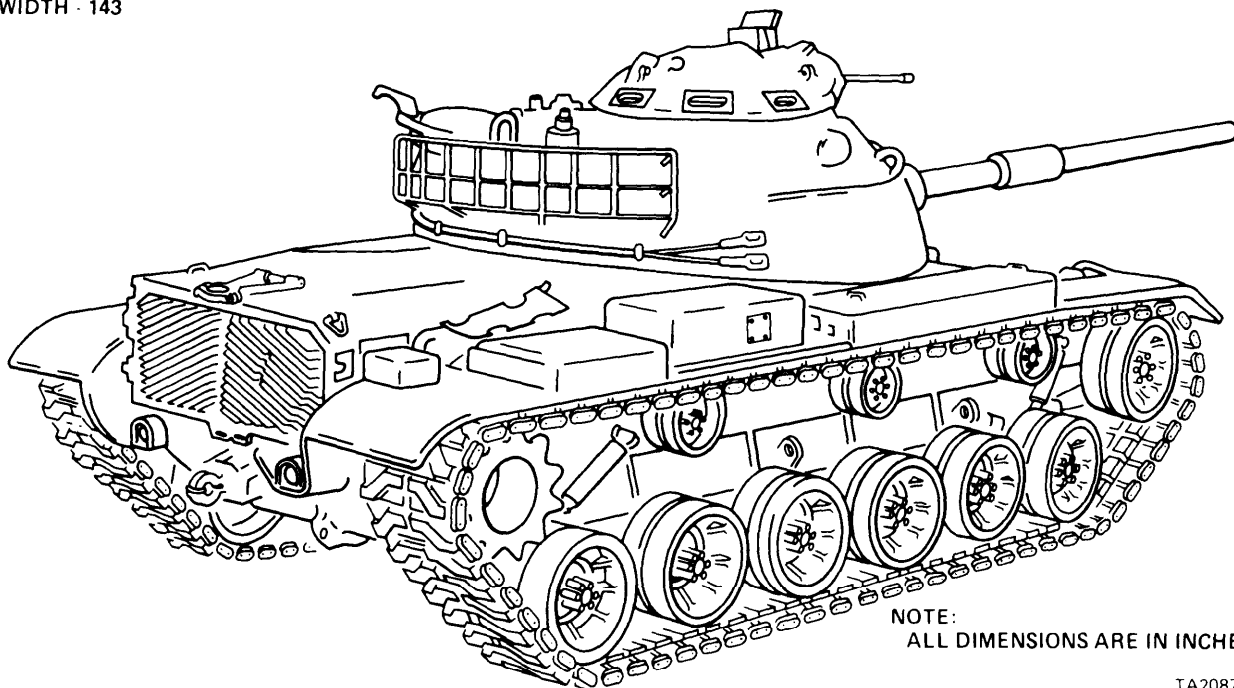
Weight: 108,000 lb (Combat Loaded)

Cube: 2,750 cu ft

Ground Clearance: 16 1/2 in



LENGTH
(WITH GUN IN TRAVEL POSITION) - 320
(WITH GUN IN FORWARD POSITION) - 366 1/2
HEIGHT
(LOWEST OPERABLE) - 126 3/16
WIDTH - 143



NOTE:
ALL DIMENSIONS ARE IN INCHES.

TA208778

PURPOSE: Battle Tank

GENERAL INFORMATION

Nomenclature: TANK, COMBAT, FULL
TRACKED: 105 MM Gun

Model Number: M60

NSN: 2350-00-678-5773

LIN: V13101

SSN: G8291200K0

TM: 9-2350-260-Series

CHARACTERISTICS

Engine: Continental, AVDS-1790-2

Type: Diesel, air cooled, V-12

Horsepower: 750 bhp @ 2,400 rpm

Transmission: Allison, CD 850-6

Type: Cross drive

Ranges: Fwd 2, Rev 1

Electrical System: 24 Volt

Brakes: Mechanical, multiple disc

PERFORMANCE DATA

Fording Depth: 48 in , 96 in W/Kit

Approach Angle:

Maximum Grade Ability: 60 percent

Maximum Vertical Obstacle: 36 in

Maximum Width of Ditch: 102 in

Allowable Speed: 30 mph

Cruising Range: 310 miles

Ground Pressure: 11.1 psi

VEHICLE DATA

Type Classification & Date: Std B, 1979

Life Expectancy: CY90

Payload: 64,000 lb

Air Transportability: C5A

EQUIPMENT OPTIONS

Armament: 105 mm Cannon, 7.62 mm MG,
Cal .50 MG, Cal .45 SubMG

Ammunition: 105 mm, 57 Rounds; 7.62 mm,
5,950 Rounds; Cal .50, 900 Rounds;
Cal .45, 360 Rounds

Communications: Radio Sets AN/GRC-3
thru 8, plus AN/VIA 4; Other
Combinations

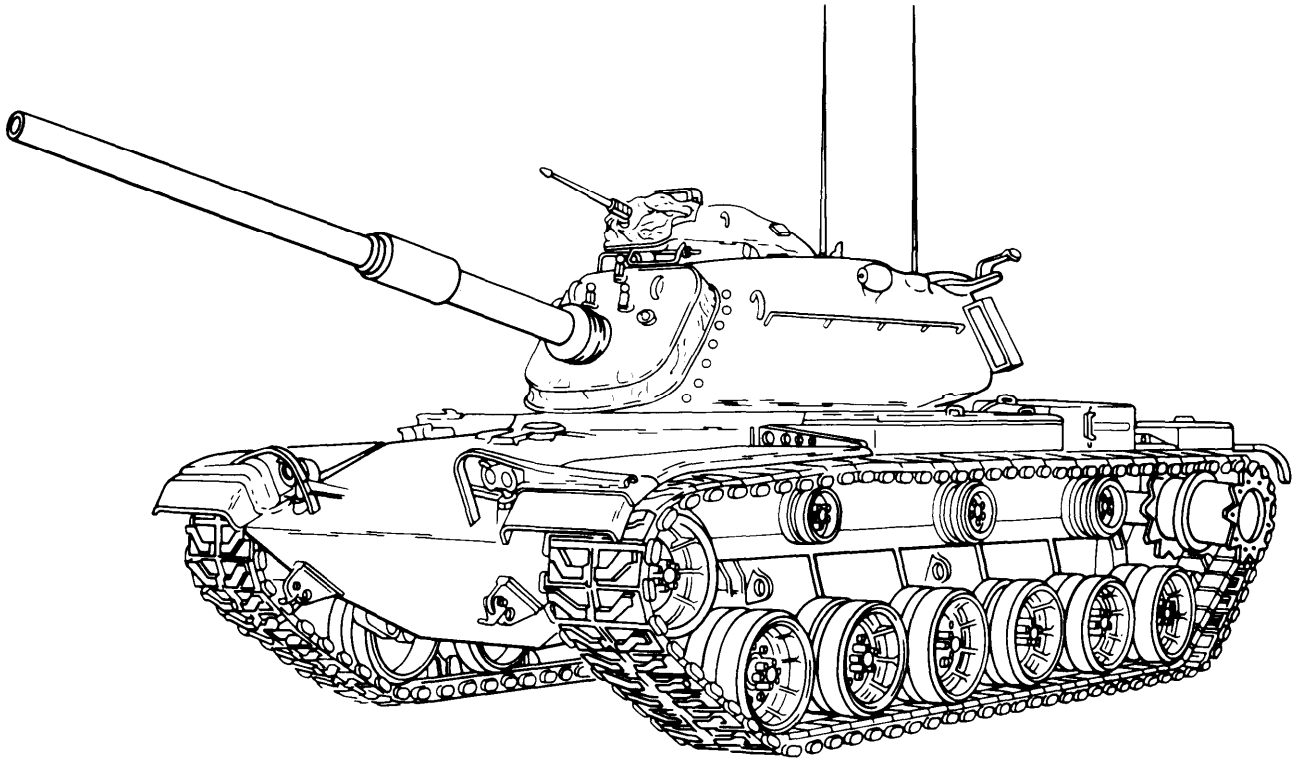
Sighting & Fire Control: Ballistics Com-
puter and Drive, Periscopes W/Mounts,
Fire Control Quadrants, Telescope,
Sights, Azimuth Indicator, Fuse Setter

SHIPPING DATA

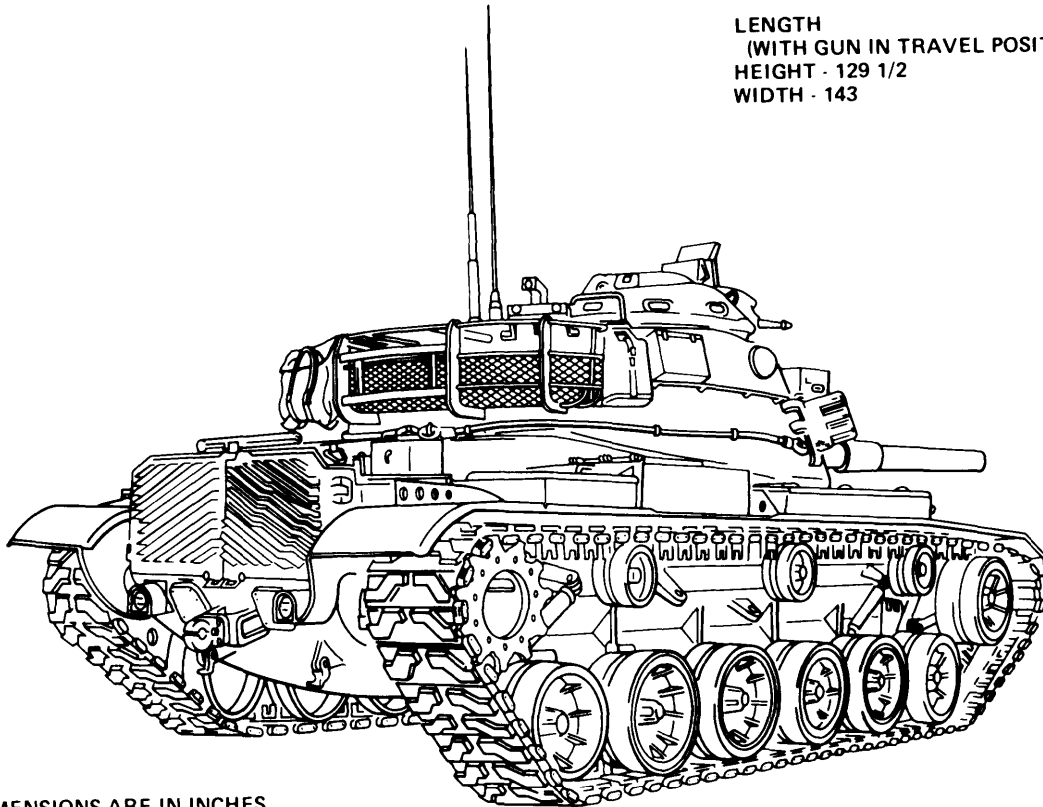
Gross Weight: 104,400 lb (Combat Loaded)

Cube: 3831 cu ft

Ground Clearance: 18 in



LENGTH
(WITH GUN IN TRAVEL POSITION) - 325
HEIGHT - 129 1/2
WIDTH - 143



NOTE:
ALL DIMENSIONS ARE IN INCHES.

TA208788

PURPOSE: This vehicle is employed by various Armor Units as a principle striking weapon. It is also used to provide mobile protected firepower in support of infantry.

GENERAL INFORMATION

Nomenclature: TANK, COMBAT, FULL
TRACKED: 105 MM Gun

Model Number: M60A1

NSN: 2350-00-756-8497

LIN: V13101

SSN: G8291200K00

TM: 9-2350-215-Series

VEHICLE DATA

Type Classification & Date: Std B, 1979

Life Expectancy: CY93

Payload: 64,000 lb

Air Transportability: C5A

CHARACTERISTICS

Engine: Continental, AVDS-1790-2A or 2D

Type: Diesel, air cooled, 90 degrees,
V-12

Horsepower: 750 bhp @ 2,400 rpm

Transmission: Allison, CD850-6A

Type: Cross drive, Single stage

Ranges: Fwd 2, Rev 1

Electrical System: 24 Volt

Brakes: Hydraulic, multiple disc

PERFORMANCE DATA

Fording Depth: 48 in , 96 in W/Kit

Approach Angle:

Maximum Grade Ability: 60 percent

Maximum Vertical Obstacle: 36 in

Maximum Width of Ditch: 102 in

Allowable Speed: 30 mph

Cruising Range: 310 miles

Ground Pressure: 11.3 psi

EQUIPMENT OPTIONS

Armament: 105 mm Cannon, 7.62 mm MG,
Cal .50 MG

Ammunition: 105 mm, 63 Rounds; 7.62 mm,
5,950 Rounds; Cal .50, 900 Rounds

Communications: Check W/Armor Board

Sighting & Fire Control: Check W/Armor
Board

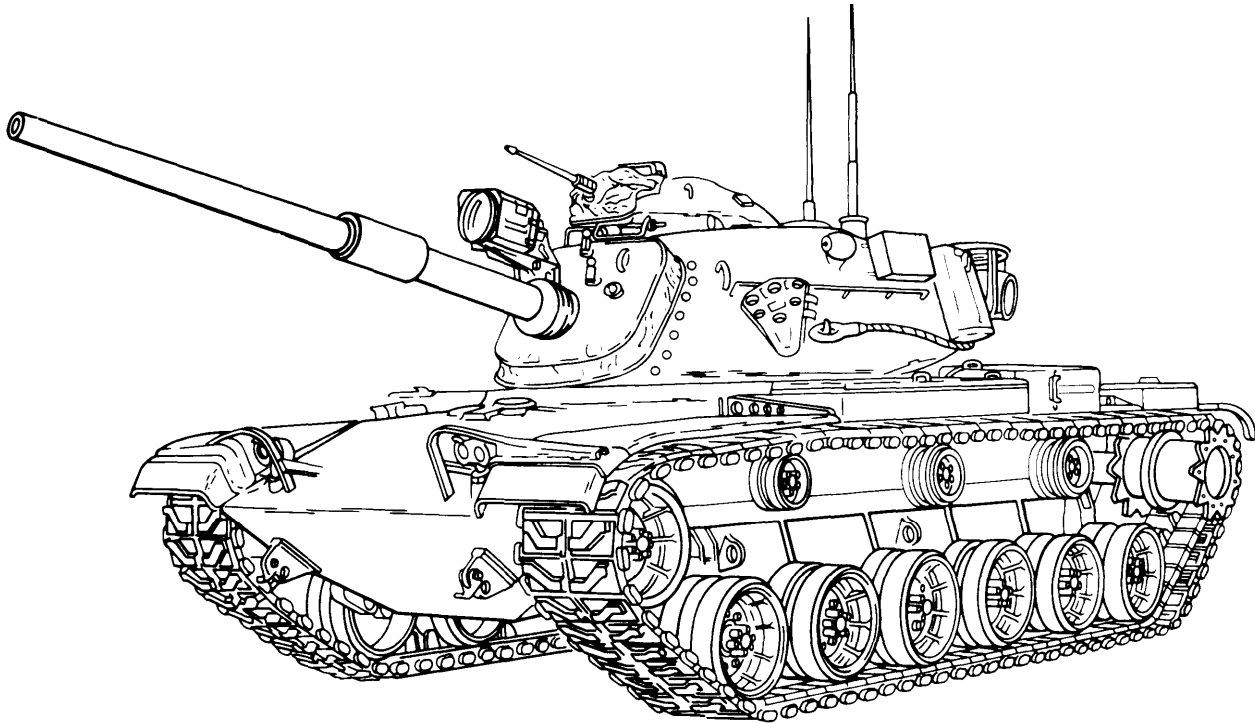
SHIPPING DATA

Weight: 100,000 lb (Unloaded)

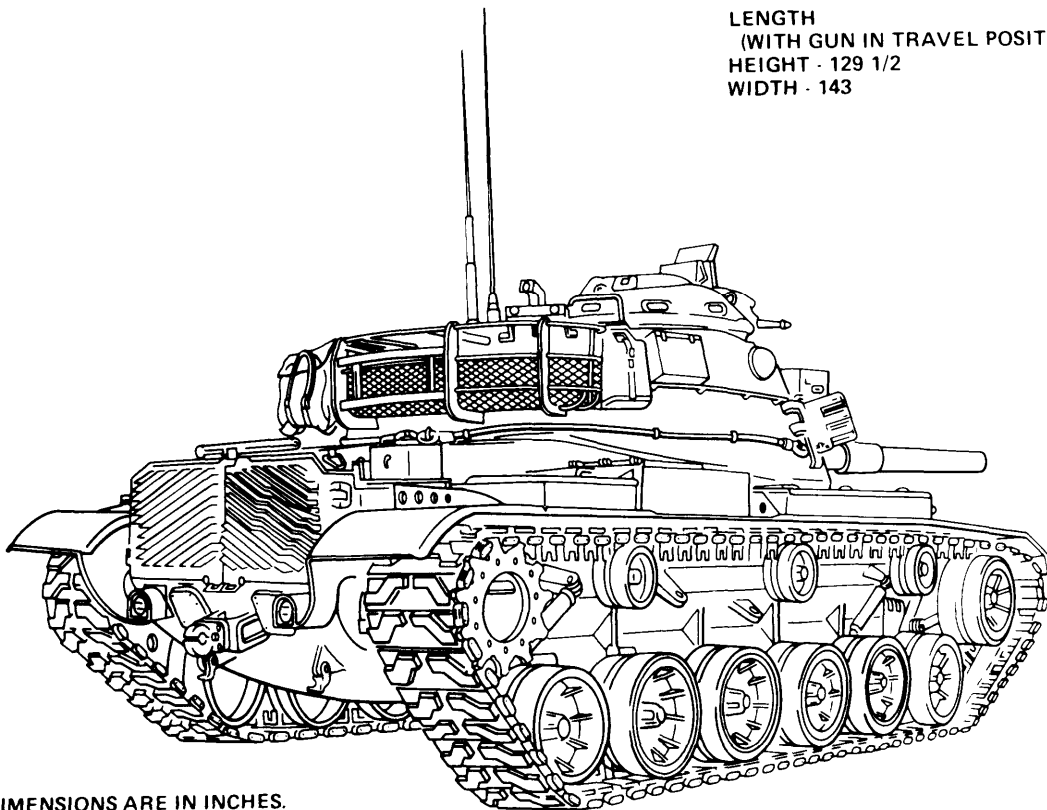
Weight: 113,200 lb (Combat Loaded)

Cube: 3,831 cu ft

Ground Clearance: 18 1/4 in



LENGTH
(WITH GUN IN TRAVEL POSITION) - 325
HEIGHT - 129 1/2
WIDTH - 143



NOTE:
ALL DIMENSIONS ARE IN INCHES.

TA208790

PURPOSE: This vehicle is employed by various Armor Units as a principal striking weapon. It is used to provide mobile protected firepower in support of infantry.

GENERAL INFORMATION

Nomenclature: TANK, COMBAT, FULL
TRACKED: 105 MM Gun

Model Number: M60A1 AOS

NSN: 2350-01-058-9487

LIN: V13101

SSN: G8291200K00

TM: 9-2350-215-Series

CHARACTERISTICS

Engine: Continental AVDS-1790-2A or 2D

Type: Diesel, air cooled, V-12

Horsepower: 750 bhp @ 2,400 rpm

Transmission: Allison, CD-850-6A

Type: Cross drive, Single stage

Ranges: Fwd 2, Rev 1

Electrical System: 24 Volt

Brakes: Hydraulic

PERFORMANCE DATA

Fording Depth: 48 in

Approach Angle:

Maximum Grade Ability: 60 percent

Maximum Vertical Obstacle: 36 in

Maximum Width of Ditch: 102 in

Allowable Speed: 30 mph

Cruising Range: 310 miles

Ground Pressure: 11.3 psi

VEHICLE DATA

Type Classification & Date: Std B, 1978

Life Expectancy: CY93

Payload: 64,000 lb

Air Transportability: C5A

EQUIPMENT OPTIONS

Armament: 105 mm Cannon, 7.62-mm MG,
Cal .50 MG, Cal .45 SubMG

Ammunition: 105 mm, 63 Rounds; 7.62 mm,
6,000 Rounds, Cal .50, 900 Rounds;
Cal .45, 360 Rounds

Communications: AN/VRC-12, -46, -53 or
64 plus Interphone set

Sighting & Fire Control: Ballistic Computer
and Drive, Fire Control Quadrants, Azi-
muth Indicator, Rangefinder, Peri-
scopes W/Mounts, Telescopes W/Mounts

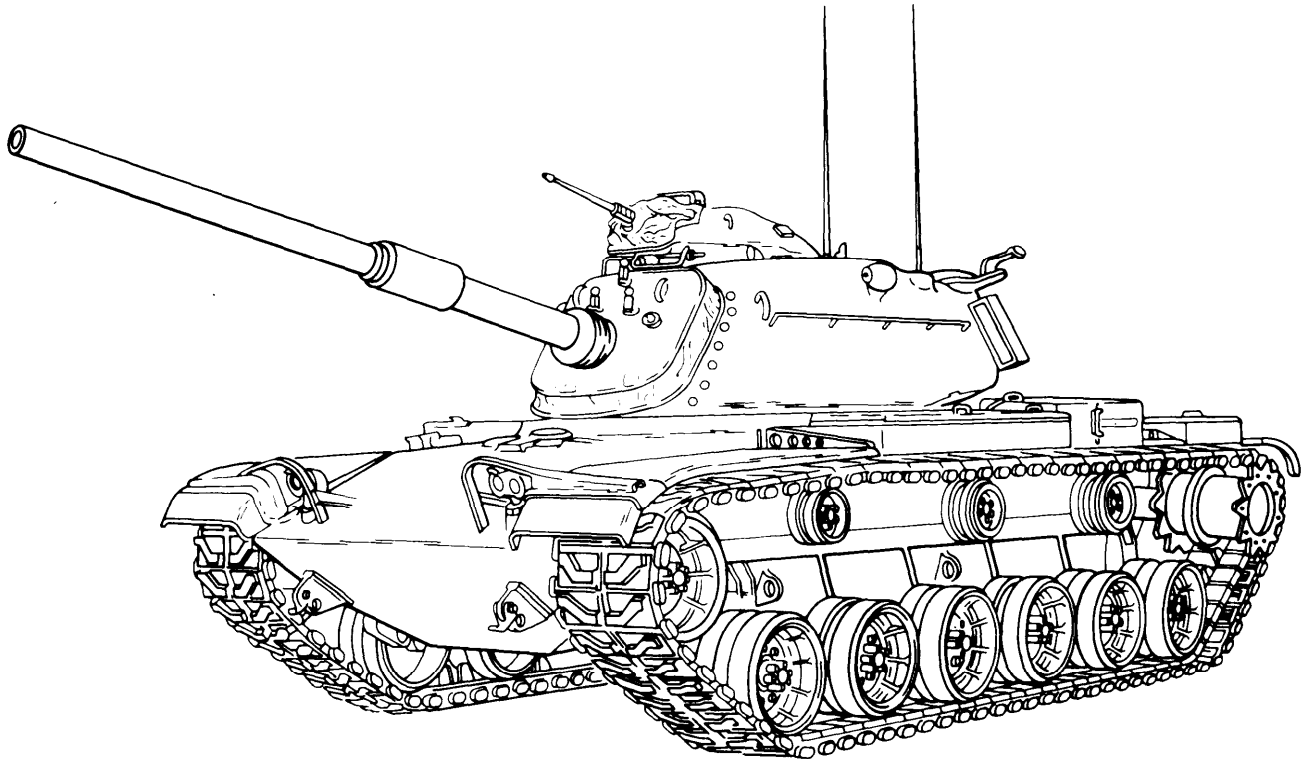
SHIPPING DATA

Weight: 100,000 lb (Unloaded)

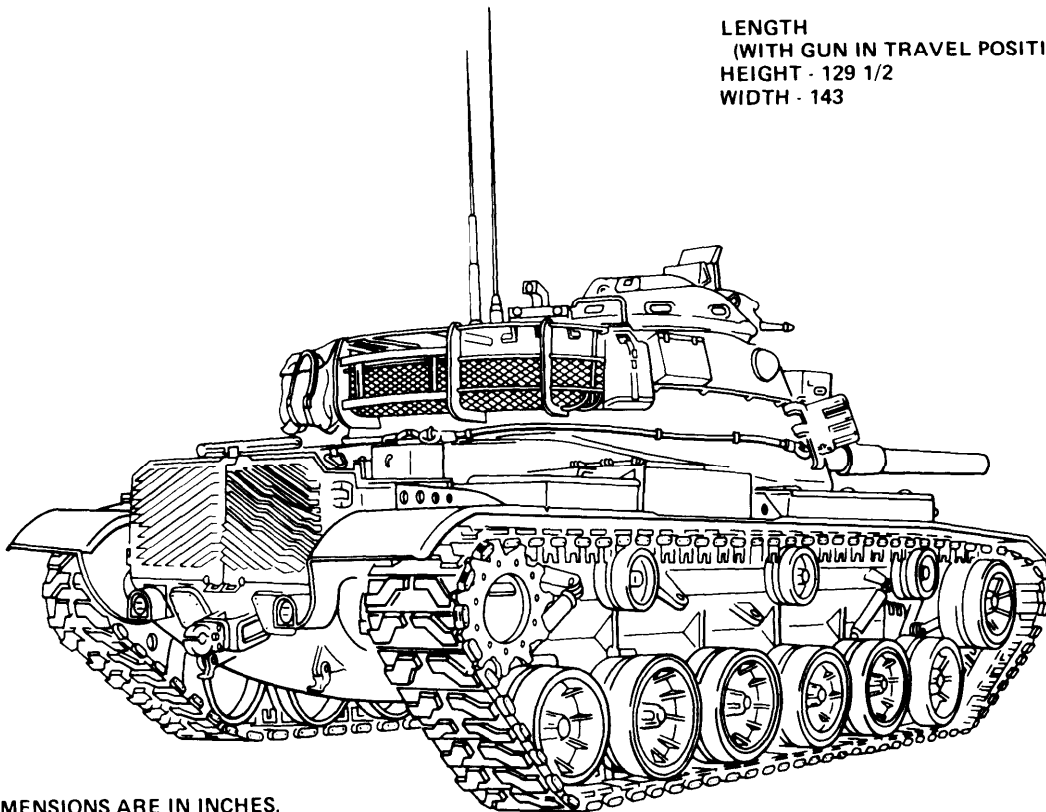
Weight: 113,200 lb (Combat Loaded)

Cube: 3,831 cu ft

Ground Clearance: 18 in



LENGTH
(WITH GUN IN TRAVEL POSITION) - 325
HEIGHT - 129 1/2
WIDTH - 143



NOTE:
ALL DIMENSIONS ARE IN INCHES.

TA208789

PURPOSE: This vehicle is employed by various Armor Units as a principal striking weapon. It is also used to provide mobile protected firepower in support of infantry.

GENERAL INFORMATION

Nomenclature: TANK, COMBAT, FULL TRACKED: 105 MM **Gun**, Rise Passive

Model Number: M60A1 R/PE

NSN: 2350-01-059-1503

LIN: V13101

SSN: G8291200K00

TM: 9-2350-257-Series

CHARACTERISTICS

Engine: Continental, AVDS-1790-20

Type: Diesel, air cooled, V-12

Horsepower: 750 bhp @ 2,400 rpm

Transmission: Allison, CD-850-6A

Type: Cross drive, Single stage

Ranges: Fwd 2, Rev 1

Electrical System: 24 Volt

Brakes: Hydraulic

PERFORMANCE DATA

Fording Depth: 48 in , 96 in W/Kit

Approach Angle:

Maximum Grade Ability: 60 percent

Maximum Vertical Obstacle: 36 in

Maximum Width of Ditch: 102 in

Allowable Speed: 30 mph

Cruising Range: 300 miles

Ground Pressure: 11.3 psi

VEHICLE DATA

Type Classification & Date: Std A, 1978

Life Expectancy: CY93

Payload: 64,000 lb (Towed load)

Air Transportability: C5A

EQUIPMENT OPTIONS

Armament: 105 mm Cannon, 7.62 mm MG, Cal .50 MG, Cal .45 SubMG

Ammunition: 105 mm, 63 Rounds; 7.62 mm, 5,950 Rounds, Cal .50, 900 Rounds, Cal .45, 360 Rounds

Communications: Radio Sets, Intercom Sets AN/VRC-12, 46, 47 or AN/PRC-25

Sighting & Fire Control: Ballistics Computer and Drive, Fuse Setter, Azimuth Indicator, Periscopes W/Mounts, Telescopes W/Mounts, Fire Control Quadrants, Rangefinder

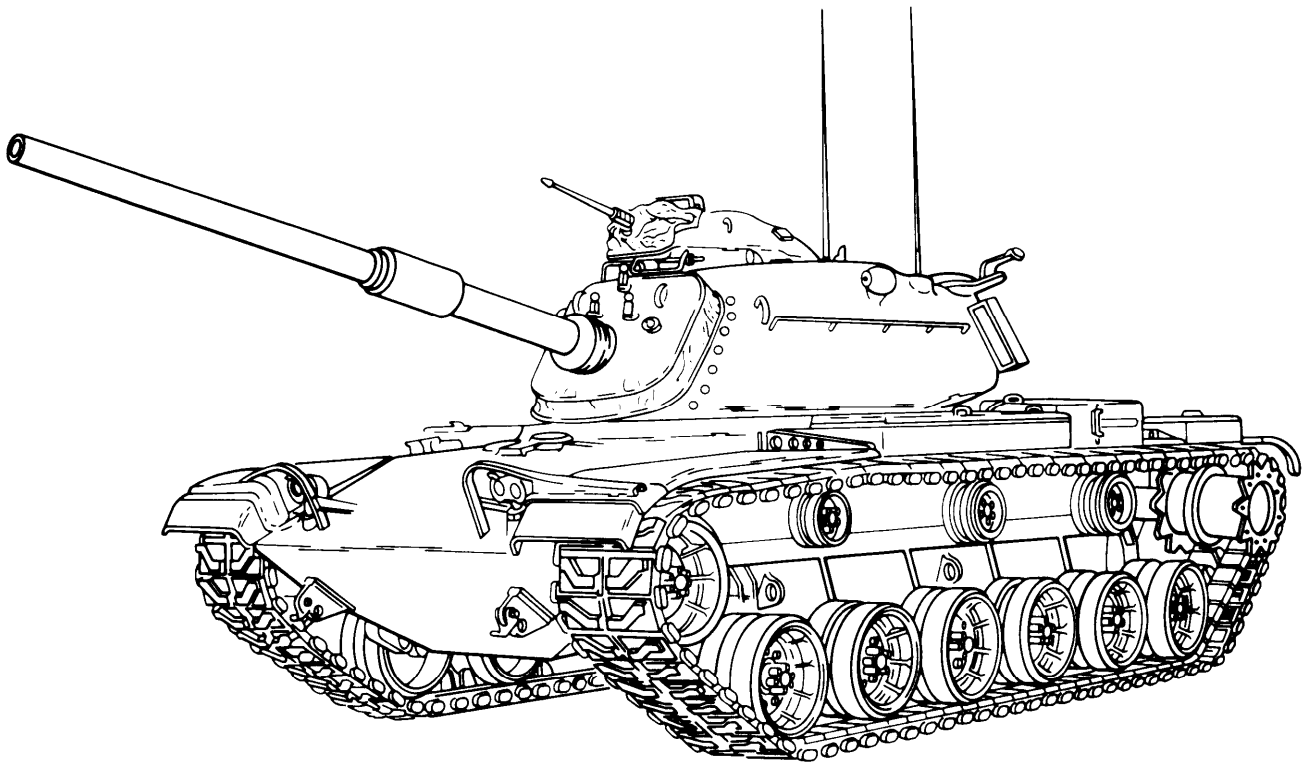
SHIPPING DATA

Weight: 100,000 lb (Unloaded)

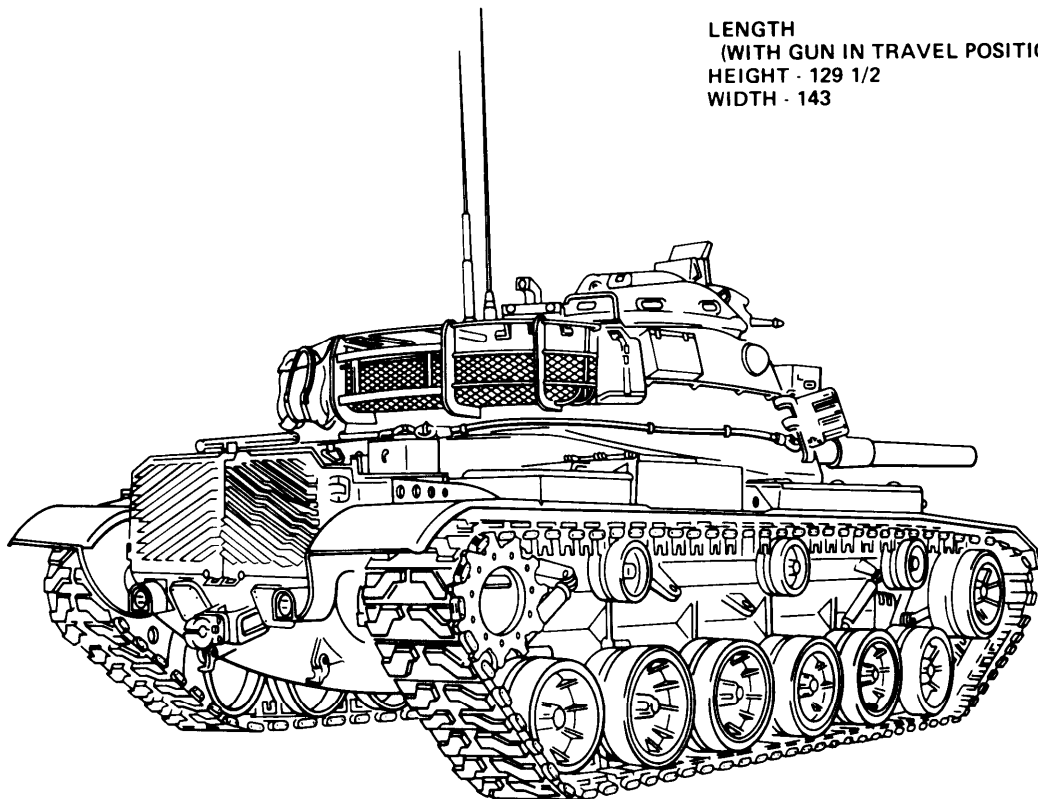
Weight: 113,200 lb (Combat Loaded)

Cube: 3,846.6 cu ft

Ground Clearance: 18 1/4 in



LENGTH
(WITH GUN IN TRAVEL POSITION) - 325
HEIGHT - 129 1/2
WIDTH - 143



NOTE:
ALL DIMENSIONS ARE IN INCHES.

TA208787

PURPOSE: This vehicle is employed by various Armor Units as a principal striking weapon. It is also used to provide mobile protected firepower in support of infantry.

GENERAL INFORMATION

Nomenclature: TANK, COMBAT, FULL
TRACKED: 105 MM Gun

Model Number: M60A1 RISE

NSN: 2350-00-116-9765

LIN: V13101

SSN: G8291200K00

TM: 9-2350-257-Series

CHARACTERISTICS

Engine: Continental, AVDS-1790-2C

Type: Diesel, air cooled, V-12

Horsepower: 750 bhp @ 2,400 rpm

Transmission: Allison, CD-850-6A

Type: Cross drive

Ranges: Fwd 2, Rev 1

Electrical System: 24 Volt

Brakes: Hydraulic

PERFORMANCE DATA

Fording Depth: 48 in , 96 in W/Kit

Approach Angle:

Maximum Grade Ability: 60 percent

Maximum Vertical Obstacle: 36 in

Maximum Width of Ditch: 102 in

Allowable Speed: 30 mph

Cruising Range: 300 miles

Ground Pressure: 11.3 psi

VEHICLE DATA

Type Classification & Date: Std B, 1976

Life Expectancy: CY93

Payload: 64,000 lb

Air Transportability: C5A

EQUIPMENT OPTIONS

Armament: 105 mm Cannon, 7.62 mm MG,
Cal .50 MG, Cal .45 SubMG

Ammunition: 105 mm, 7.62 mm; Cal .45

Communications: Radio sets, Intercom sets

Sighting & Fire Control: Ballistic Computer
and Drive, Fire Control Quadrants,
Azimuth Indicator, Rangefinder, Peri-
scopes W/Mounts, Telescopes W/Mounts

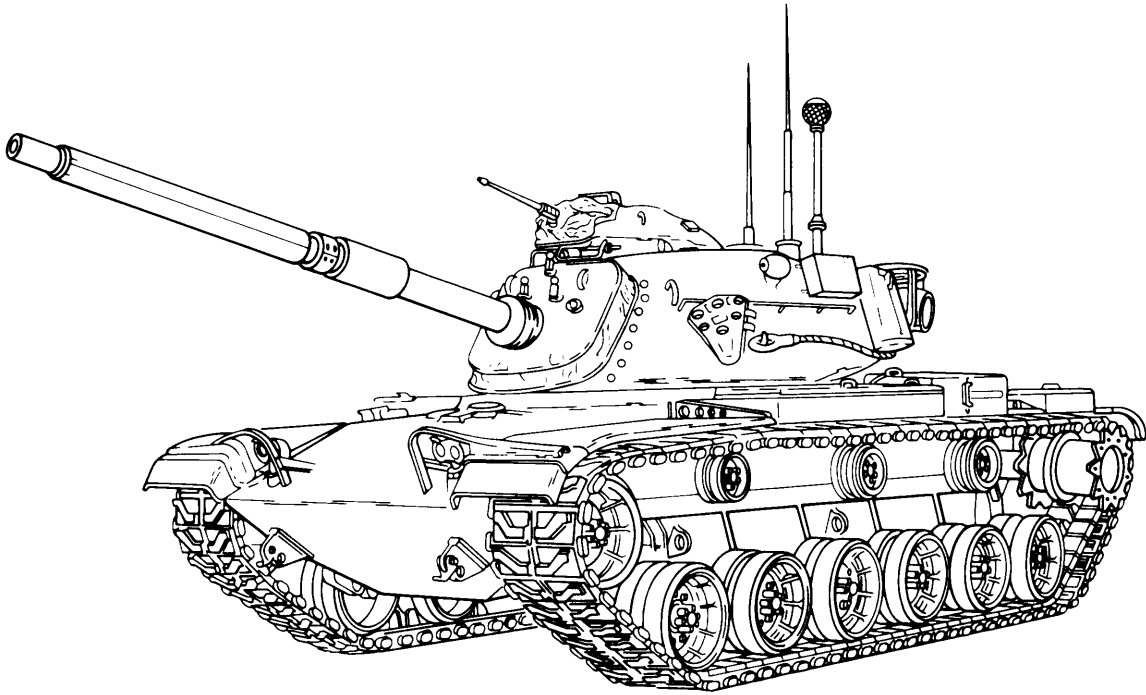
SHIPPING DATA

Weight: 100,000 lb (Unloaded)

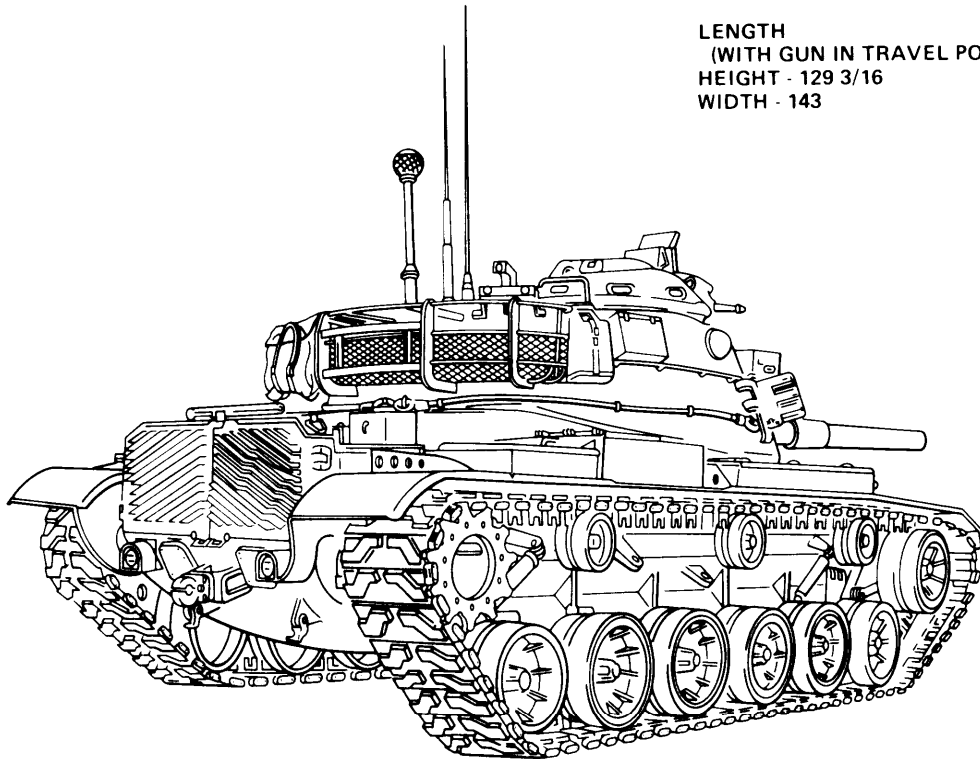
Weight: 113,200 lb (Combat Loaded)

Cube: 3,470 cu ft

Ground Clearance: 18 1/4 in



LENGTH
(WITH GUN IN TRAVEL POSITION - 325
HEIGHT - 129 3/16
WIDTH - 143



NOTE:
ALL DIMENSIONS ARE IN INCHES.

TA208765

PURPOSE: The M60A3 Tank is designed to function as one of the main assault vehicles of an Armor/Mechanized Infantry/Infantry Division. The main armament is capable of defeating enemy armored vehicles and is suitable as an assault weapon in offensive operations. The vehicle can be employed at night and under conditions of limited visibility.

GENERAL INFORMATION

Nomenclature: TANK, COMBAT, FULL
TRACKED: 105 MM Gun, W/Tank
Thermal Sight

Model Number: M60A3 TTS

NSN: 2350-01-061-2306

LIN: T13169

SSN: G 8 2 9 1 2 0 0 K 0 0

TM: 9-2350-253-Series

CHARACTERISTICS

Engine: Continental, AVDS-1790-2C

Type: Diesel, air cooled, V-12

Horsepower: 750 bhp @ 2,400 rpm

Transmission: Allison, CD-850-6A

Type: Cross drive, Single stage

Ranges: Fwd 2, Rev 1

Electrical System: 24 Volt

Brakes: Hydraulic

PERFORMANCE DATA

Fording Depth: 48 in , 96 in W/Kit

Approach Angle:

Maximum Grade Ability: 60 percent

Maximum Vertical Obstacle: 36 in

Maximum Width of Ditch: 102 in

Allowable Speed: 30 mph

Cruising Range: 280 miles

Ground Pressure: 12.1 psi

VEHICLE DATA

Type Classification & Date: Std A, 1978

Life Expectancy: CY2000

Payload: 64,000 lb

Air Transportability: C5A

EQUIPMENT OPTIONS

Armament: 105 mm Gun, 7.62 mm MG,
Cal .50 MG, Cal .45 SubMG

Ammunition: 105 mm, 63 rds; 7.62 mm,
6,00 rds; Cal .50, 900 rds; Cal .45,
360 rds

Communications: Radio sets, Intercom sets

Sighting & Fire Control: Periscopes
W/Mounts, Telescopes W/Mounts, Night
Vision Viewer, Primary Direct, Sec-
ond-Direct, and Indirect Fire Control,
Ballistic Computer and Drive

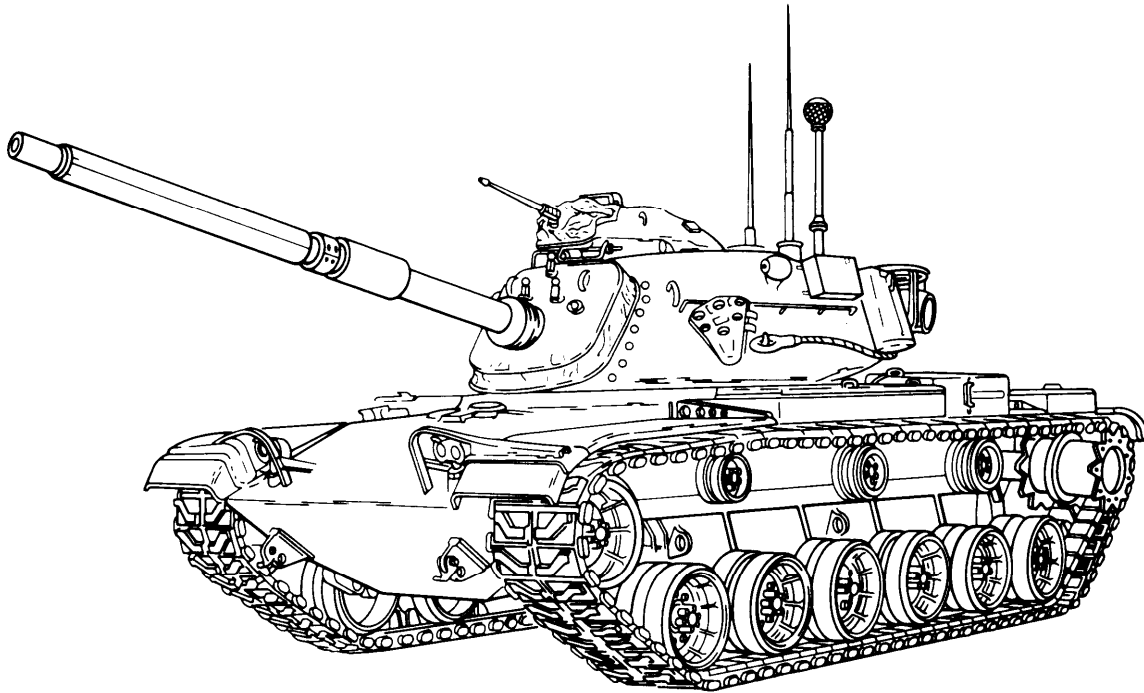
SHIPPING DATA

Weight: 105,060 lb (Unloaded)

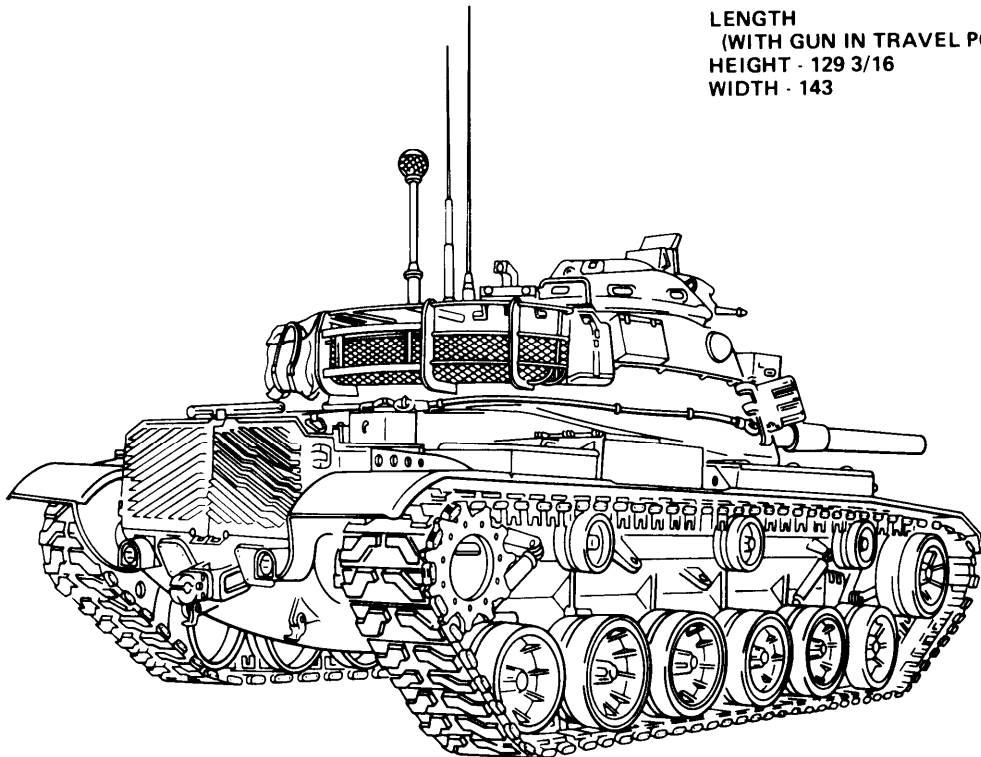
Weight: 113,600 lb (Combat Loaded)

Cube: 3,831 cu ft

Ground Clearance: 18 in



LENGTH
(WITH GUN IN TRAVEL POSITION) - 325
HEIGHT - 129 3/16
WIDTH - 143



NOTE:
ALL DIMENSIONS ARE IN INCHES.

TA208773

PURPOSE: The M60A3 Tank is designed to function as one of the main assault vehicles of an Armor/Mechanized Infantry/Infantry Division. The main armament is capable of defeating enemy armored vehicles and is suitable as an assault weapon in offensive operations. The vehicle can be employed at night and under conditions of limited visibility.

GENERAL INFORMATION

Nomenclature: TANK, COMBAT, FULL
TRACKED: 105 MM Gun

Model Number: M60A3

NSN: 2350-00-148-6548

LIN: V13101

SSN: G8291200K00

TM: 9-2350-253-Series

CHARACTERISTICS

Engine: Continental, AVDS-1790-2C

Type: Diesel, air cooled, V-12

Horsepower: 750 bhp @ 2,400 rpm

Transmission: Allison, CD-850-2A

Type: Cross drive, Single stage

Ranges: Fwd 2, Rev 1

Electrical System: 24 Volt

Brakes: Mechanical, hydraulic

PERFORMANCE DATA

Fording Depth: 48 in , 96 in W/Kit

Approach Angle:

Maximum Grade Ability: 60 percent

Maximum Vertical Obstacle: 36 in

Maximum Width of Ditch: 102 in

Allowable Speed: 30 mph

Cruising Range: 280 mi

Ground Pressure: 12.1 psi

VEHICLE DATA

Type Classification & Date: Std T, 1976

Life Expectancy: CY2000

Payload: 64,000 lb

Air Transportability: C5A

EQUIPMENT OPTIONS

Armament: 105 mm Cannon, 7.62 mm MG,
Cal .50 MG, Cal .45 SubMG

Ammunition: 105 mm, 63 rounds; 7.62 mm,
6,000 rounds; Cal .50, 900 rounds; Cal .45,
360 rounds

Communications: Radio sets, Intercom sets

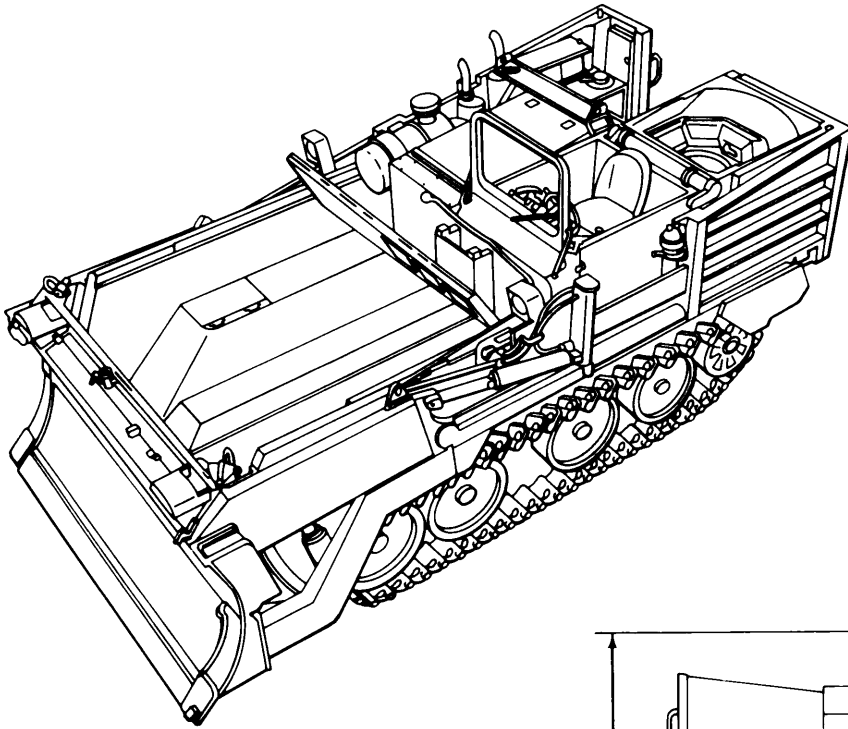
Sighting & Fire Control: Periscopes
W/Mounts, Telescopes W/Mounts, Night
Vision Viewer, Primary Direct, Sec-
ondary Direct, and Indirect Fire Control,
Ballistic Computer and Drive

SHIPPING DATA

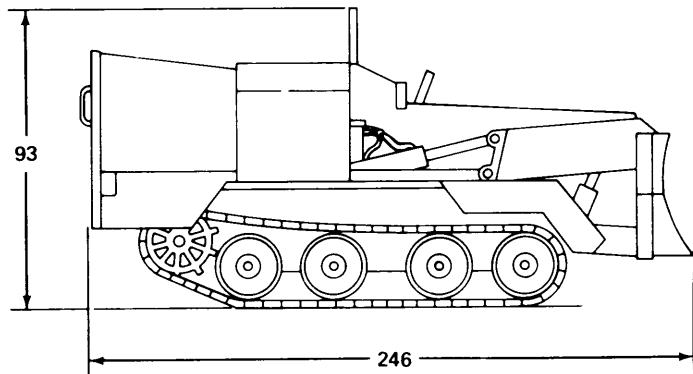
Gross Weight: 113,200 lb (Combat Loaded)

Cube: 3,831 cu ft

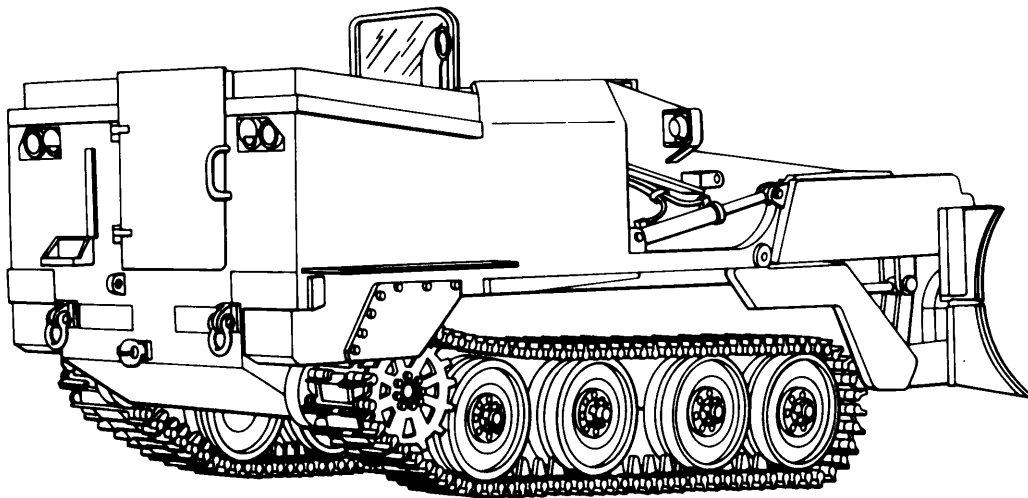
Ground Clearance: 18 in



LENGTH - 246
(DOZER BLADE FOLDED) - 243
HEIGHT
(CANOPY INSTALLED) - 118
(WINDSHIELD STOWED) - 107
WIDTH
(EXTENSIONS INSTALLED) - 126
(EXTENSIONS REMOVED) - 110



NOTE:
ALL DIMENSIONS ARE IN INCHES.



TA209130

PURPOSE: Perform dozing, scraping, rough grading, towing, and limited hauling in areas not quickly accessible to present authorized equipment.

GENERAL INFORMATION

Nomenclature: TRACTOR, FULL TRACKED,
HIGH SPEED: Armored Combat Earthmover
(ACE)

Model Number: M9

NSN: 2350-00-808-7100

LIN: W76463

SSN: M059

TM: 5-2350-262-10-10HR,
-20, -34, -20P, -34P

CHARACTERISTICS

Engine: Cummins, 903

Type: Diesel

Horsepower: 295 bhp @ 2600 rpm

Transmission: Power shift; 6 Fwd, 2 Rev

Electrical System: 24 Volt

PERFORMANCE DATA

Land speed: 30 mph

Swim speed: 3 mph

Cruising range: 200 mi

Drawbar pull: 37,000 lb

Approach Angle: 28 Degrees

Departure Angle: 28 Degrees

Ground Pressure: 9 psi

EQUIPMENT DATA

Type Classification & Date: Std A, 1977

Replaces/Replaced By:

Life Expectancy: 12 Years

Production Year:

Air Transportability:

EQUIPMENT OPTIONS

Winch

SHIPPING DATA

Weight: 34,800 lb. (Combat Loaded)

Cub>:

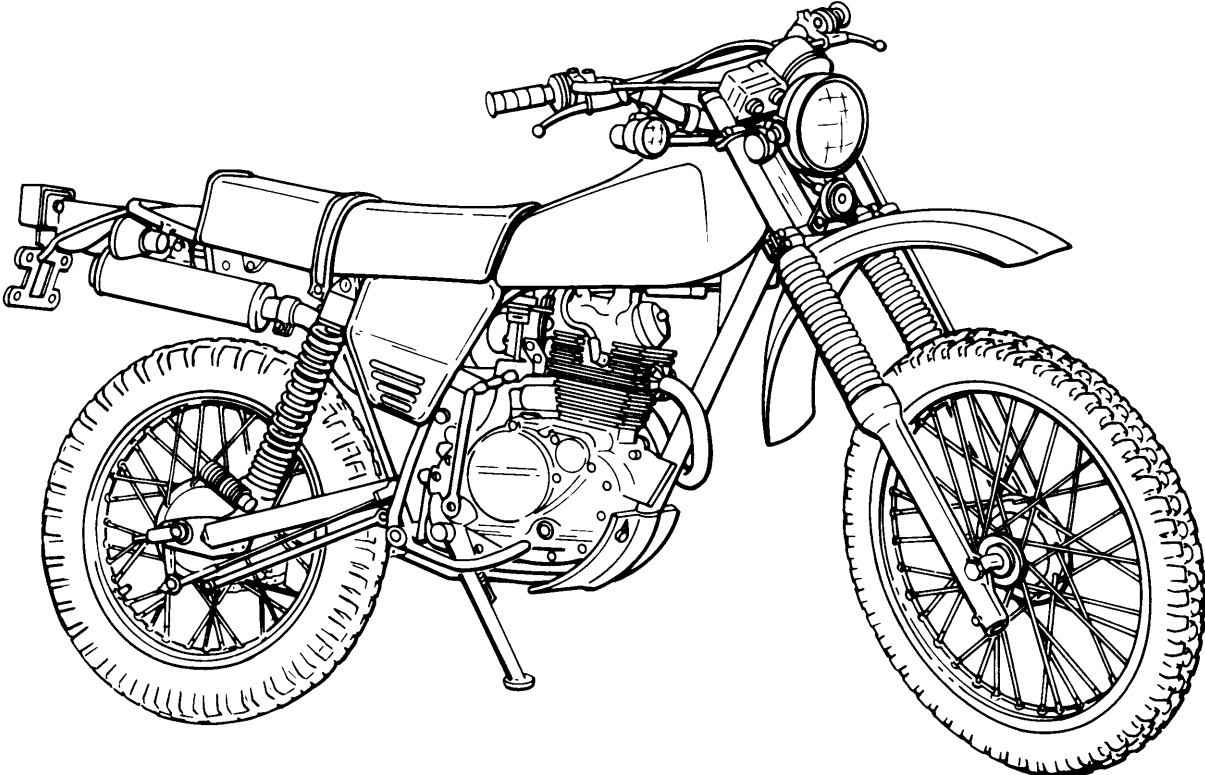
Ground Clearance: 18 in

CONTRACT NUMBER

DAAE07-83-C-R010

MANUFACTURER

Pacific Car & Foundry Co. (PCF)
Division of PACCAR



TA208646

PURPOSE: Messenger service and escort service.

GENERAL INFORMATION

Nomenclature: MOTORCYCLE: GED, 2
Wheel, Rough Terrain

Model Number:

NSN: 2340-24-465-0001

LIN: 244650

SSN: D152000

TM: CML

CHARACTERISTICS

Horsepower:

Transmission: Manual

Electrical System: 12 Volt

Tires: Semi-Knobby

Brakes: Mechanical Drum

Blackout Lights: 12 Volt

PERFORMANCE DATA

Fording:

W/Kit: 18 in

WO/Kit: 18 in

Approach Angle:

VEHICLE DATA

Type Classification & Date: Mar 1983

Replaces/Replaced By:

Life Expectancy: 5 Years

Payload: 40 lb

Towed Load Allowance:

Air Transportability: Phase II

EQUIPMENT OPTIONS

Kits: Rifle Scabbard, PRC-77 Radio Rack,
14 x 11 Carrying Case

SHIPPING DATA

Weight: Dryweight, 300 lb max

Cube: 250 cc.

Ground Clearance:

Fifth Wheel Height:

NATIONAL STOCK NUMBER (NSN) TO LINE ITEM NUMBER (LIN) INDEX

NSN	LIN	PAGE	NSN	LIN	PAGE
1450-00-176-2697	D11681	2-7	2320-00-055-9260	X59326	4-277
1450-00-879-3380	L76750	2-3	2320-00-055-9261	X59463	4-275
1450-01-104-2987	D11681	2-7	2320-00-055-9262	X43708	4-251
1450-01-121-2122	D11668	2-5	2320-00-055-9263	X43845	4-249
2310-00-125-5679	X38562	3-15	2320-00-055-9264	NBOI	4-205
2310-00-177-9256	X38639	3-5	2320-00-055-9265	X40968	4-153
2310-00-542-4634	X38776	3-13	2320-00-055-9266	X40831	4-155
2310-00-579-9078	X38592	3-17	2320-00-064-6373	X55627	4-19
2310-00-782-6056	X38639	3-3	2320-00-073-8251	X60696	4-291
2310-00-832-9907	X38961	3-21	2320-00-073-8476	X41 105	4-173
2310-00-835-8516	X38776	3-11	2320-00-074-1167	X55627	4-21
2310-00-835-8617	X38913	3-9	2320-00-077-1616	X40009	4-81
2310-00-835-8686	X38639	3-7	2320-00-077-1617	X40146	4-79
2310-01-111-2274	T38844	3-25	2320-00-077-1618	X40283	4-89
2310-01-111-2275	T38707	3-23	2320-00-077-1619	X40420	4-87
2310-01-123-2666	T38660	3-19	2320-00-077-1620	KC0230	4-91
2320-00-000-0114	T53858	4-129	2320-00-077-1621	KC0240	4-93
2320-00-045-7131	X43708	4-247	2320-00-077-1622	KC0250	4-97
2320-00-045-7132	X43845	4-245	2320-00-077-1623	KC0250	4-95
2320-00-049-4804	X55627	4-17	2320-00-077-1629	KC0280	4-101
2320-00-050-8841	NBOI	4-207	2320-00-077-1630	KC0290	4-99
2320-00-050-8842	NBOI	4-209	2320-00-077-1631	X57271	4-119
2320-00-050-8890	X40968	4-157	2320-00-077-1632	X57408	4-117
2320-00-050-8902	X40831	4-159	2320-00-077-1633	X58367	4-123
2320-00-050-8905	X40931	4-193	2320-00-077-1634	X58504	4-121
2320-00-050-8913	X40794	4-195	2320-00-077-1636	X62340	4-113
2320-00-050-8927	X39187	4-143	2320-00-077-1637	X62477	4-111
2320-00-050-8941	NBOI	4-211	2320-00-077-1640	X59052	4-133
2320-00-050-8970	X43708	4-255	2320-00-077-1641	X59189	4-131
2320-00-050-8978	X59463	4-279	2320-00-077-1642	X61929	4-137
2320-00-050-8984	X59326	4-281	2320-00-077-1643	X43297	4-105
2320-00-050-8985	NBOI	4-217	2320-00-077-1644	x43434	4-103
2320-00-050-8987	X41242	4-175	2320-00-086-7479	X58326	4-273
2320-00-050-8988	X41 105	4-177	2320-00-086-7480	X59463	4-271
2320-00-050-8989	NBOI	4-219	2320-00-086-7481	X40831	4-151
2320-00-050-9004	X60696	4-293	2320-00-086-7482	X40968	4-149
2320-00-050-9005	NBOI	4-221	2320-00-089-7264	X60967	4-369
2320-00-050-9006	X62237	4-303	2320-00-177-9257	X61244	4-9
2320-00-050-9007		4-307	2320-00-177-9258	X60833	4-7
2320-00-050-9010	X62271	4-305	2320-00-191-1310	X41615	4-333
2320-00-050-9011	NBOI	4-223	2320-00-200-1878	X41 105	4-167
2320-00-050-9015	X56586	4-265	2320-00-219-7340	X41790	4-339
2320-00-051-0489	X63299	4-325	2320-00-391-0570	X41242	4-165
2320-00-051-0585	NBOI	4-213	2320-00-440-8318	X61929	4-135
2320-00-051-0586	NBOI	4-215	2320-00-445-0866	X63299	4-319
2320-00-051-0589	X43845	4-253	2320-00-445-7250	X58078	4-377
2320-00-055-9258	X63299	4-323	2320-00-542-4783	X60833	4-11
2320-00-055-9259	X41242	4-171	2320-00-579-8942	X39432	4-37

**NATIONAL STOCK NUMBER (NSN) TO LINE ITEM NUMBER (LIN) INDEX -
CONTINUED**

NSN	LIN	PAGE	NSN	LIN	PAGE
2320-00-579-8943	X39444	4-39	2320-00-937-4036	X58367	4-127
2320-00-579-8957	X39447	4-41	2320-00-937-5264	X58504	4-125
2320-00-579-8959	X39450	4-43	2320-00-937-5980	X53983	4-107
2320-00-579-8985	X39453	4-45	2320-00-999-8418	X41327	4-201
2320-00-579-8989	X39441	4-47	2320-01-010-4956	X41635	4-335
2320-00-579-8991	X39429	4-31	2320-01-010-4957	X41633	4-337
2320-00-579-9046	X39438	4-33	2320-01-025-3733	T61035	4-383
2320-00-579-9052	X39435	4-35	2320-01-028-4395	T61103	4-359
2320-00-695-9375	X60696	4-317	2320-01-028-4396	T91656	4-365
2320-00-699-3746	X62203	4-139	2320-01-028-4397	T61171	4-367
2320-00-740-0493	X41790	4-341	2320-01-044-0333	Z93998	4-61
2320-00-761-2854	X40794	4-191	2320-01-044-8376	T60353	4-327
2320-00-763-1091	X61244	4-15	2320-01-047-5770	X41242	4-183
2320-00-763-1092	X60833	4-13	2320-01-047-8738		4-235
2320-00-782-5792	X55627	4-23	2320-01-047-8739		4-237
2320-00-782-5793	X55627	4-25	2320-01-047-8741		4-231
2320-00-832-5619	X62081	4-313	2320-01-047-8742		4-233
2320-00-835-8325	X63299	4-315	2320-01-047-8743		4-229
2320-00-835-8326	X59326	4-269	2320-01-047-8744		4-227
2320-00-835-8329	X59463	4-267	2320-01-047-8745		4-239
2320-00-835-8335	X40968	4-145	2320-01-047-8750	X62237	4-309
2320-00-835-8336	X43708	4-243	2320-01-047-8751	X62271	4-311
2320-00-835-8337	X43845	4-241	2320-01-047-8752	X59463	4-285
2320-00-835-8348	X40831	4-147	2320-01-047-8753	X59326	4-283
2320-00-835-8639	X60696	4-289	2320-01-047-8754	X63299	4-261
2320-00-873-5407	X39940	4-57	2320-01-047-8755	X43845	4-259
2320-00-873-5420	X58093	4-375	2320-01-047-8756	X43708	4-257
2320-00-873-5422	X41653	4-331	2320-01-047-8769	X40931	4-199
2320-00-873-5426	X63436	4-355	2320-01-047-8770	X41242	4-179
2320-00-880-4612	X40931	4-185	2320-01-047-8770	X41242	4-183
2320-00-880-4614	X40794	4-187	2320-01-047-8771	X41 105	4-181
2320-00-880-4615	X39187	4-141	2320-01-047-8772	X40968	4-163
2320-00-880-4618	X63299	4-321	2320-01-047-8773	X40831	4-161
2320-00-880-4634	X41242	4-169	2320-01-048-2450	NBOI	4-225
2320-00-880-4642	X62237	4-295	2320-01-050-2084	X40794	4-197
2320-00-880-4646		4-297	2320-01-097-0247	T88677	4-353
2320-00-880-4647	X62271	4-299	2320-01-097-0248	T63093	4-357
2320-00-880-4652	X56586	4-263	2320-01-097-0249	T58161	4-379
2320-00-903-0883	X41310	4-203	2320-01-097-0260	T39518	4-343
2320-00-904-3277	X55216	4-109	2320-01-097-0261	T39654	4-349
2320-00-907-0707		4-301	2320-01-099-6421	T59117	4-351
2320-00-921-6833	X53775	4-59	2320-01-099-6426	T59278	4-345
2320-00-926-0873	X40077	4-85	2320-01-100-7672	T87243	4-381
2320-00-926-0874	X40931	4-189	2320-01-100-7673	T39586	4-347
2320-00-926-0875	X40214	4-83	2320-01-107-7155	T61494	4-63
2320-00-930-1976	X55627	4-27	2320-01-107-7156	T61562	4-65
2320-00-937-1846	X59505	4-287	2320-01-121-2102	T60353	4-329

**NATIONAL STOCK NUMBER (NSN) TO LINE ITEM NUMBER (LIN) INDEX -
CONTINUED**

NSN	LIN	PAGE	NSN	LIN	PAGE
2320-01-123-2665	T05028	4-29	2330-00-649-8124		6-7
2320-01-123-2671	T59346	4-51	2330-00-672-7496		6-15
2320-01-123-6827	T59482	4-49	2330-00-678-3838	S74216	6-17
2320-01-125-2640		4-363	2330-00-679-5582	S73531	6-11
2320-01-127-5077	T59414	4-55	2330-00-705-8932	S74353	6-13
2320-01-128-9551	T92242	4-67	2330-00-706-5495	W95400	7-5
2320-01-128-9552	T92310	4-69	2330-00-709-5848	G35363	5-17
2320-01-133-5368		4-53	2330-00-738-9509	W95537	7-15
2320-01-146-7184		4-73	2330-00-752-9750	S72024	6-53
2320-01-146-7190		4-71	2330-00-752-9751	S74079	6-67
2320-01-146-7191		4-77	2330-00-752-9752	S75175	6-73
2320-01-146-7193	T07543	4-75	2330-00-772-5273	S74490	6-19
2330-00-048-7743	S72024	6-51	2330-00-782-6062	W97729	7-13
2330-00-086-7406		6-37	2330-00-788-6289	S75175	6-75
2330-00-089-3866	W94536	7-45	2330-00-788-6296	S74079	6-69
2330-00-089-7265	S70661	6-85	2330-00-788-6299	S72024	6-55
2330-00-122-6779	S70027	6-77	2330-00-788-6315		6-39
2330-00-133-1731	S70594	6-83	2330-00-797-9207	S72024	6-49
2330-00-141-8049	W98825	7-31	2330-00-832-8801	W98825	7-35
2330-00-141-8050	W95811	7-25	2330-00-835-8631	W95811	7-23
2330-00-141-8052	KC0470	7-27	2330-00-835-8633	W98825	7-29
2330-00-200-1737	W96907	7-49	2330-00-898-6779	W95537	7-17
2330-00-200-1785	W94030	7-19	2330-00-912-4251	G34805	5-5
2330-00-215-4211	W97729	7-11	2330-00-926-7035	S74832	6-21
2330-00-221-4939	G34815	5-9	2330-00-937-1175	G34741	5-7
2330-00-226-6076	G34815	5-3	2330-01-039-8095	S70159	6-81
2330-00-226-6079	S72846	6-57	2330-01-044-1971		7-9
2330-00-226-6080	S72983	6-59	2330-01-046-2855	W95400	7-7
2330-00-269-1673	S75175	6-71	2330-01-050-8810		6-31
2330-00-277-9337	W95811	7-21	2330-01-060-8141	T96975	7-51
2330-00-287-5203	G35226	5-13	2330-01-083-8322		6-33
2330-00-289-7515	S70243	6-47	2330-01-093-8323		6-35
2330-00-317-6448	S70517	6-29	2330-01-108-7367	W98825	7-37
2330-00-331-2307	E02807	7-39	2330-01-110-9281		6-5
2330-00-348-7799		6-29	2330-01-137-5116	W94536	7-47
2330-00-395-1876	S70106	6-41	2330-01-155-0046	S10059	6-61
2330-00-395-1877	S70243	6-45	2330-01-155-0047	S10127	6-65
2330-00-395-1878	W95263	7-41	2330-01-155-0048	S73372	6-63
2330-00-472-9999		6-27	2340-Z4-465-0001	Z44650	8-81
2330-00-542-2039	W98825	7-33	2350-00-071-0732	D10726	8-19
2330-00-542-2831	E02670	7-43	2350-00-076-9002	D10741	8-23
2330-00-542-2980	S70106	6-43	2350-00-078-4545	D11049	8-11
2330-00-542-5709		6-25	2350-00-116-9765	V13101	8-73
2330-00-563-7248	G35226	5-15	2350-00-122-6826	R50681	8-57
2330-00-569-0782	G35089	5-11	2350-00-140-5151	A93125	8-7
2330-00-569-9372	S75038	6-23	2350-00-148-6548	V13101	8-77
2330-00-572-6221	S71887	6-9	2350-00-411-2057	D10990	8-9

**NATIONAL STOCK NUMBER (NSN) TO LINE ITEM NUMBER (LIN) INDEX -
CONTINUED**

NSN	LIN	PAGE	NSN	LIN	PAGE
2350-00-436-6635	J97230	8-45	2350-01-049-2695	C76335	8-37
2350-00-439-6242	R50543	8-55	2350-01-056-6808	D11538	8-15
2350-00-440-8811	K57667	8-47	2350-01-058-9487	V13101	8-69
2350-00-485-9662	K57667	8-49	2350-01-059-1503	V13101	8-71
2350-00-582-5595	V13101	8-63	2350-01-059-1504	V13101	8-61
2350-00-678-5773	V13101	8-65	2350-01-061-2306	T13169	8-75
2350-00-756-8497	V13101	8-67	2350-01-061-2445	T11374	8-59
2350-00-795-1797	E56578	8-33	2350-01-068-4077	D12087	8-29
2350-00-808-7100	W76463	8-79	2350-01-068-4087	D10726	8-21
2350-00-873-5408	A93125	8-5	2350-01-068-4089	D11538	8-17
2350-00-968-6321	D12087	8-27	2350-01-069-6931	D10741	8-25
2350-00-999-4392	J95654	8-41	2350-01-085-3792	C12155	8-31
2350-01-017-2113	J95654	8-43	2350-01-132-9099	Cl 1280	8-13
2350-01-031-8851	K57667	8-51	3805-01-028-4389	X44403	4-361
2350-01-041-4590	K95681	8-53	3895-01-028-4390	G27844	4-371
2350-01-045-1123	E56896	8-35	3895-01-028-4391	T42725	4-373
2350-01-048-5920	J81750	8-39	4940-00-077-1638	K90188	4-115

LINE ITEM NUMBER (LIN) TO NATIONAL STOCK NUMBER (NSN) INDEX

LIN	NSN	PAGE	LIN	NSN	PAGE
A93125	2350-00-873-5408	8-5	L76750	1450-00-879-3380	2-3
A93125	2350-00-140-5151	8-7	NBOI	2320-00-055-9264	4-205
C11280	2350-01-132-9099	8-13	NBOI	2320-00-050-8841	4-207
C12155	2350-01-085-3792	8-31	NBOI	2320-00-050-8842	4-209
C76335	2350-01-049-2695	8-37	NBOI	2320-00-050-8941	4-211
D10726	2350-00-071-0732	8-19	NBOI	2320-00-051-0585	4-213
D10726	2350-01-068-4087	8-21	NBOI	2320-00-051-0586	4-215
D1074I	2350-00-076-9002	8-23	NBOI	2320-00-050-8985	4-217
D10741	2350-01-069-6931	8-25	NBOI	2320-00-050-8989	4-219
D10990	2350-00-411-2057	8-9	NBOI	2320-00-050-9005	4-221
D11049	2350-00-078-4545	8-11	NBOI	2320-00-050-9011	4-223
D11538	2350-01-056-6808	8-15	NBOI	2320-01-048-2450	4-225
D11538	2350-01-068-4089	8-17	R50543	2350-00-439-6242	8-55
D11668	1450-01-121-2122	2-5	R50681	2350-00-122-6826	8-57
D11681	1450-00-176-2697	2-7	S10059	2330-01-155-0046	6-61
D11681	1450-01-104-2987	2-7	S10127	2330-01-155-0047	6-65
D12087	2350-00-968-6231	8-27	S70027	2330-00-122-6779	6-77
D12087	2350-01-068-4077	8-29	S70106	2330-00-395-1876	6-41
E02670	2330-00-542-2831	7-43	S70106	2330-00-542-2980	6-43
E02807	2330-00-331-2307	7-39	S70159	2330-01-039-8095	6-81
E56578	2350-00-795-1797	8-33	S70243	2330-00-395-1877	6-45
E56896	2350-01-045-1123	8-35	S70243	2330-00-289-7515	6-47
G27844	3895-01-028-4390	4-371	S70517	2330-00-317-6448	6-29
G34741	2330-00-937-1175	5-7	S70594	2330-00-133-1731	6-83
G34805	2330-00-912-4251	5-5	S70661	2330-00-089-7265	6-85
G34815	2330-00-226-6076	5-3	S71887	2330-00-572-6221	6-9
G34815	2330-00-221-4939	5-9	S72024	2330-00-797-9207	6-49
G35089	2330-00-569-0782	5-11	S72024	2330-00-048-7743	6-51
G35226	2330-00-287-5203	5-13	S72024	2330-00-752-9750	6-53
G35226	2330-00-563-7248	5-15	S72024	2330-00-788-6299	6-55
G35363	2330-00-709-5848	5-17	S72846	2330-00-226-6079	6-57
J81750	2350-01-048-5920	8-39	S72983	2330-00-226-6080	6-59
J95654	2350-00-999-4392	8-41	S73372	2330-01-155-0048	6-63
J95654	2350-01-017-2113	8-43	S73531	2330-00-679-5582	6-11
J97230	2350-00-436-6635	8-45	S74079	2330-00-752-9751	6-67
K57667	2350-00-440-8811	8-47	S74079	2330-00-788-6296	6-69
K57667	2350-00-485-9662	8-49	S74216	2330-00-678-3838	6-17
K57667	2350-01-031-8851	8-51	S74353	2330-00-705-8932	6-13
K90188	4940-00-077-1638	4-115	S74490	2330-00-772-5273	6-19
K95681	2350-01-041-4590	8-53	S74832	2330-00-926-7035	6-21
KC0230	2320-00-077-1620	4-91	S75038	2330-00-569-9372	6-23
KC0240	2320-00-077-1621	4-93	S75175	2330-00-269-1673	6-71
KC0250	2320-00-077-1623	4-95	S75175	2330-00-752-9752	6-73
KC0250	2320-00-077-1622	4-97	S75175	2330-00-788-6289	6-75
KC0280	2320-00-077-1629	4-101	T05028	2320-01-123-2665	4-29
KC0290	2320-00-077-1630	4-99	T07543	2320-01-146-7193	4-75
KC0470	2330-00-141-8052	7-27	T11374	2350-01-061-2445	8-59
			T13169	2350-01-061-2306	8-75

**LINE ITEM NUMBER (LIN) TO NATIONAL STOCK NUMBER (NSN) INDEX -
CONTINUED**

LIN	NSN	PAGE	LIN	NSN	PAGE
T38660	2310-01-123-2666	3-19	W95811	2330-00-141-8050	7-25
T38707	2310-01-111-2275	3-23	W96907	2330-00-200-1737	7-49
T38844	2310-01-111-2274	3-25	VV97729	2330-00-215-4211	7-11
T39518	2320-01-097-0260	4-343	W97729	2330-00-782-6062	7-13
T39586	2320-01-100-7673	4-347	W98825	2330-00-835-8633	7-29
T39654	2320-01-097-0261	4-349	W98825	2330-00-141-8049	7-31
T42725	3895-01-028-4391	4-373	W98825	2330-00-542-2039	7-33
T53858	2320-00-000-0114	4-129	W98825	2330-00-832-8801	7-35
T58161	2320-01-097-0249	4-379	W98825	2330-01-108-7367	7-37
T59117	2320-01-099-6421	4-351	X38562	2310-00-125-5679	3-15
T59278	2320-01-099-6426	4-345	X38592	2310-00-579-9078	3-17
T59346	2320-01-123-2671	4-51	X38639	2310-00-782-6056	3-3
T59414	2320-01-127-5077	4-55	X38639	2310-00-177-9256	3-5
T59482	2320-01-123-6827	4-49	X38639	2310-00-835-8686	3-7
T60353	2320-01-044-8376	4-327	X38776	2310-00-835-8516	3-11
T60353	2320-01-121-2102	4-329	X38776	2310-00-542-4634	3-13
T61035	2320-01-025-3733	4-383	X38913	2310-00-835-8617	3-9
T61103	2320-01-028-4395	4-359	X38961	2310-00-832-9907	3-21
T61171	2320-01-028-4397	4-367	X39187	2320-00-880-4615	4-141
T61494	2320-01-107-7155	4-63	X39187	2320-00-050-8927	4-143
T61562	2320-01-107-7156	4-65	X39429	2320-00-579-8991	4-31
T63093	2320-01-097-0248	4-357	X39432	2320-00-579-8942	4-37
T87243	2320-01-100-7672	4-381	x39435	2320-00-579-9052	4-35
T88677	2320-01-097-0247	4-353	X39438	2320-00-579-9046	4-33
T91656	2320-01-028-4396	4-365	X39441	2320-00-579-8989	4-47
T92242	2320-01-128-9551	4-67	x39444	2320-00-579-8943	4-39
T92310	2320-01-128-9552	4-69	x39447	2320-00-579-8957	4-41
T96975	2330-01-060-8141	7-51	X39450	2320-00-579-8959	4-43
V13101	2350-01-059-1504	8-61	x39453	2320-00-579-8985	4-45
V13101	2350-00-582-5595	8-63	X39940	2320-00-873-5407	4-57
V13101	2350-00-678-5773	8-65	X40009	2320-00-077-1616	4-81
V13101	2350-00-756-8497	8-67	X40077	2320-00-926-0873	4-85
V13101	2350-01-058-9487	8-69	X40146	2320-00-077-1617	4-79
V13101	2350-01-059-1503	8-71	X40214	2320-00-926-0875	4-83
V13101	2350-00-116-9765	8-73	X40283	2320-00-077-1618	4-89
V13101	2350-00-148-6548	8-77	X40420	2320-00-077-1619	4-87
W76463	2350-00-808-7100	8-79	X40794	2320-00-880-4614	4-187
W94030	2330-00-200-1785	7-19	X40794	2320-00-761-2854	4-191
W94536	2330-00-089-3866	7-45	X40794	2320-00-050-8913	4-195
W94536	2330-01-137-5116	7-47	X40794	2320-01-050-2084	4-197
W95263	2330-00-395-1878	7-41	X40831	2320-00-835-8348	4-147
W95400	2330-00-706-5495	7-5	X40831	2320-00-086-7481	4-151
W95400	2330-01-046-2855	7-7	X40831	2320-00-055-9266	4-155
W95537	2330-00-738-9509	7-15	X40831	2320-00-050-8902	4-159
W95537	2330-00-898-6779	7-17	X40831	2320-01-047-8773	4-161
W95811	2330-00-277-9337	7-21	X40931	2320-00-880-4612	4-185
W95811	2330-00-835-8631	7-23	X40931	2320-00-926-0874	4-189

**LINE ITEM NUMBER (LIN) TO NATIONAL STOCK NUMBER (NSN) INDEX -
CONTINUED**

LIN	NSN	PAGE	LIN	NSN	PAGE
X40931	2320-00-050-8905	4-193	X56586	2320-00-880-4652	4-263
X40931	2320-01-047-8769	4-199	X56586	2320-00-050-9015	4-265
X40968	2320-00-835-8335	4-145	X57271	2320-00-077-1631	4-119
X40968	2320-00-086-7482	4-149	X57408	2320-00-077-1632	4-117
X40968	2320-00-055-9265	4-153	X58078	2320-00-445-7250	4-377
X40968	2320-00-050-8890	4-157	X58093	2320-00-873-5420	4-375
X40968	2320-01-047-8772	4-163	X58367	2320-00-077-1633	4-123
X41105	2320-00-200-1878	4-167	X58367	2320-00-937-4036	4-127
X41105	2320-00-073-8476	4-173	X58504	2320-00-077-1634	4-121
X41105	2320-00-050-8988	4-177	X58504	2320-00-937-5264	4-125
X41105	2320-01-047-8771	4-181	X59052	2320-00-077-1640	4-133
X41242	2320-00-391-0570	4-165	X59189	2320-00-077-1641	4-131
X41242	2320-00-880-4634	4-169	X59326	2320-00-835-8326	4-269
X41242	2320-00-055-9259	4-171	X59326	2320-00-086-7479	4-273
X41242	2320-00-050-8987	4-175	X59326	2320-00-055-9260	4-277
X41242	2320-01-047-8770	4-179	X59326	2320-00-050-8984	4-281
X41242	2320-01-047-8770	4-183	X59326	2320-01-047-8753	4-283
X41310	2320-00-903-0883	4-203	X59463	2320-00-835-8329	4-267
X41327	2320-00-999-8418	4-201	X59463	2320-00-086-7480	4-271
X41615	2320-00-191-1310	4-333	X59463	2320-00-055-9261	4-275
X41633	2320-01-010-4957	4-337	X59463	2320-00-050-8978	4-279
X41635	2320-01-010-4956	4-335	X59463	2320-01-047-8752	4-285
X41653	2320-00-873-5422	4-331	X59505	2320-00-937-1846	4-287
X41790	2320-00-219-7340	4-339	X60696	2320-00-835-8639	4-289
X41790	2320-00-740-0493	4-341	X60696	2320-00-073-8251	4-291
X43297	2320-00-077-1643	4-105	X60696	2320-00-050-9004	4-293
X43434	2320-00-077-1644	4-103	X60696	2320-00-695-9375	4-317
X43708	2320-00-835-8336	4-243	X60833	2320-00-177-9258	4-7
X43708	2320-00-045-7131	4-247	X60833	2320-00-542-4783	4-11
X43708	2320-00-055-9262	4-251	X60833	2320-00-763-1092	4-13
X43708	2320-00-050-8970	4-255	X60967	2320-00-089-7264	4-369
X43708	2320-01-047-8756	4-257	X61 244	2320-00-177-9257	4-9
X43845	2320-00-835-8337	4-241	X61244	2320-00-763-1091	4-15
X43845	2320-00-045-7132	4-245	X61929	2320-00-440-8318	4-135
X43845	2320-00-055-9263	4-249	X61929	2320-00-077-1642	4-137
X43845	2320-00-051-0589	4-253	X62081	2320-00-832-5619	4-313
X43845	2320-01-047-8755	4-259	X62203	2320-00-699-3746	4-139
X44403	3805-01-028-4389	4-361	X62237	2320-00-880-4642	4-295
X53775	2320-00-921-6833	4-59	X62237	2320-00-050-9006	4-303
X53983	2320-00-937-5980	4-107	X62237	2320-01-047-8750	4-309
X55216	2320-00-904-3277	4-109	X62271	2320-00-880-4647	4-299
X55627	2320-00-049-4804	4-17	X62271	2320-00-050-9010	4-305
X55627	2320-00-064-6373	4-19	X62271	2320-01-047-8751	4-311
X55627	2320-00-074-1167	4-21	X62340	2320-00-077-1636	4-113
X55627	2320-00-782-5792	4-23	X62477	2320-00-077-1637	4-111
X55627	2320-00-782-5793	4-25	X63299	2320-01-047-8754	4-261
X55627	2320-00-930-1976	4-27	X63299	2320-00-835-8325	4-315

LINE ITEM NUMBER (LIN) TO NATIONAL STOCK NUMBER (NSN) INDEX -
CONTINUED

LIN	NSN	PAGE	LIN	NSN	PAGE
X63299	2320-00-445-0866	4-319	X63436	2320-00-873-5426	4-355
X63299	2320-00-880-4618	4-321	Z44650	2340-Z4-465-0001	8-81
X63299	2320-00-055-9258	4-323	Z93998	2320-01-044-0333	4-61
X63299	2320-00-051-0489	4-325			

By Order of the Secretary of the Army:

JOHN A. WICKHAM, JR.
General, United States Army
Chief of Staff

Official:

DONALD J. DELANDRIO
Brigadier General, United States Army
The Adjutant General!

Distribution:

To be distributed in accordance with DA Form 12-38, requirements for TM 43-0001-31.



THEN... JOT DOWN THE DOPE ABOUT IT ON THIS FORM. CAREFULLY TEAR IT OUT. FOLD IT AND DROP IT IN THE MAIL!

SOMETHING WRONG WITH THIS PUBLICATION?

FROM (PRINT YOUR UNIT'S COMPLETE ADDRESS)

YOUR MAILING ADDRESS

DATE SENT

PUBLICATION NUMBER

PUBLICATION DATE
June 85

PUBLICATION TITLE

BE EXACT PIN-POINT WHERE IT IS

PAGE NO	PARA-GRAPH	FIGURE NO	TABLE NO
9		2	

IN THIS SPACE TELL WHAT IS WRONG AND WHAT SHOULD BE DONE ABOUT IT:

Item 2, when ordered from the parts list, does not come as a flat washer. Please give the correct P/N for the flat washer.

SAMPLE

PRINTED NAME GRADE OR TITLE AND TELEPHONE NUMBER

SIGN HERE



THEN... JOT DOWN THE DOPE ABOUT IT ON THIS FORM. CAREFULLY TEAR IT OUT. FOLD IT AND DROP IT IN THE MAIL!

SOMETHING WRONG WITH THIS PUBLICATION?

FROM (PRINT YOUR UNIT'S COMPLETE ADDRESS)

DATE SENT

PUBLICATION NUMBER

PUBLICATION DATE

PUBLICATION TITLE

June 85

BE EXACT PIN-POINT WHERE IT IS

PAGE NO

PARA-GRAPH

FIGURE NO

TABLE NO

IN THIS SPACE TELL WHAT IS WRONG AND WHAT SHOULD BE DONE ABOUT IT:

PRINTED NAME GRADE OR TITLE AND TELEPHONE NUMBER

SIGN HERE

FILL IN YOUR
UNIT'S ADDRESS

FOLD BACK

DEPARTMENT OF THE ARMY

OFFICIAL BUSINESS

Commander
US Army Tank-Automotive Command
ATTN: DRSTA-MB
Warren, MI 48397-5000

TEAR ALONG PERFORATED LINE

THE METRIC SYSTEM AND EQUIVALENTS

LINEAR MEASURE

1 Centimeter=10 Millimeters=0.01 Meters=0.3937 Inches
 1 Meter=100 Centimeters=1000 Millimeters=39.37 Inches
 1 Kilometer=1000 Meters=0.621 Miles

WEIGHTS

1 Gram=0.001 Kilograms=1000 Milligrams=0.035 Ounces
 1 Kilogram=1000 Grams=2.2 Lb
 1 Metric Ton=1000 Kilograms=1 Megagram=1.1 Short Tons

LIQUID MEASURE

1 Milliliter=0.001 Liters=0.0338 Fluid Ounces
 1 Liter=1000 Milliliters=33.82 Fluid Ounces

SQUARE MEASURE

1 Sq Centimeter=100 Sq Millimeters=0.155 Sq Inches
 1 Sq Meter=10,000 Sq Centimeters=10.76 Sq Feet
 1 Sq Kilometer=1,000,000 Sq Meters=0.386 Sq Miles

CUBIC MEASURE

1 Cu Centimeter=1000 Cu Millimeters=0.06 Cu Inches
 1 Cu Meter=1,000,000 Cu Centimeters=35.31 Cu Feet

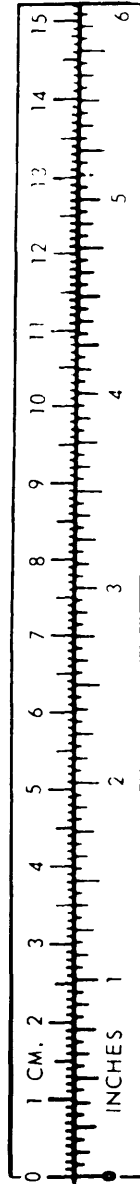
TEMPERATURE

$5/9 (°F - 32) = °C$
 212° Fahrenheit is equivalent to 100° Celsius
 90° Fahrenheit is equivalent to 32.2° Celsius
 32° Fahrenheit is equivalent to 0° Celsius
 $9/5 C° + 32 = F°$

APPROXIMATE CONVERSION FACTORS

<u>TO CHANGE</u>	<u>TO</u>	<u>MULTIPLY BY</u>
Inches	Centimeters	2.540
Feet	Meters	0.305
Yards	Meters	0.914
Miles	Kilometers	1.609
Square Inches	Square Centimeters	6.451
Square Feet	Square Meters	0.093
Square Yards	Square Meters	0.836
Square Miles	Square Kilometers	2.590
Acres	Square Hectometers	0.405
Cubic Feet	Cubic Meters	0.028
Cubic Yards	Cubic Meters	0.765
Fluid Ounces	Milliliters	29.573
Pints	Liters	0.473
Quarts	Liters	0.946
Gallons	Liters	3.785
Ounces	Grams	28.349
Pounds	Kilograms	0.454
Short Tons	Metric Tons	0.907
Pound-Feet	Newton-Meters	1.356
Pounds per Square Inch	Kilopascals	6.895
Miles per Gallon	Kilometers per Liter	0.425
Miles per Hour	Kilometers per Hour	1.609

<u>TO CHANGE</u>	<u>TO</u>	<u>MULTIPLY BY</u>
Centimeters	Inches	0.394
Meters	Feet	3.280
Meters	Yards	1.094
Kilometers	Miles	0.621
Square Centimeters	Square Inches	0.155
Square Meters	Square Feet	10.764
Square Meters	Square Yards	1.196
Square Kilometers	Square Miles	0.386
Square Hectometers	Acres	2.471
Cubic Meters	Cubic Feet	35.315
Cubic Meters	Cubic Yards	1.308
Milliliters	Fluid Ounces	0.034
Liters	Pints	2.113
Liters	Quarts	1.057
Liters	Gallons	0.264
Grams	Ounces	0.035
Kilograms	Pounds	2.205
Metric Tons	Short Tons	1.102
Newton-Meters	Pound-Feet	0.738
Kilopascals	Pounds per Square Inch	0.145
Kilometers per Liter	Miles per Gallon	2.354
Kilometers per Hour	Miles per Hour	0.621



TAO89991

(FOR REFERENCE ONLY)

PIN: 034052-000